



US00D384134S

United States Patent [19] Robbins

[11] Patent Number: **Des. 384,134**

[45] Date of Patent: ****Sep. 23, 1997**

[54] **PLUMBING SPOUT**

[75] Inventor: **Tom E. Robbins, San Leandro, Calif.**

[73] Assignee: **Kallista, Inc., San Leandro, Calif.**

[**] Term: **14 Years**

[21] Appl. No.: **56,838**

[22] Filed: **Jul. 15, 1996**

Related U.S. Application Data

[62] Division of Ser. No. 38,033, Apr. 26, 1995, Pat. No. Des. 375,149.

[51] LOC (6) Cl. **23-01**

[52] U.S. Cl. **D23/257**

[58] Field of Search D2/238-243, 250-257;
4/675-678; 132/821

[56] References Cited

U.S. PATENT DOCUMENTS

D. 235,093	5/1975	Doman	D23/257
D. 235,099	5/1975	Doman	D23/257
D. 263,991	4/1982	Fleischman et al.	D23/257
D. 287,272	12/1986	Piesco	D23/257
D. 314,813	2/1991	Jans	D23/257
D. 322,841	12/1991	Kohler, Jr. et al.	D23/255
D. 342,308	12/1993	McKeone	D23/257
D. 361,624	8/1995	Fabian	D23/257

OTHER PUBLICATIONS

Undated Kallista ad showing Athos Select faucets.
Undated Kohler ad showing Coralais faucets (items D and E).

Primary Examiner—Stella Reid
Assistant Examiner—Eric Watterson
Attorney, Agent, or Firm—Quarles & Brady

[57] CLAIM

The ornamental design for a plumbing spout, as shown and described.

DESCRIPTION

FIG. 1 is a right, top, frontal perspective view of a plumbing spout embodying my new design;

FIG. 2 is a top plan view thereof;

FIG. 3 is a bottom plan view thereof;

FIG. 4 is a right side elevational view thereof, the left side elevational view being the mirror image of the right side shown;

FIG. 5 is a front elevational view thereof;

FIG. 6 is a rear elevational view thereof;

FIG. 7 is a right, top, frontal perspective view of a second embodiment thereof having top and bottom plan views identical to the top and bottom plan views of the first embodiment shown in FIGS. 2 and 3;

FIG. 8 is a right side elevational view thereof, the left side elevational view being the mirror image of the right side shown;

FIG. 9 is a front elevational view thereof; and,

FIG. 10 is a rear elevational view.

1 Claim, 4 Drawing Sheets

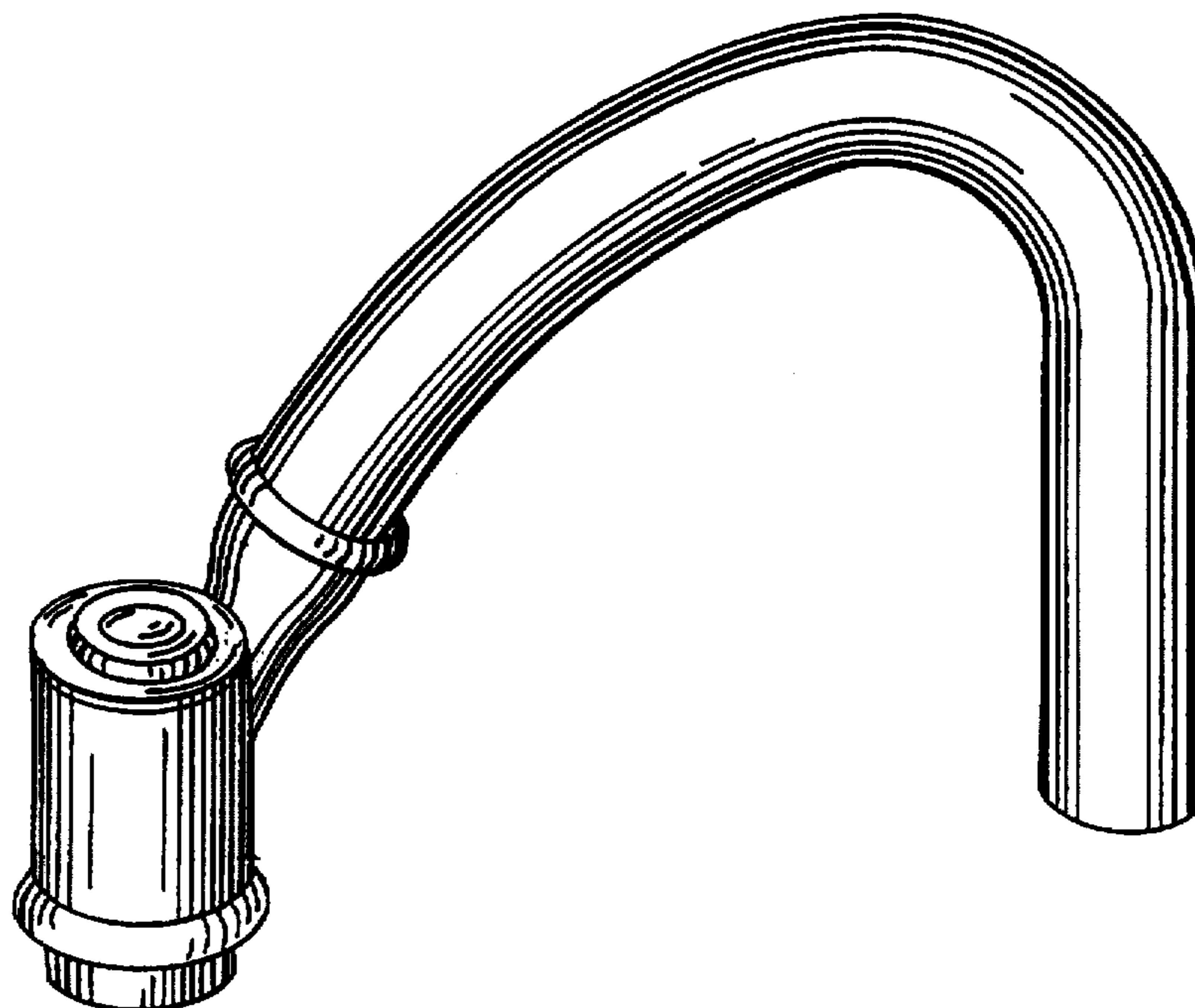


FIG. 1

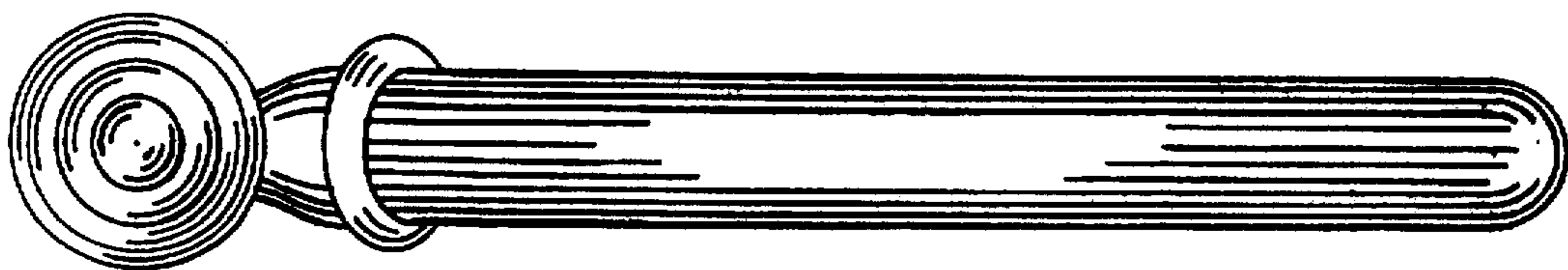
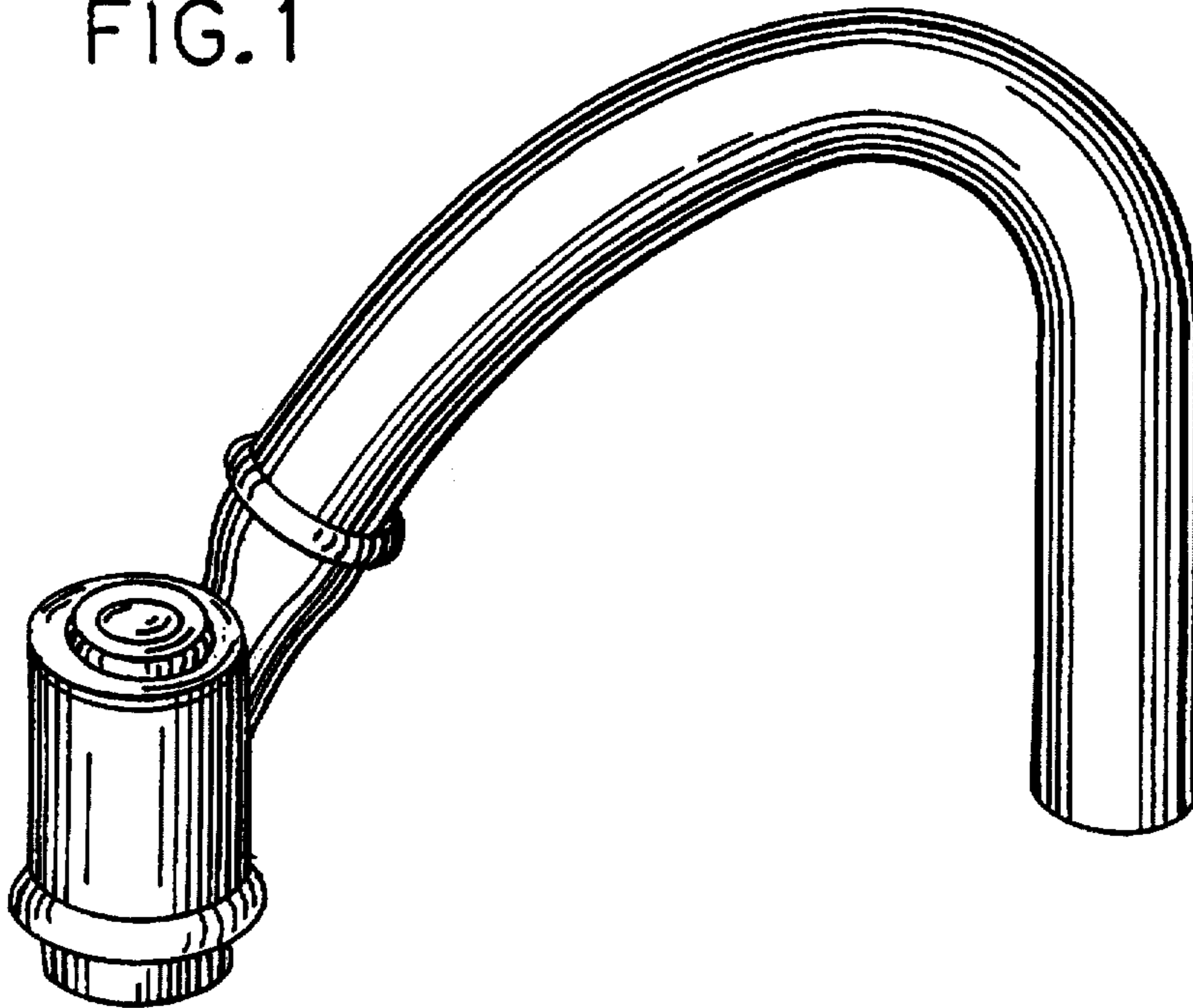


FIG. 2

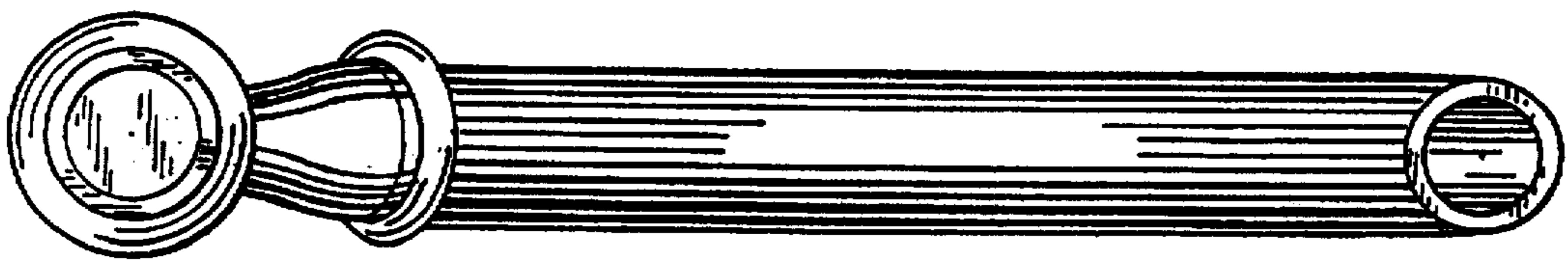


FIG. 3

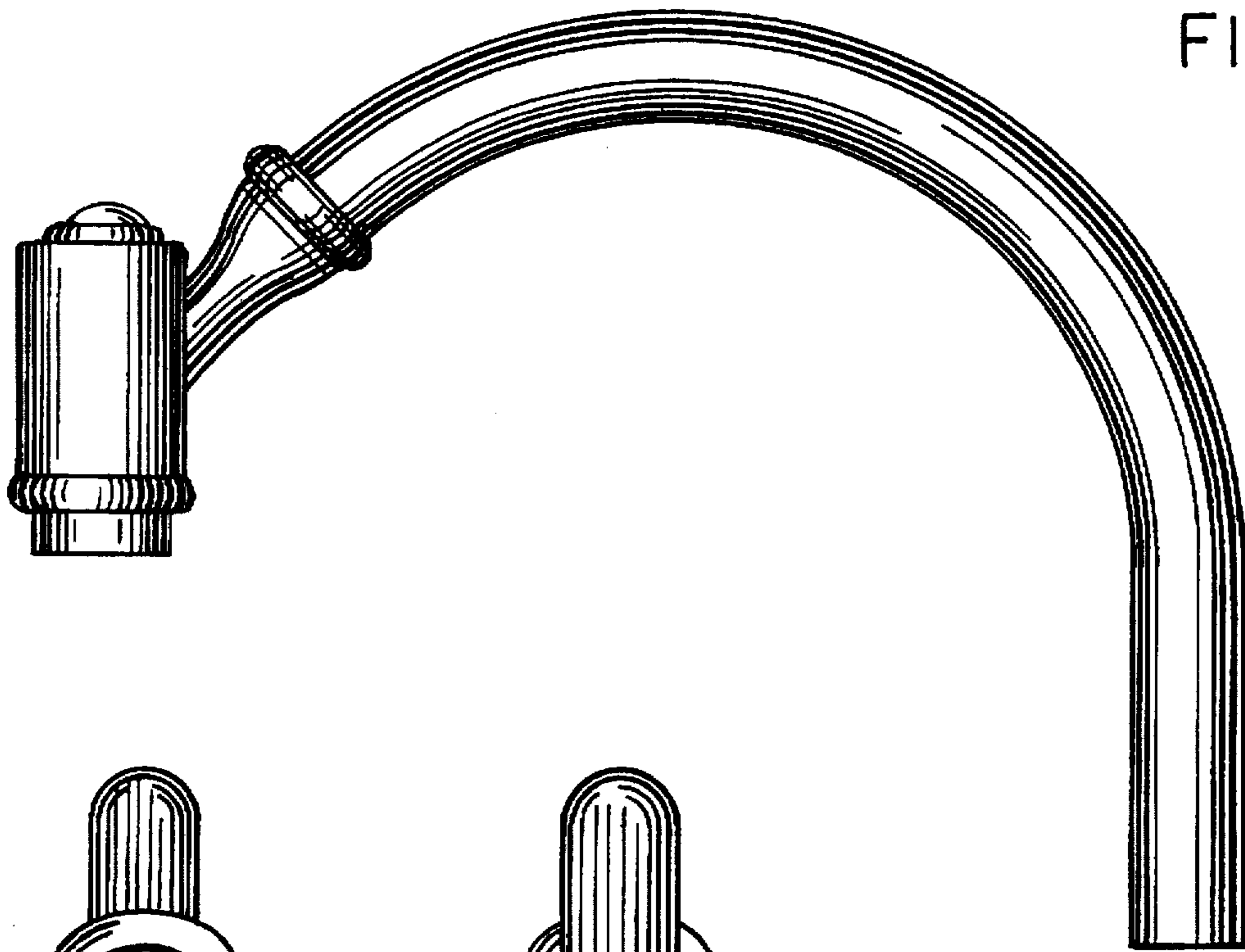


FIG. 4

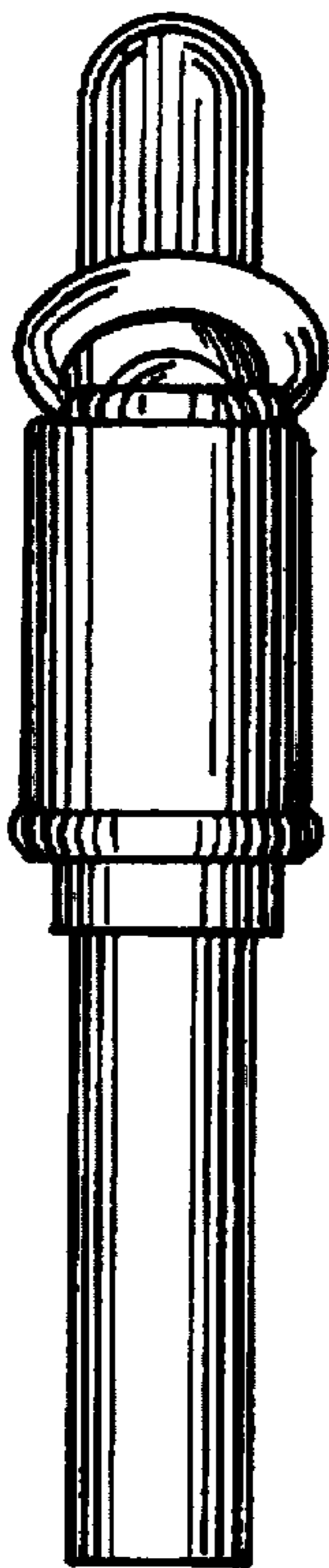


FIG. 5

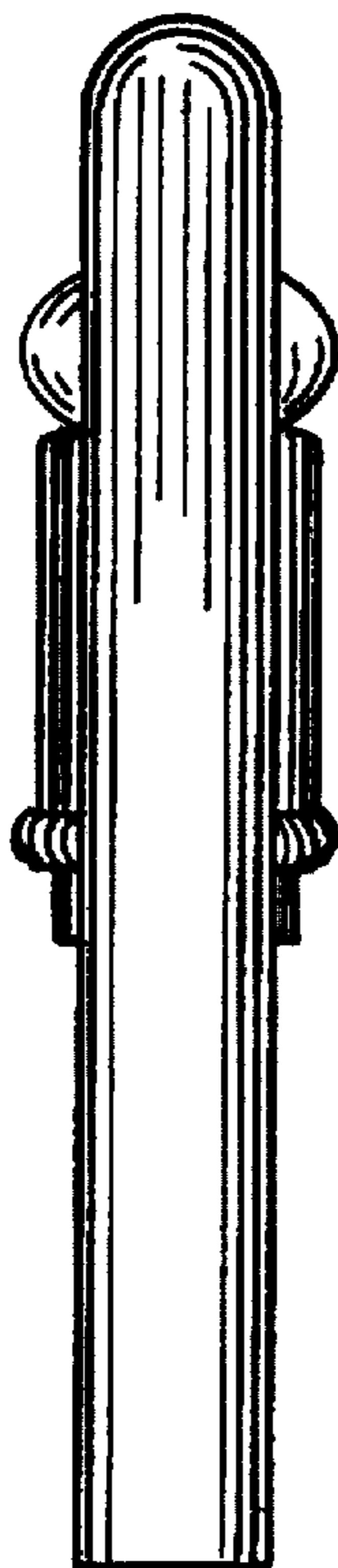


FIG. 6

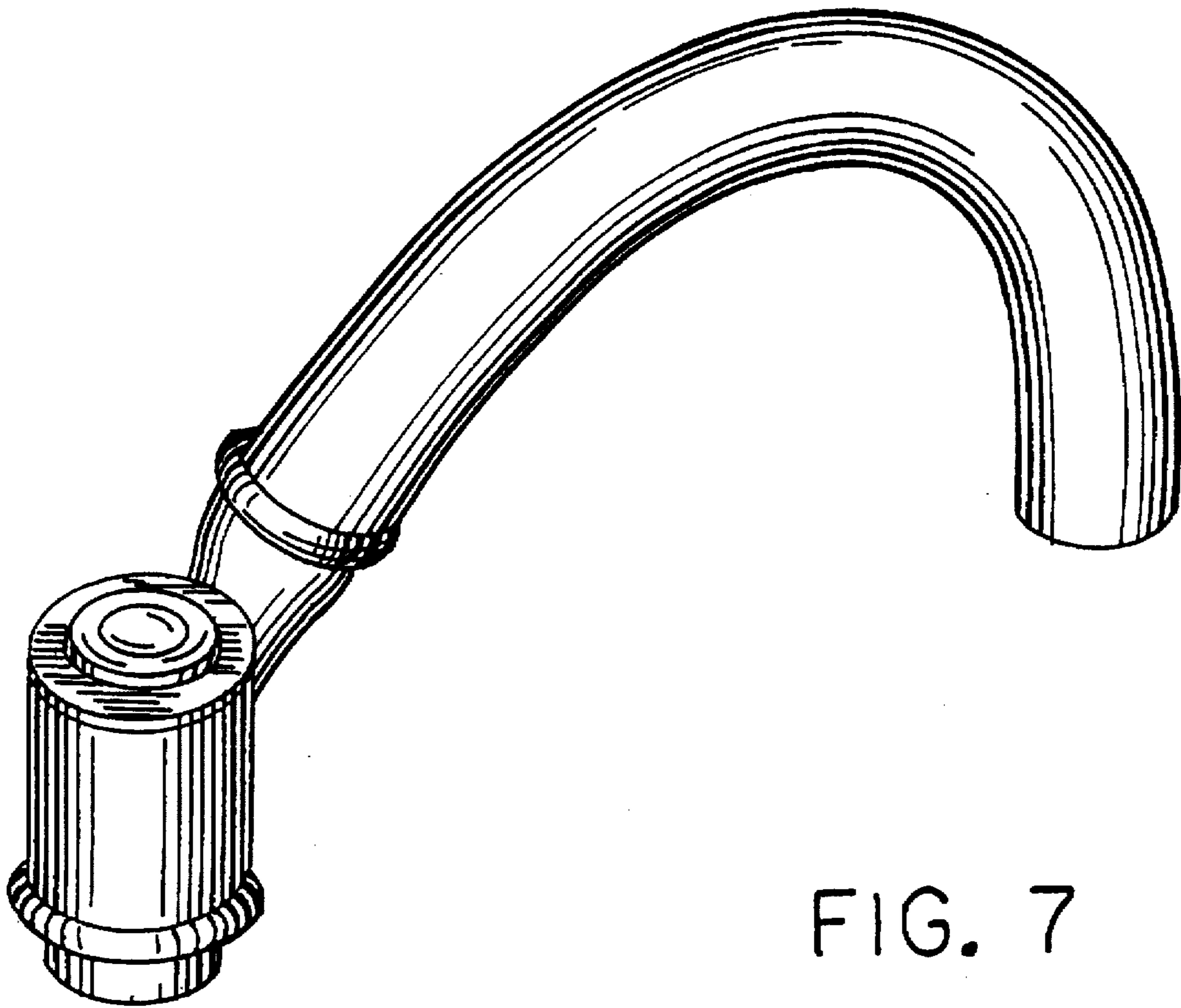


FIG. 7

FIG. 8

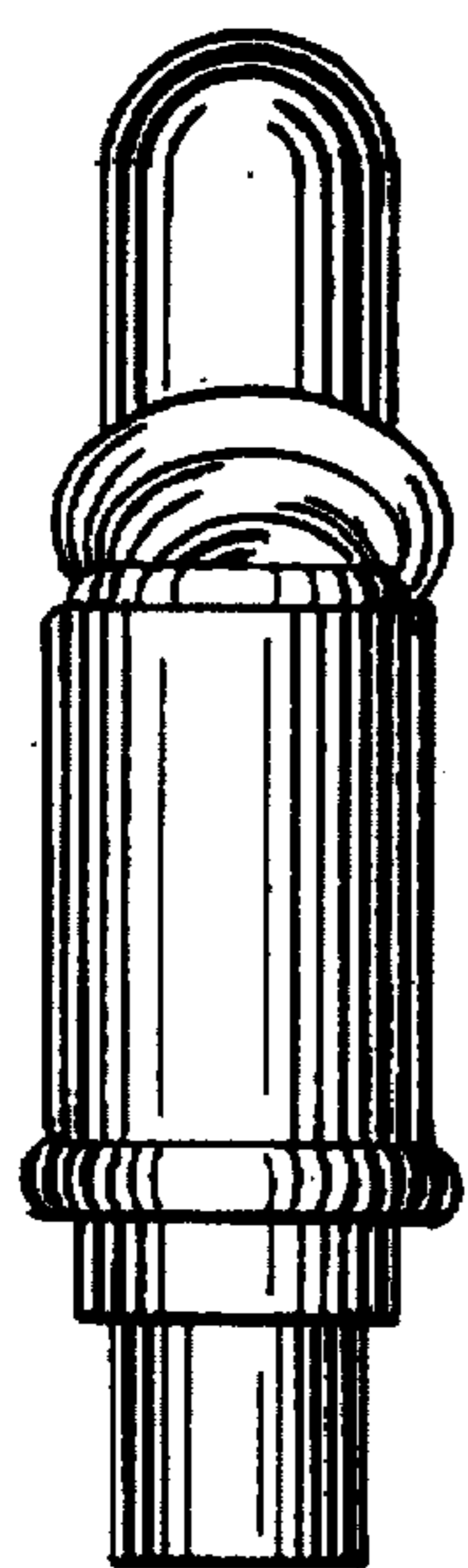
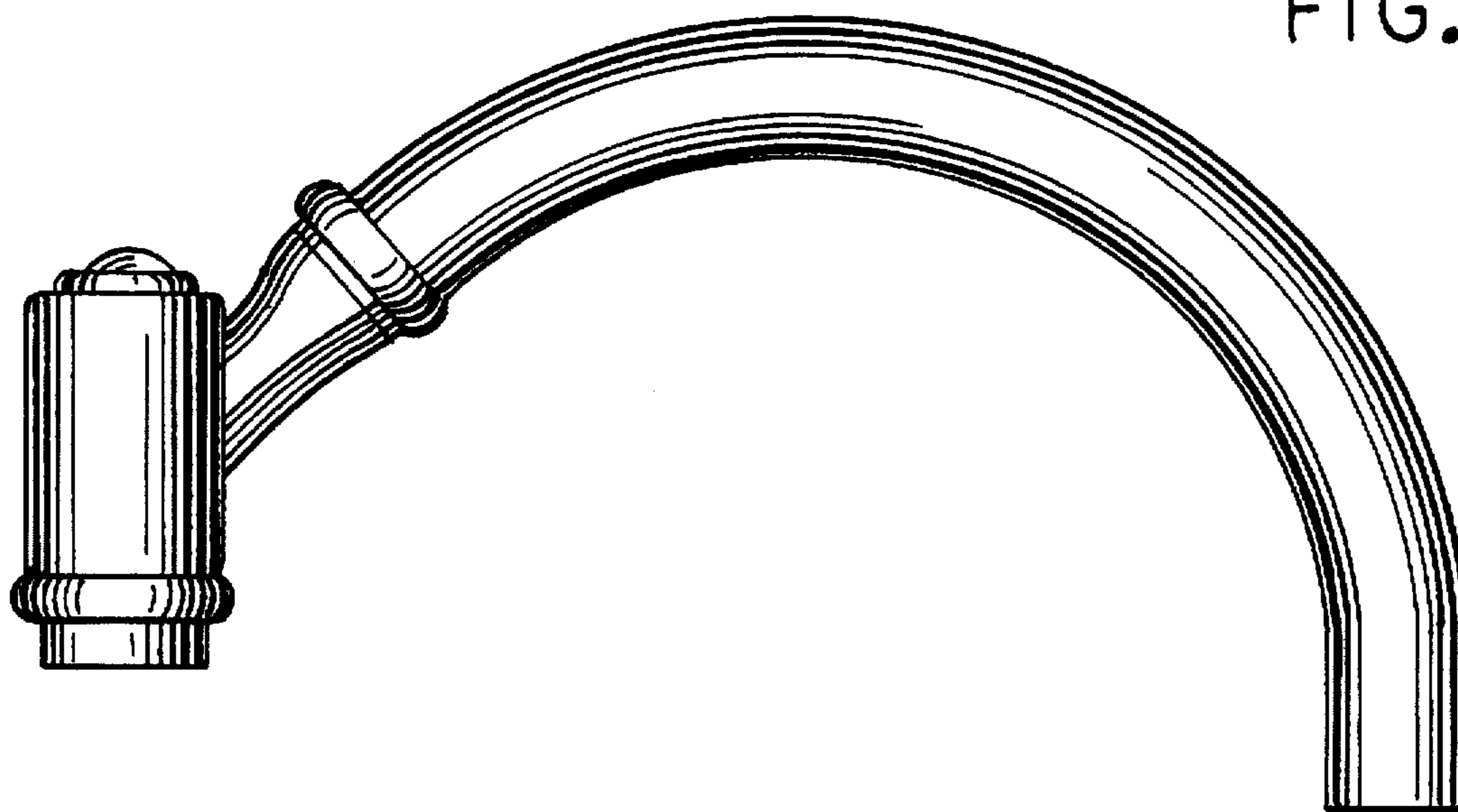


FIG. 9



FIG. 10