



US00D384132S

United States Patent [19]

[11] Patent Number: Des. 384,132

Doughty et al.

[45] Date of Patent: ***Sep. 23, 1997

[54] FAUCET

[75] Inventors: **Frederic C. Doughty**, S. Pasadena;
Darren M. Mark, Castaic, both of Calif.

[73] Assignee: **Emhart Inc.**, Newark, Del.

[*] Notice: The portion of the term of this patent subsequent to Jul. 22, 2011, has been disclaimed.

[**] Term: 14 Years

[21] Appl. No.: 44,375

[22] Filed: Sep. 22, 1995

[51] LOC (6) Cl. 23-01

[52] U.S. Cl. D23/241

[58] Field of Search D23/238-243,
D23/250-257; D8/300, 307, 310, 312; 4/675-678;
137/801

[56] **References Cited**

U.S. PATENT DOCUMENTS

- D. 176,447 3/1955 Yost .
- D. 276,259 11/1984 Miller .
- D. 285,106 8/1986 Yost .

- D. 288,318 2/1987 Yost .
- D. 288,836 3/1987 Yost .
- D. 290,388 6/1987 Yost .
- D. 293,362 12/1987 Hill et al. .
- D. 295,551 5/1988 Yost .
- D. 321,750 11/1991 Spangler .
- D. 359,342 6/1995 Doughty .
- D. 363,974 11/1995 Doughty et al. .

Primary Examiner—Louis S. Zarfus
Assistant Examiner—Eric Watterson
Attorney, Agent, or Firm—J. Bruce Hoofnagle

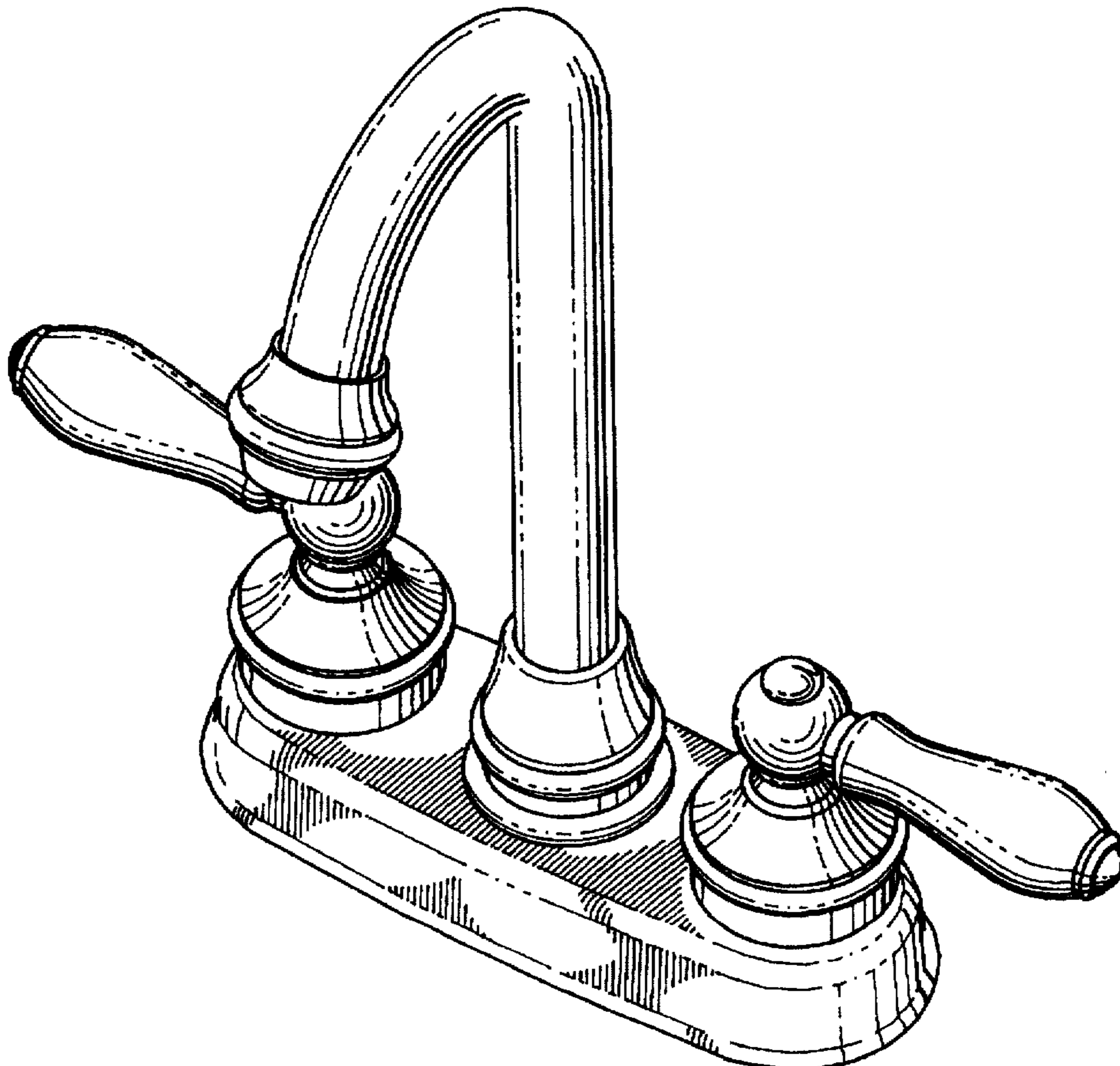
[57] **CLAIM**

The ornamental design for faucet, as shown and described.

DESCRIPTION

FIG. 1 is a perspective view of our new design of a faucet;
 FIG. 2 is a front elevational view of our new design of the faucet;
 FIG. 3 is a rear elevational view of our new design of the faucet;
 FIG. 4 is a right side elevational view of our new design of the faucet, a left side elevational view thereof being a mirror image of the right side elevational thereof;
 FIG. 5 is a top plan view of our new design of the faucet;
 and,
 FIG. 6 is a bottom plan view of our new design of the faucet.

1 Claim, 4 Drawing Sheets



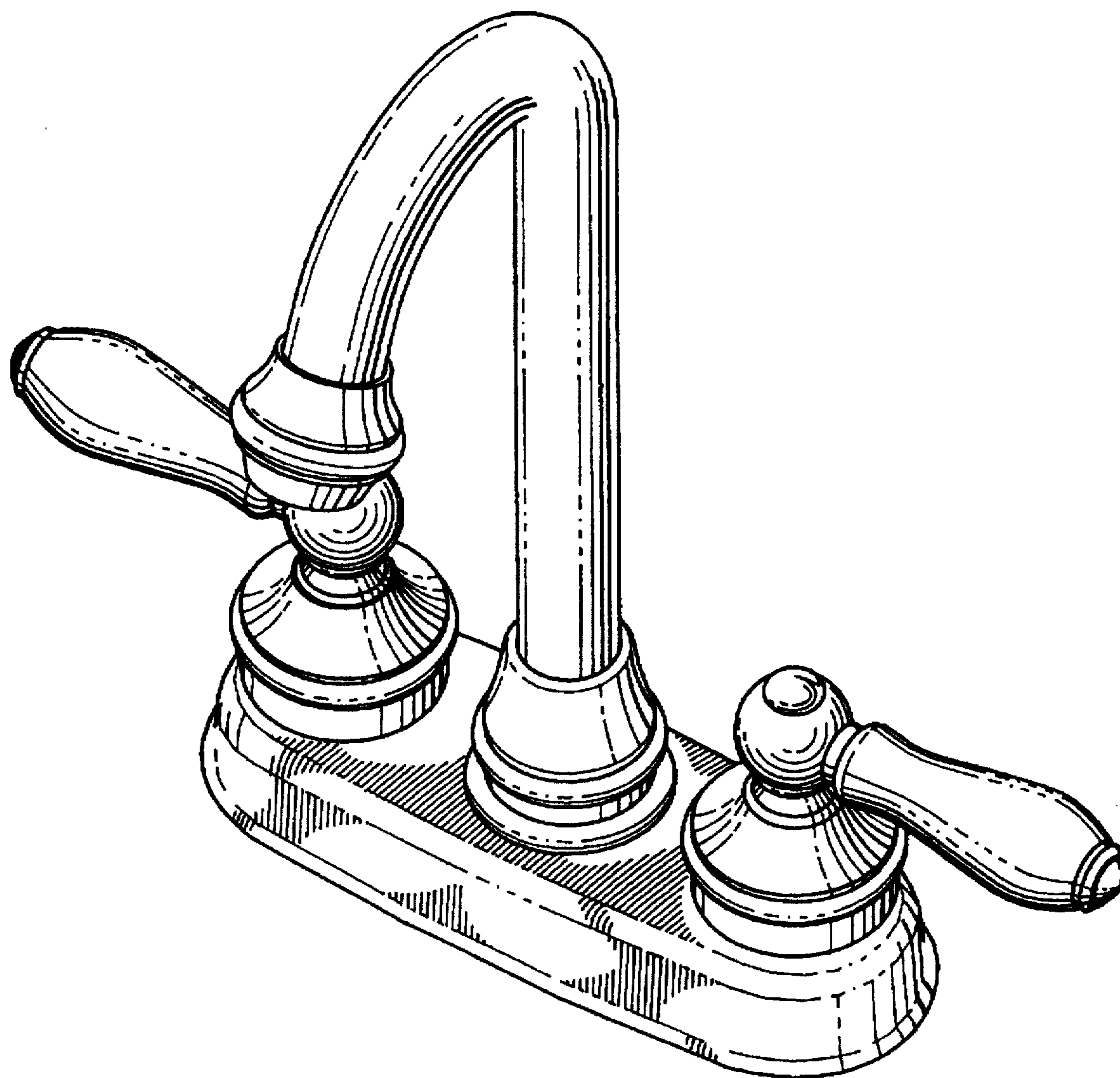


FIG. 1

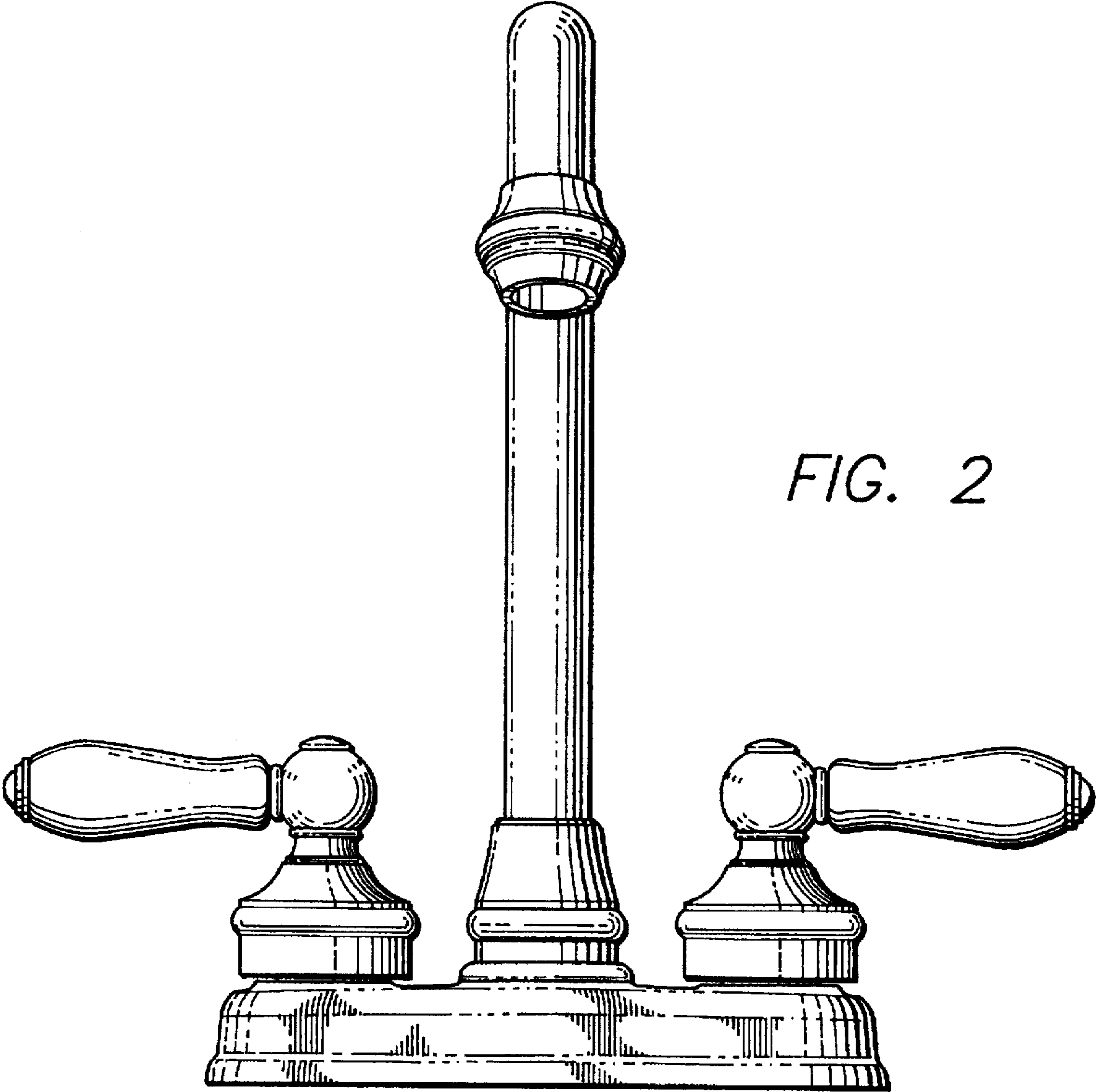


FIG. 2

FIG. 4

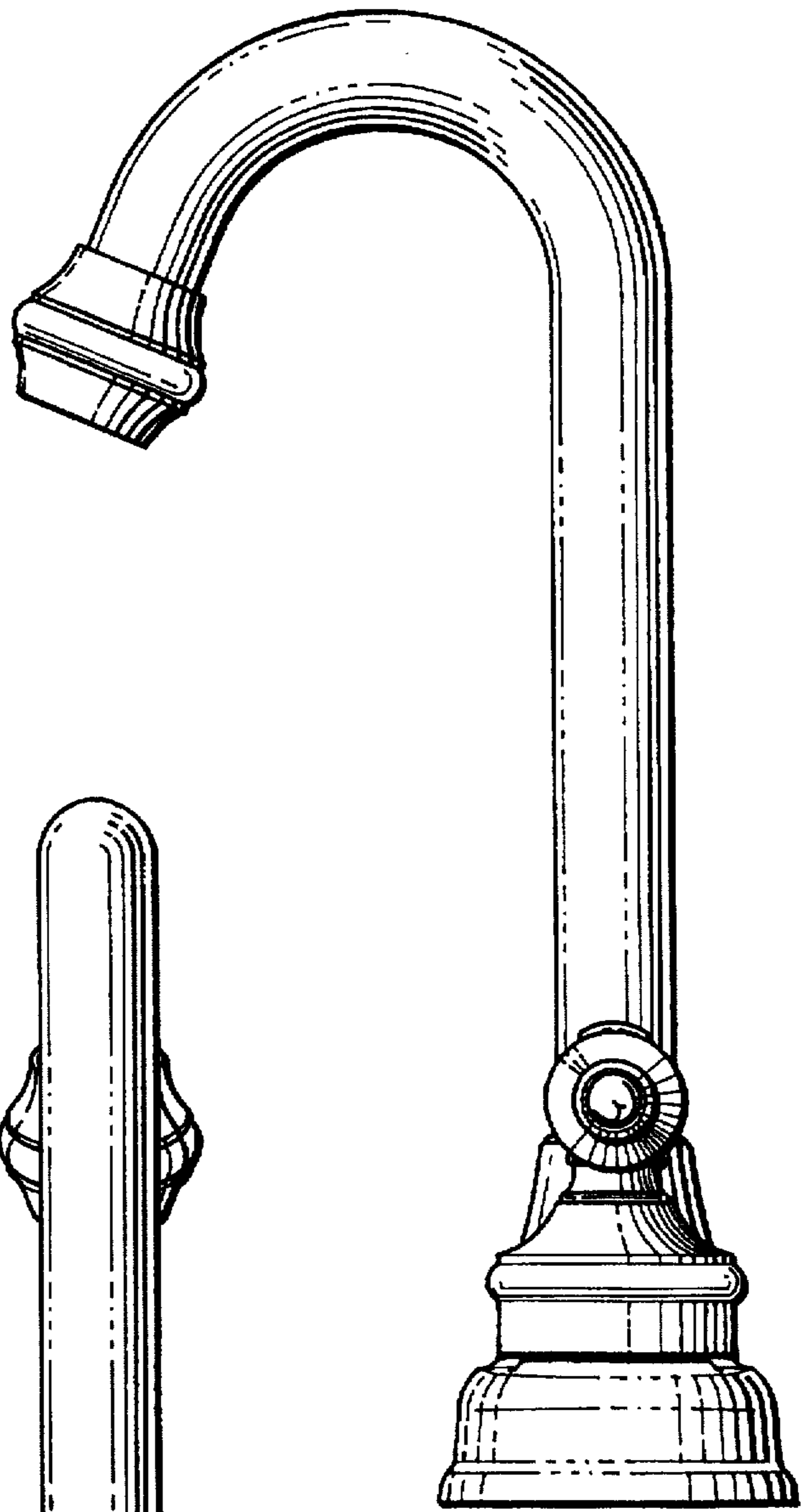


FIG. 3

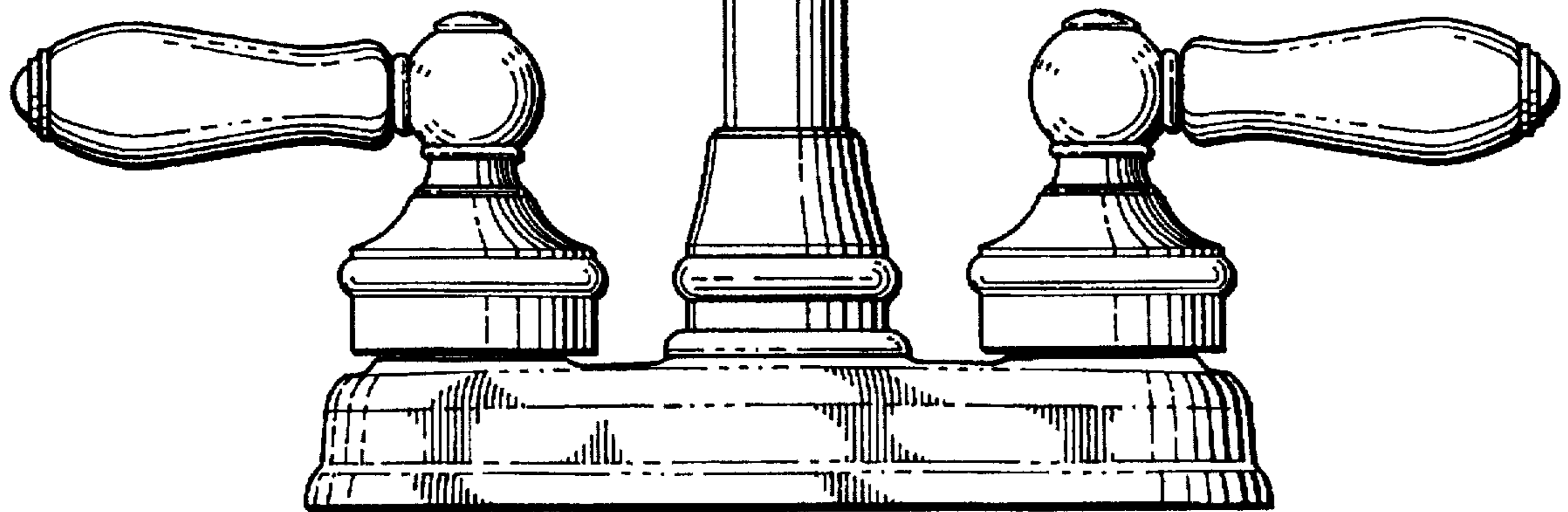


FIG. 5

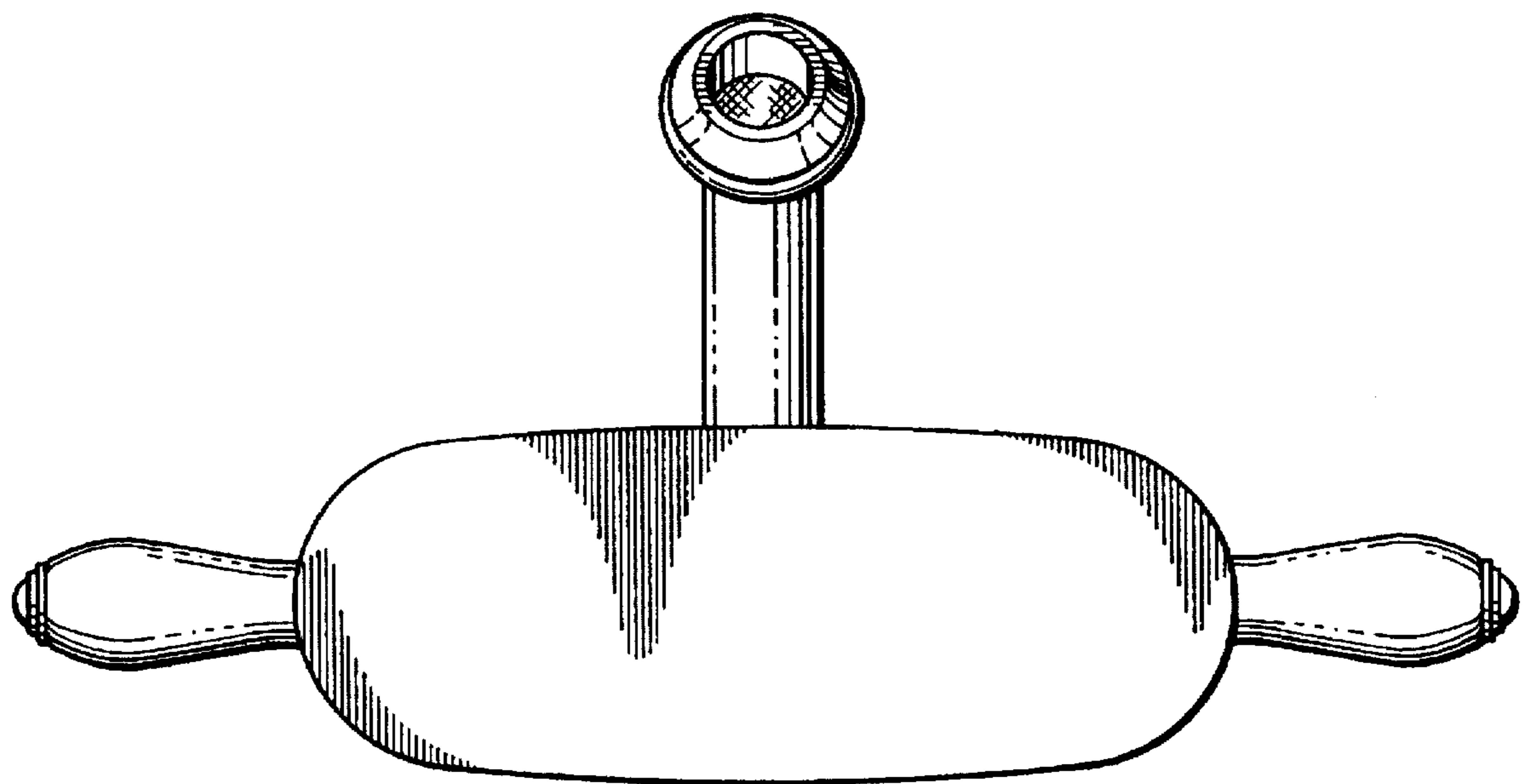
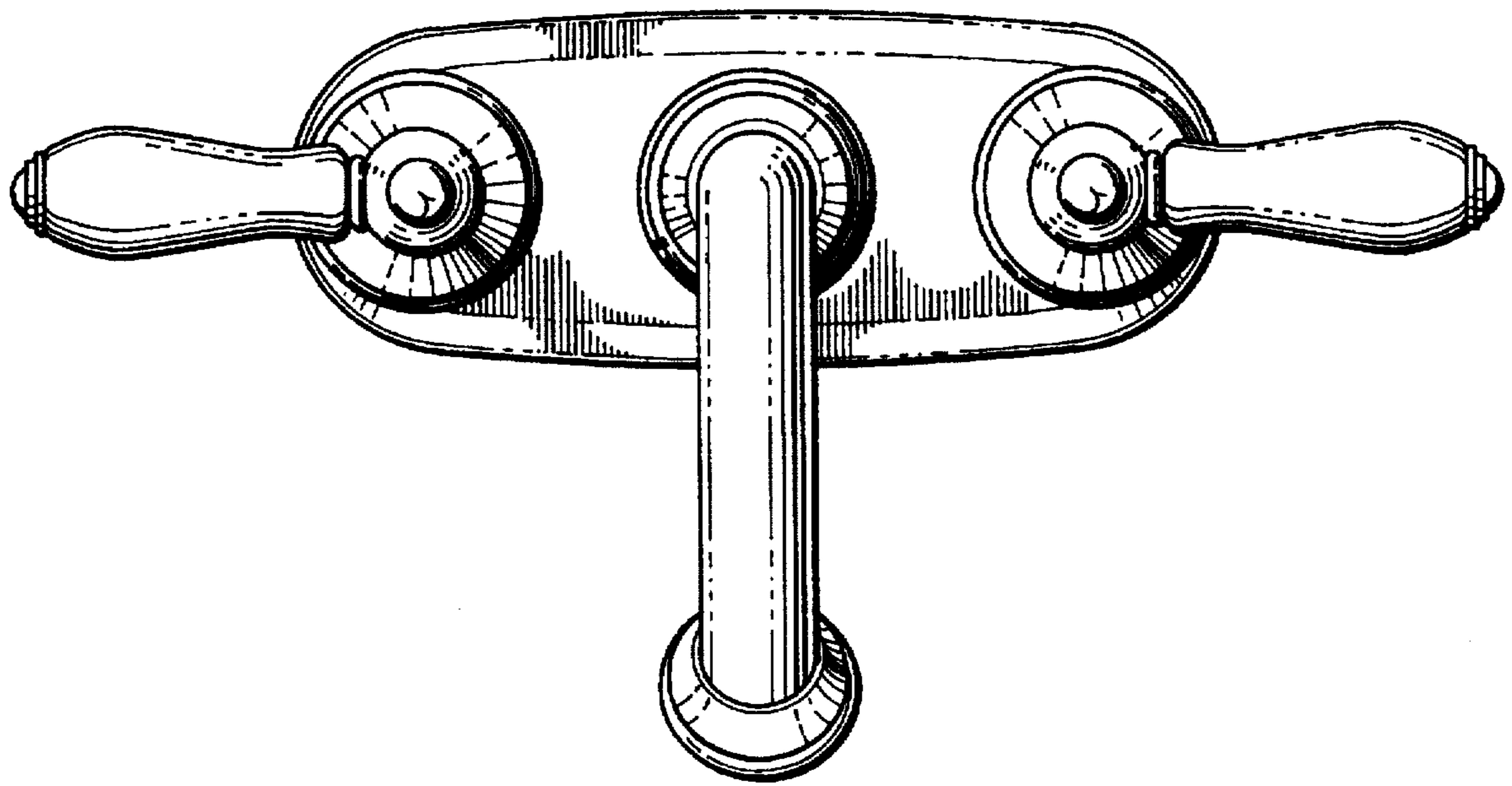


FIG. 6