



US00D384130S

# United States Patent [19]

[11] Patent Number: **Des. 384,130**

Doughty et al.

[45] Date of Patent: **\*\*\*Sep. 23, 1997**

[54] **FAUCET**

[75] Inventors: **Frederic C. Doughty**, S. Pasadena;  
**Darren M. Mark**, Castaic, both of Calif.

- D. 290,388 6/1987 Yost .
- D. 293,362 12/1987 Hill .
- D. 295,551 5/1988 Yost .
- D. 321,750 11/1991 Spangler .
- D. 359,342 6/1995 Doughty .

[73] Assignee: **Emhart Inc.**, Newark, Del.

**FOREIGN PATENT DOCUMENTS**

[\*] Notice: The portion of the term of this patent subsequent to Jul. 22, 2011, has been disclaimed.

64621 10/1989 France .

[\*\*] Term: **14 Years**

*Primary Examiner*—Louis S. Zarfes  
*Assistant Examiner*—Eric Watterson  
*Attorney, Agent, or Firm*—J. Bruce Hoofnagle

[21] Appl. No.: **44,340**

[57] **CLAIM**

[22] Filed: **Sep. 22, 1995**

The ornamental design for faucet, as shown and described.

[51] **LOC (6) Cl.** ..... **23-01**

**DESCRIPTION**

[52] **U.S. Cl.** ..... **D23/241**

FIG. 1 is a perspective view of our new design of a faucet;  
FIG. 2 is a front elevational view of our new design of the faucet;

[58] **Field of Search** ..... D23/238-243,  
D23/250-257; D8/300, 307, 310, 312; 4/675-678;  
137/801

FIG. 3 is a rear elevational view of our new design of the faucet;

[56] **References Cited**

FIG. 4 is a right side elevational view of our new design of the faucet, a left side elevational view thereof being a mirror image of the right side elevational thereof;

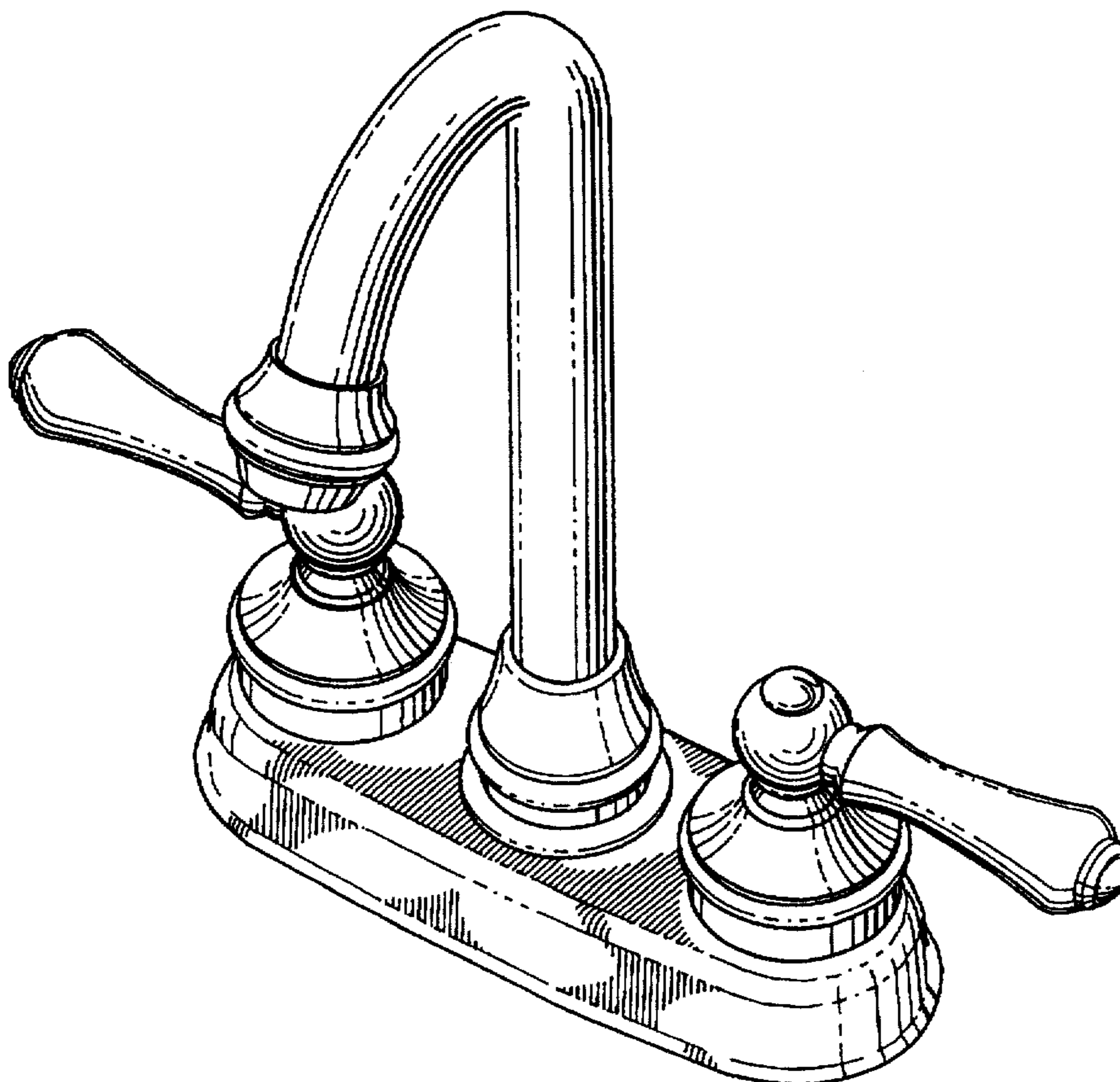
**U.S. PATENT DOCUMENTS**

- D. 276,259 11/1984 Miller .
- D. 285,106 8/1986 Yost .
- D. 288,835 3/1987 Yost .
- D. 288,836 3/1987 Yost .
- D. 289,318 4/1987 Yost .

FIG. 5 is a top plan view of our new design of the faucet;  
and,

FIG. 6 is a bottom plan view of our new design of the faucet.

**1 Claim, 4 Drawing Sheets**



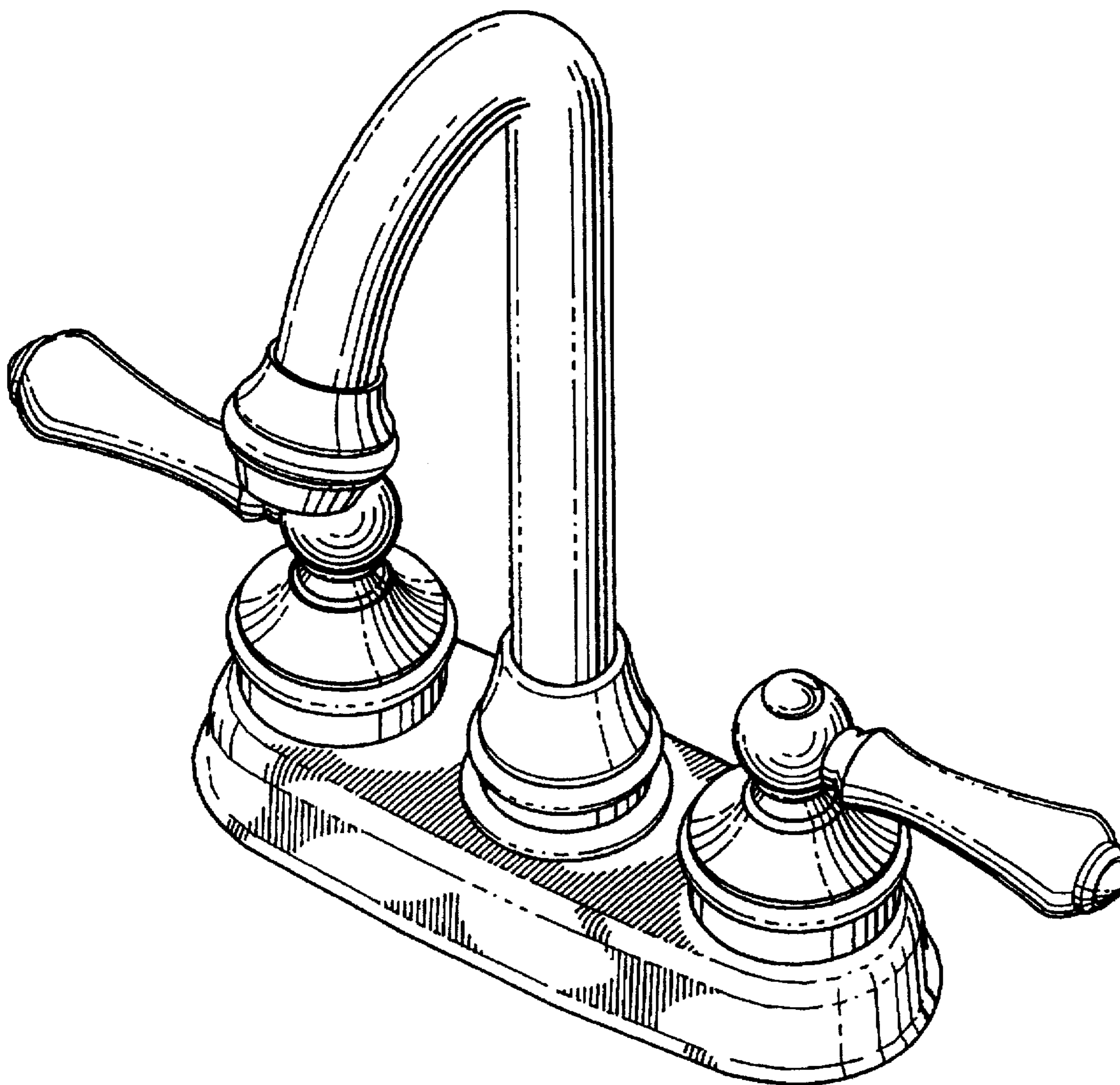


FIG. 1

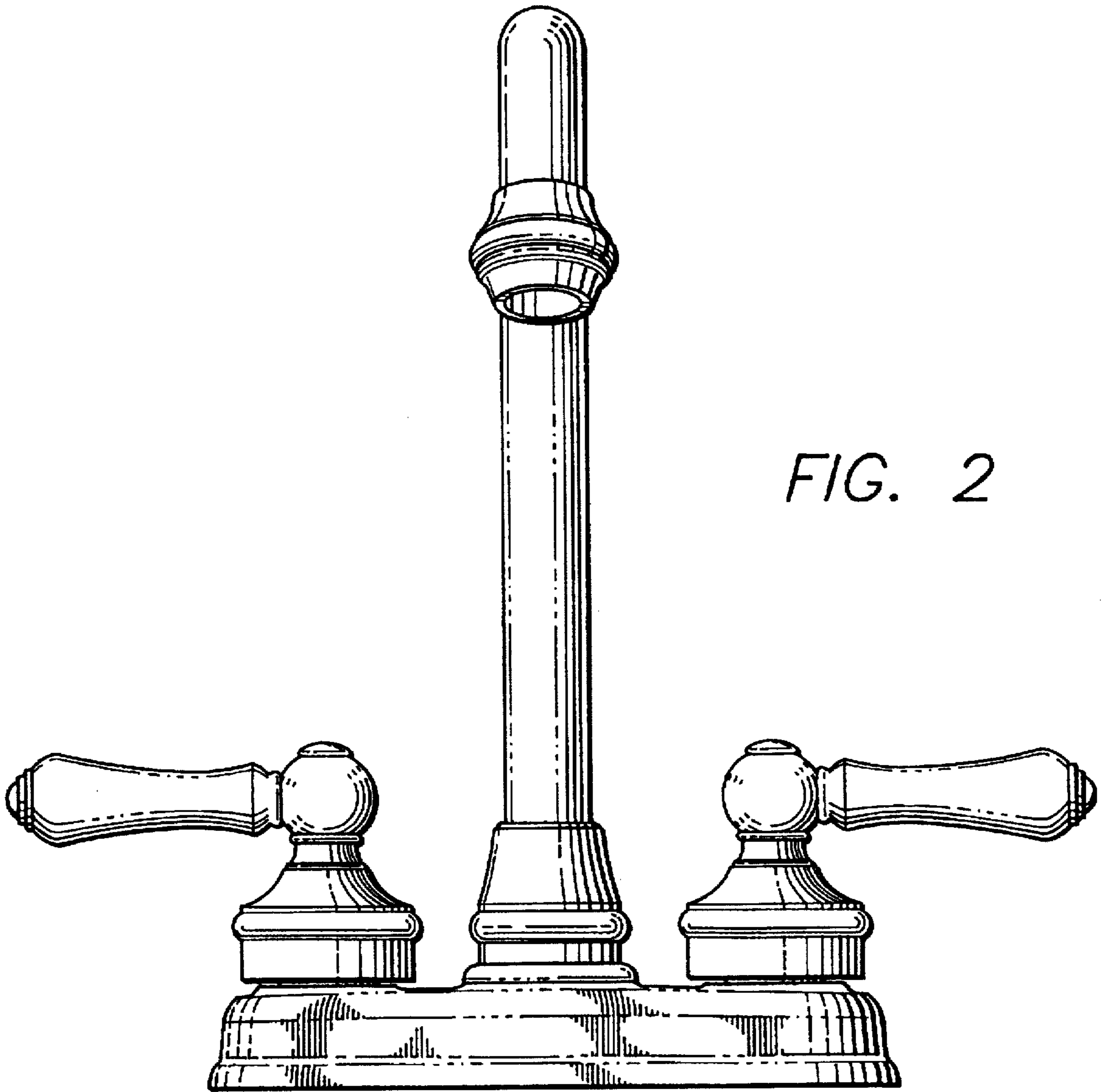


FIG. 2

FIG. 4

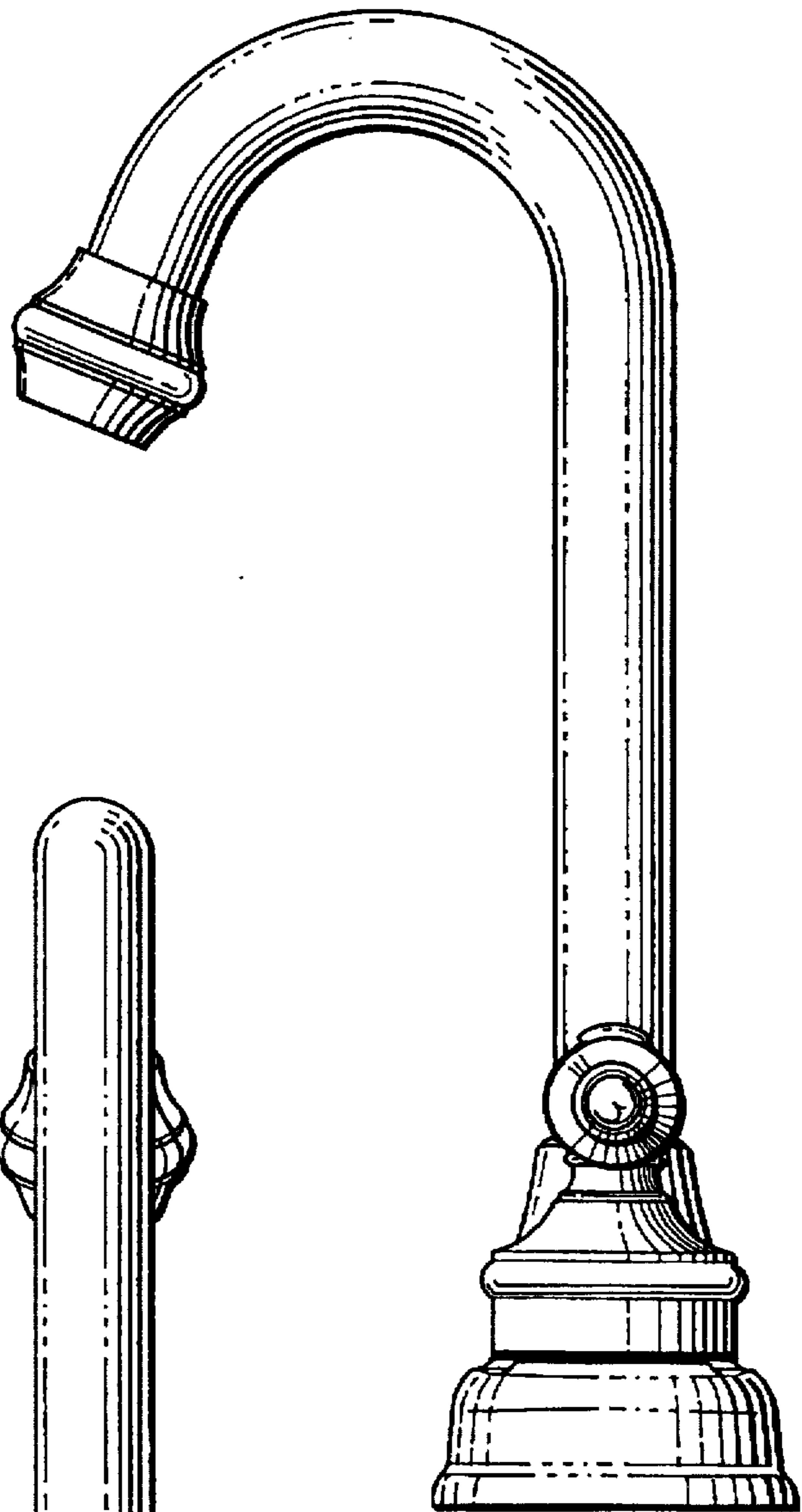


FIG. 3

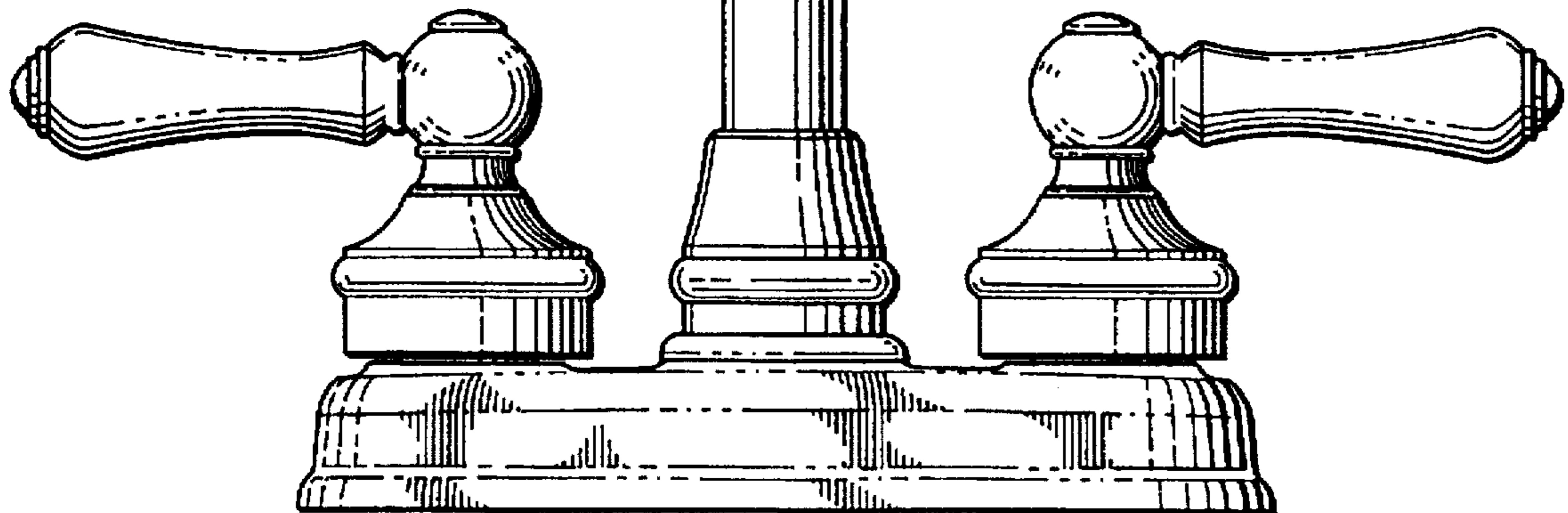


FIG. 5

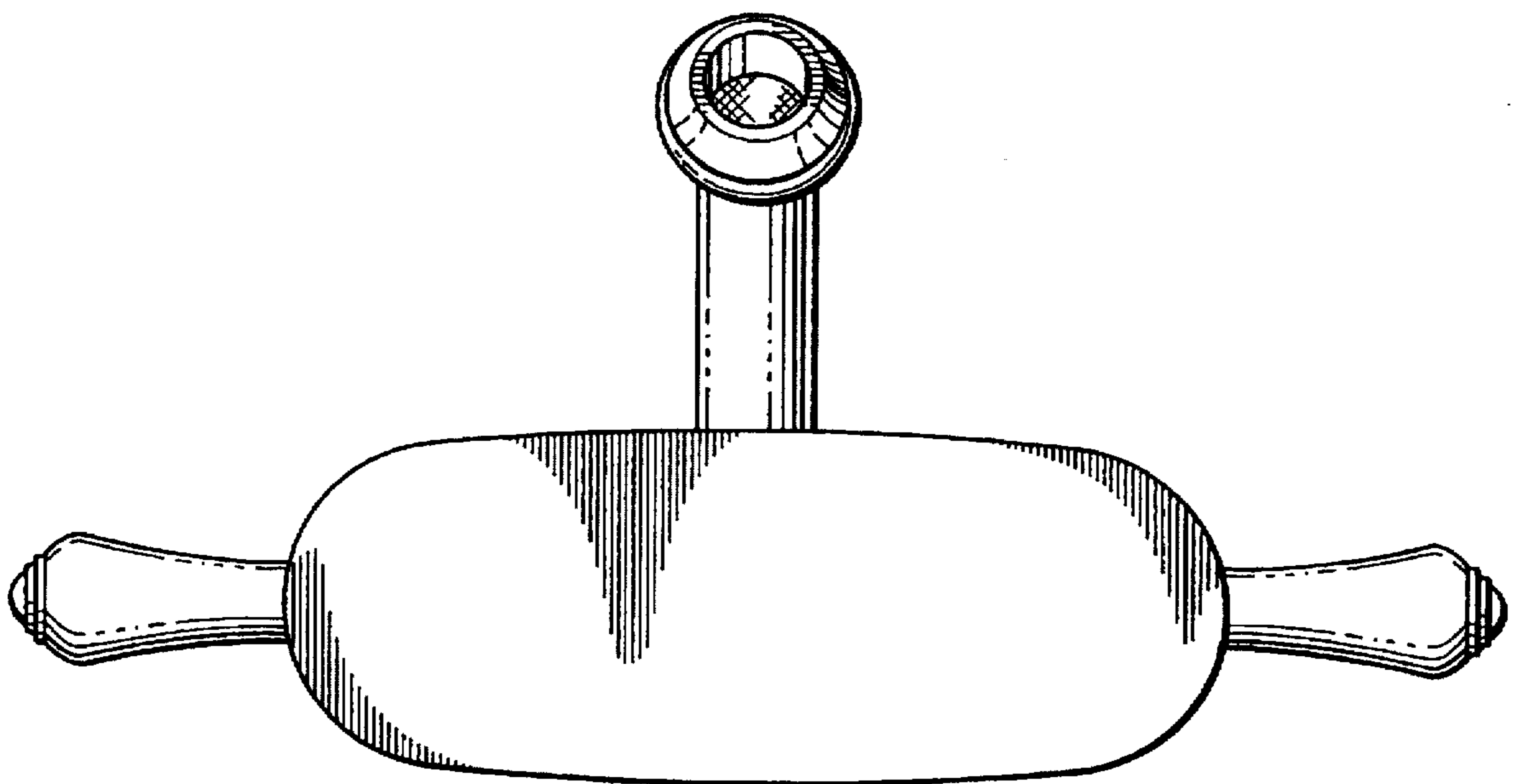
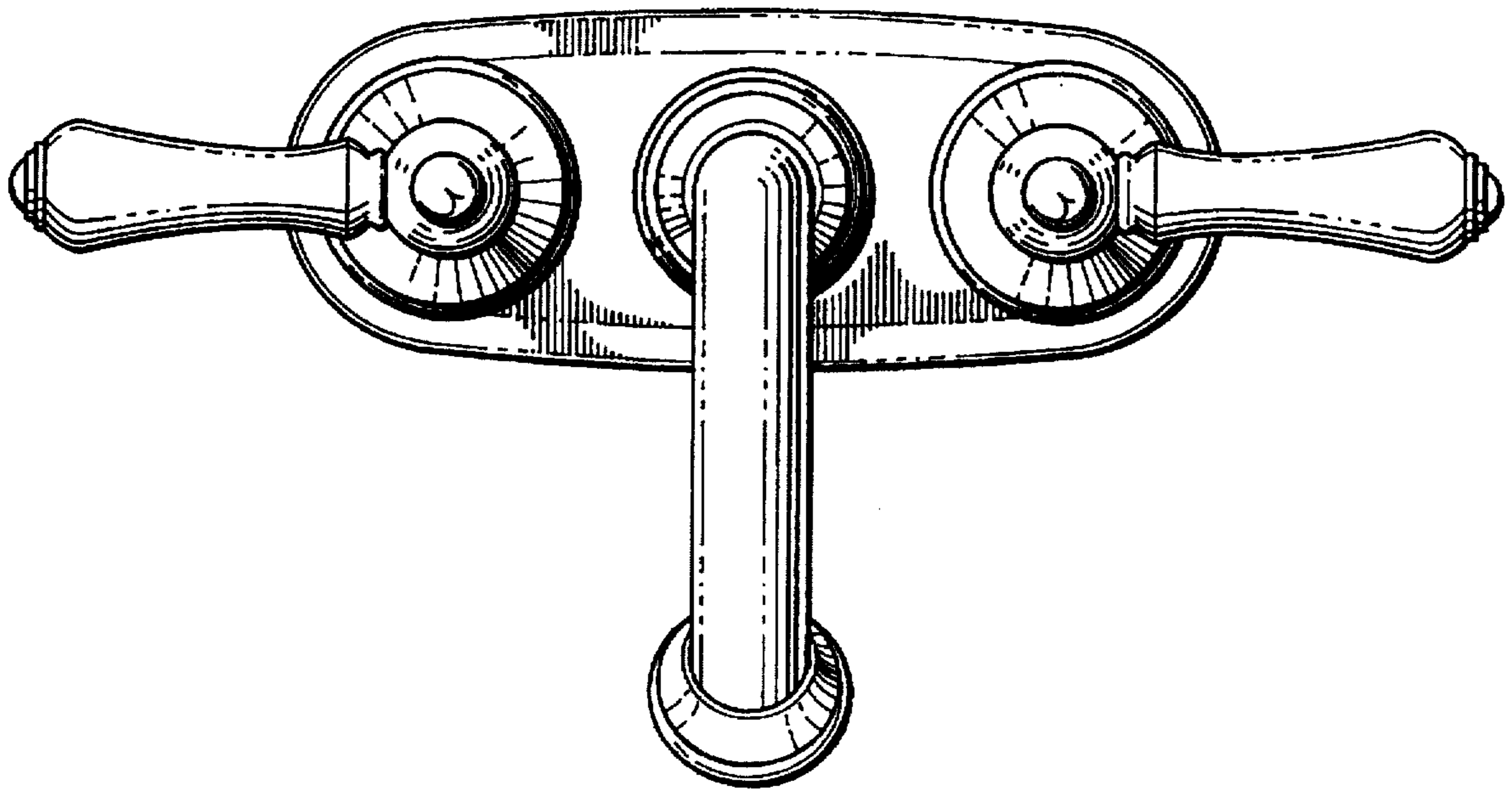


FIG. 6