



US00D384128S

United States Patent [19]

Scott

[11] Patent Number: **Des. 384,128**

[45] Date of Patent: ****Sep. 23, 1997**

[54] **WATER FILTER HOUSING**

[75] Inventor: **John Robert Scott**, Brisbane, Australia

[73] Assignee: **Scott Industries Pty Ltd.**, Mansfield, Australia

[**] Term: **14 Years**

[21] Appl. No.: **58,769**

[22] Filed: **Aug. 22, 1996**

[30] **Foreign Application Priority Data**

Jul. 8, 1996 [AU] Australia 2145/96

[51] LOC (6) Cl. **23-01**

[52] U.S. Cl. **D23/209**

[58] Field of Search D23/200, 207-209;
210/249, 340, 341, 459, 460, 461

[56] **References Cited**

U.S. PATENT DOCUMENTS

D. 282,561 2/1986 Lu D23/207

D. 290,638 6/1987 Bishop D23/207
D. 353,440 12/1994 Ito et al. D23/209
2,238,003 4/1941 Wilkinson D23/209
3,727,787 4/1973 Itter et al. 210/341

Primary Examiner—Louis S. Zarfes
Assistant Examiner—Robin V. Taylor
Attorney, Agent, or Firm—Rick Martin

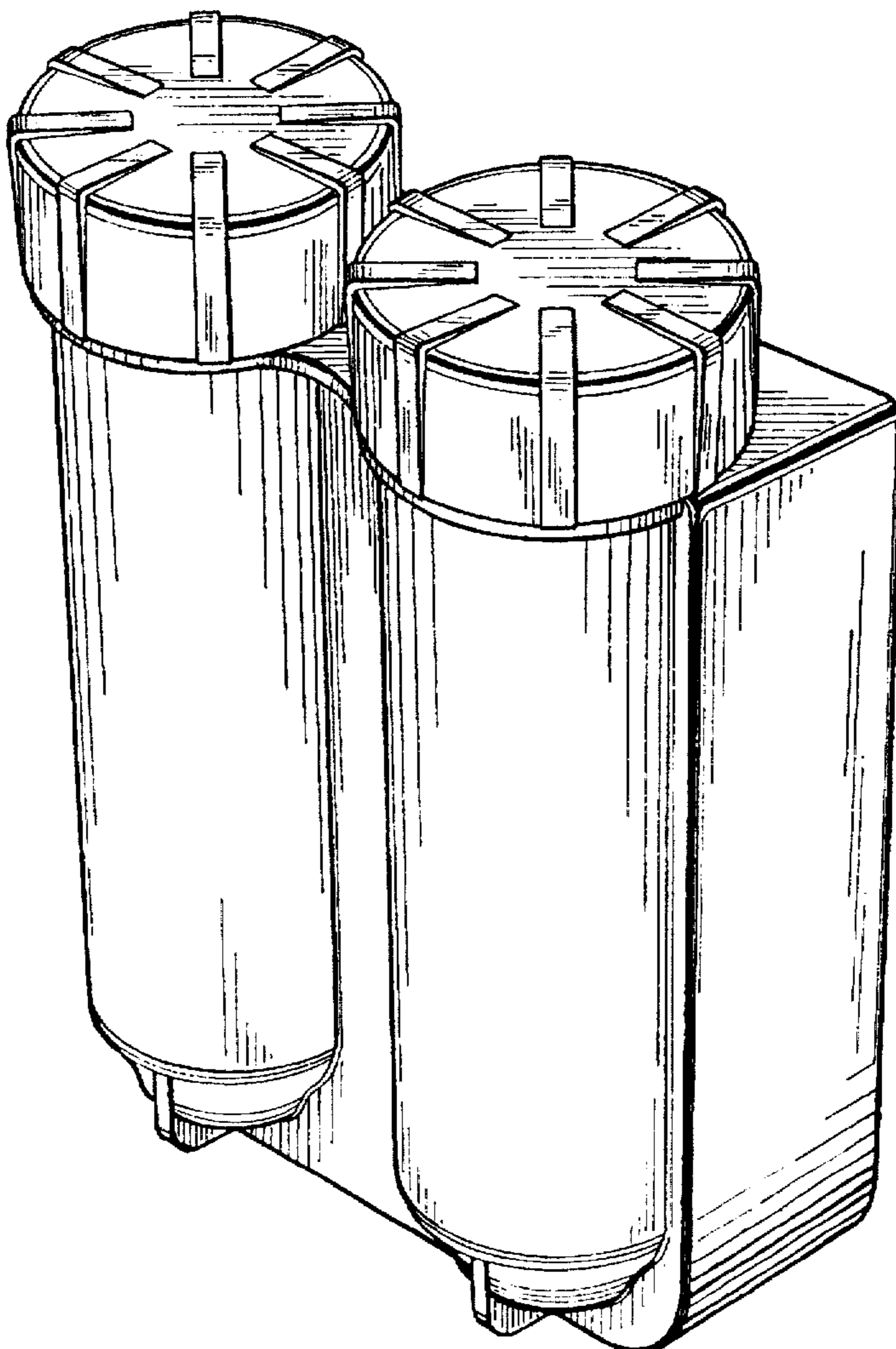
[57] **CLAIM**

The ornamental design for a water filter housing, as shown and described.

DESCRIPTION

FIG. 1 is a side elevation view of the water filter housing; FIG. 2 is a front elevation view of the water filter housing; FIG. 3 is a bottom perspective view of the water filter housing; FIG. 4 is a top perspective view of the water filter housing; FIG. 5 is a back elevation view of the water filter housing; FIG. 6 is a top plan view of the water filter housing; and, FIG. 7 is a bottom plan view of the water filter housing.

1 Claim, 3 Drawing Sheets



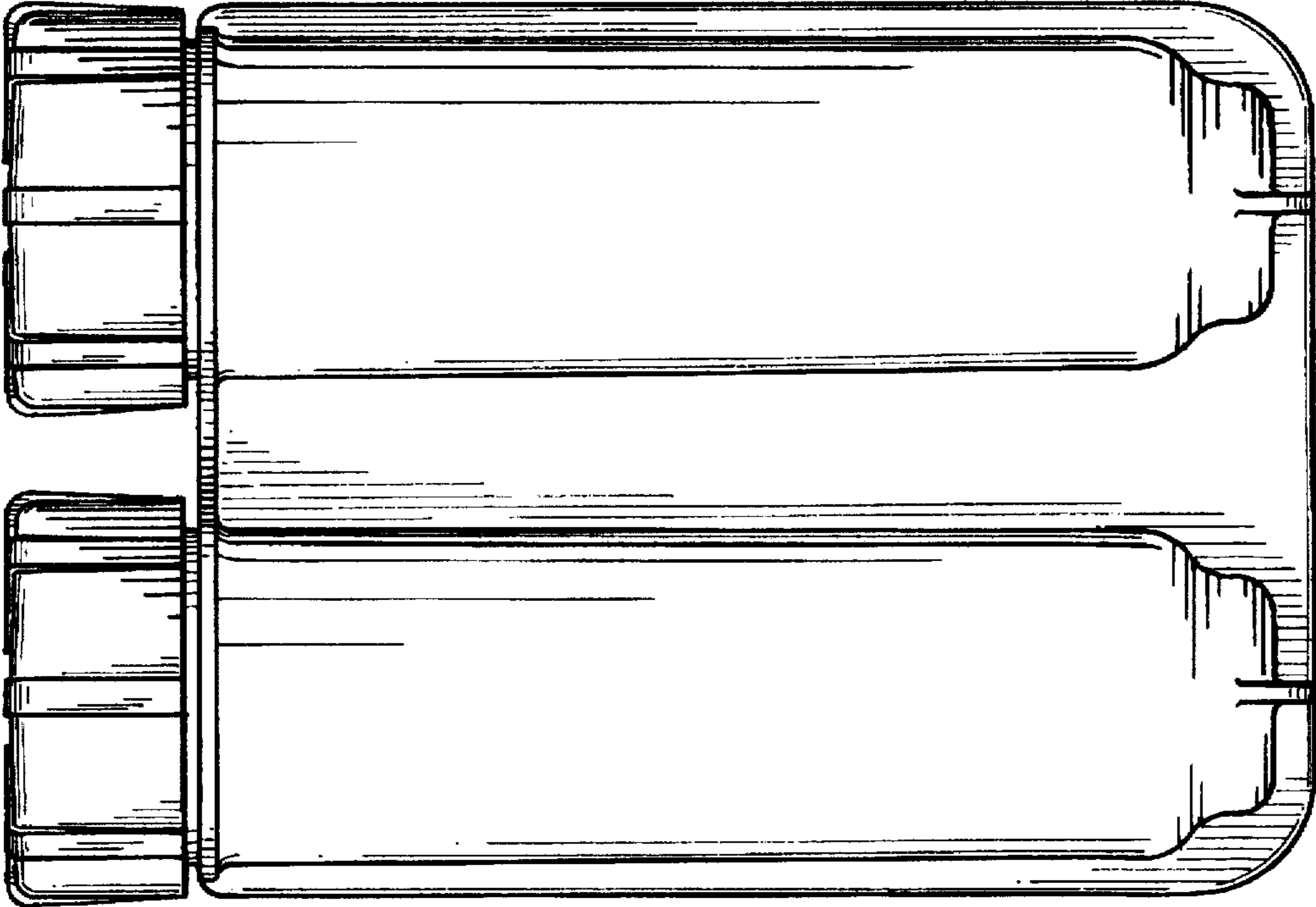


Fig. 2

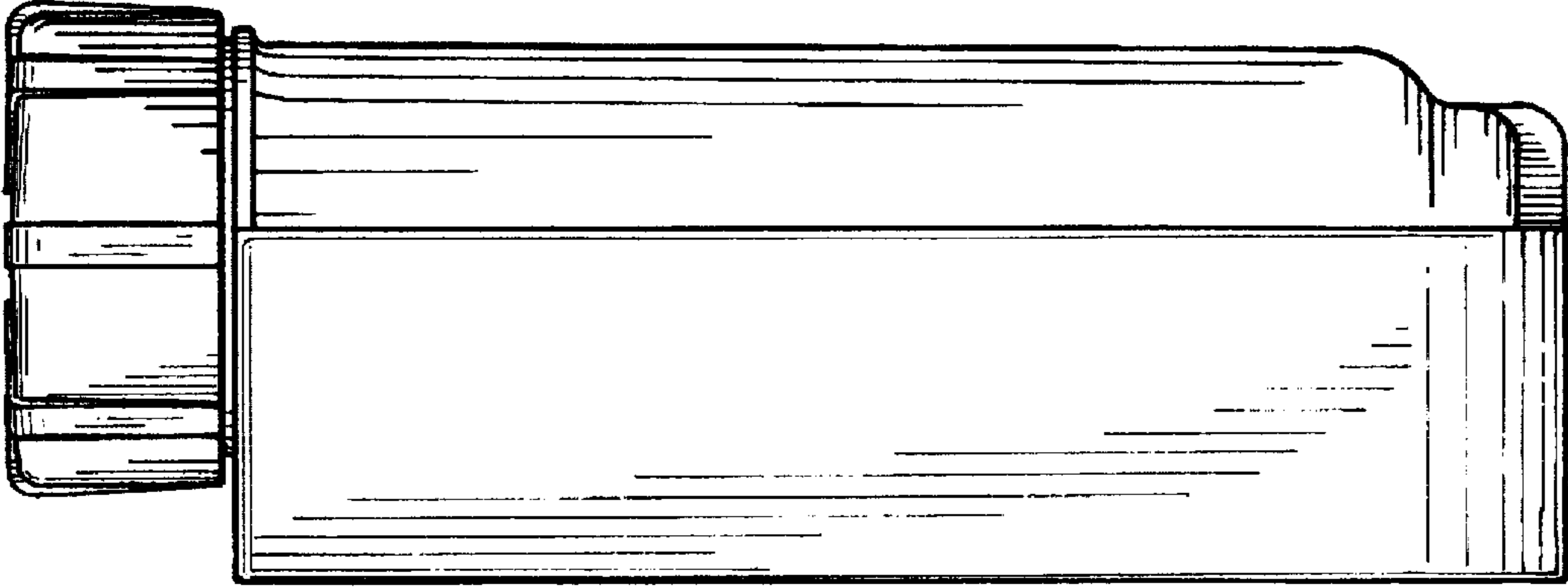


Fig. 1

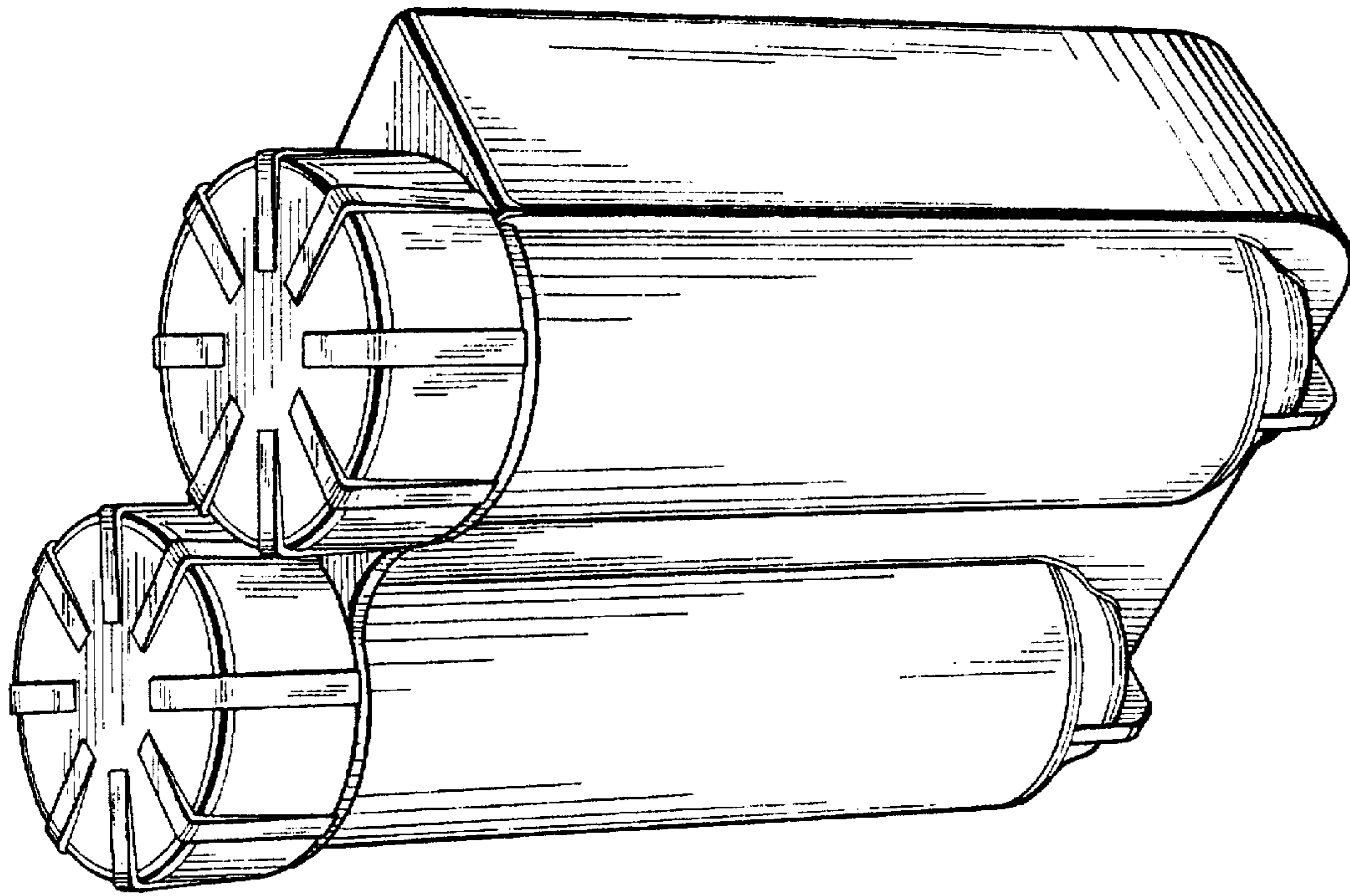


Fig. 4

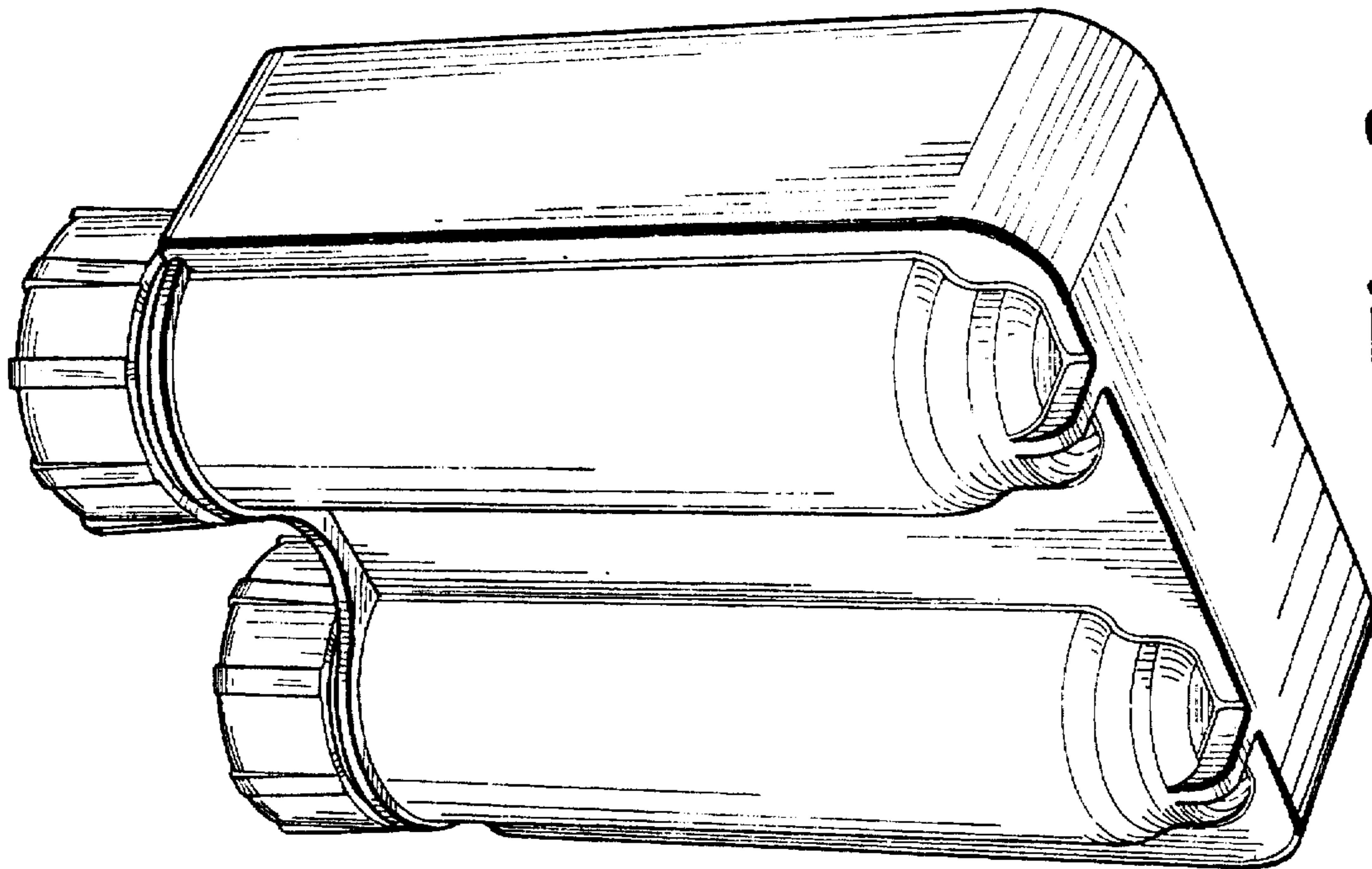


Fig. 3

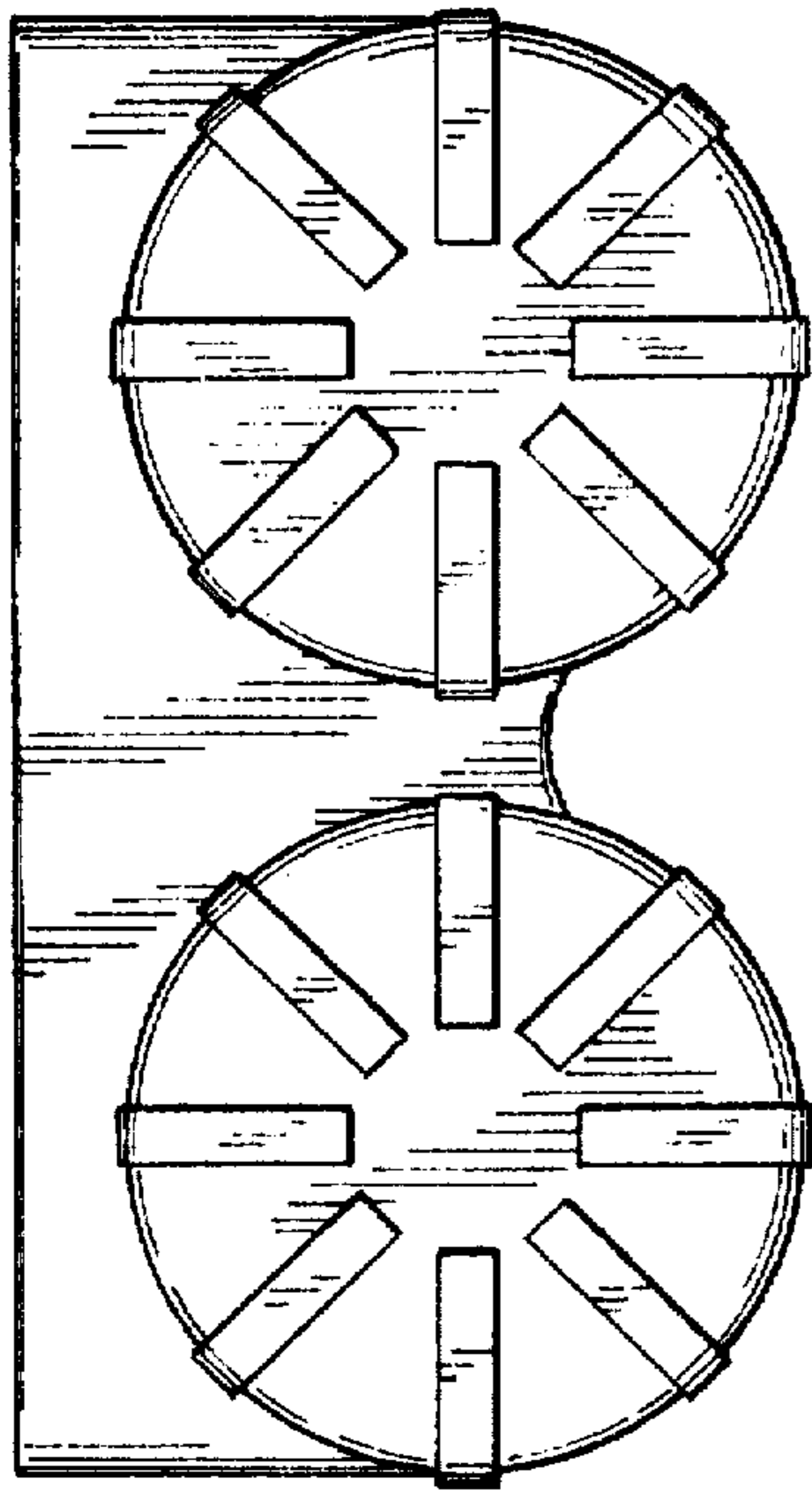


Fig. 6

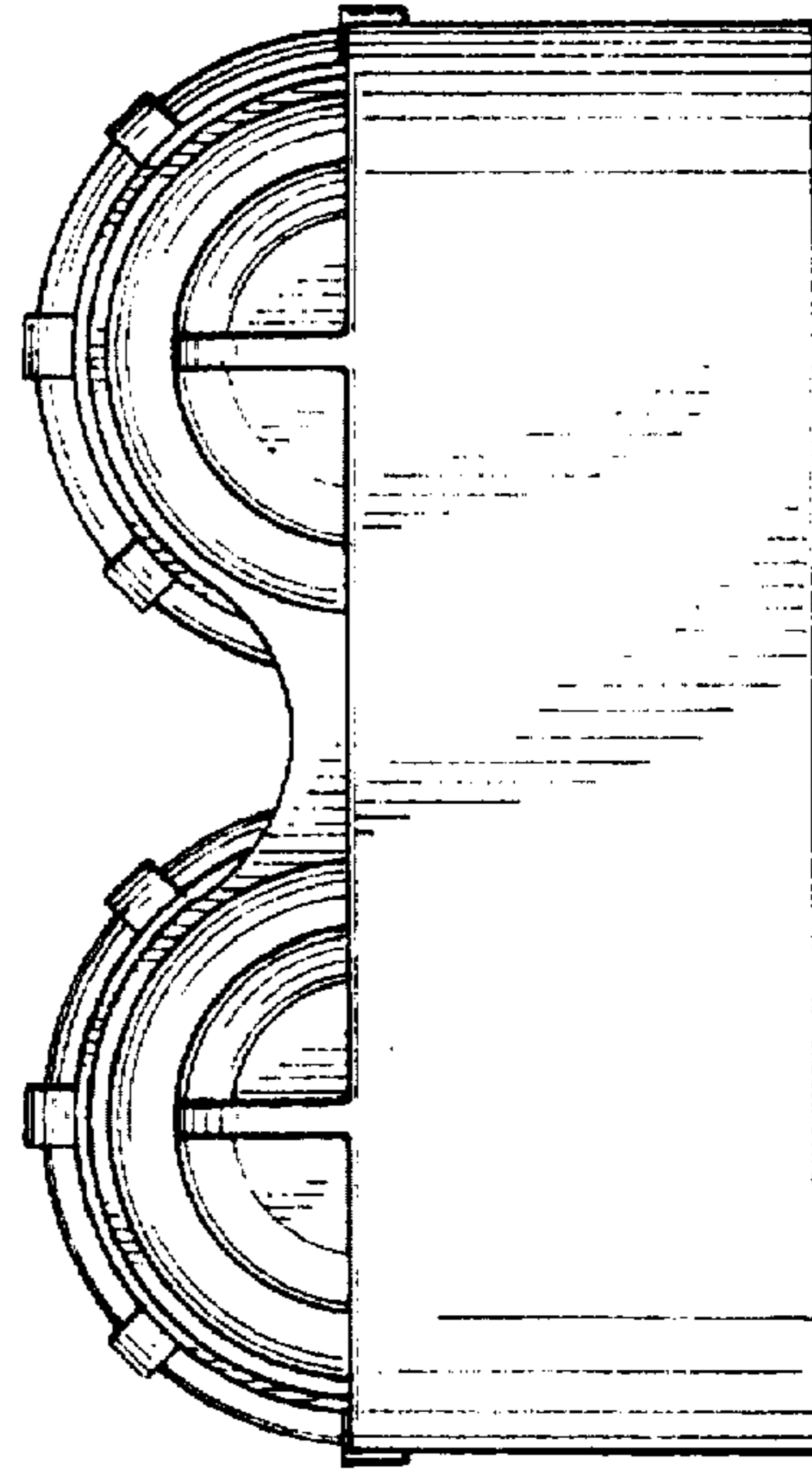


Fig. 7

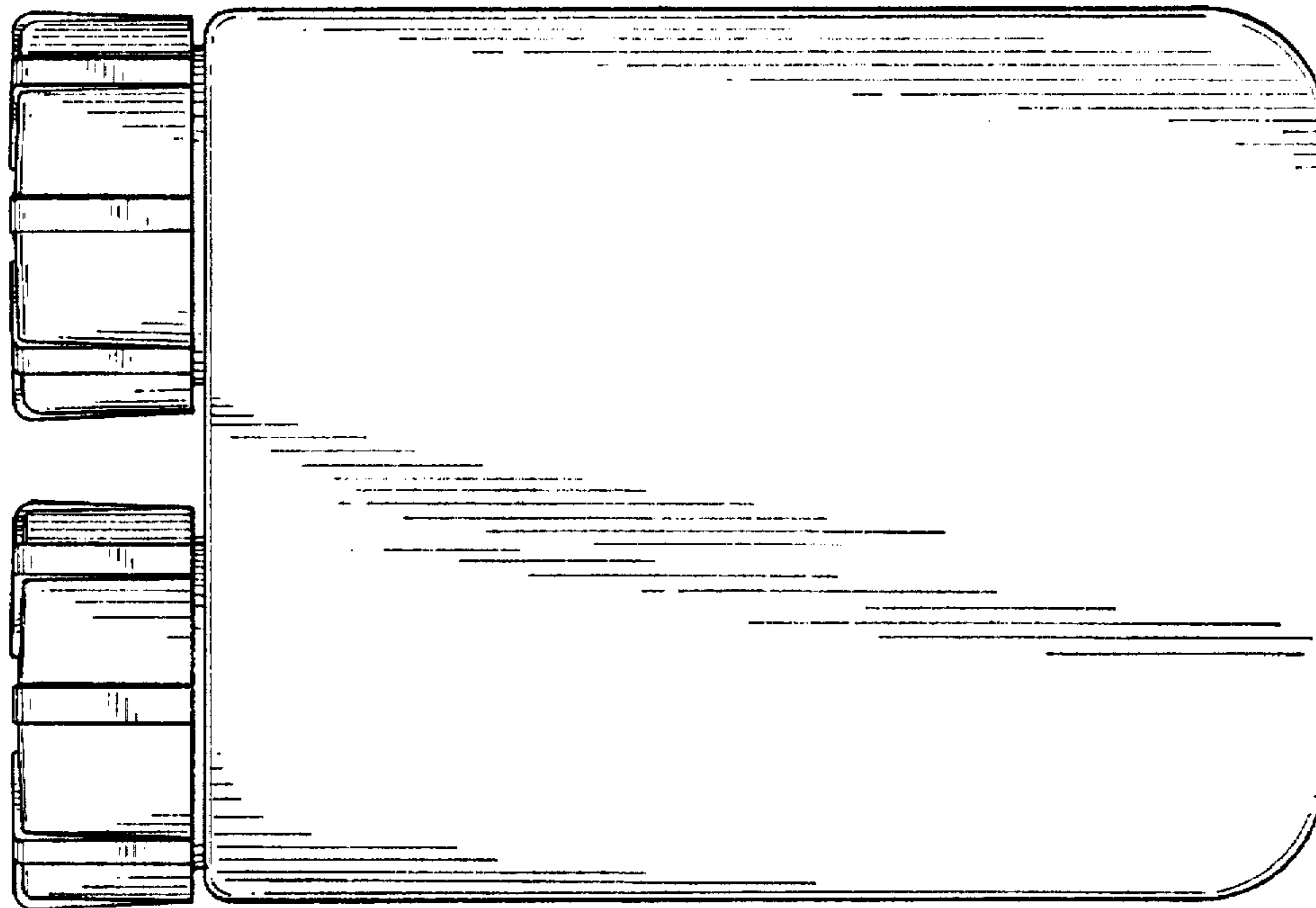


Fig. 5