

US00D384125S

**United States Patent** [19]  
**Griffin**

[11] **Patent Number: Des. 384,125**  
[45] **Date of Patent: \*\*Sep. 23, 1997**

[54] **RAPID DEPLOYMENT TENT**

[76] **Inventor: Calvin Christopher Griffin, 1164 Bishop St. Suite 124, Honolulu, Hi. 96813**

[\*\*] **Term: 14 Years**

[21] **Appl. No.: 22,100**

[22] **Filed: Apr. 29, 1994**

[51] **LOC (6) Cl. .... 21-04**

[52] **U.S. Cl. .... D21/253**

[58] **Field of Search .... D21/114, 118, D21/253, 242-244; D25/13, 19, 56; 446/423, 476, 478; 135/100, 104, 105, 106, 115, 902, 900, 89; 482/35, 36**

[56] **References Cited**

**U.S. PATENT DOCUMENTS**

D. 203,035	11/1965	Hoehne	.....	D21/253
D. 232,850	9/1974	Bloyd	.....	D21/253
D. 251,215	2/1979	Marks	.....	D21/253
D. 259,653	6/1981	Day	.....	D21/253
D. 260,277	8/1981	Davis	.....	D21/253
D. 270,928	10/1983	Brossier	.....	D21/253

D. 323,869	2/1992	Cantwell	.....	D21/253
D. 325,239	4/1992	Norman	.....	D21/253
D. 326,495	5/1992	Pearce	.....	D21/253
D. 351,011	9/1994	Tsai	.....	D21/253
1,528,629	3/1925	Quinan et al.	.....	135/106
2,277,020	3/1942	Lynn	.....	135/106
2,848,756	8/1958	McCann	.....	D25/56
2,934,076	4/1960	Fulke	.....	D25/13
3,404,696	10/1968	Filho	.....	135/902
5,080,123	1/1992	Stein	.....	135/115

*Primary Examiner*—Raphael Barkai

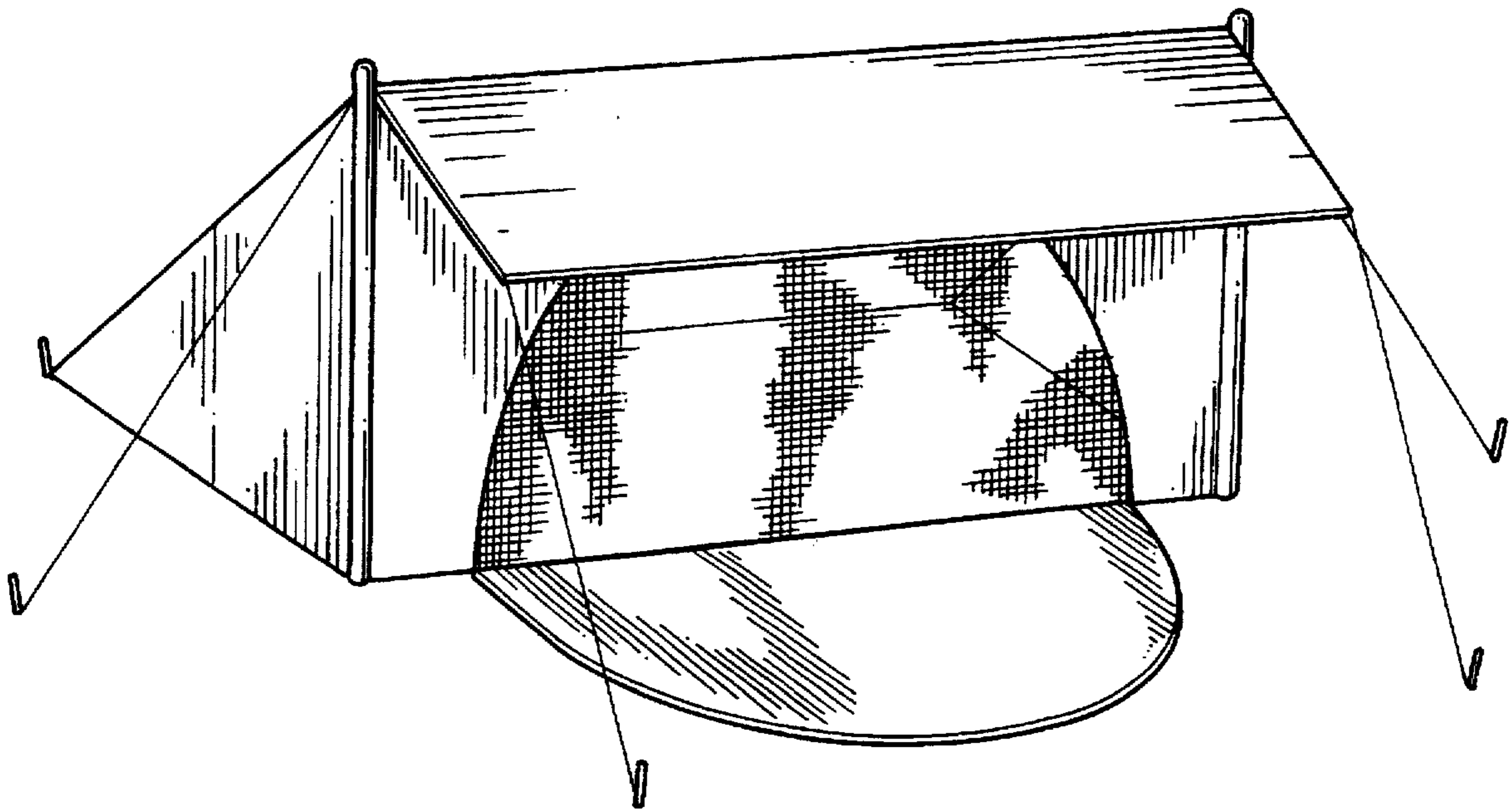
[57] **CLAIM**

The ornamental design for the rapid deployment tent, as shown and described.

**DESCRIPTION**

FIG. 1 is a left side perspective view of the rapid deployment tent showing my new design, the cross-hatching is intended to represent conventional screening;  
FIG. 2 is right side perspective view thereof in the closed position;  
FIG. 3 is rear perspective view thereof;  
FIG. 4 is left side view thereof.

**1 Claim, 4 Drawing Sheets**



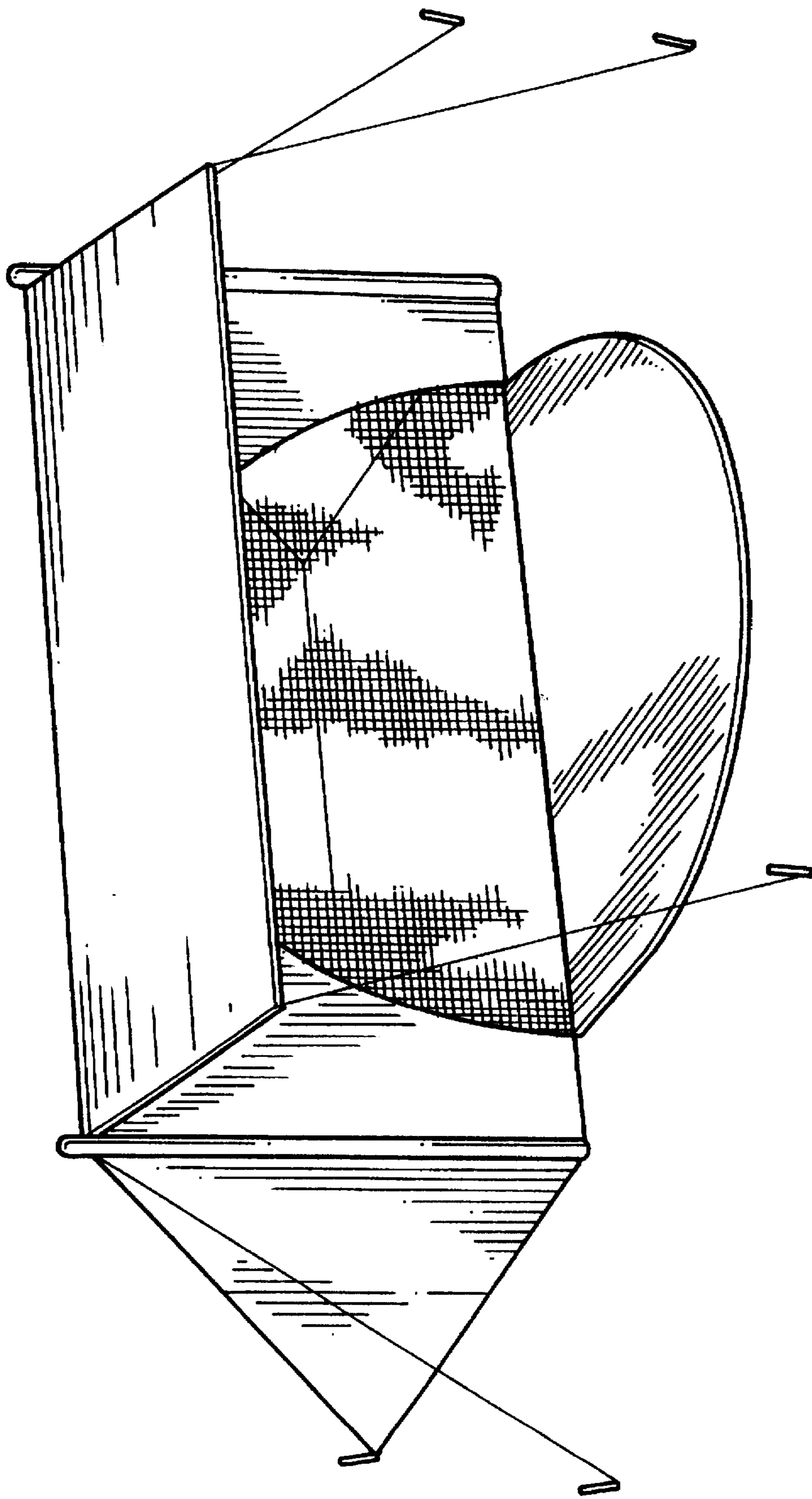


FIG. 1

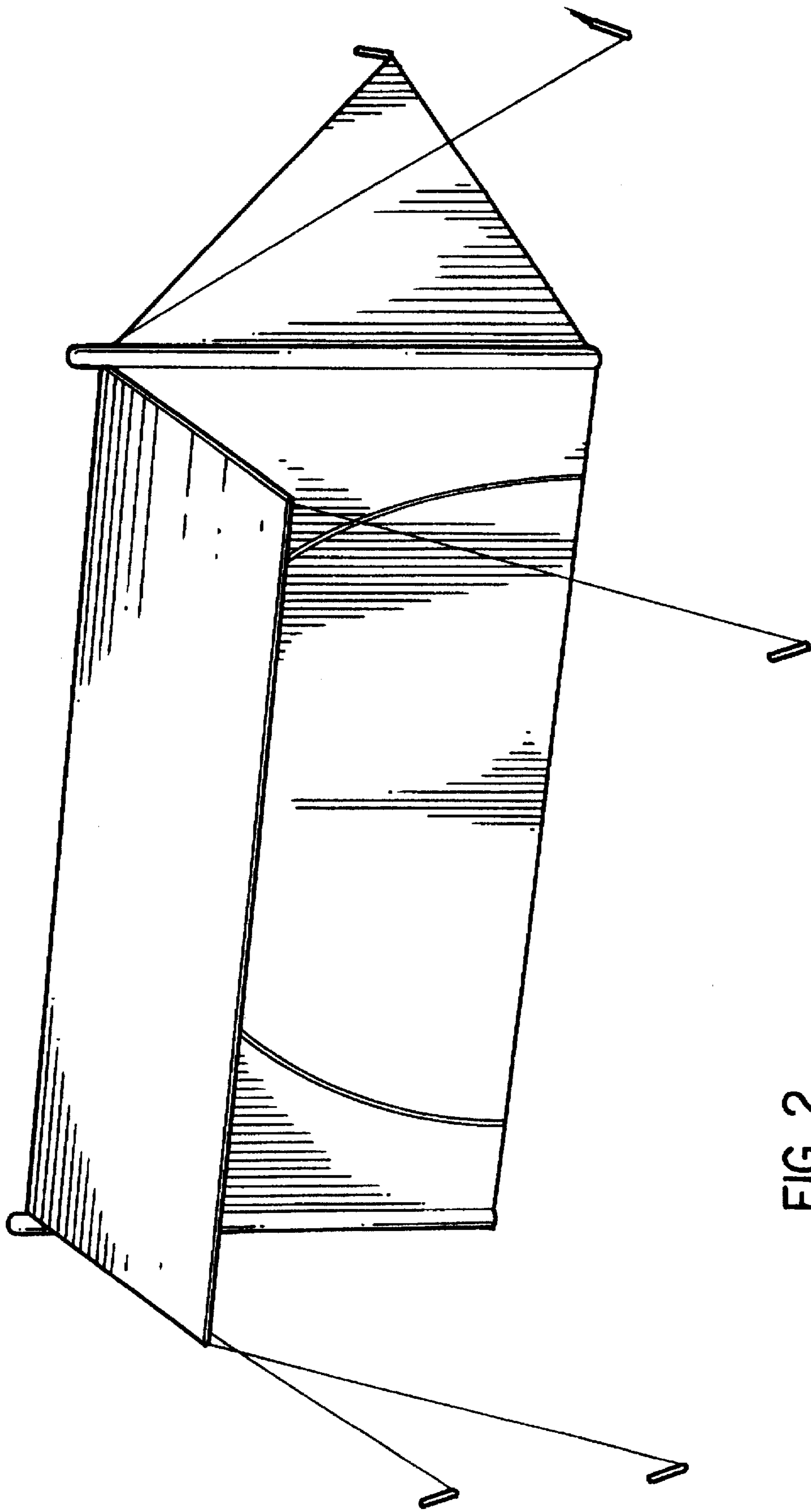


FIG. 2

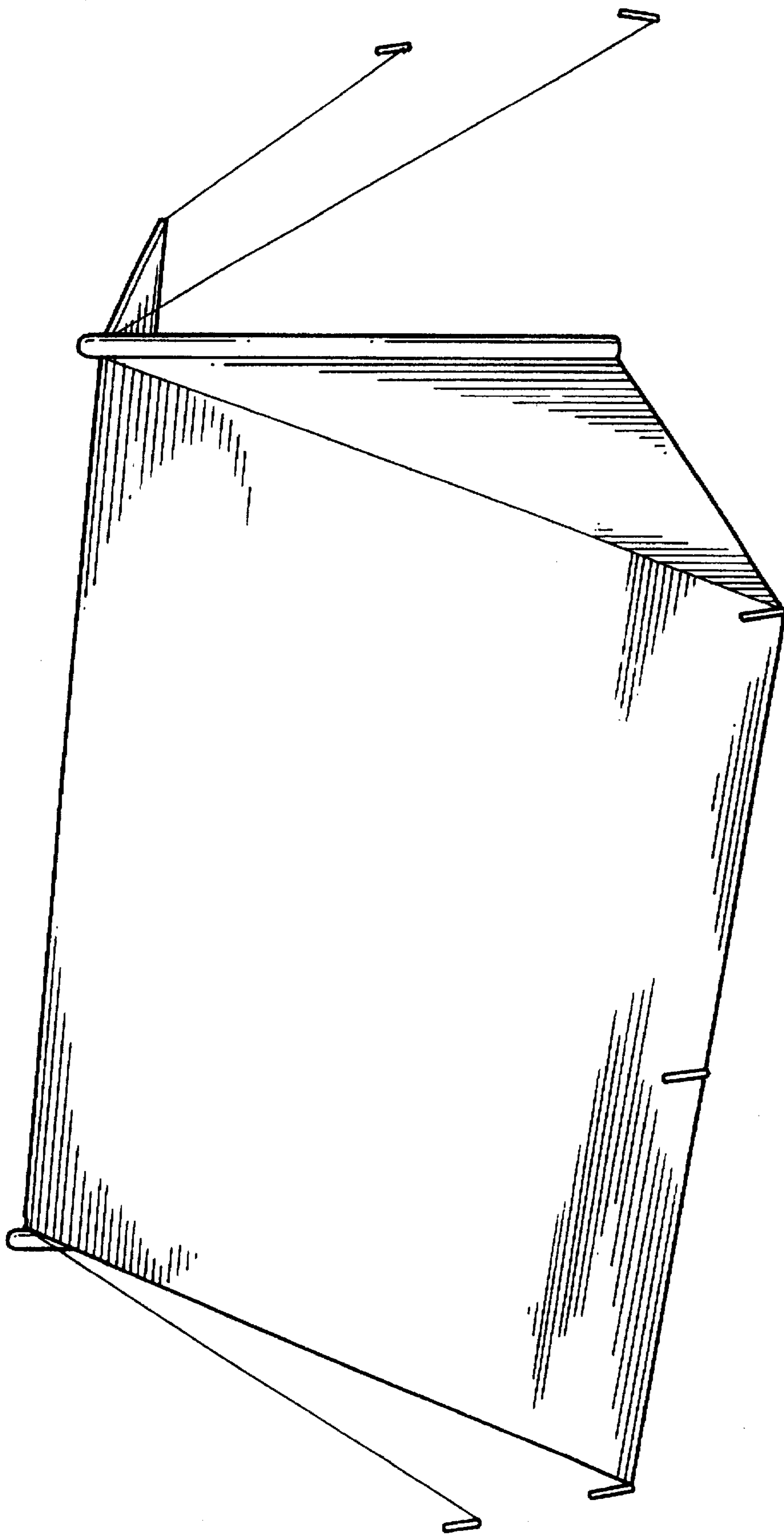


FIG. 3

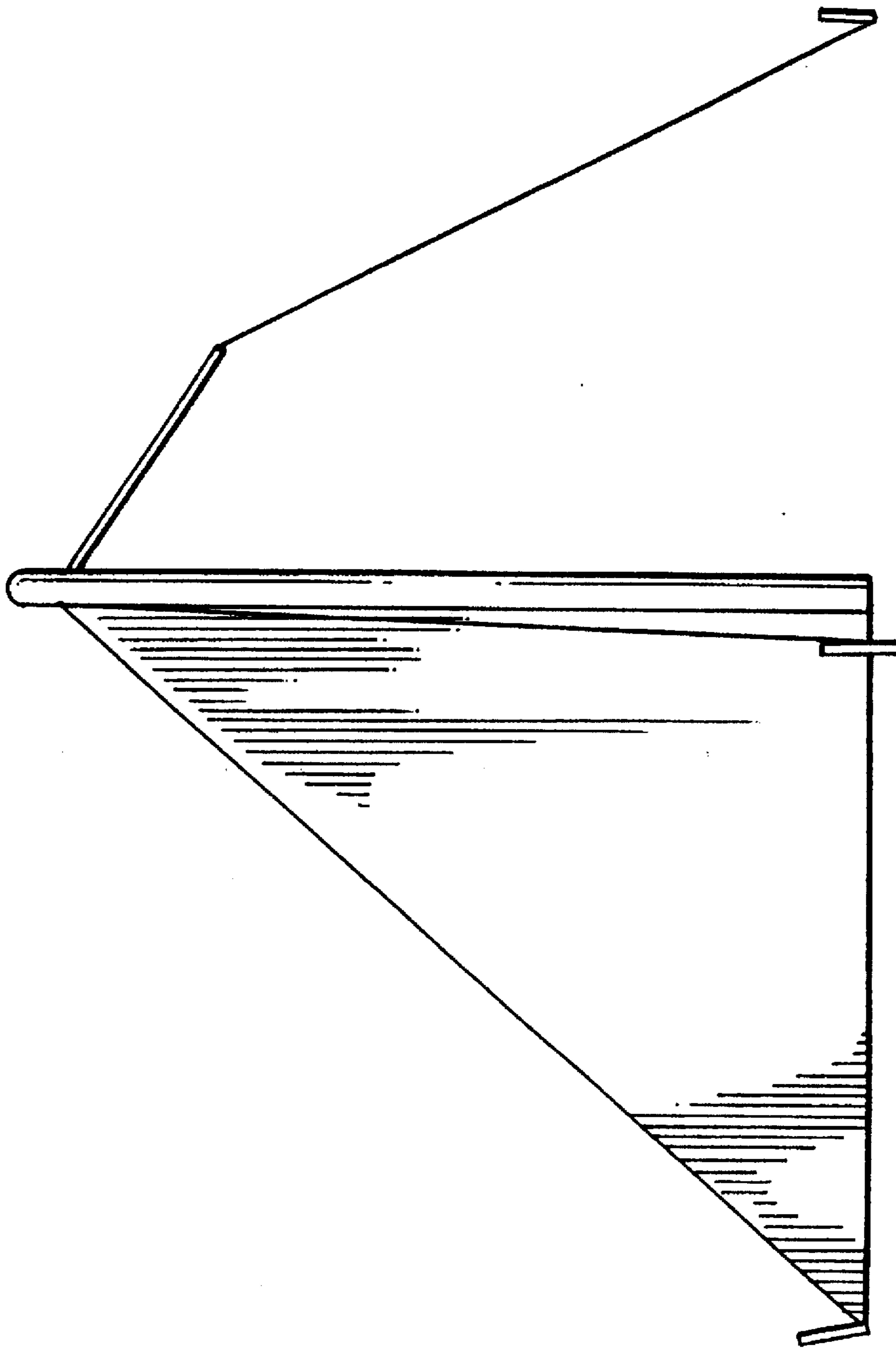


FIG. 4