



US00D384120S

United States Patent [19]

[11] Patent Number: **Des. 384,120**

De La Cruz et al.

[45] Date of Patent: ****Sep. 23, 1997**

[54] GOLF CLUB HEAD

[75] Inventors: **Richard De La Cruz**, Pauma Valley;
Danny C. Ashcraft, Vista; **Richard E. Parente**, San Diego, all of Calif.

[73] Assignee: **Goldwin Golf USA, Inc.**, Carlsbad, Calif.

[**] Term: **14 Years**

[21] Appl. No.: **25,552**

[22] Filed: **Jul. 5, 1994**

[51] LOC (6) Cl. **21-02**

[52] U.S. Cl. **D21/214**

[58] Field of Search **D21/214; 273/167-175**

[56] References Cited

U.S. PATENT DOCUMENTS

1,167,106	1/1916	Palmer .	
1,526,438	2/1925	Scott .	
1,568,888	1/1926	Dunn .	
1,582,836	4/1926	Link .	
1,616,920	2/1927	Pedersen .	
2,003,951	6/1935	Pepin	D21/214 X
2,067,556	1/1937	Wetlaufer	273/80
3,819,181	6/1974	Mills	273/80.2
3,941,390	3/1976	Hussey	273/169
4,021,047	5/1977	Mader	273/167
4,063,737	12/1977	Tom et al.	273/174

4,214,754	7/1980	Zebelean	273/167
4,417,731	11/1983	Yamada	273/167 H
4,429,879	2/1984	Schmidt	273/167
4,944,515	7/1990	Shearer	273/171 X
5,058,895	10/1991	Igarashi	273/167 F
5,232,224	8/1993	Zeider	273/167

FOREIGN PATENT DOCUMENTS

211781	12/1957	Australia .
679292	9/1952	United Kingdom .

Primary Examiner—Ted Shooman

Assistant Examiner—Mitchell I. Siegel

Attorney, Agent, or Firm—Cooley Godward LLP; Craig P. Opperman

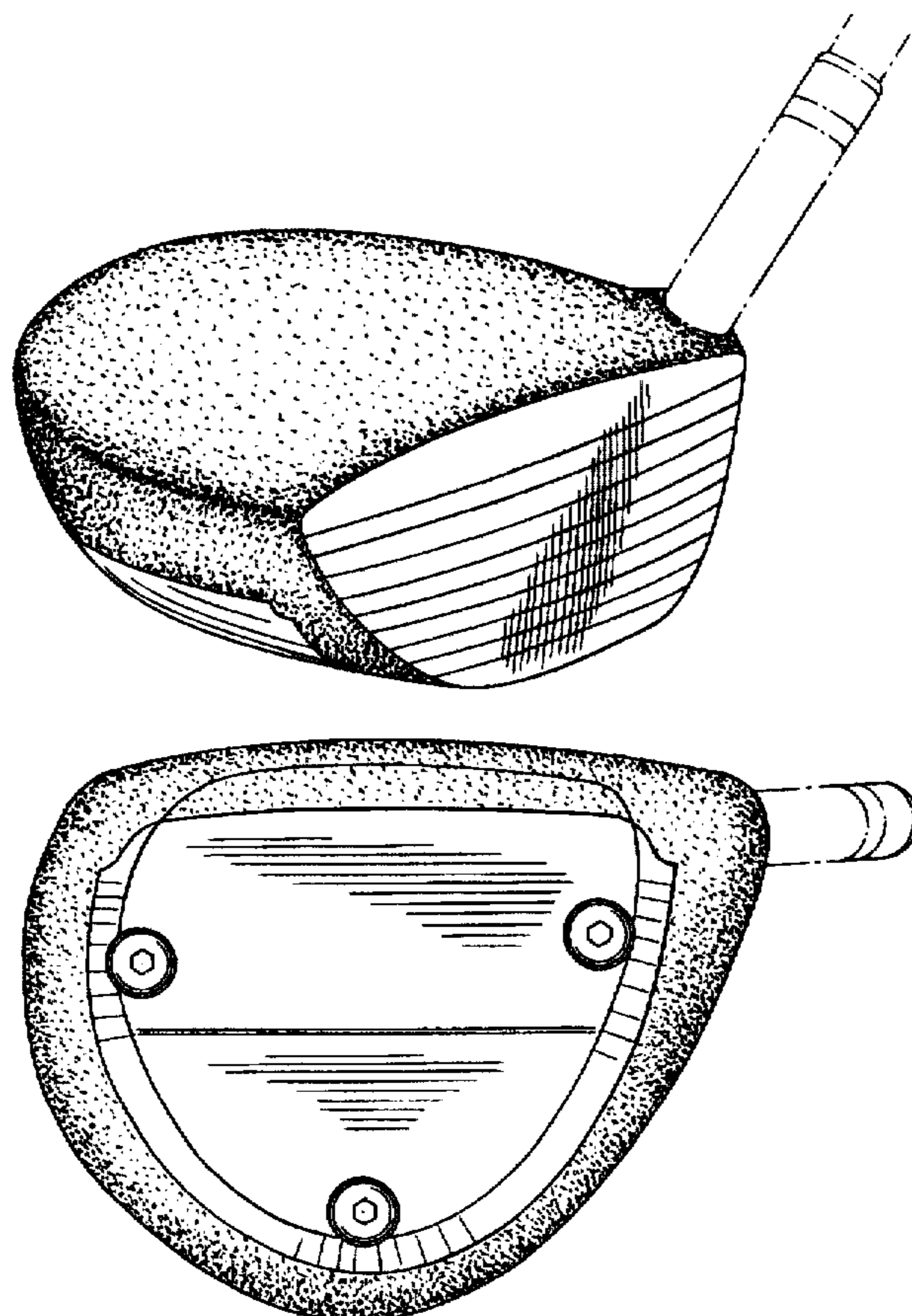
[57] CLAIM

The ornamental design for a golf club head, as shown.

DESCRIPTION

FIG. 1 is a perspective view of a golf club head, showing our new design;
 FIG. 2 is a bottom plan view thereof;
 FIG. 3 is a rear elevational view thereof;
 FIG. 4 is a front view thereof;
 FIG. 5 is a right elevational view thereof; and,
 FIG. 6 is a left side elevational view thereof.
 The broken line showing of a hosel is for illustrative purposes only and forms no part of the claimed design.

1 Claim, 2 Drawing Sheets



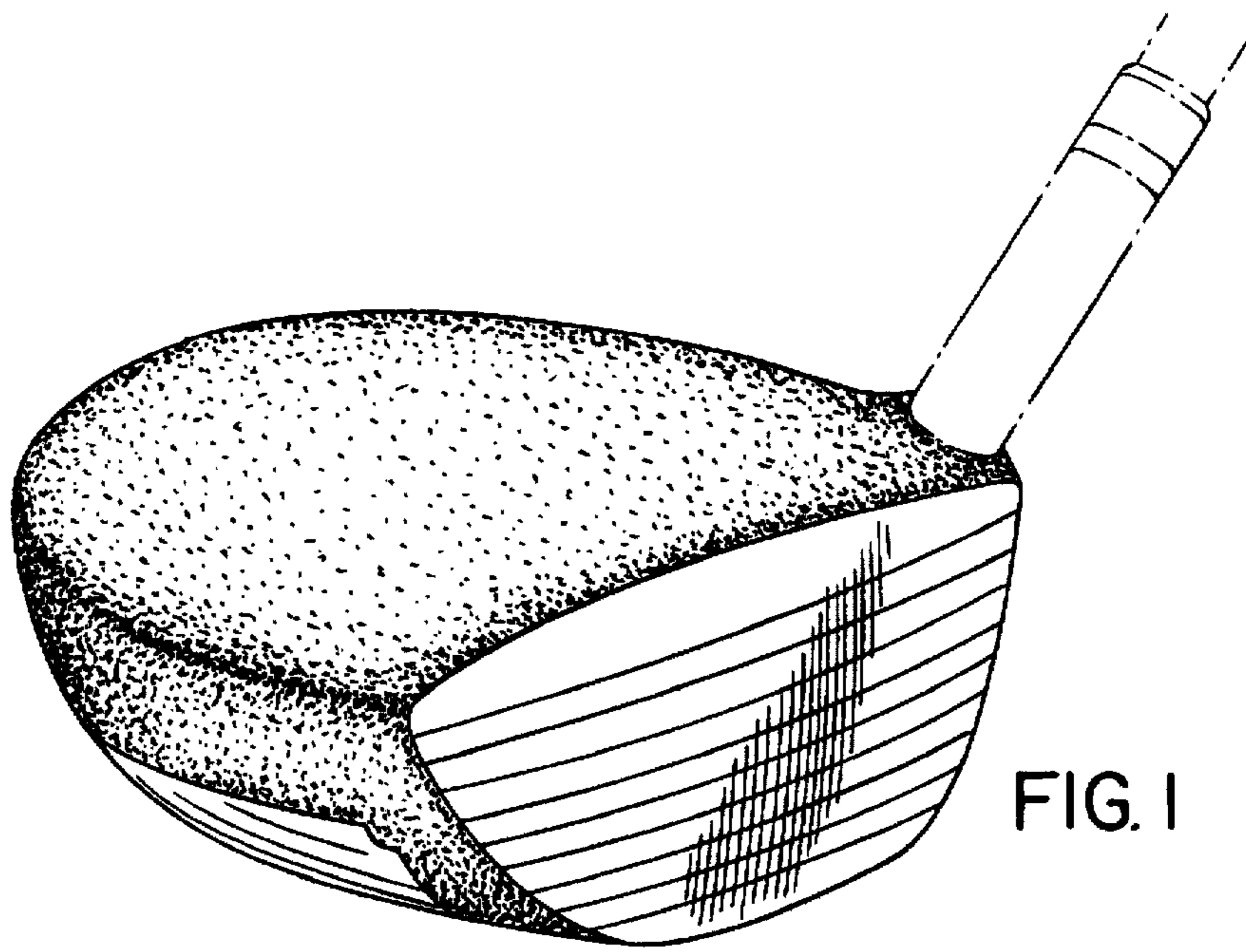


FIG. 1

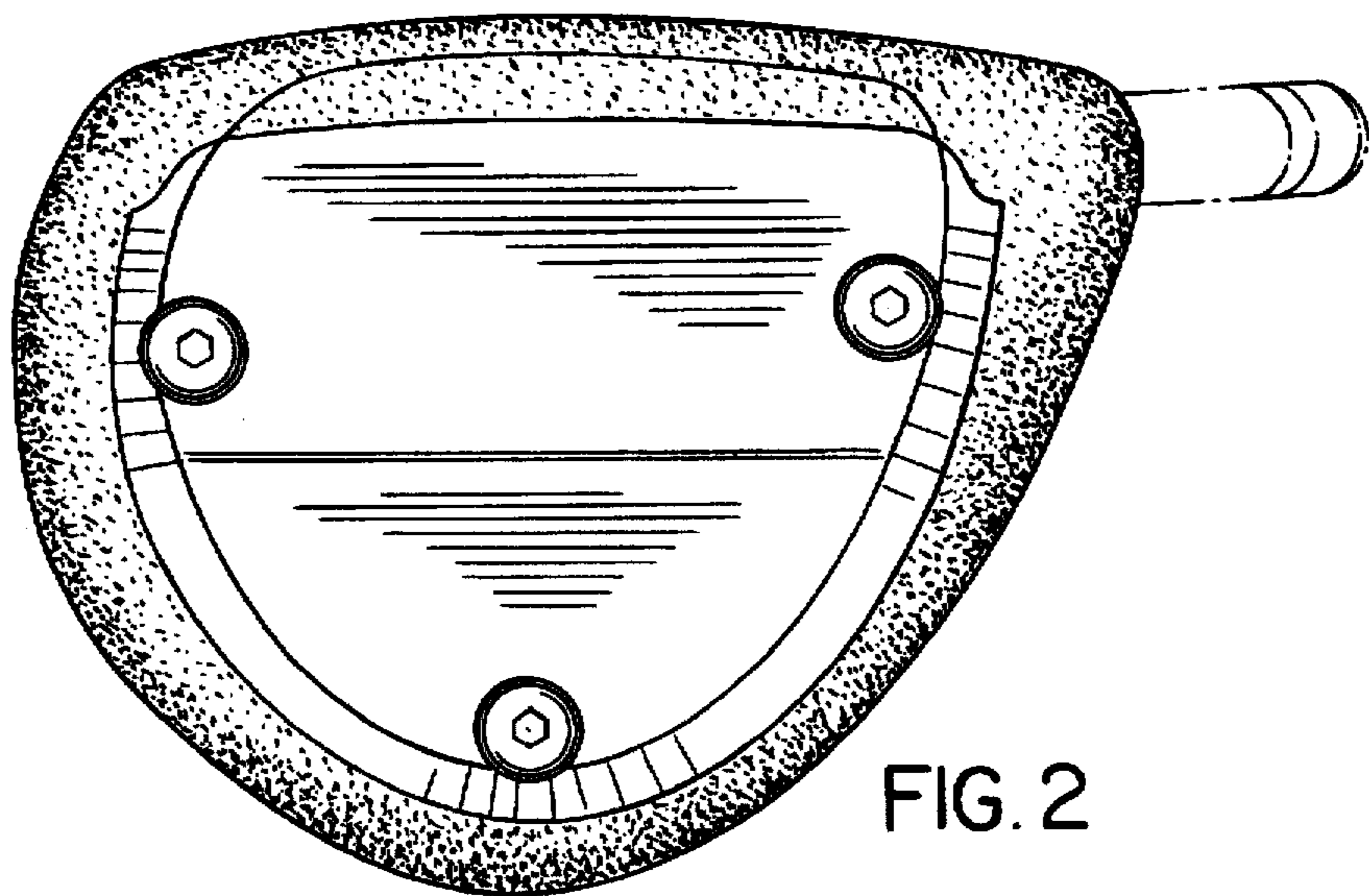


FIG. 2

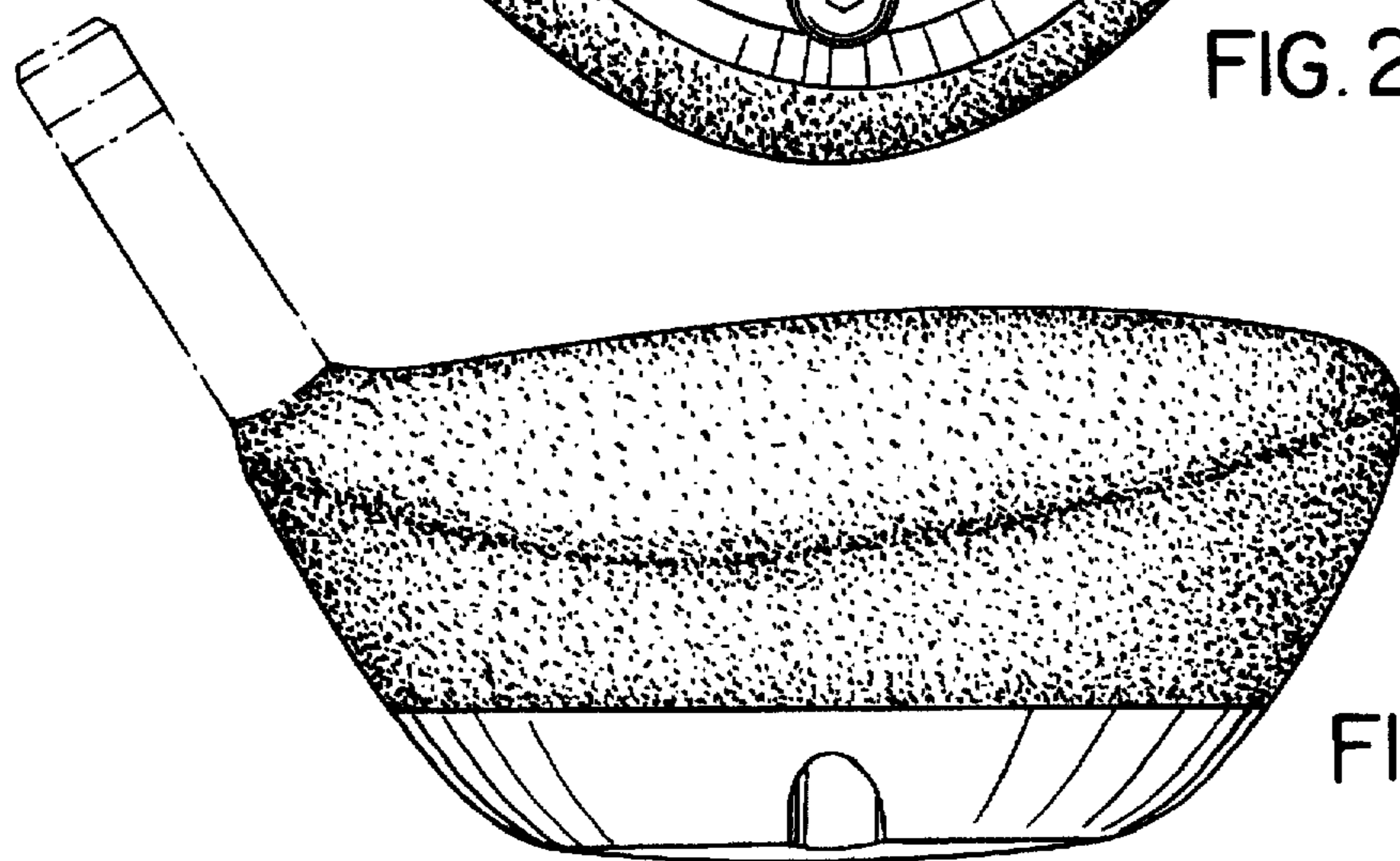


FIG. 3

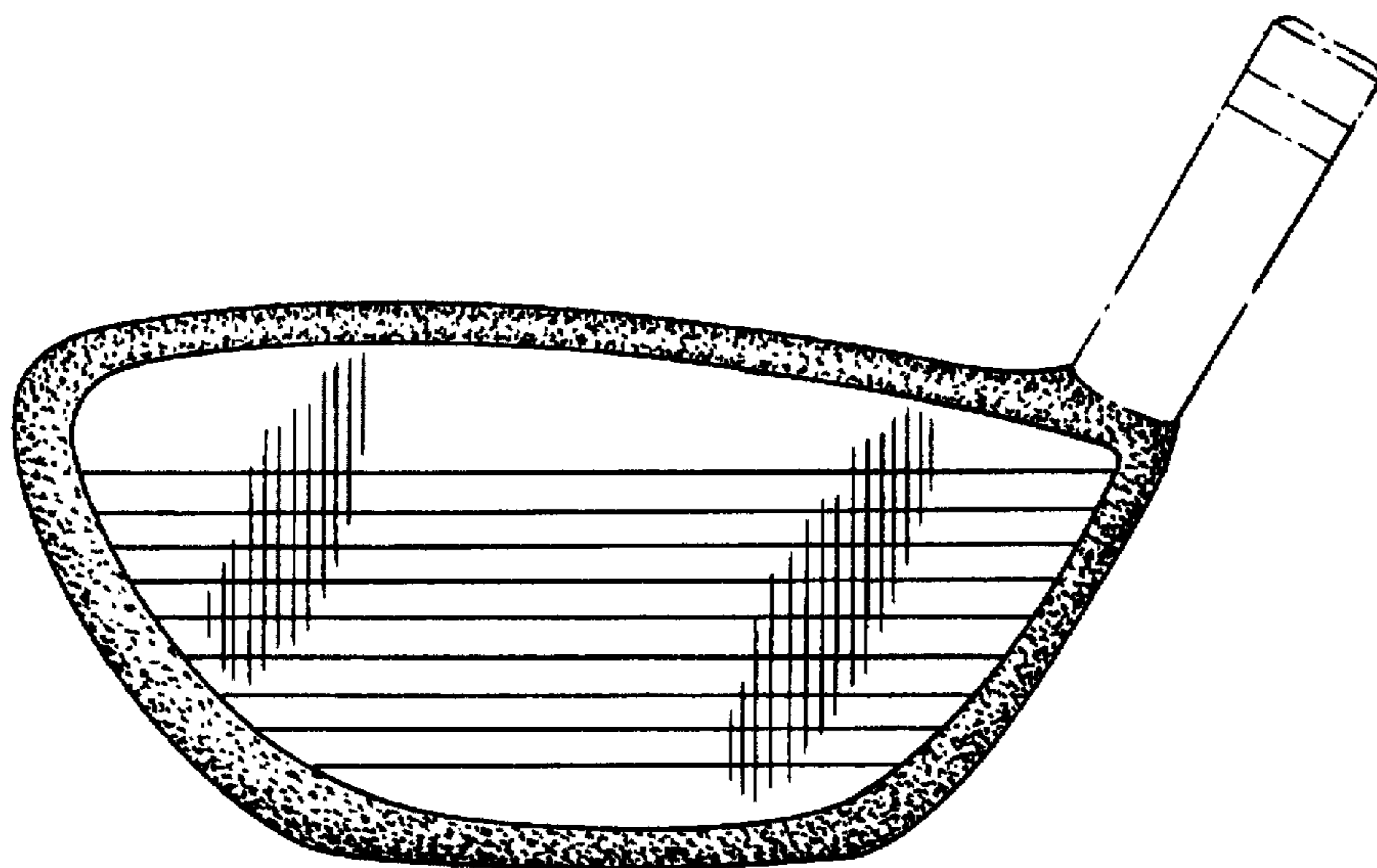


FIG. 4

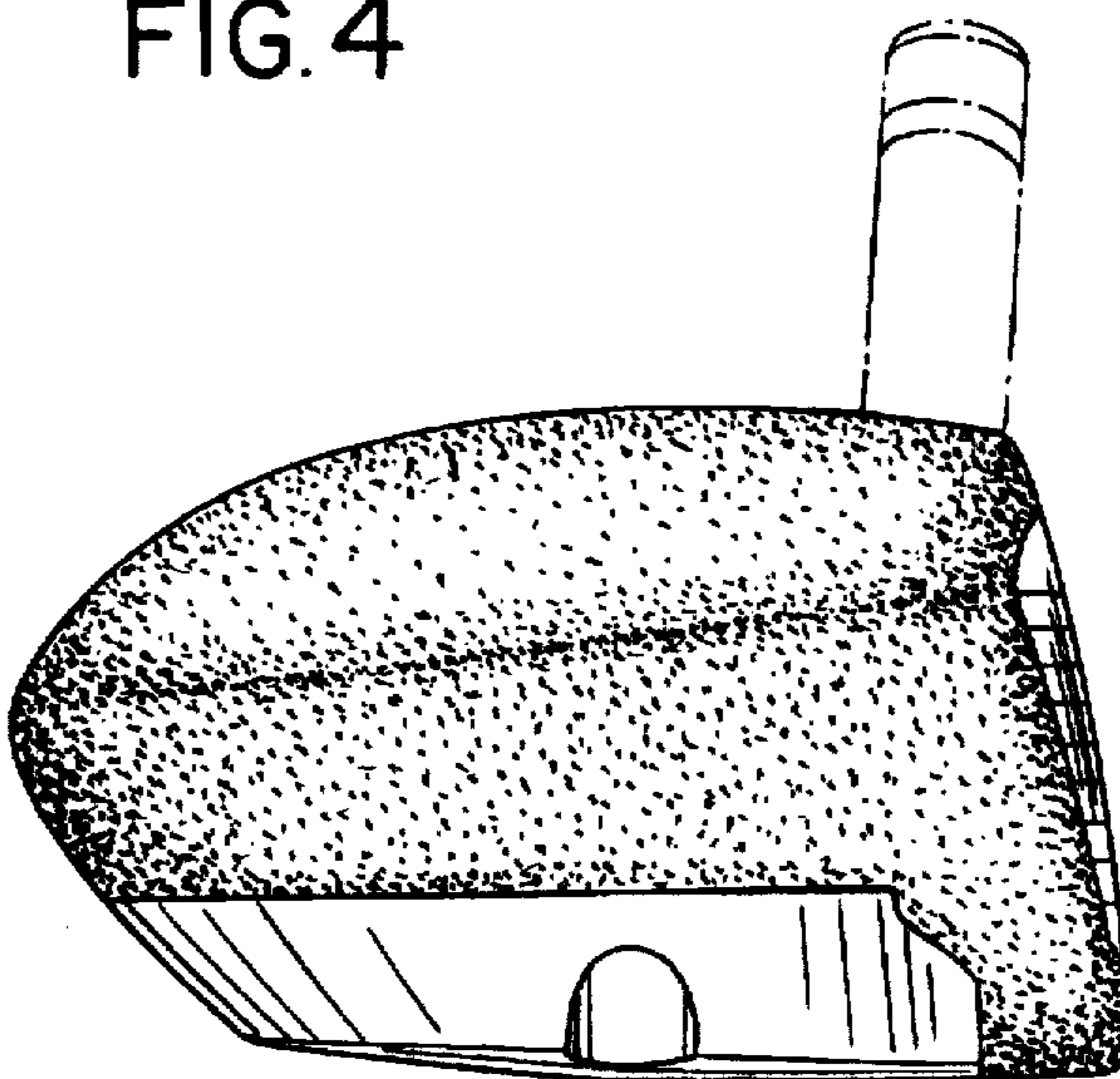


FIG. 5

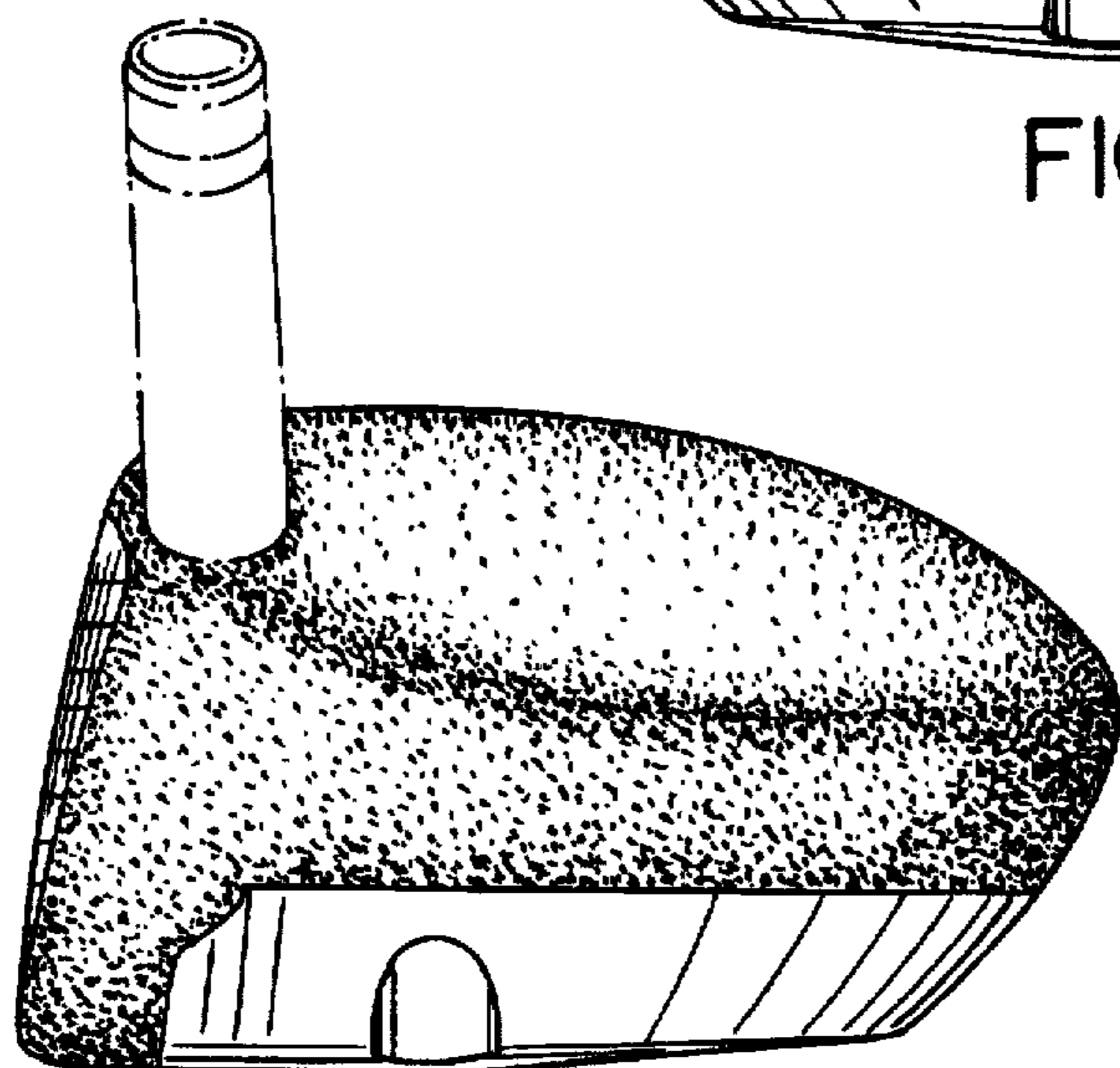


FIG. 6