



US00D384119S

United States Patent [19] Huff

[11] Patent Number: **Des. 384,119**

[45] Date of Patent: ****Sep. 23, 1997**

[54] **FOOTBALL PRACTICE RECEIVING DEVICE**

[76] Inventor: **Paul M. Huff**, Rte. 1 P.O. Box 318, Delano, Tenn. 37325

[**] Term: **14 Years**

[21] Appl. No.: **43,595**

[22] Filed: **Sep. 7, 1995**

[51] LOC (6) Cl. **21-99**

[52] U.S. Cl. **D21/200**

[58] Field of Search D21/200, 199, D21/212, 209, 5; 273/326, 55 D, 55 R, 55 B, 412, 26 A, 26 R, 396, 411; 473/195, 196, 197

[56] **References Cited**

U.S. PATENT DOCUMENTS

D. 223,165	3/1972	Komendat, Jr.	D21/199
D. 243,782	3/1977	Hickey	D21/200
D. 244,872	6/1977	Staley	D21/200
D. 298,268	10/1988	Hungerford	D21/212 X

2,247,852	7/1941	Saunders	273/412
3,929,334	12/1975	Magazzu	273/26 A
4,068,846	1/1978	Forrest	473/195 X
4,836,542	6/1989	Crawley	273/55 B
5,224,703	7/1993	Osher	273/326 X
5,505,443	4/1996	Padilla	273/26 R

Primary Examiner—Sandra L. Morris
Assistant Examiner—Cheri Cohen
Attorney, Agent, or Firm—Harold H. Dutton, Jr.; Diane F. Liebman

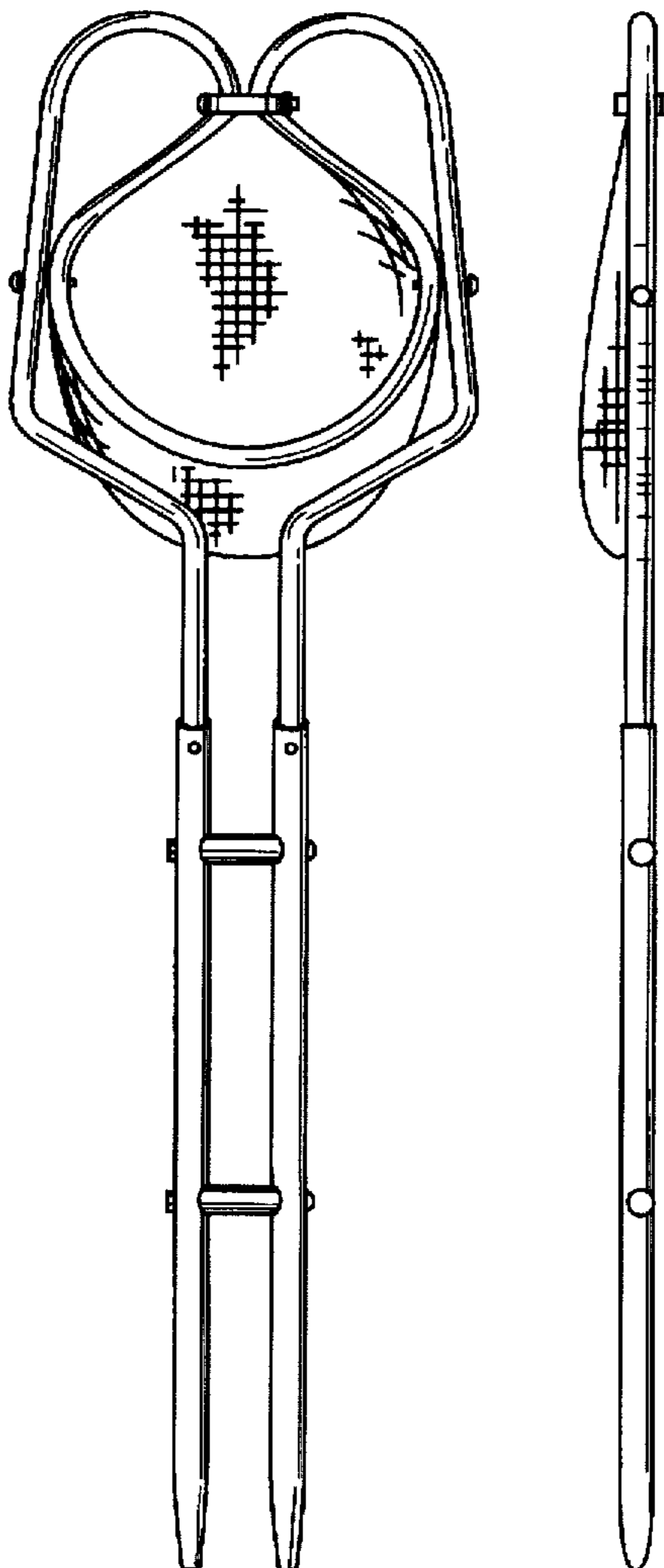
[57] **CLAIM**

The ornamental design for a football practice receiving device, as shown.

DESCRIPTION

FIG. 1 is a front view of a football practice receiving device showing my new design;
FIG. 2 is a rear view thereof;
FIG. 3 is a left side view thereof;
FIG. 4 is a right side view thereof;
FIG. 5 is a top view thereof; and,
FIG. 6 is a bottom view thereof.

1 Claim, 3 Drawing Sheets



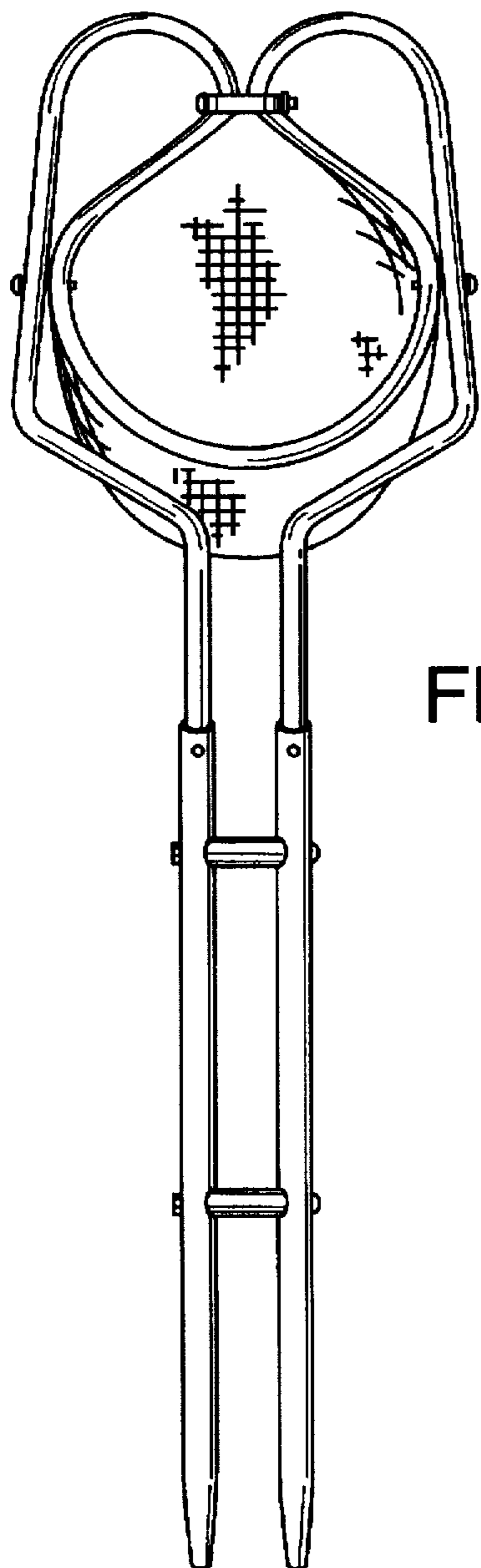


FIG. 1

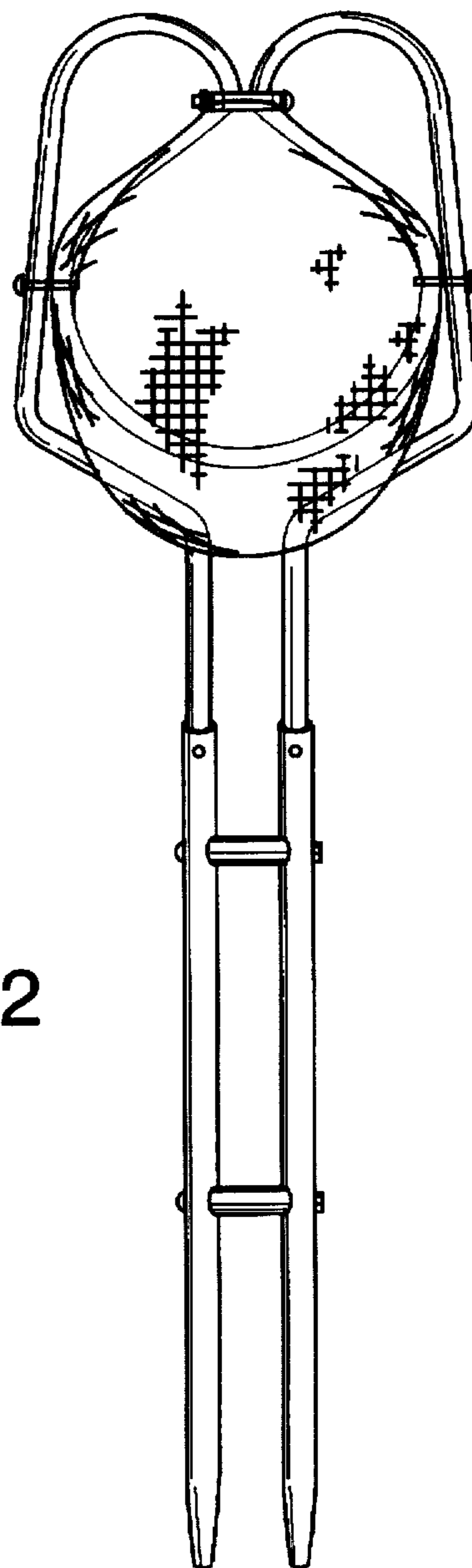


FIG. 2

FIG. 3

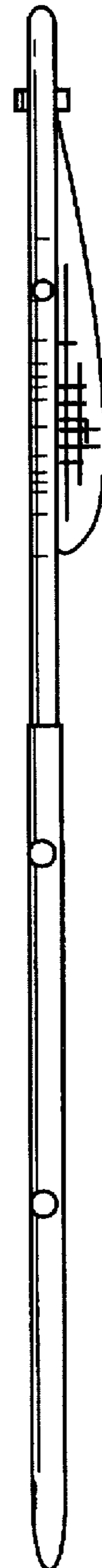


FIG. 4

FIG. 5



FIG. 6

