



US00D384118S

United States Patent [19]

[11] Patent Number: **Des. 384,118**

Deblauw

[45] Date of Patent: ****Sep. 23, 1997**

[54] **EXERCISE MACHINE**

[75] Inventor: **Michael Deblauw**, San Jose, Calif.

[73] Assignee: **Healthrider Corp.**, Logan, Utah

[**] Term: **14 Years**

[21] Appl. No.: **51,346**

[22] Filed: **Mar. 5, 1996**

[51] LOC (6) Cl. **21-02**

[52] U.S. Cl. **D21/195**

[58] Field of Search D21/191, 194,
D21/195; 482/72, 95, 51, 57, 62, 96, 137

[56] **References Cited**

U.S. PATENT DOCUMENTS

D. 174,738	5/1955	Cowgill	D21/195
D. 344,112	2/1994	Smith	D21/195
D. 356,128	3/1995	Smith et al.	D21/195
D. 358,437	5/1995	Wang	D21/191

5,178,599	1/1993	Scott	482/96
5,342,269	8/1994	Hoang et al.	482/96
5,356,358	10/1994	Chen	482/57
5,366,428	11/1994	Liao	482/57
5,464,378	11/1995	Yu	482/72

Primary Examiner—Philip S. Hyder

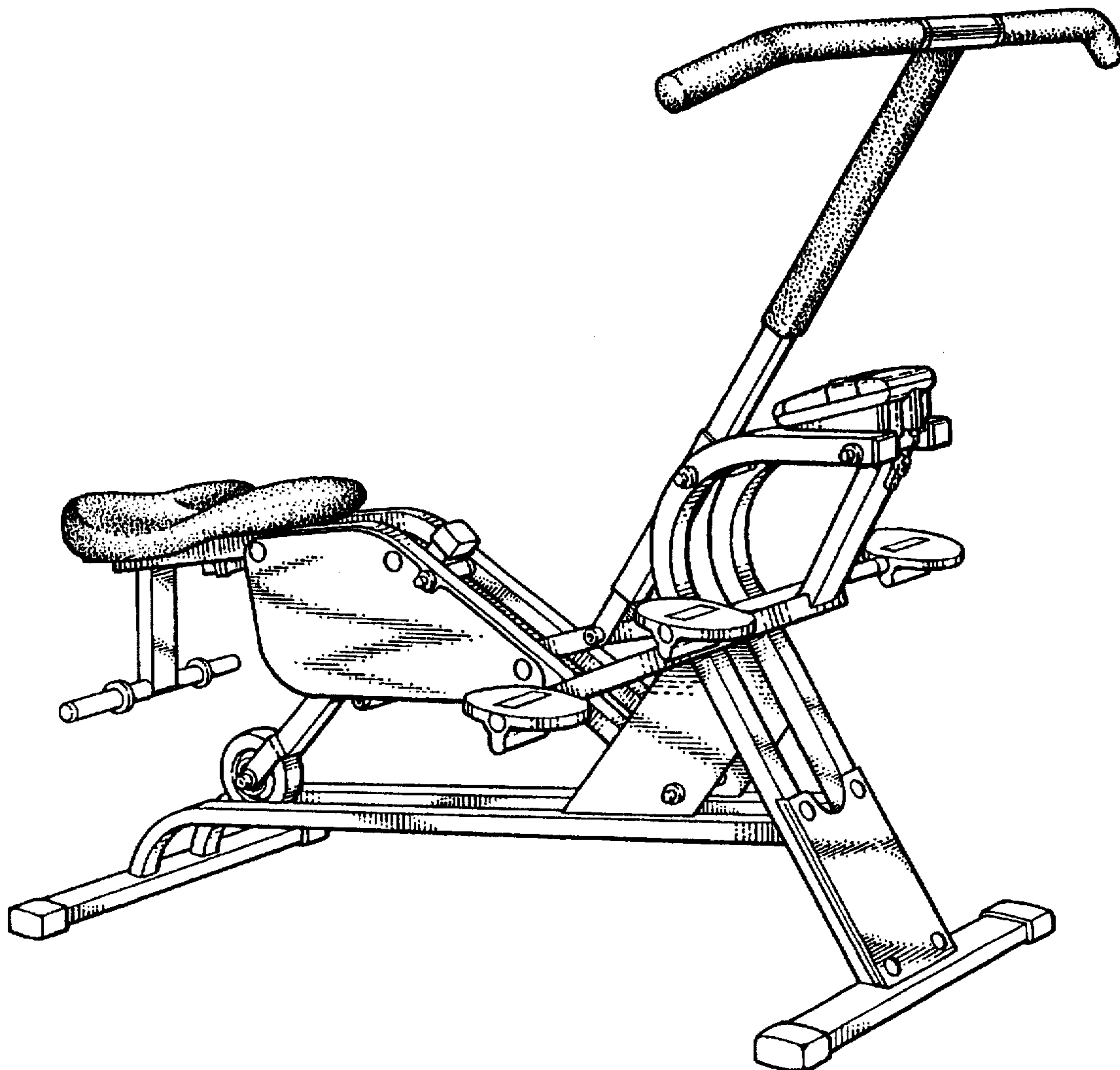
[57] **CLAIM**

The ornamental design for an exercise machine, as shown and described.

DESCRIPTION

FIG. 1 is a front and right side perspective view of an exercise machine showing my new design;
 FIG. 2 is a left side elevational view, the right side view being a mirror image thereof;
 FIG. 3 is a top plan view;
 FIG. 4 is a bottom plan view;
 FIG. 5 is a front elevational view; and,
 FIG. 6 is a rear elevational view.

1 Claim, 3 Drawing Sheets



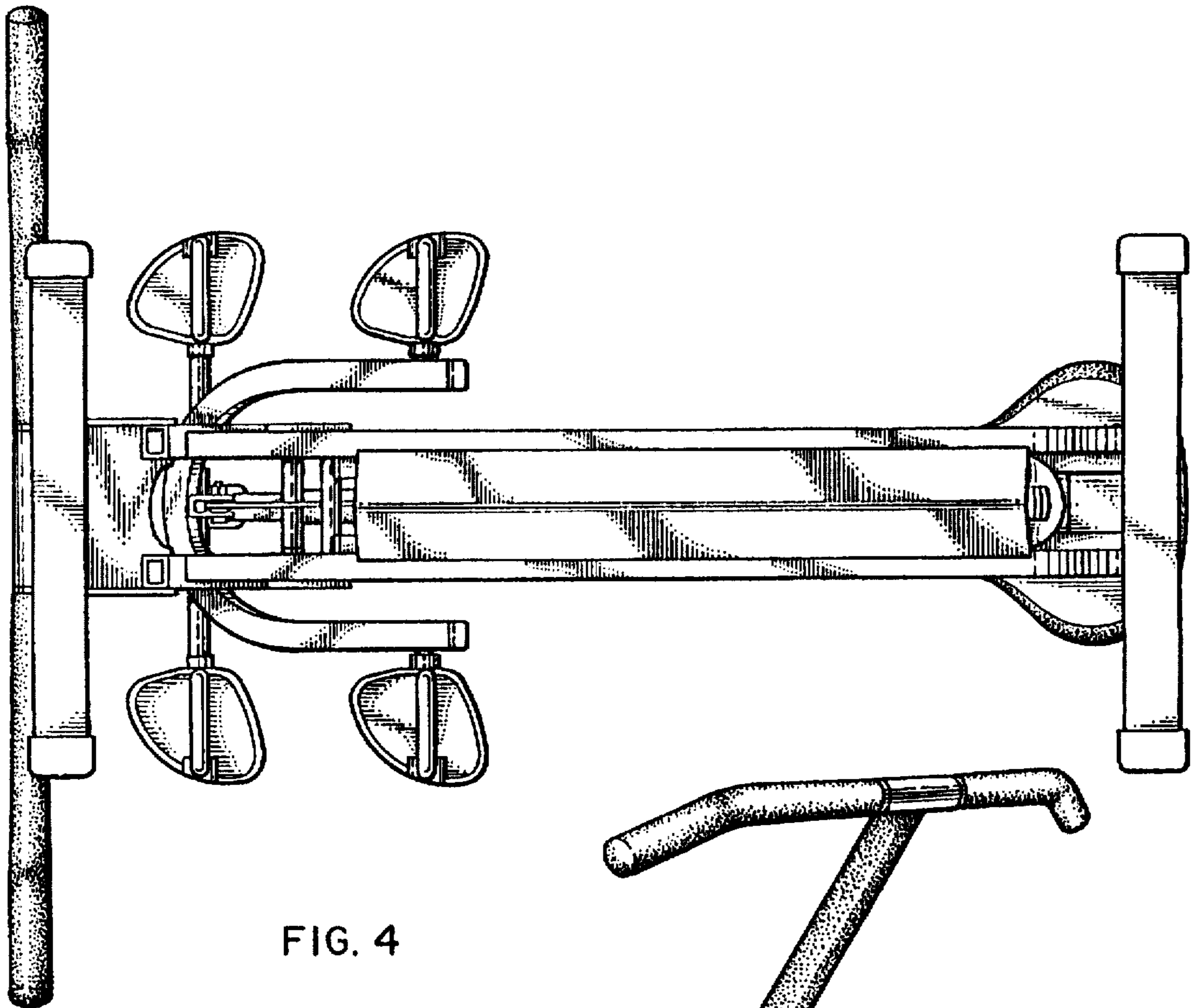


FIG. 4

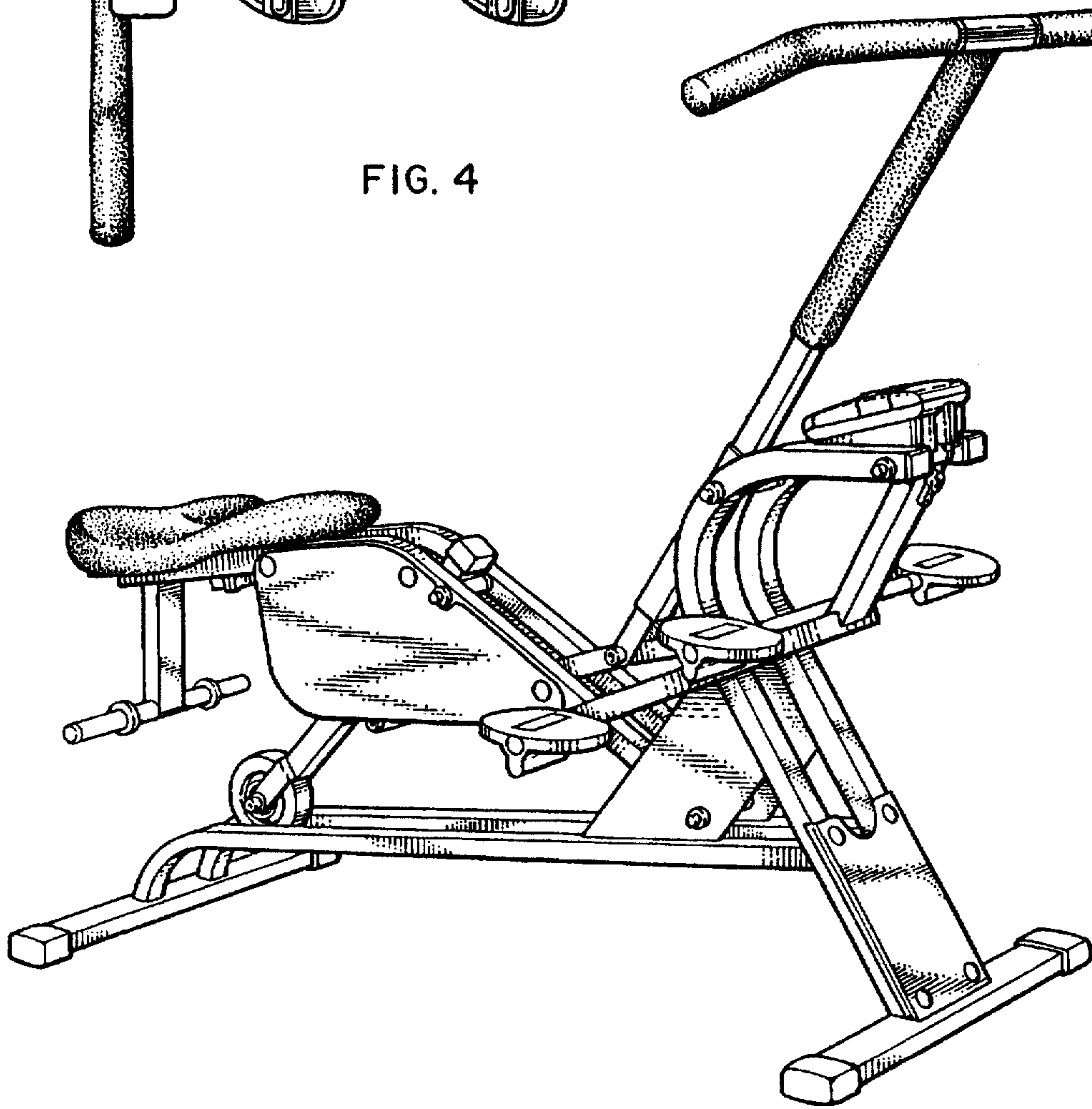


FIG. 1

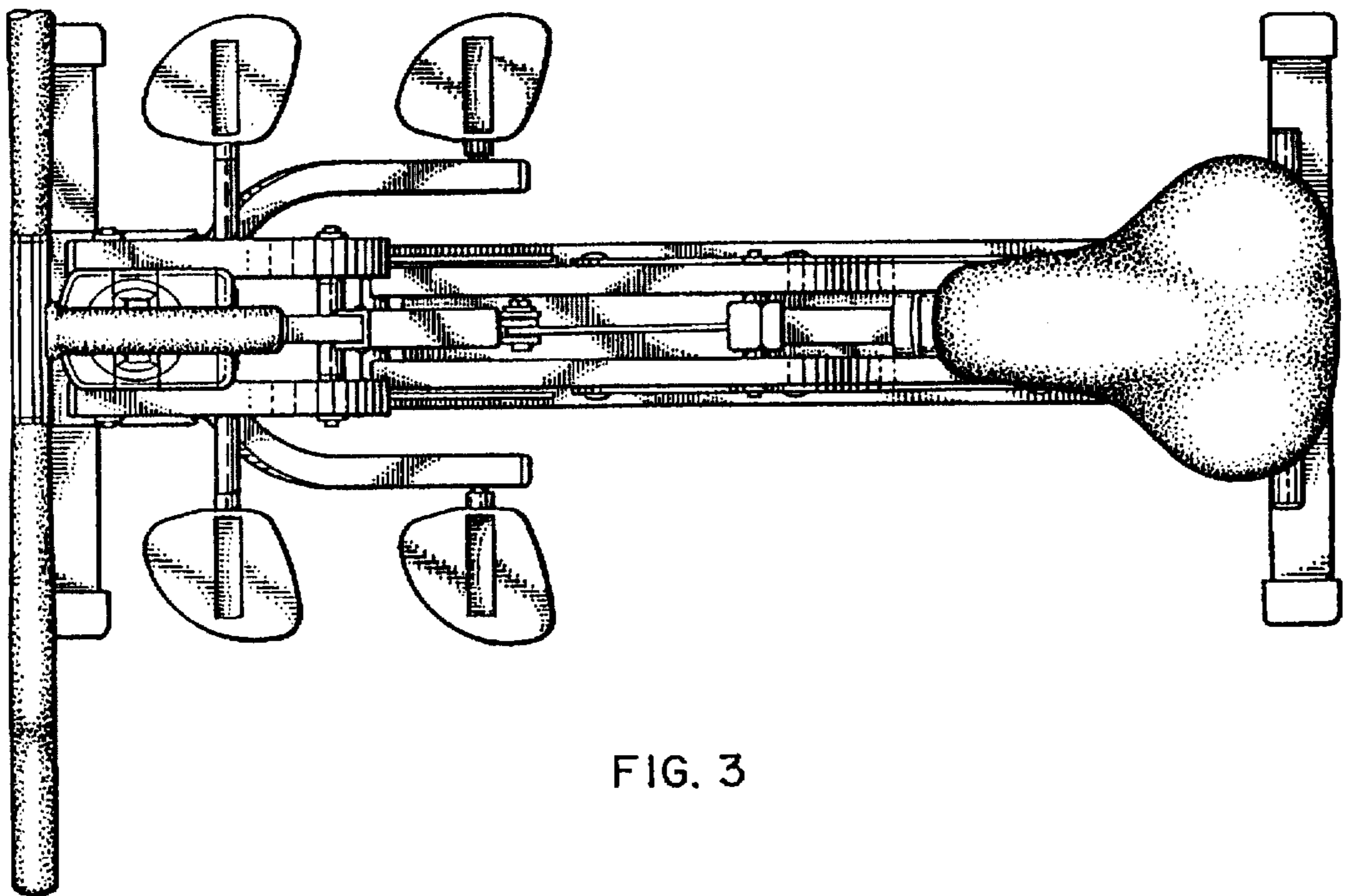


FIG. 3

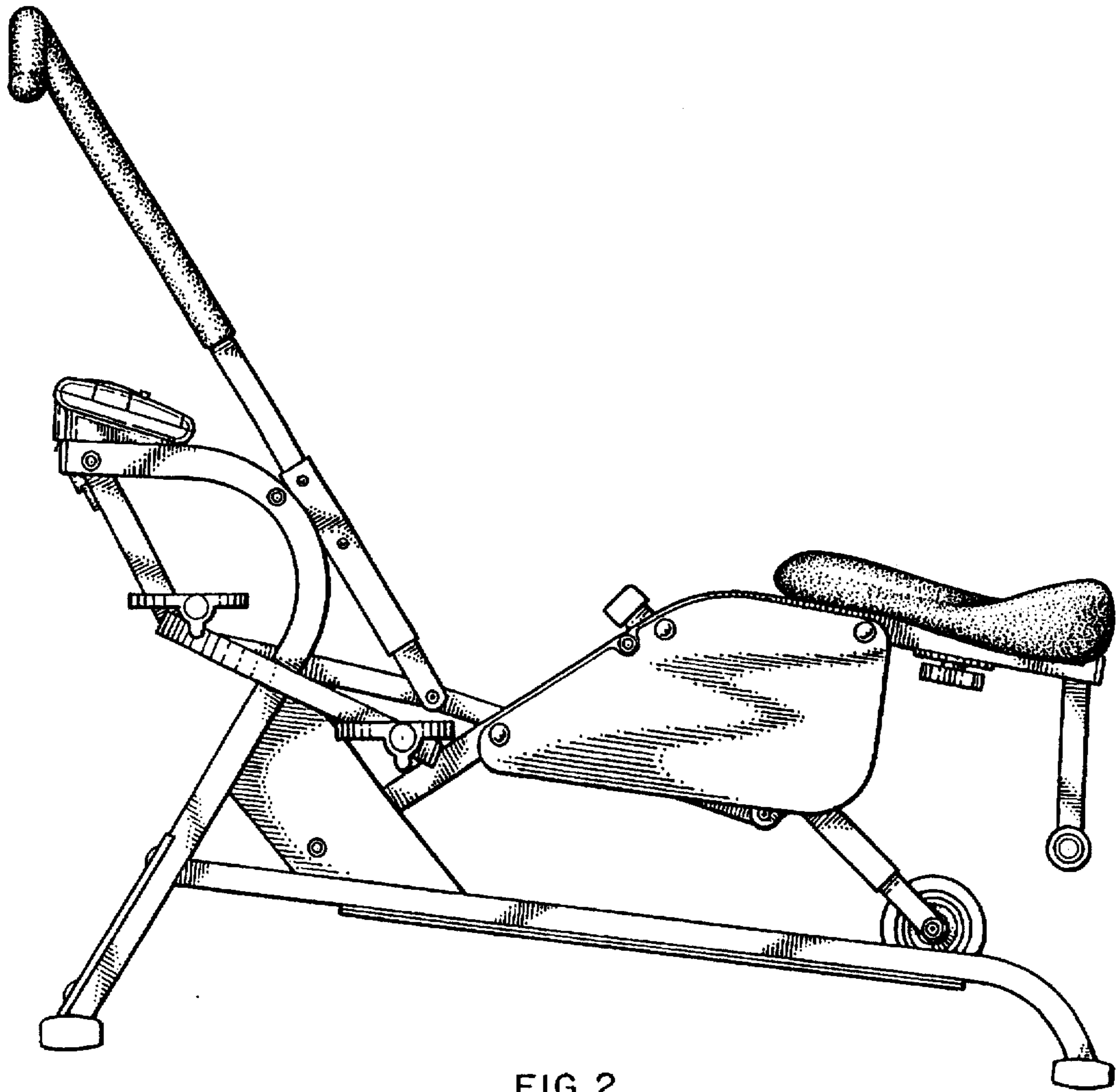


FIG. 2

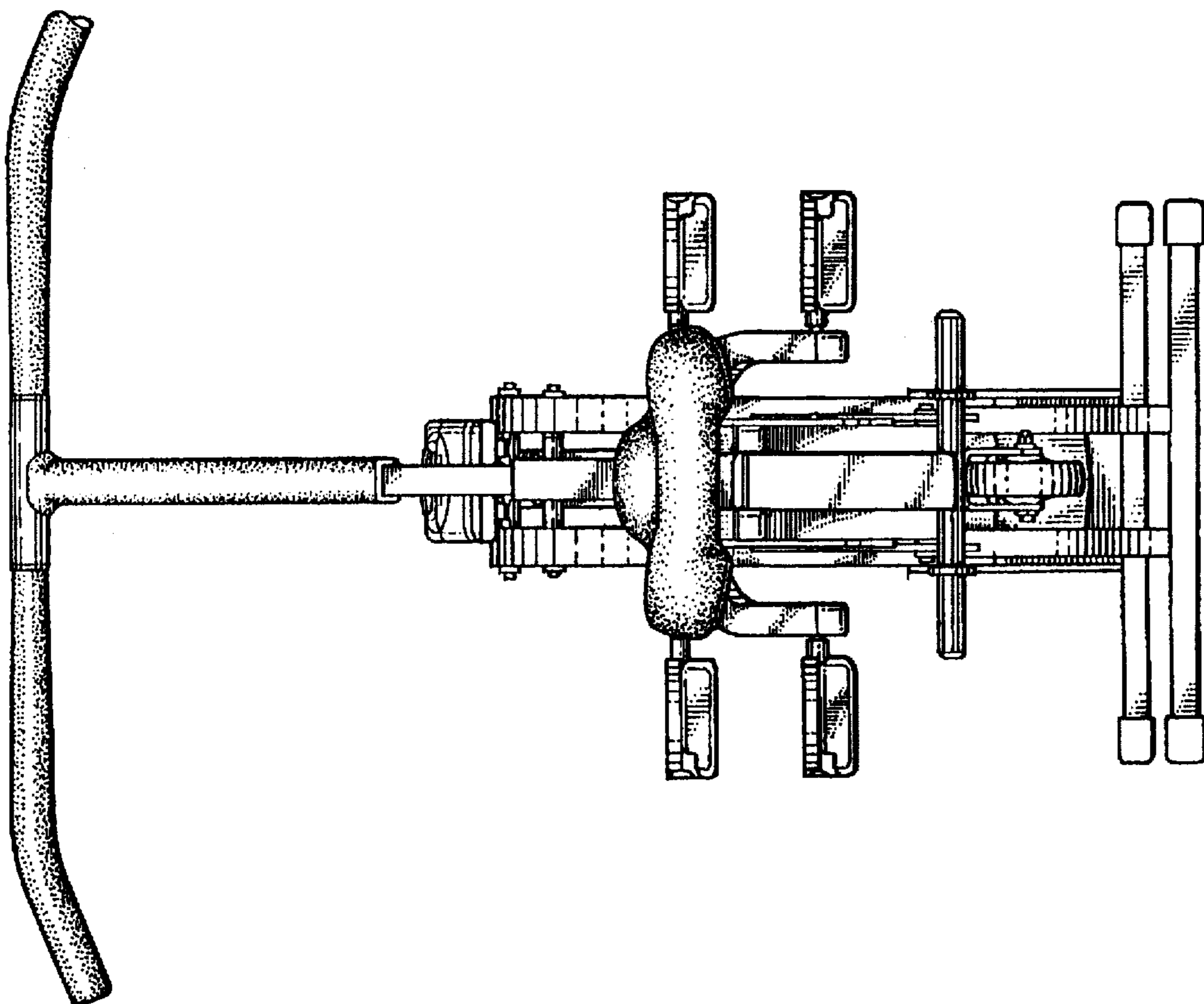


FIG. 6

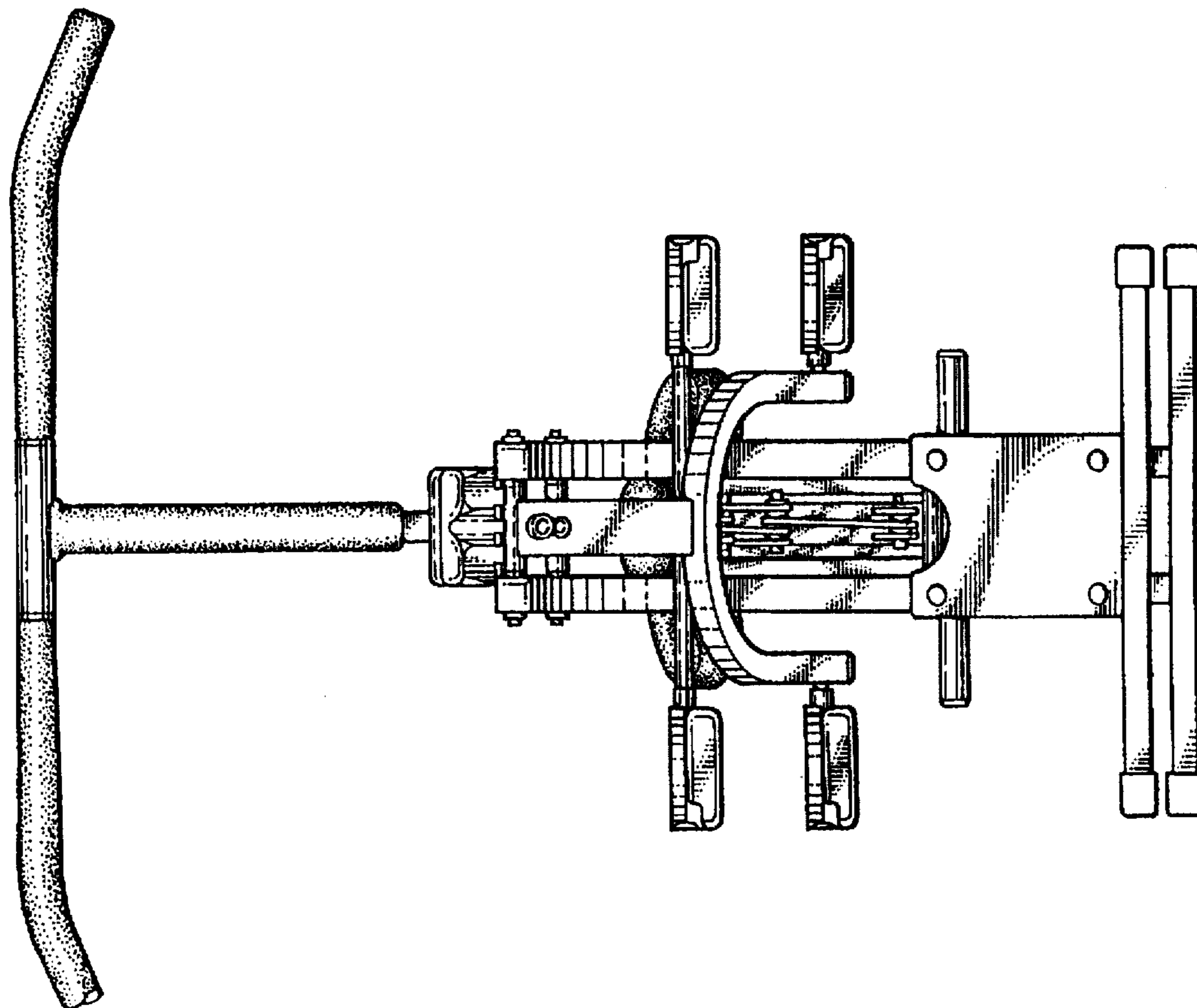


FIG. 5