



US00D384117S

United States Patent [19]

[11] Patent Number: **Des. 384,117**

Piaget et al.

[45] Date of Patent: ****Sep. 23, 1997**

[54] STRENGTH TRAINING APPARATUS

[75] Inventors: **Gary D. Piaget; Trace O. Gordon**, both of Park City, Utah; **Mark R. Nestande**, Chaska, Minn.; **Paul M. Theisen**, Shakopee, Minn.; **John E. Titus**, Prior Lake, Minn.; **James B. Easley**, Minneapolis, Minn.

[73] Assignee: **Fitness Master, Inc.**, Waconia, Minn.

[**] Term: **14 Years**

[21] Appl. No.: **46,466**

[22] Filed: **Nov. 15, 1995**

[51] LOC (6) Cl. **21-02**

[52] U.S. Cl. **D21/195**

[58] Field of Search D21/191, 195;
482/97, 98, 130, 133, 141, 142, 122, 123,
138, 137

[56] References Cited

U.S. PATENT DOCUMENTS

D. 303,558 9/1989 Alessandri D21/195

D. 342,106	12/1993	Campbell et al.	D21/191
D. 347,251	5/1994	Dreibelbis et al.	D21/195
4,902,007	2/1990	Ferrari	482/138
5,232,426	8/1993	Van Straaten	482/142
5,330,405	7/1994	Habing et al.	482/138
5,346,447	9/1994	Stearns	482/93
5,362,296	11/1994	Wang et al.	482/133
5,387,171	2/1995	Casey et al.	482/133

Primary Examiner—Philip S. Hyder
Attorney, Agent, or Firm—Salter & Michaelson

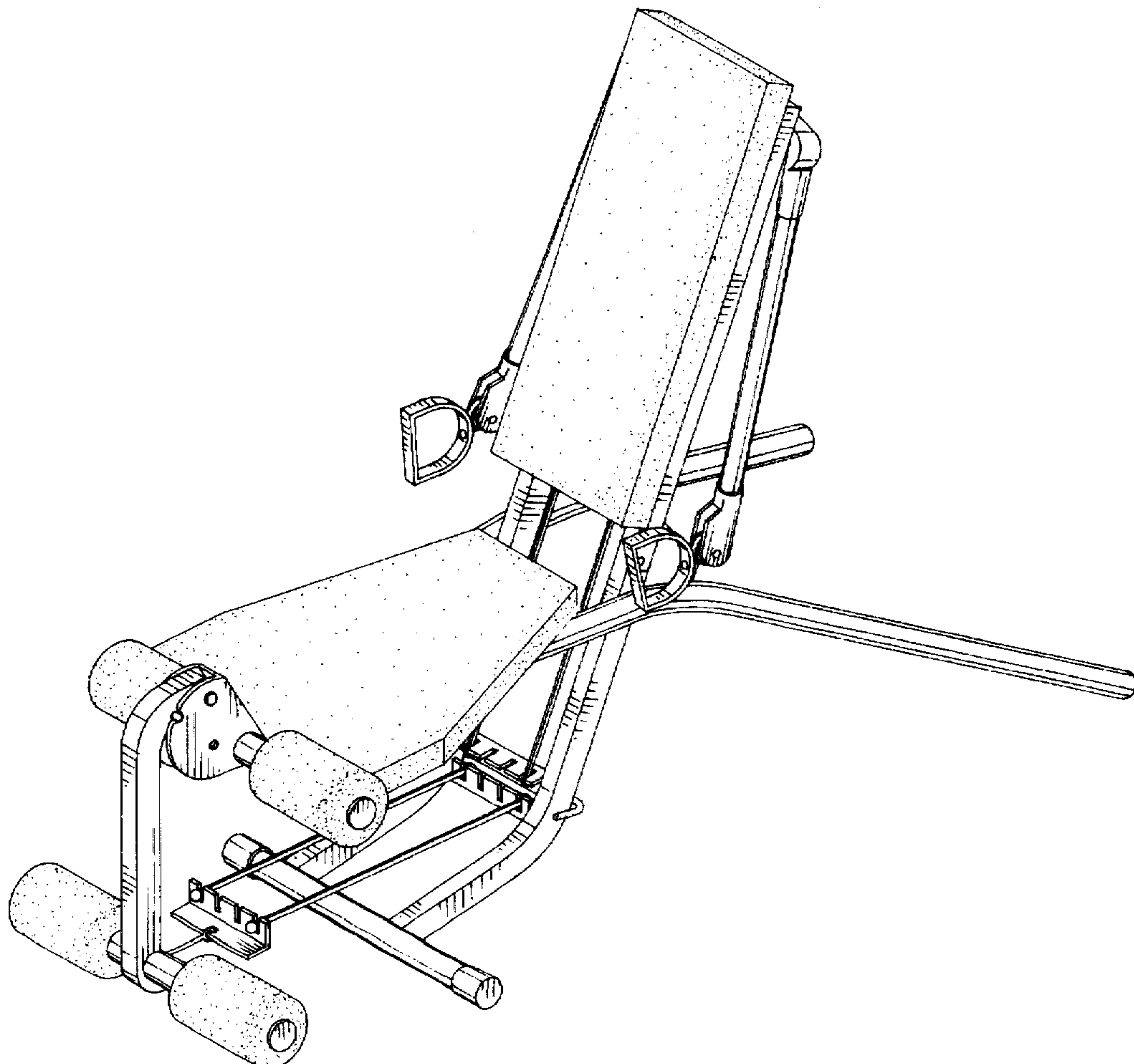
[57] CLAIM

The ornamental design for a strength training apparatus, as shown and described.

DESCRIPTION

FIG. 1 is a perspective view illustrating our new design for a strength training apparatus;
FIG. 2 is a side view thereof, the opposite side being a mirror image;
FIG. 3 is a back view thereof;
FIG. 4 is a front view thereof;
FIG. 5 is a top view thereof; and,
FIG. 6 is a bottom view thereof.

1 Claim, 4 Drawing Sheets



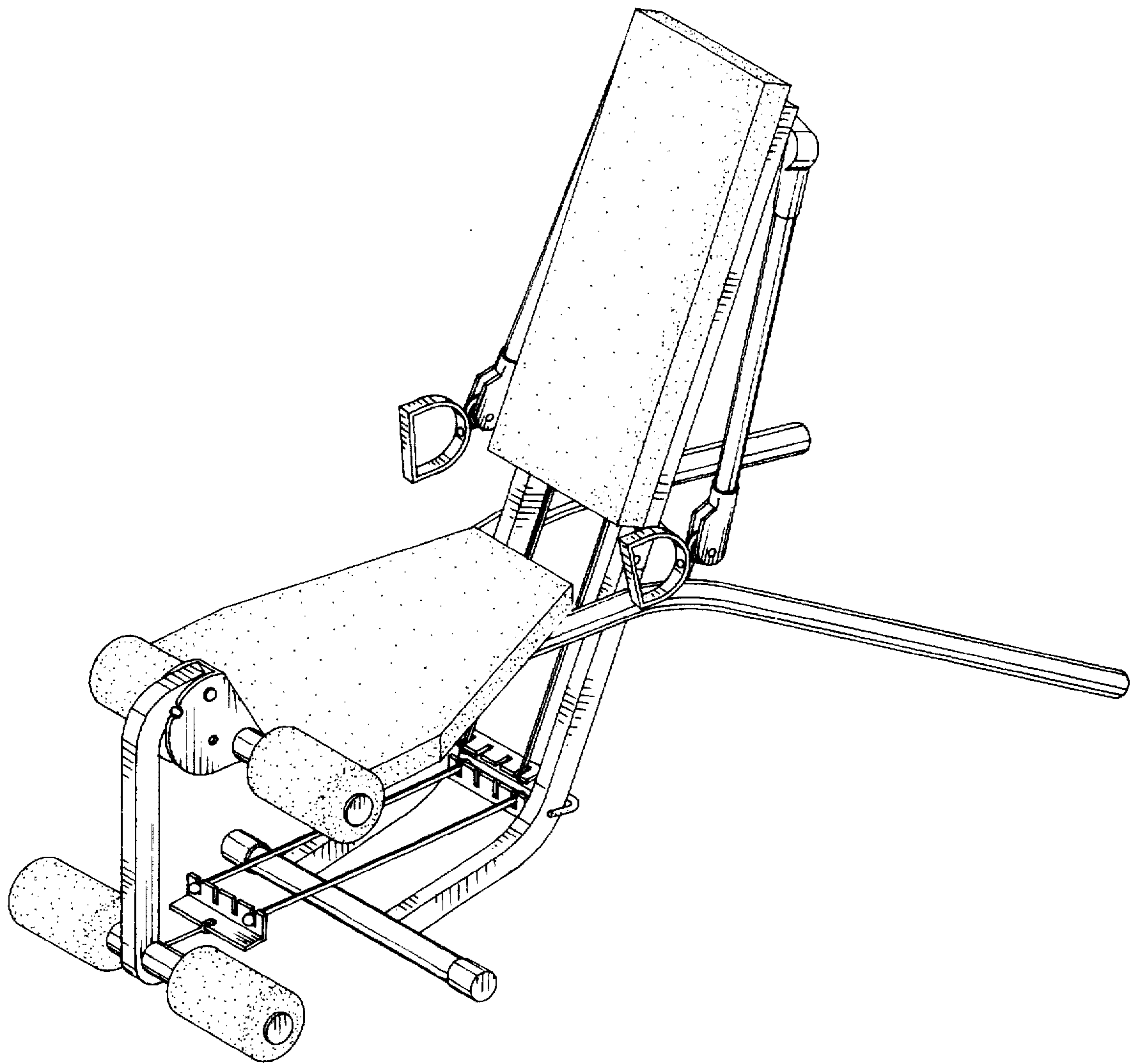


FIG. 1

FIG. 2

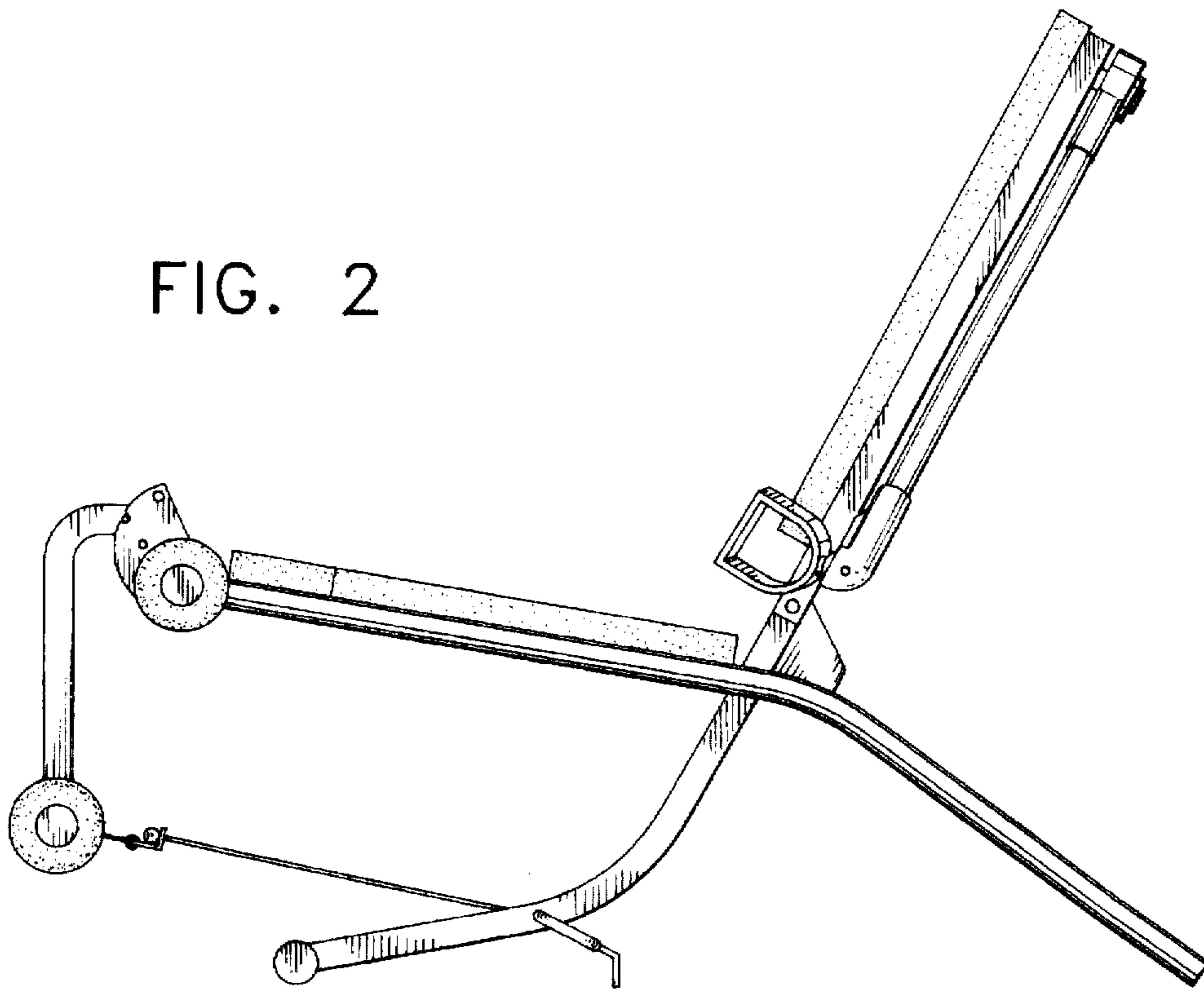
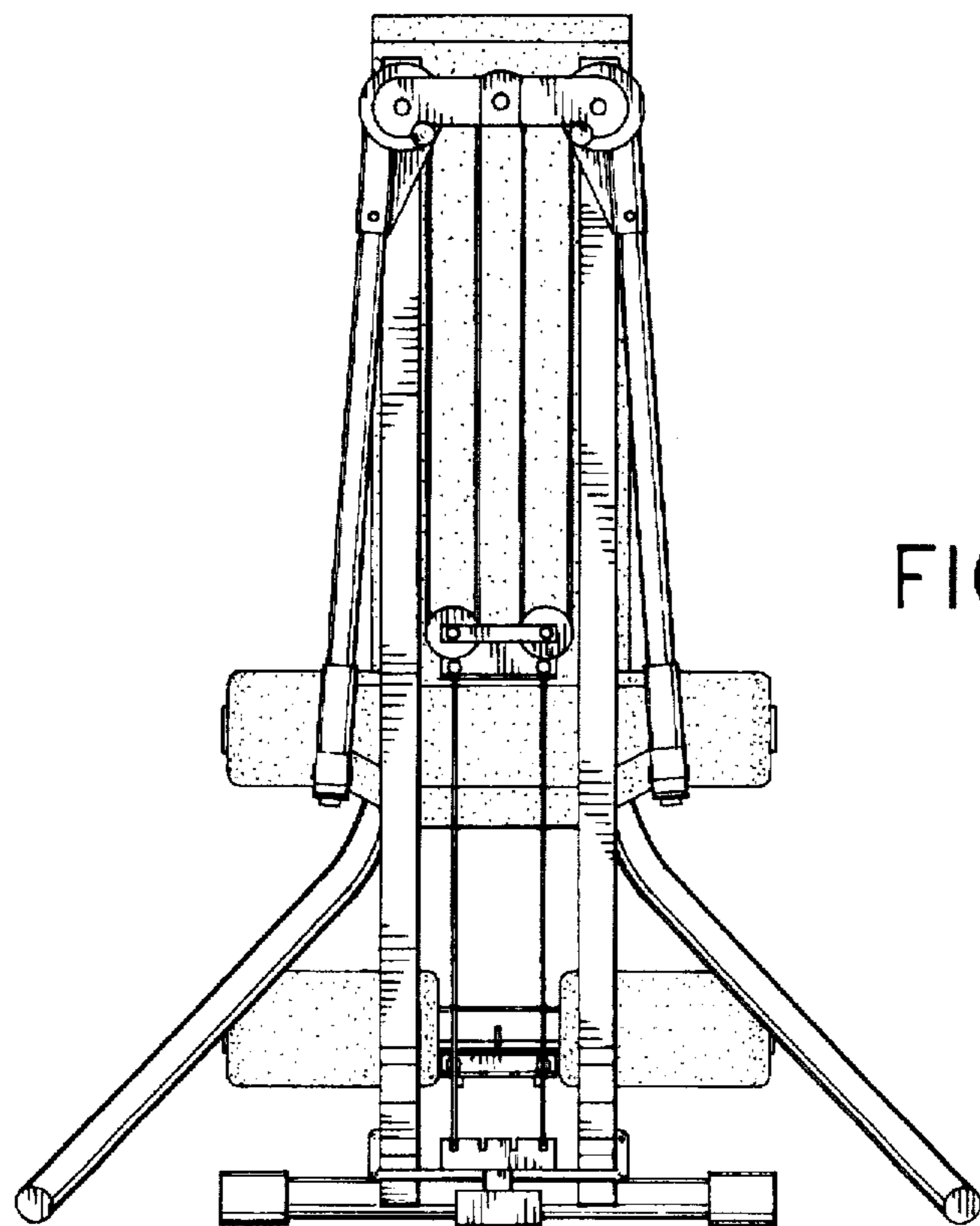


FIG. 3



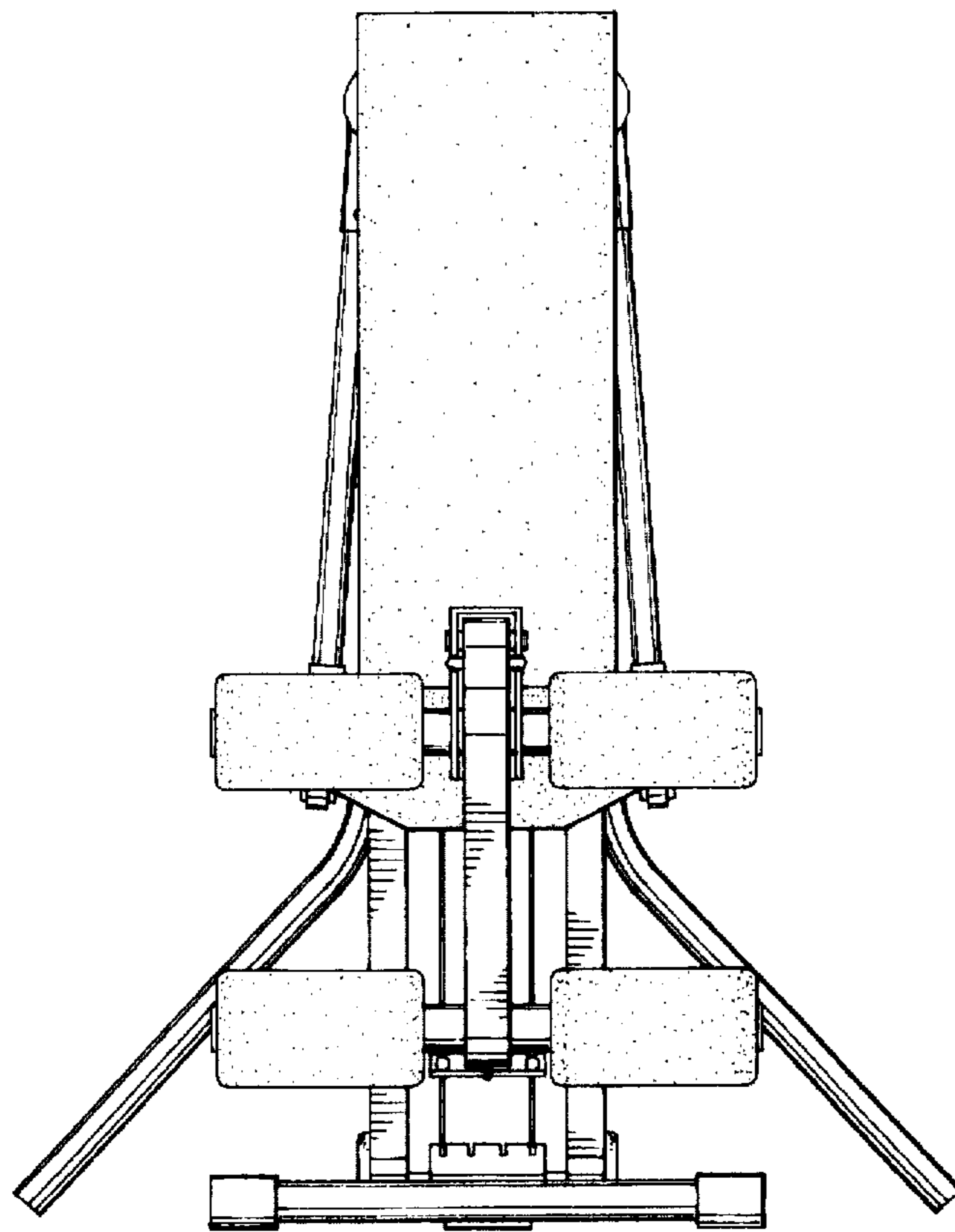


FIG. 4

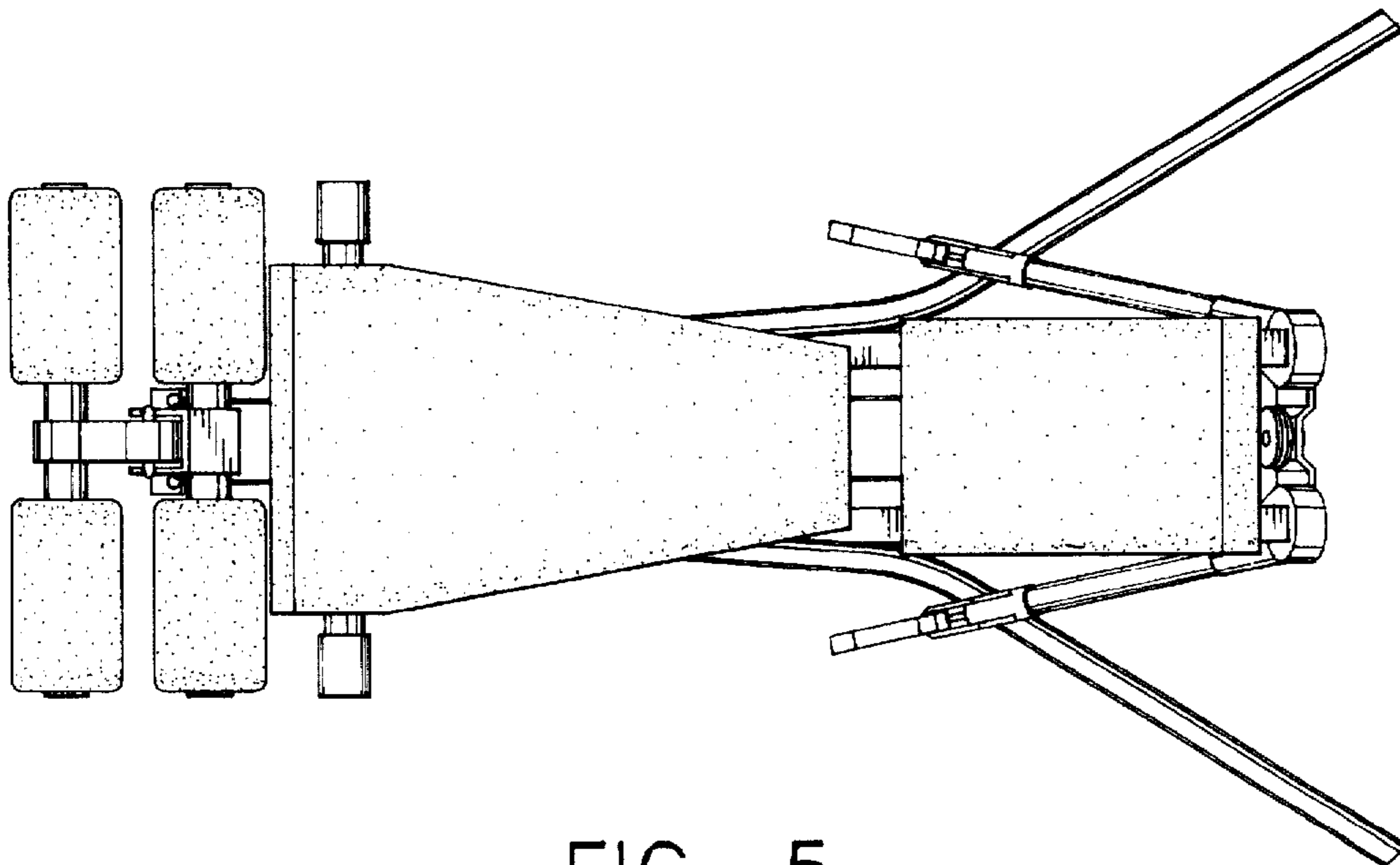


FIG. 5

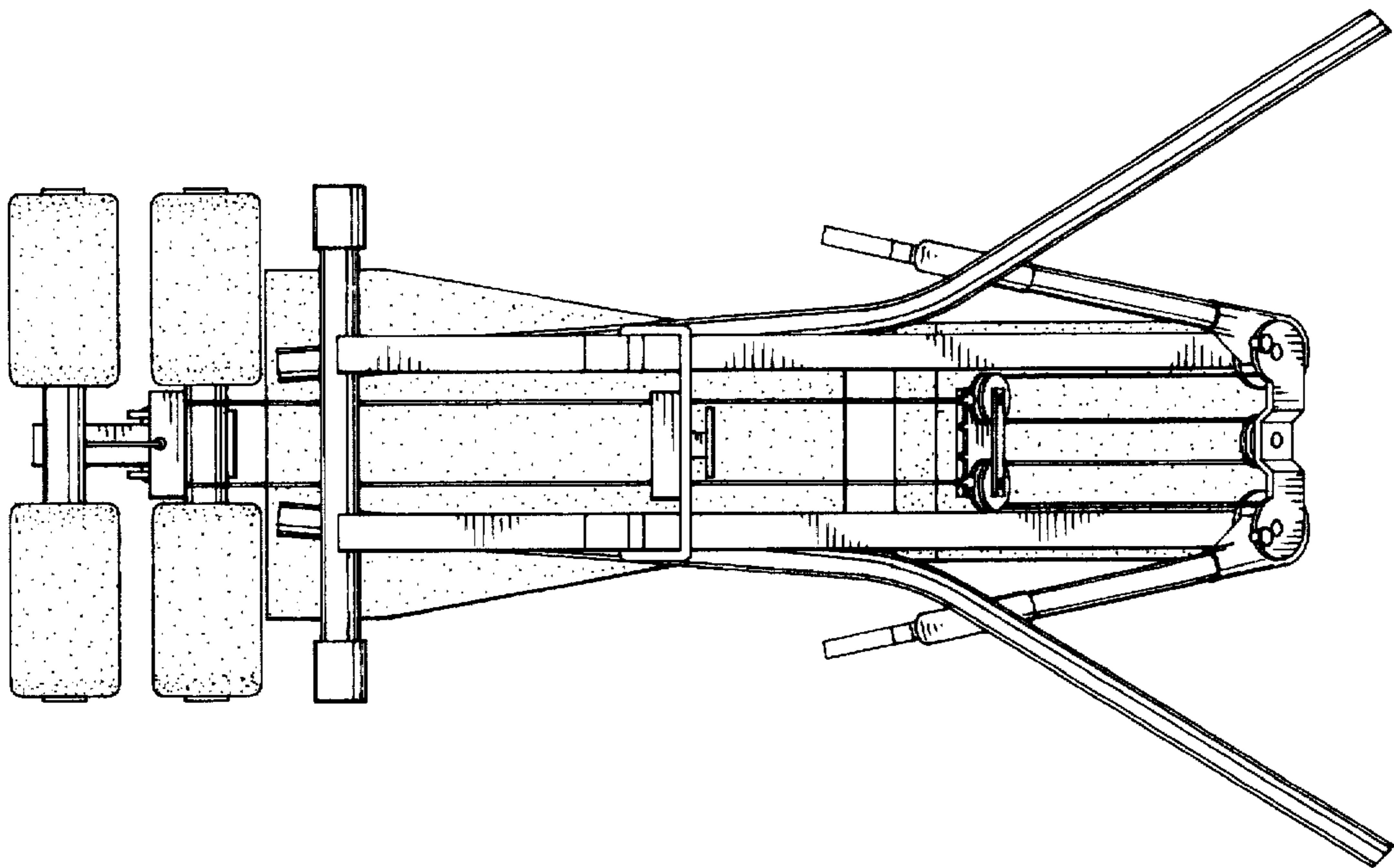


FIG. 6