



US00D384115S

United States Patent [19]

[11] Patent Number: **Des. 384,115**

Wilkinson et al.

[45] Date of Patent: ****Sep. 23, 1997**

[54] TRAMPOLINE EXERCISER

[75] Inventors: **William T. Wilkinson**, Sunset Dr., R.D. #1, Salem, N.J. 08079; **Richard S. Wyerman**, Doylestown, Pa.

[73] Assignee: **William T. Wilkinson**, Salem, N.J.

[**] Term: **14 Years**

[21] Appl. No.: **45,512**

[22] Filed: **Oct. 23, 1995**

Related U.S. Application Data

[62] Division of Ser. No. 20,105, Mar. 18, 1994, Pat. No. Des. 362,478.

[51] LOC (6) Cl. **21-02**

[52] U.S. Cl. **D21/191**

[58] Field of Search D21/191, 192, D21/193, 194; 482/27, 28, 71, 73

[56] References Cited

U.S. PATENT DOCUMENTS

D. 304,850 11/1989 Chambers D21/192

4,225,131	9/1980	Sidlinger et al.	482/27
4,477,070	10/1984	Appelbaum	482/28
4,489,933	12/1984	Fisher et al.	482/28
4,598,905	7/1986	Vrana	482/27
4,630,816	12/1986	Hill	482/27
4,824,100	4/1989	Hall et al.	482/28
4,836,530	6/1989	Stanley, Jr.	482/27
5,007,638	4/1991	Yukl	482/28
5,074,550	12/1991	Sloan	482/71

Primary Examiner—Philip S. Hyder
Attorney, Agent, or Firm—Connolly & Hutz

[57] CLAIM

The ornamental design for a trampoline exerciser, as shown and described.

DESCRIPTION

FIG. 1 is a top plan view of a trampoline exerciser showing our new design;
FIG. 2 is a front elevational view thereof;
FIG. 3 is a left side elevational view thereof with the right hand side elevational view being a mirror image thereof;
FIG. 4 is a rear elevational view thereof; and,
FIG. 5 is a bottom plan view thereof.

1 Claim, 2 Drawing Sheets

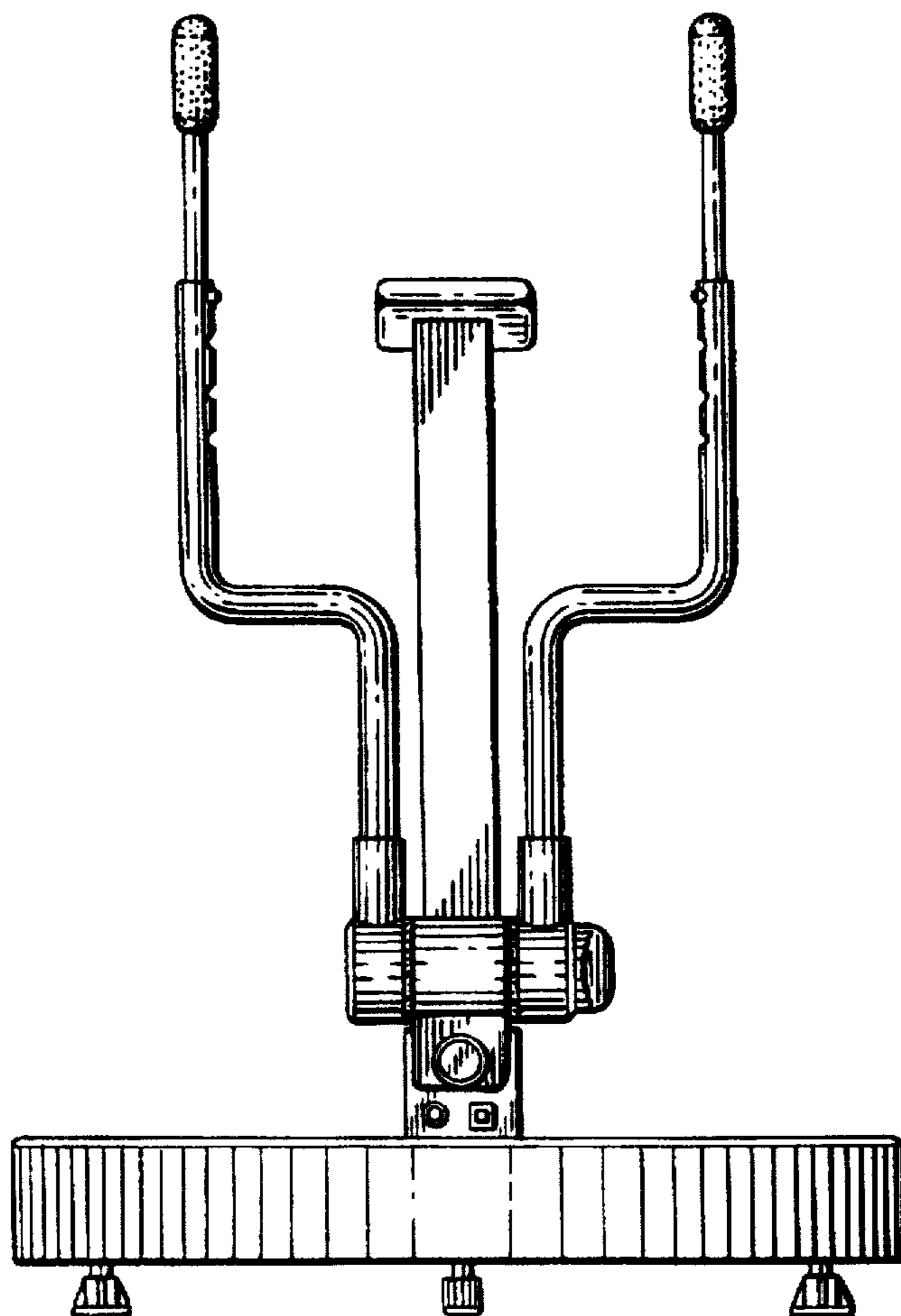


Fig. 1.

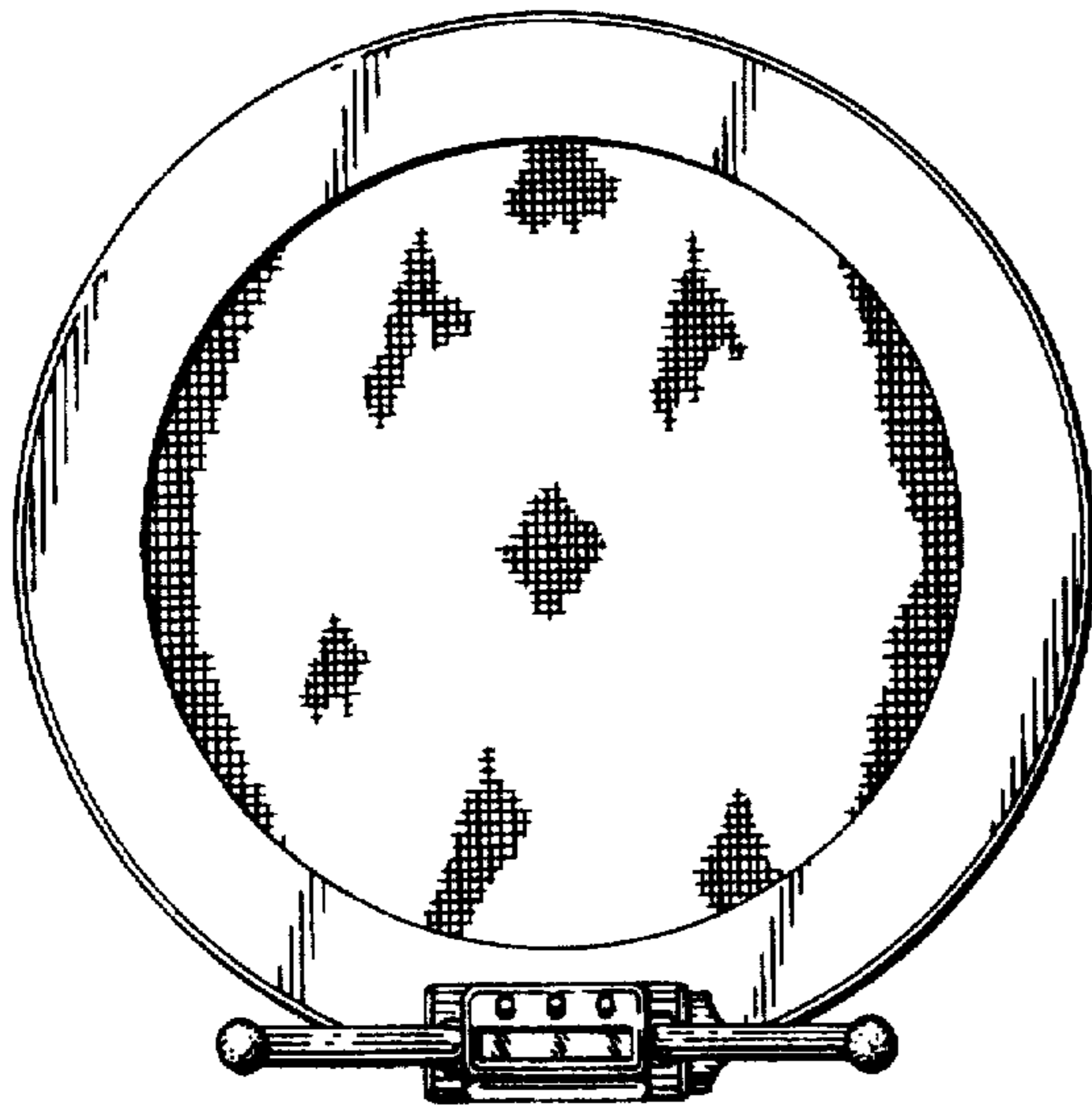


Fig. 5.

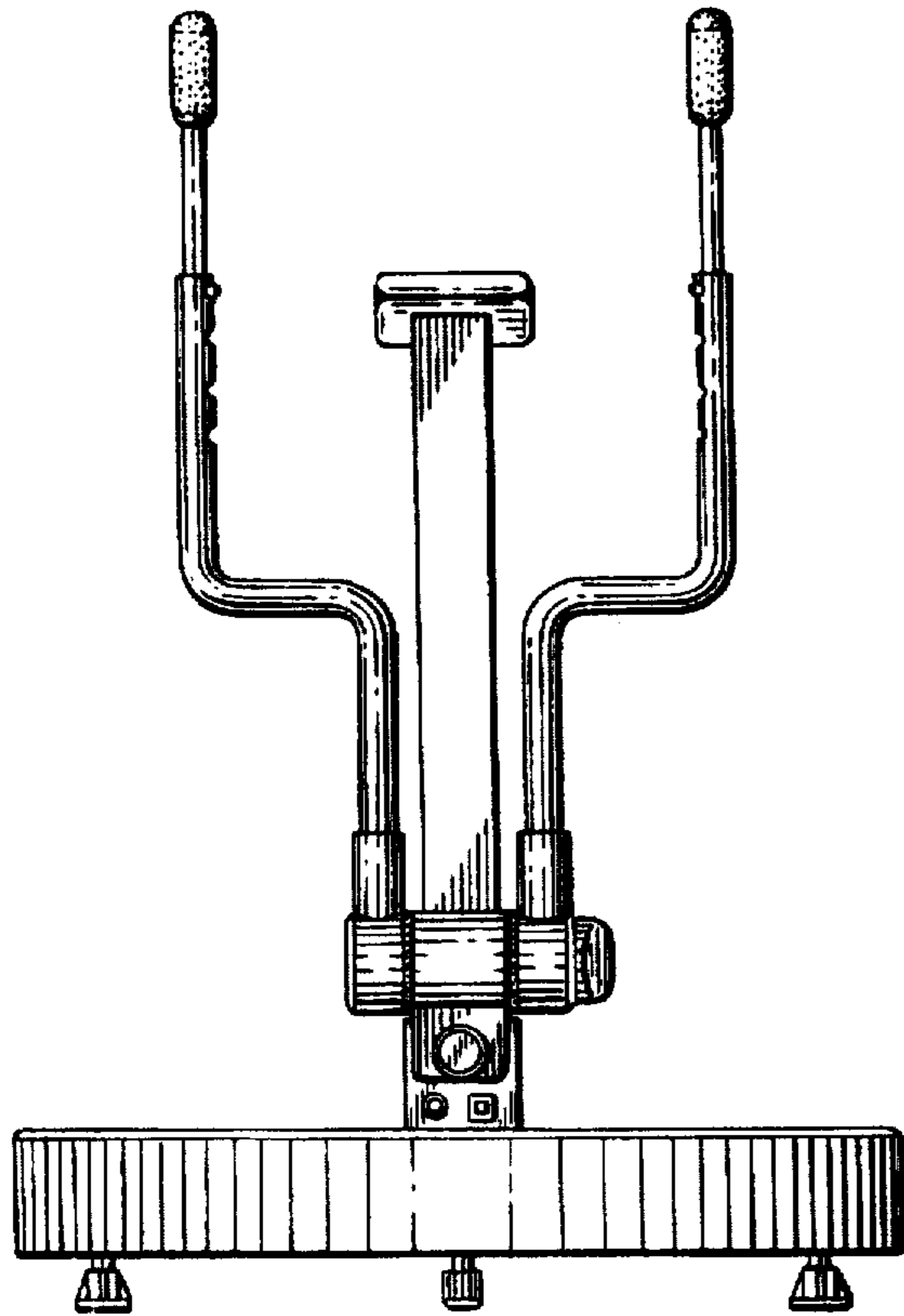
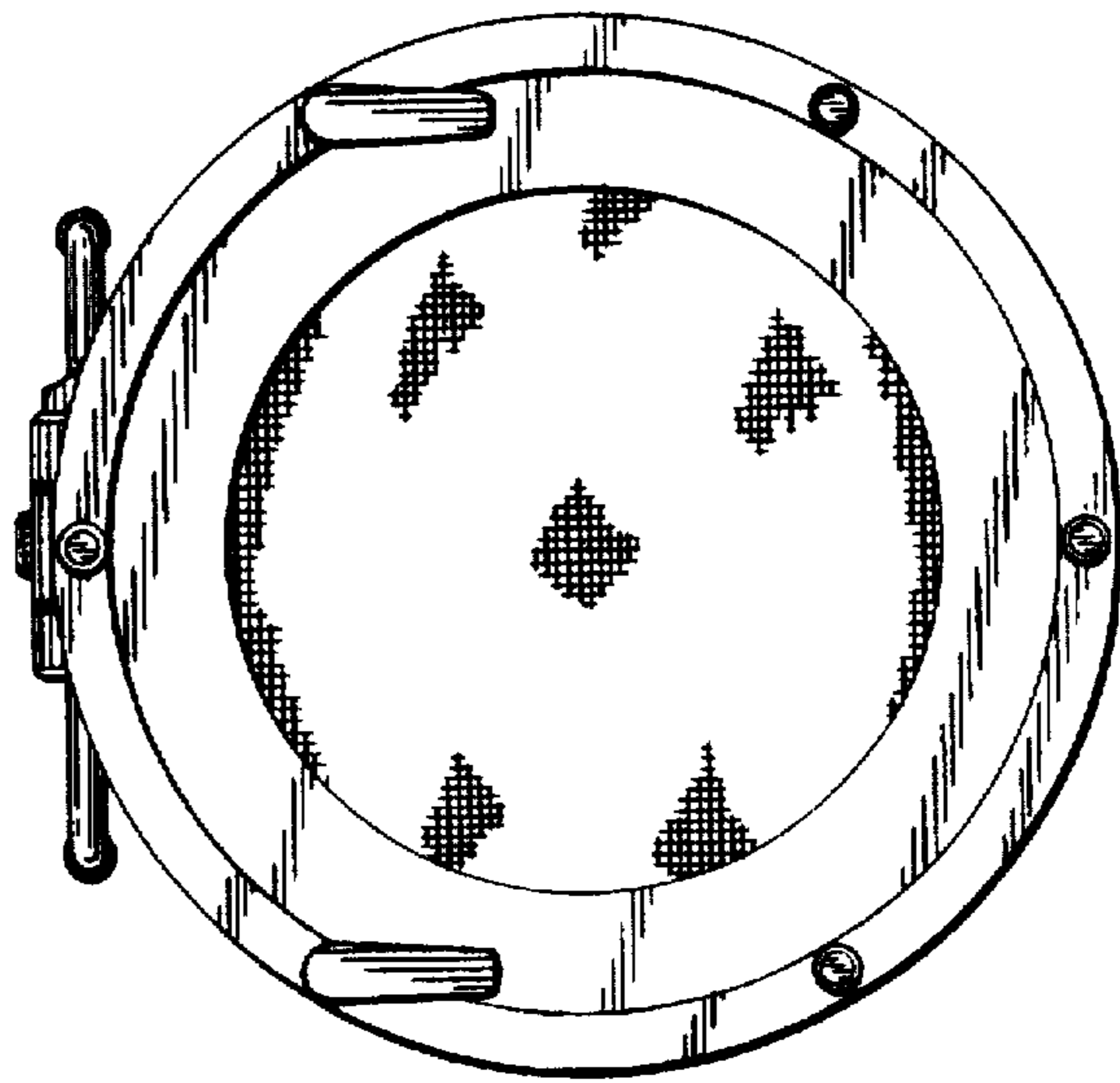


Fig. 2.

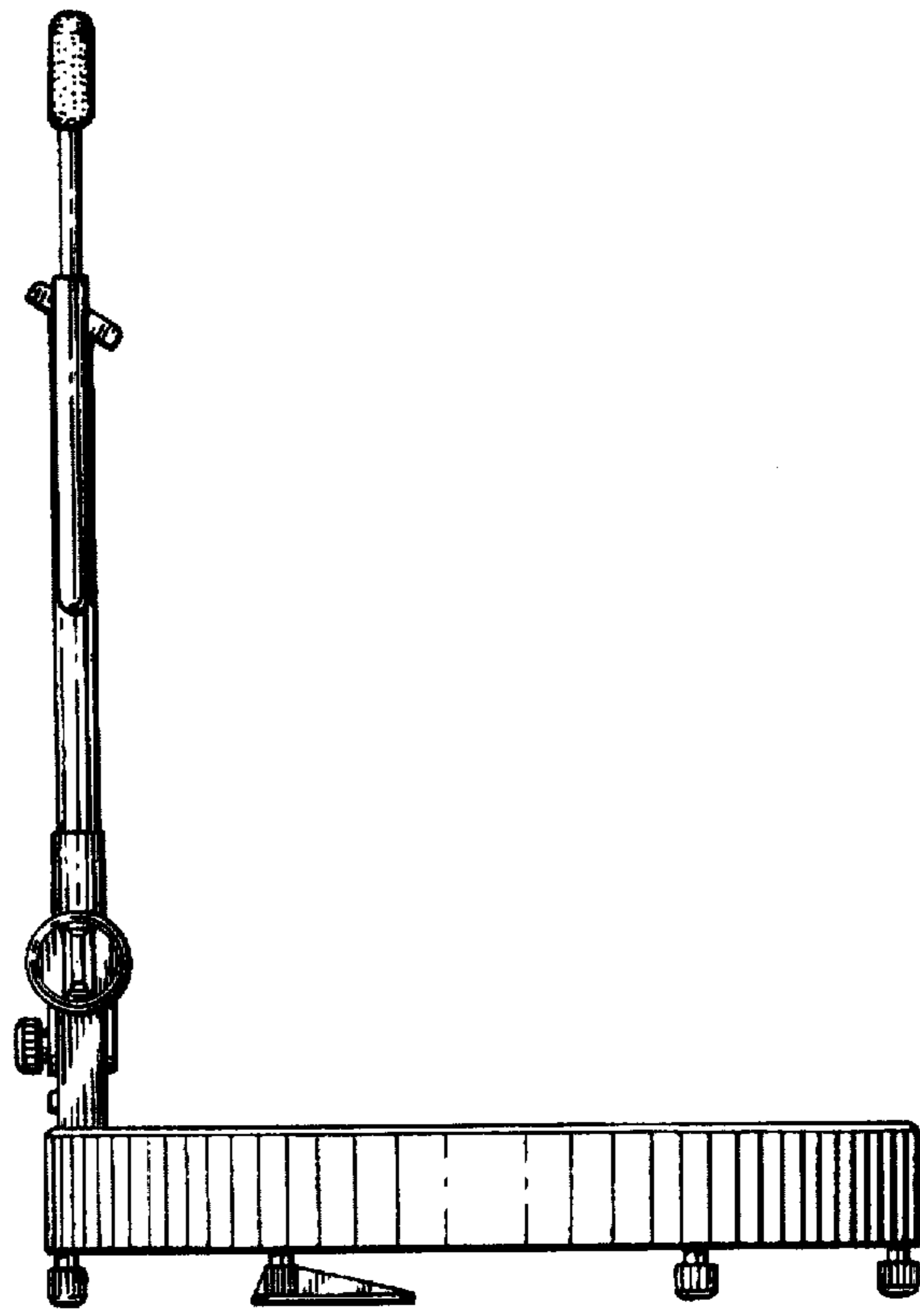


Fig. 3.

Fig. 4

