



US00D384109S

# United States Patent [19]

[11] Patent Number: **Des. 384,109**

Sirotic

[45] Date of Patent: **\*\*Sep. 23, 1997**

[54] **MULTIPLE COUNTER GAME**  
[76] Inventor: **Aldo Sirotic**, 20 Statler Ave.,  
Etobicoke, Ontario, Canada, M9B 1G5

4,212,412 7/1980 Ikeda ..... 273/384 X  
4,509,760 4/1985 Goldfarb et al. .... 273/384 X  
5,089,803 2/1992 Bohn ..... 116/173 X  
5,505,665 4/1996 Bumstead ..... 116/222 X

[\*\*] Term: **14 Years**

*Primary Examiner—Prabhakar G. Deshmuki*  
*Attorney, Agent, or Firm—Barrigar & Moss*

[21] Appl. No.: **54,049**

[57] **CLAIM**

[22] Filed: **May 6, 1996**

The ornamental design for a multiple counter game, as shown and described.

[51] **LOC (6) Cl.** ..... **21-01**

[52] **U.S. Cl.** ..... **D21/1**

[58] **Field of Search** ..... D21/1, 5, 11, 27;  
273/384, 378, 351, 459, 148 R, 281, 283,  
287, 366; 116/222-225, 173, 174, 175

**DESCRIPTION**

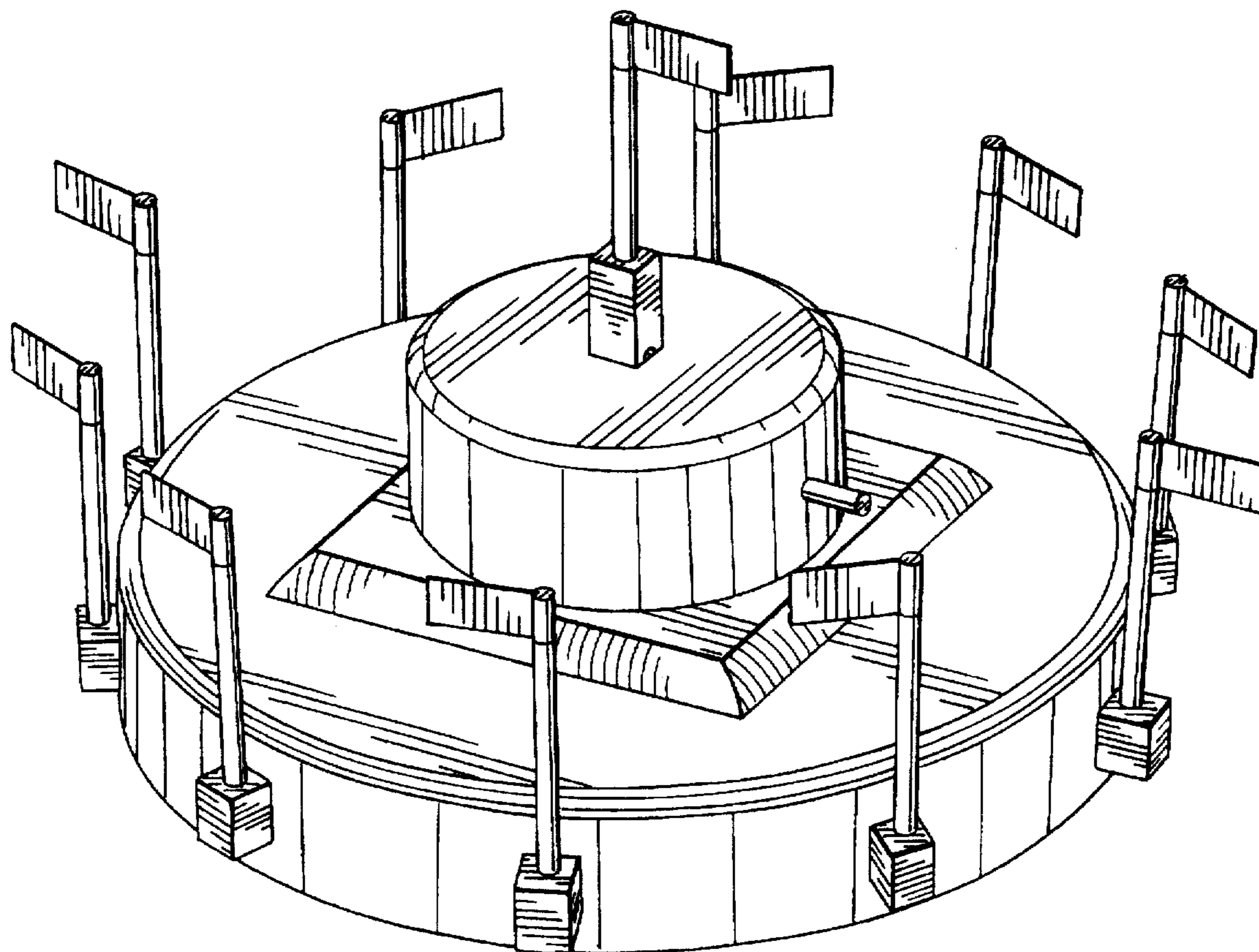
FIG. 1 is a perspective view taken from above and from one side showing my new design;  
FIG. 2 is a front view thereof, the side views and rear view being the mirror image thereof;  
FIG. 3 is a top view thereof; and,  
FIG. 4 is a bottom view thereof.

[56] **References Cited**

**U.S. PATENT DOCUMENTS**

284,965 9/1883 Ireand ..... 273/384  
3,398,956 8/1968 Lukes ..... 273/384 X  
3,995,580 12/1976 Serrone ..... 116/173

**1 Claim, 4 Drawing Sheets**



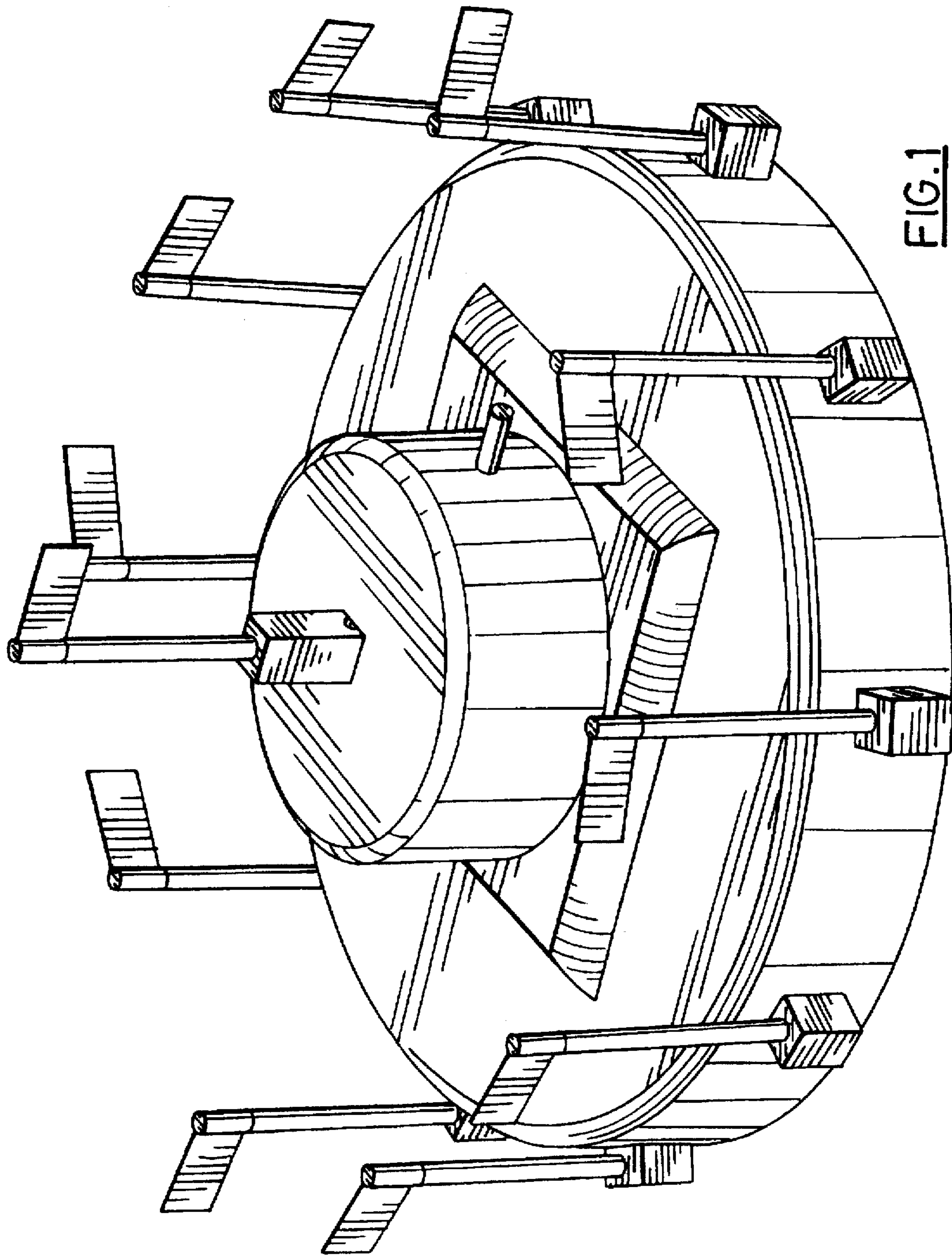


FIG. 1

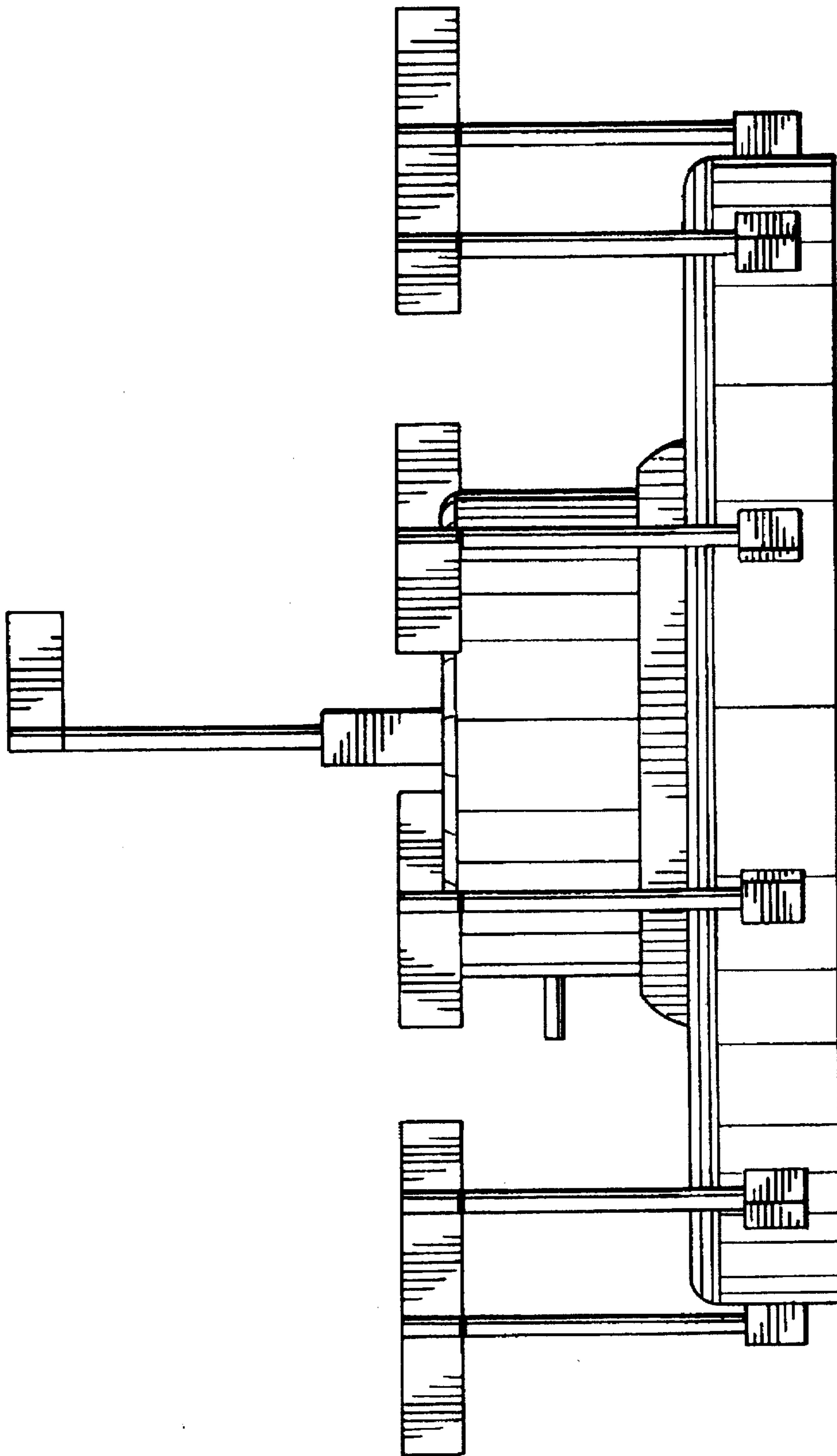


FIG. 2

FIG. 3

