

US00D384108S

United States Patent [19]

Rinicella et al.

[11] Patent Number: **Des. 384,108**

[45] Date of Patent: ****Sep. 23, 1997**

[54] **FLAT DISPLAY PANEL**

[75] Inventors: **Dan A. Rinicella**, Chagrin Falls;
Thomas H. Defelice, Canton, both of Ohio

[73] Assignee: **Darko Company, Inc.**, Twinsburg, Ohio

4,991,334 2/1991 Amundsen 40/568
 5,052,137 10/1991 Edwards 40/611
 5,121,578 6/1992 Holz 52/506
 5,207,011 5/1993 Coulhard 40/568 X
 5,214,871 6/1993 DiCataldo, Sr. 40/649
 5,339,547 8/1994 Fogel 40/124.4
 5,423,155 6/1995 Bauer 52/506.01

[**] Term: **14 Years**

[21] Appl. No.: **46,583**

[22] Filed: **Oct. 6, 1995**

[51] LOC (6) Cl. **20-02**

[52] U.S. Cl. **D20/42; D20/10**

[58] Field of Search D20/10, 13, 22,
D20/27, 19, 40, 43, 17, 29, 41, 42, 44,
38; D8/354; 40/709, 649, 642, 650, 657,
489, 490, 491, 611, 618, 584, 605, 6, 646,
299, 573, 568, 124.4; 52/506.01, 510

[56] **References Cited**

U.S. PATENT DOCUMENTS

D. 279,585 7/1985 Seggerson et al. D20/10
 D. 365,121 12/1995 Krawitz D20/42 X
 2,104,366 1/1938 Gossett 40/611
 3,878,633 4/1975 McWilliams 40/657
 3,943,646 3/1976 Branham 40/605
 4,884,352 12/1989 Lipscomb 40/611

FOREIGN PATENT DOCUMENTS

5-52015 8/1991 Japan E04F 13/08

Primary Examiner—Susan J. Lucas

Assistant Examiner—Jennifer A. Regester

Attorney, Agent, or Firm—Renner, Kenner, Greive Bobak,
Taylor & Weber

[57] **CLAIM**

The ornamental design for a flat display panel, as shown and described.

DESCRIPTION

FIG. 1 is a perspective view of a flat display panel showing our new design;

FIG. 2 is a top plan view thereof, the bottom plan view being a mirror image;

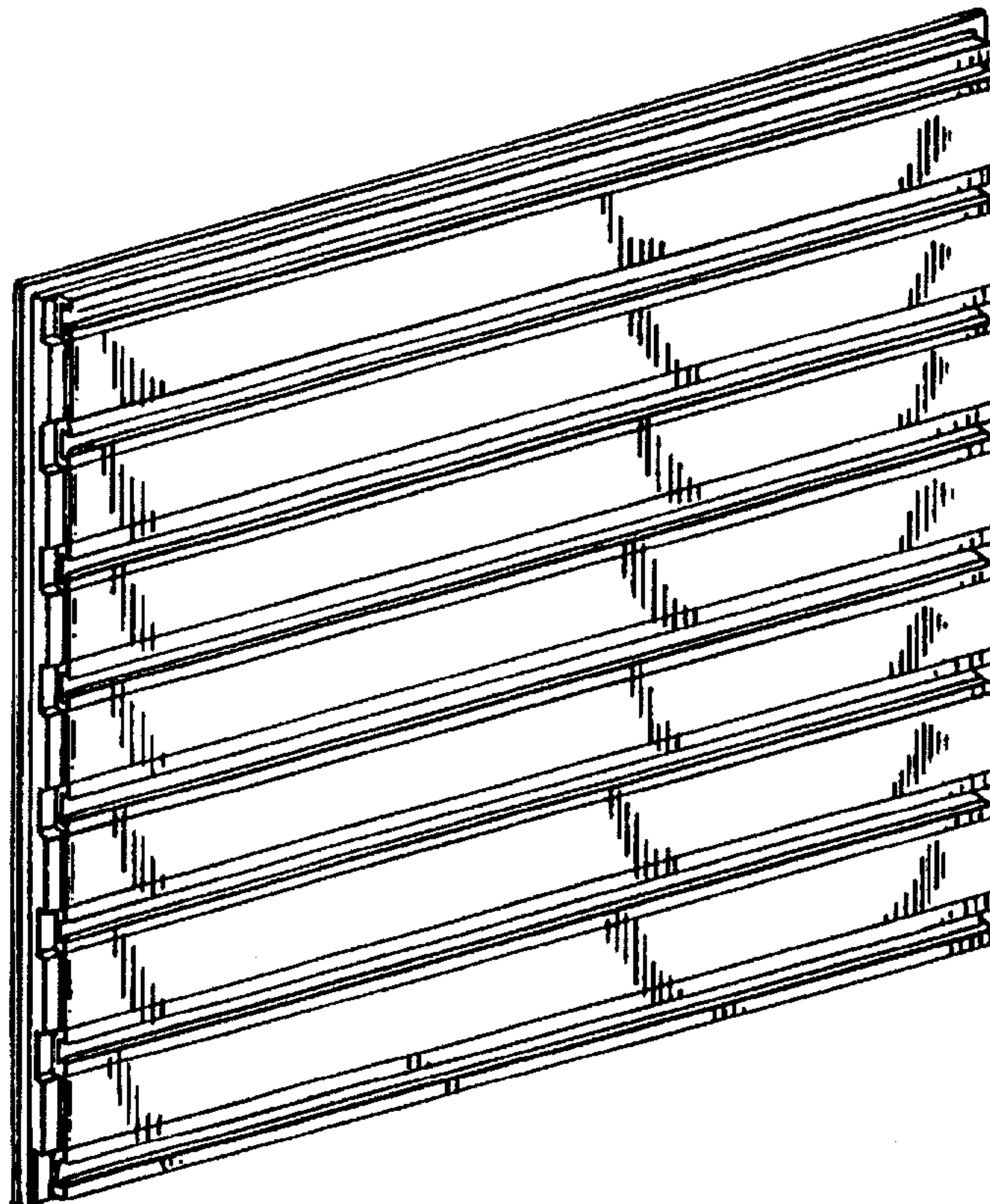
FIG. 3 is a front elevational view thereof;

FIG. 4 is a rear elevational view thereof;

FIG. 5 is a left side elevational view thereof; and,

FIG. 6 is a right side elevational view thereof.

1 Claim, 3 Drawing Sheets



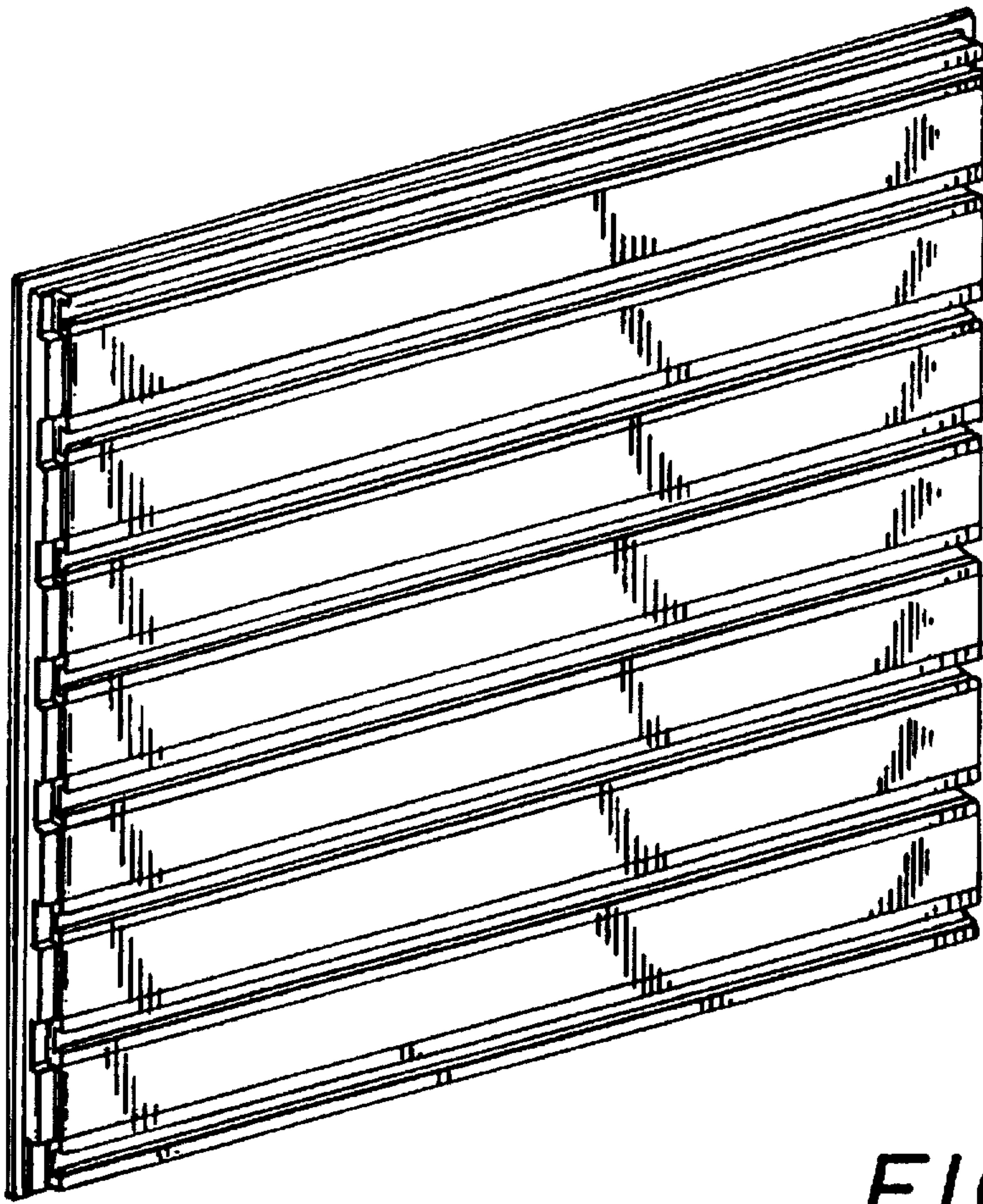


FIG. 1

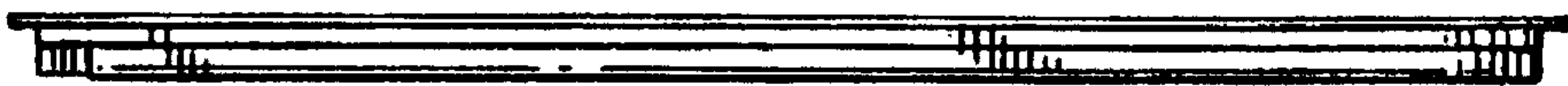


FIG. 2

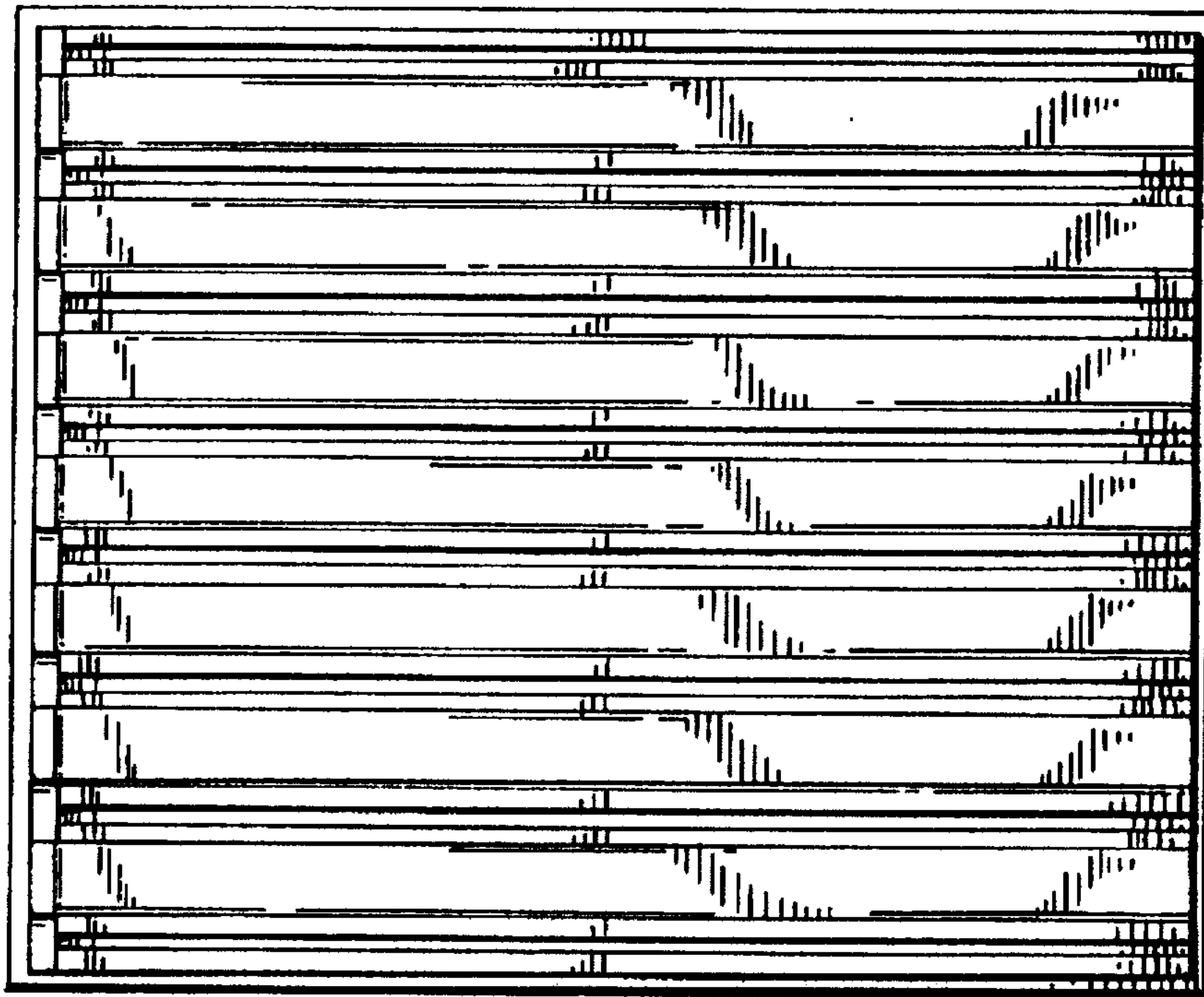


FIG. 3

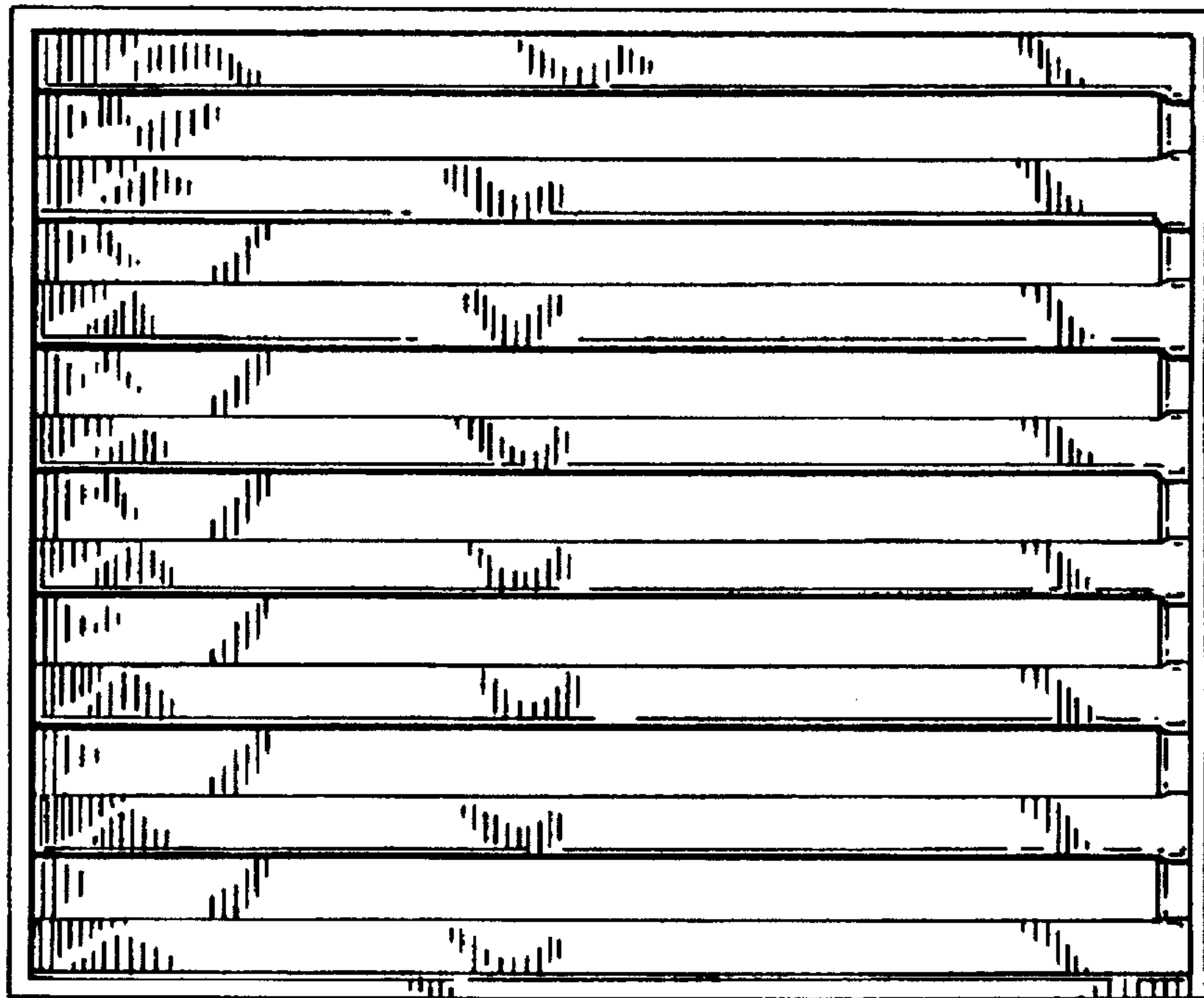


FIG. 4



FIG. 5



FIG. 6