

US00D384106S

United States Patent [19]
Shinya

[11] **Patent Number:** **Des. 384,106**
[45] **Date of Patent:** ****Sep. 23, 1997**

[54] **PAPER CLIP**

[76] **Inventor:** **Satoshi Shinya**, Sunroad No. 1-201
Yamaguchi 693-7, Tokorozawa Shi
Saitama Ken 359, Japan

[**] **Term:** **14 Years**

[21] **Appl. No.:** **58,904**

[22] **Filed:** **Aug. 27, 1996**

[51] **LOC (6) Cl.** **19-02**

[52] **U.S. Cl.** **D19/65; D8/395; D19/91;**
D19/86

[58] **Field of Search** **D8/395, 370, 349,**
D8/394, 396; D19/65, 34, 86, 90, 91, 99,
100; 24/67 R, 67.1-67.11, 545, 546, 547,
552, DIG. 8, DIG. 9, DIG. 10

[56] **References Cited**

U.S. PATENT DOCUMENTS

211,050 12/1878 Reynolds 24/67.9
D. 301,042 5/1989 Capamaggio D19/34

D. 321,209 10/1991 Hiromori D19/65
1,439,138 12/1922 White 24/67.9
1,637,485 8/1927 Hiering 24/67.9
4,761,862 8/1988 Hiromori 24/67.5
4,903,376 2/1990 Rousseau 24/67.3
5,309,181 5/1994 Ota et al. 24/67 R

Primary Examiner—Martie Thompson

[57] **CLAIM**

The ornamental design for a paper clip, as shown.

DESCRIPTION

FIG. 1 is a perspective view of a paper clip showing my new design;
FIG. 2 is a top plan view thereof;
FIG. 3 is a left side elevational view thereof;
FIG. 4 is a front elevational view thereof;
FIG. 5 is a right side elevational view thereof;
FIG. 6 is a bottom plan view thereof;
FIG. 7 is a rear elevational view thereof; and,
FIG. 8 is a transverse section as taken on the line 8—8 of FIG. 4.

1 Claim, 1 Drawing Sheet

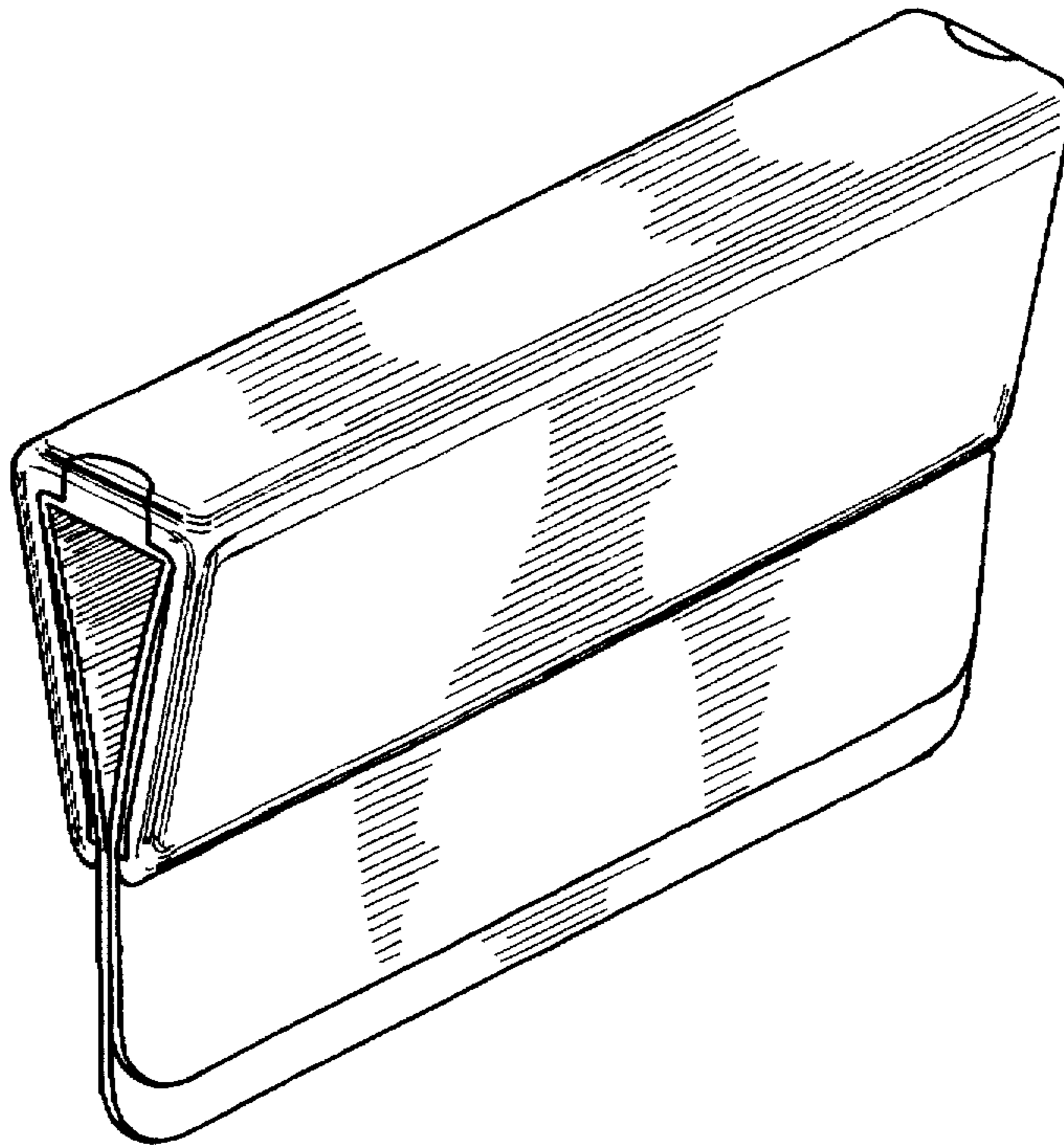


FIG.1.

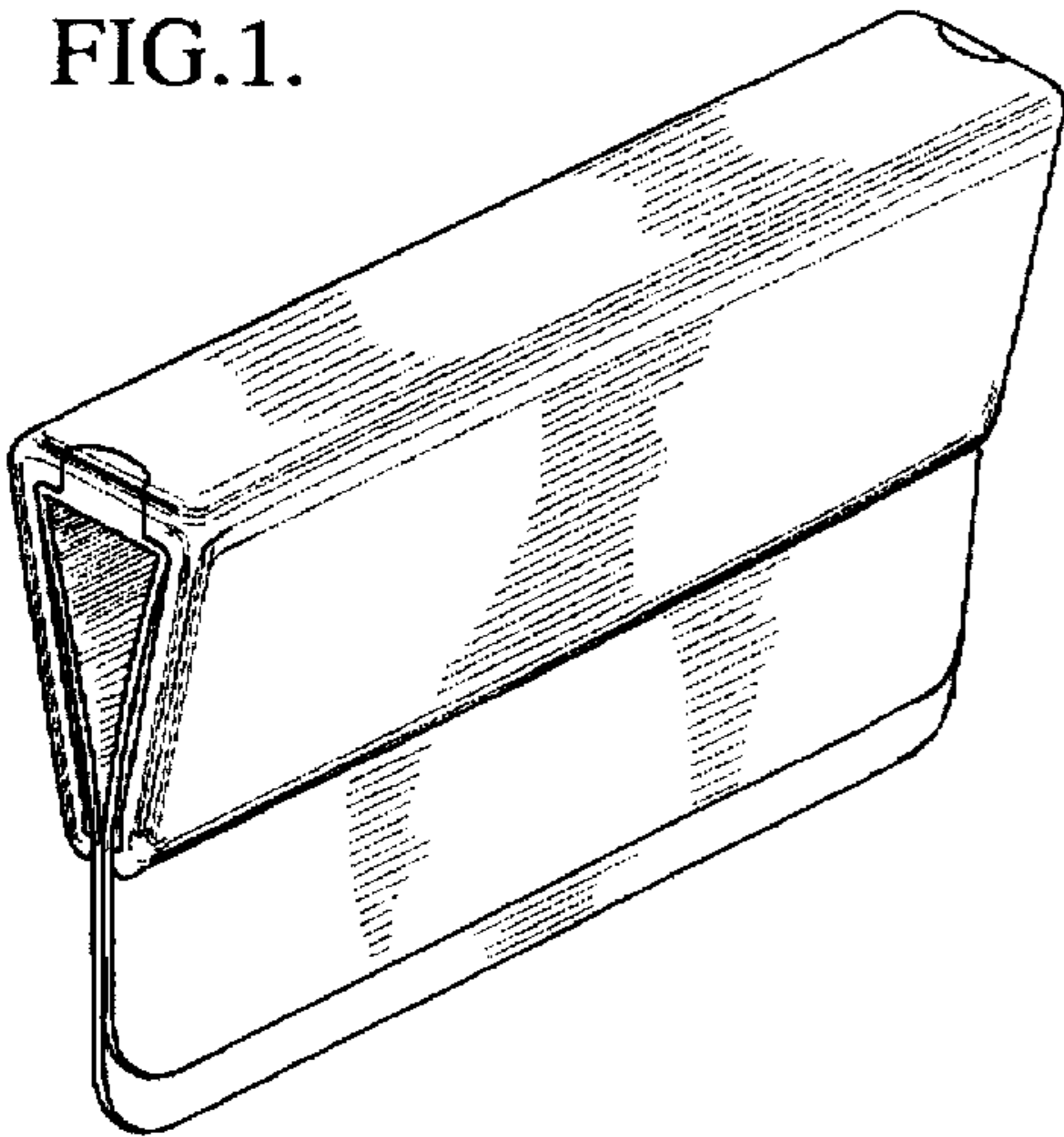


FIG.7.

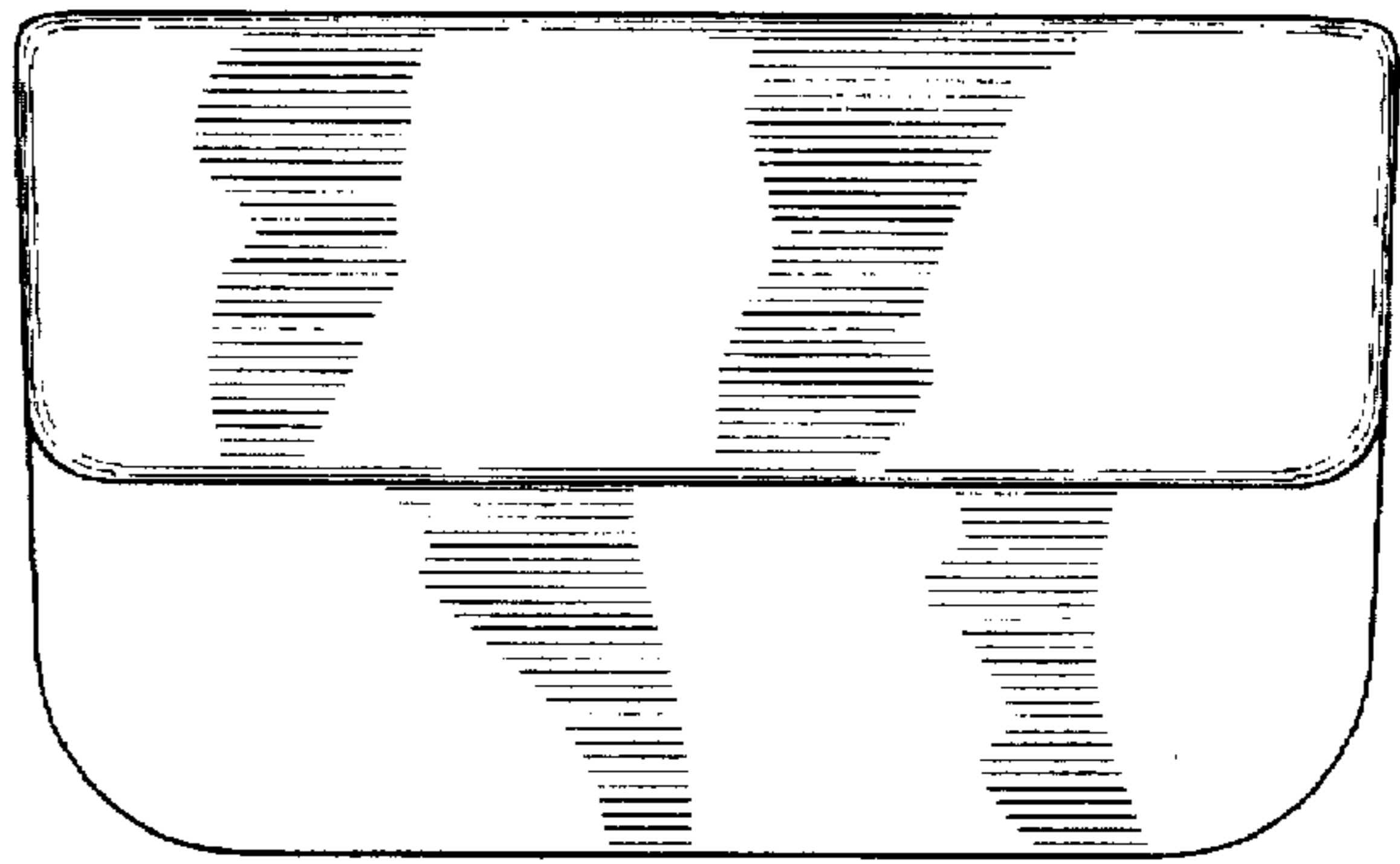


FIG.2.

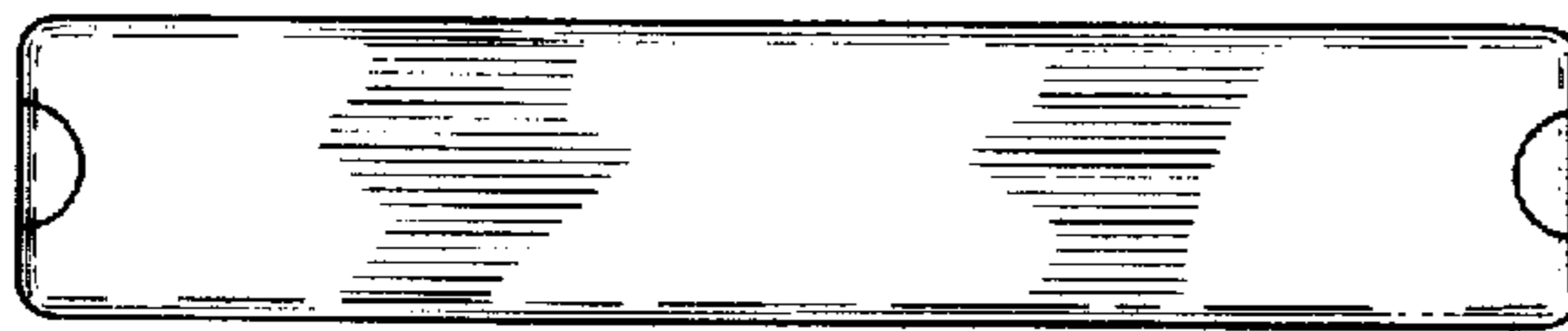


FIG.3.

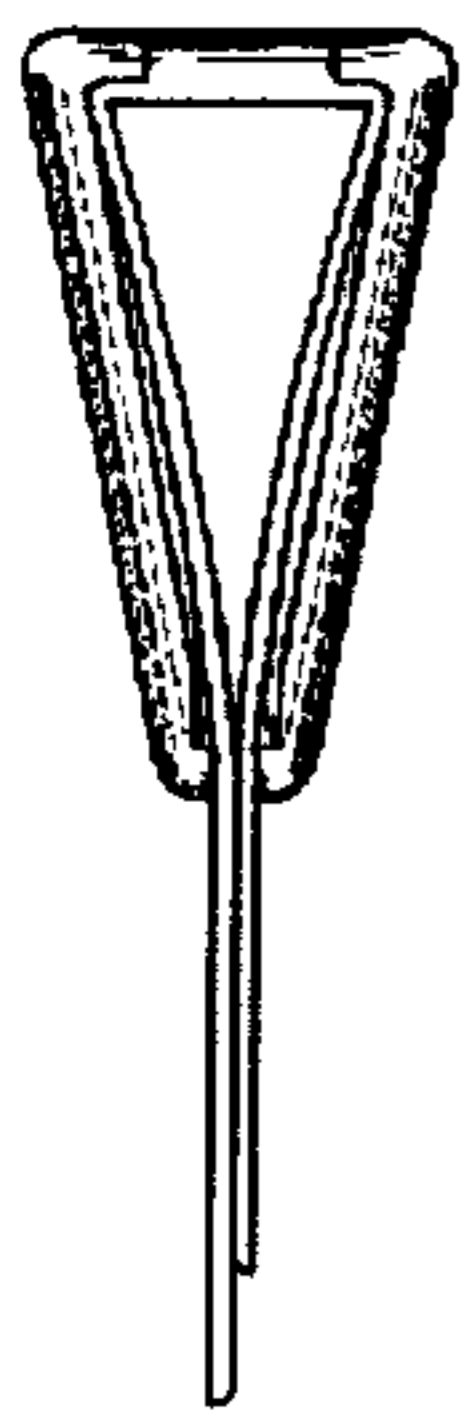


FIG.4.

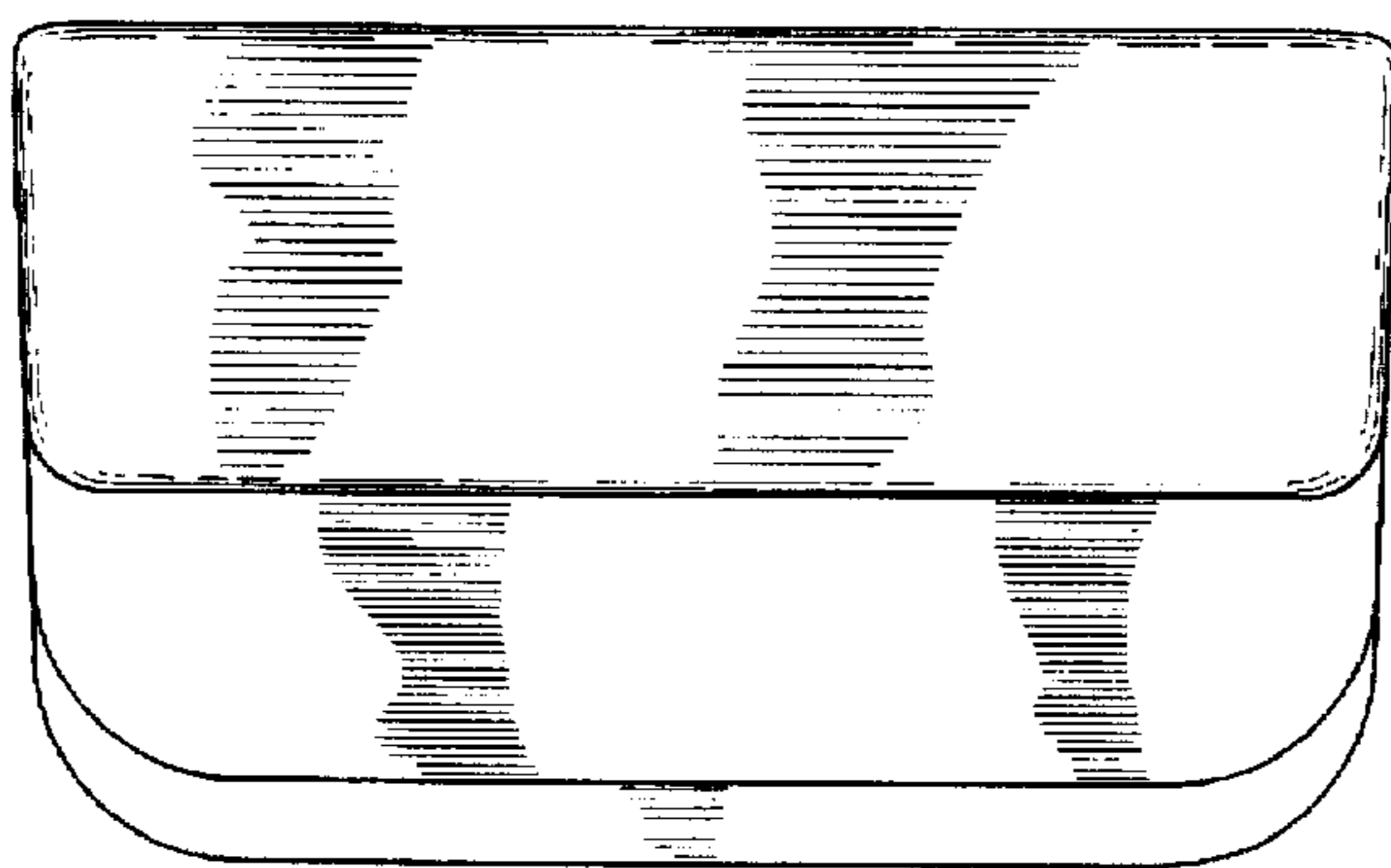


FIG.5.

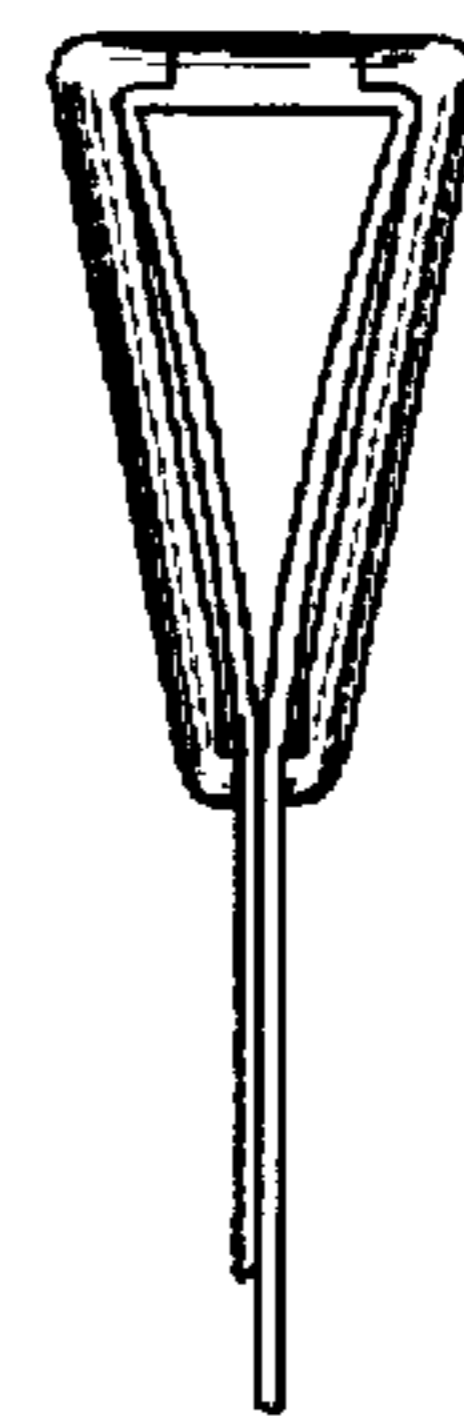
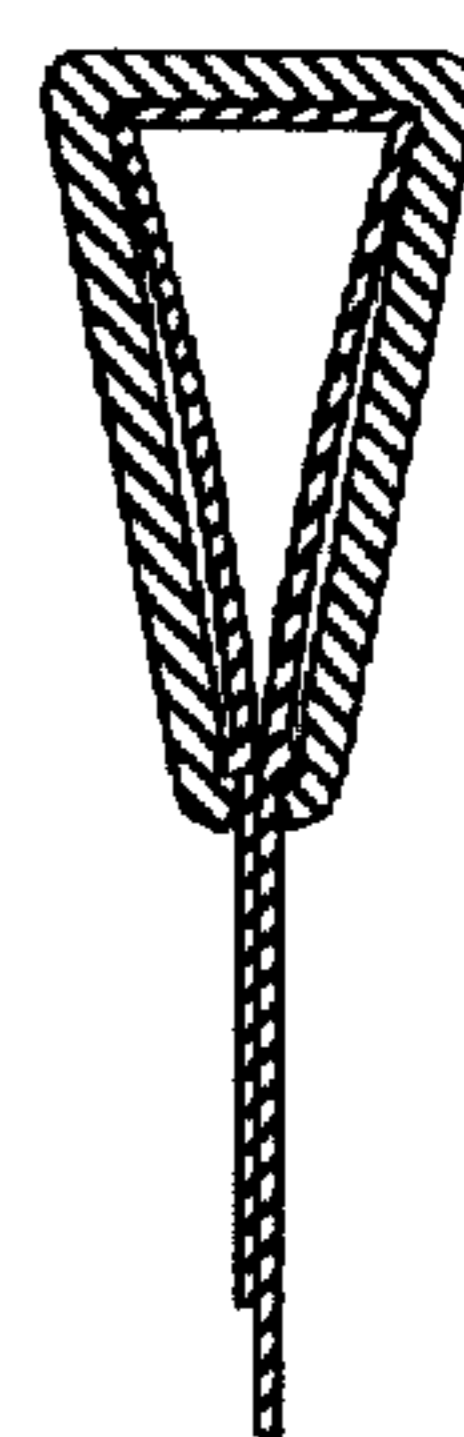


FIG.8.



8

8

FIG.6.

