



US00D384096S

United States Patent [19] Harden

[11] Patent Number: Des. 384,096

[45] Date of Patent: **Sep. 23, 1997

[54] STAMPER WITH CAP

[75] Inventor: Dan Harden, Palo Alto, Calif.

[73] Assignee: Dentsu Inc., Tokyo, Japan

[**] Term: 14 Years

[21] Appl. No.: 52,890

[22] Filed: Apr. 10, 1996

[51] LOC (6) Cl. 19-02

[52] U.S. Cl. D18/15

[58] Field of Search D18/15, 16, 17,
D18/18; 118/264, 268; 101/333, 327, 405,
406

[56] **References Cited**

U.S. PATENT DOCUMENTS

D. 236,754	9/1975	Funahashi	D18/15
D. 280,733	9/1985	Fujikua	D18/15
D. 348,898	7/1994	Nagasawa	D18/15
3,342,911	9/1967	Funahashi	101/327
4,289,070	9/1981	MacGregor	101/327

Primary Examiner—Louis S. Zarfes
Assistant Examiner—Frank Martinez
Attorney, Agent, or Firm—Keck, Mahin & Cate

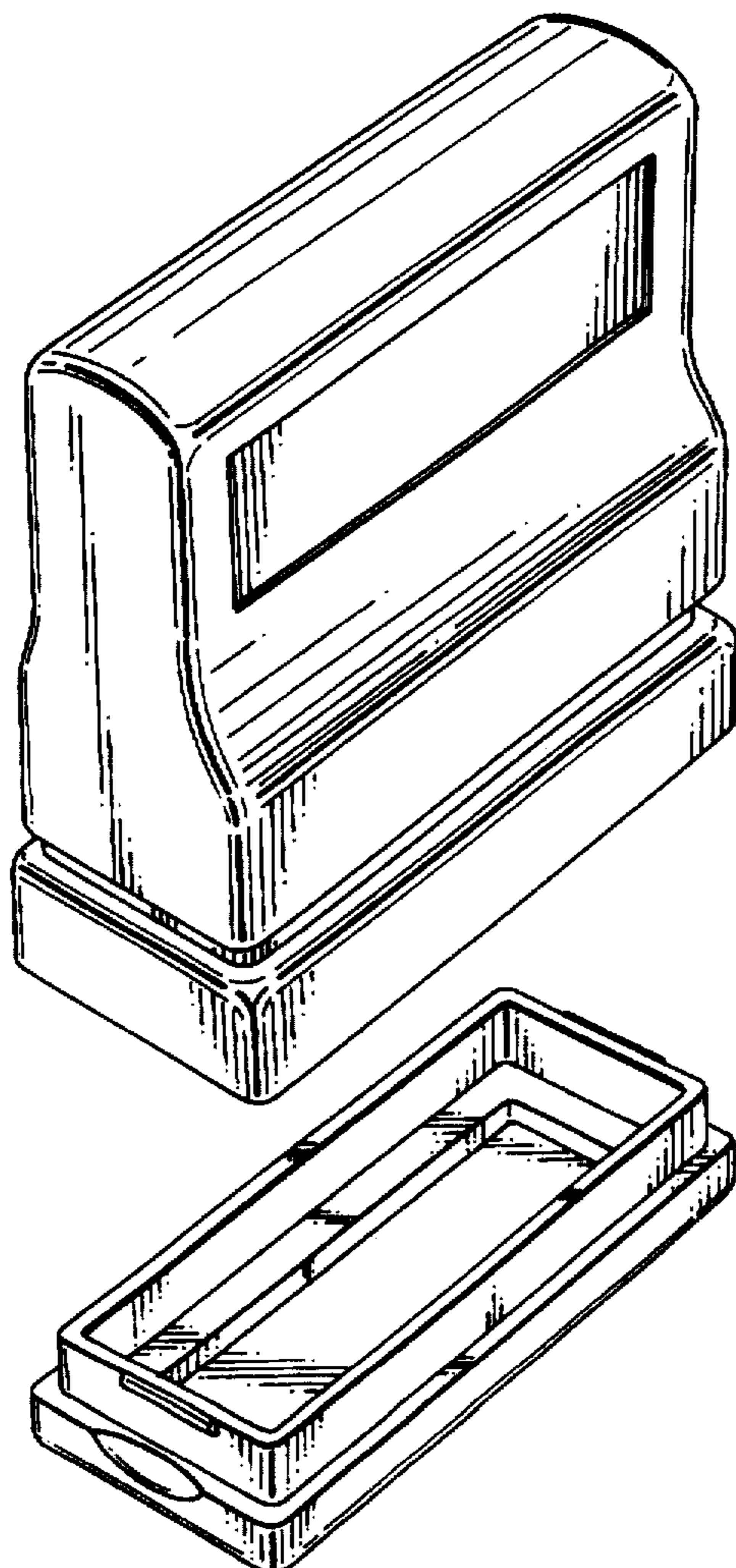
[57] **CLAIM**

The ornamental design for a stamper with cap, as shown and described.

DESCRIPTION

FIG. 1 is a top perspective view of a stamper with cap embodied in accordance with my design, with cap removed from a stamping surface of the stamper;
FIG. 2 is a bottom perspective view of the stamper;
FIG. 3 is a front view of the stamper with the cap;
FIG. 4 is a top plan view of the stamper with the cap;
FIG. 5 is a rear view of the stamper with the cap;
FIG. 6 is a bottom plan view of the stamper with the cap;
FIG. 7 is a right side view of the stamper with the cap;
FIG. 8 is a sectional view of the stamper taken along line 8—8 of FIG. 3;
FIG. 9 is a bottom plan view of the stamper without the cap; and,
FIG. 10 is a top plan view of the cap.

1 Claim, 6 Drawing Sheets



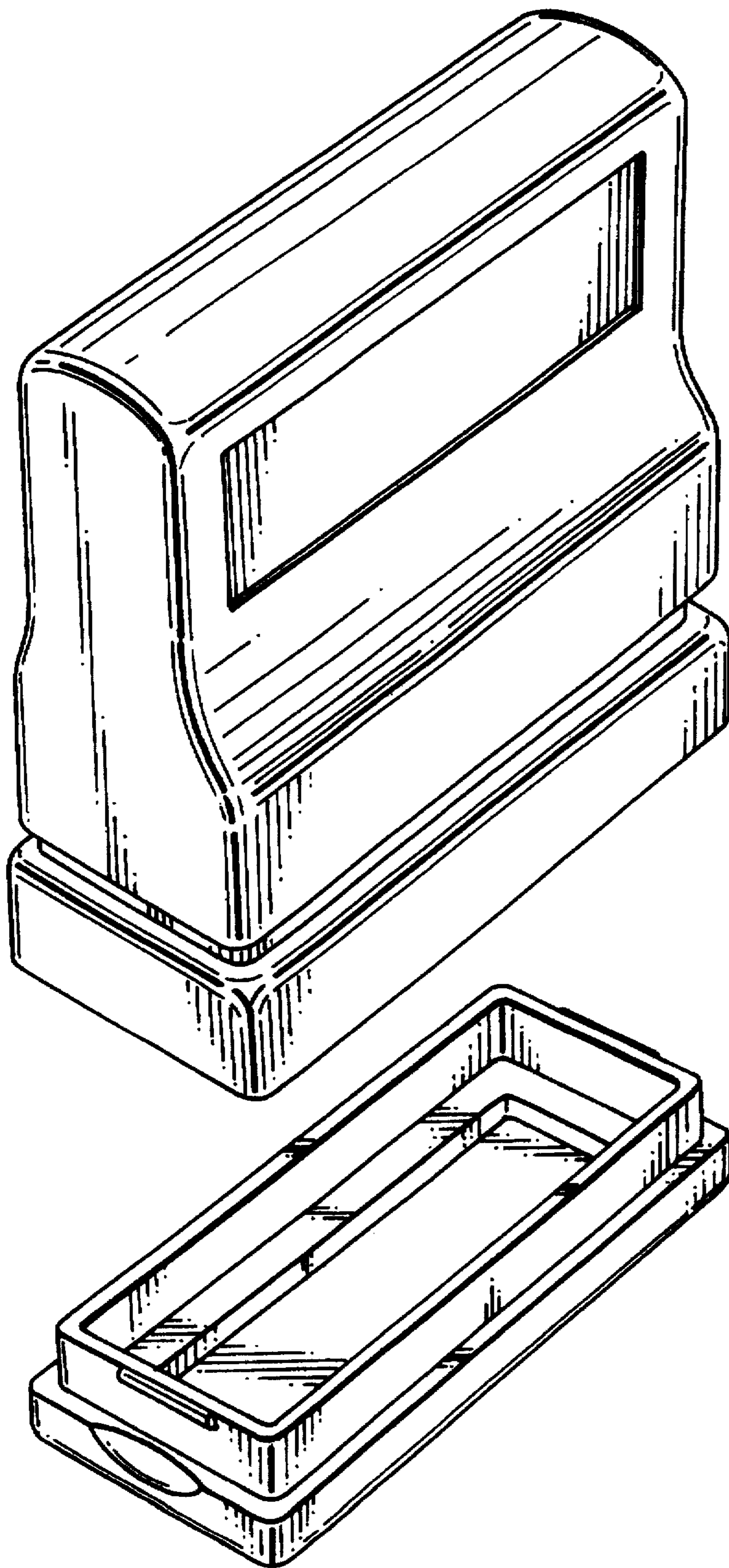


FIG. 1

FIG. 2

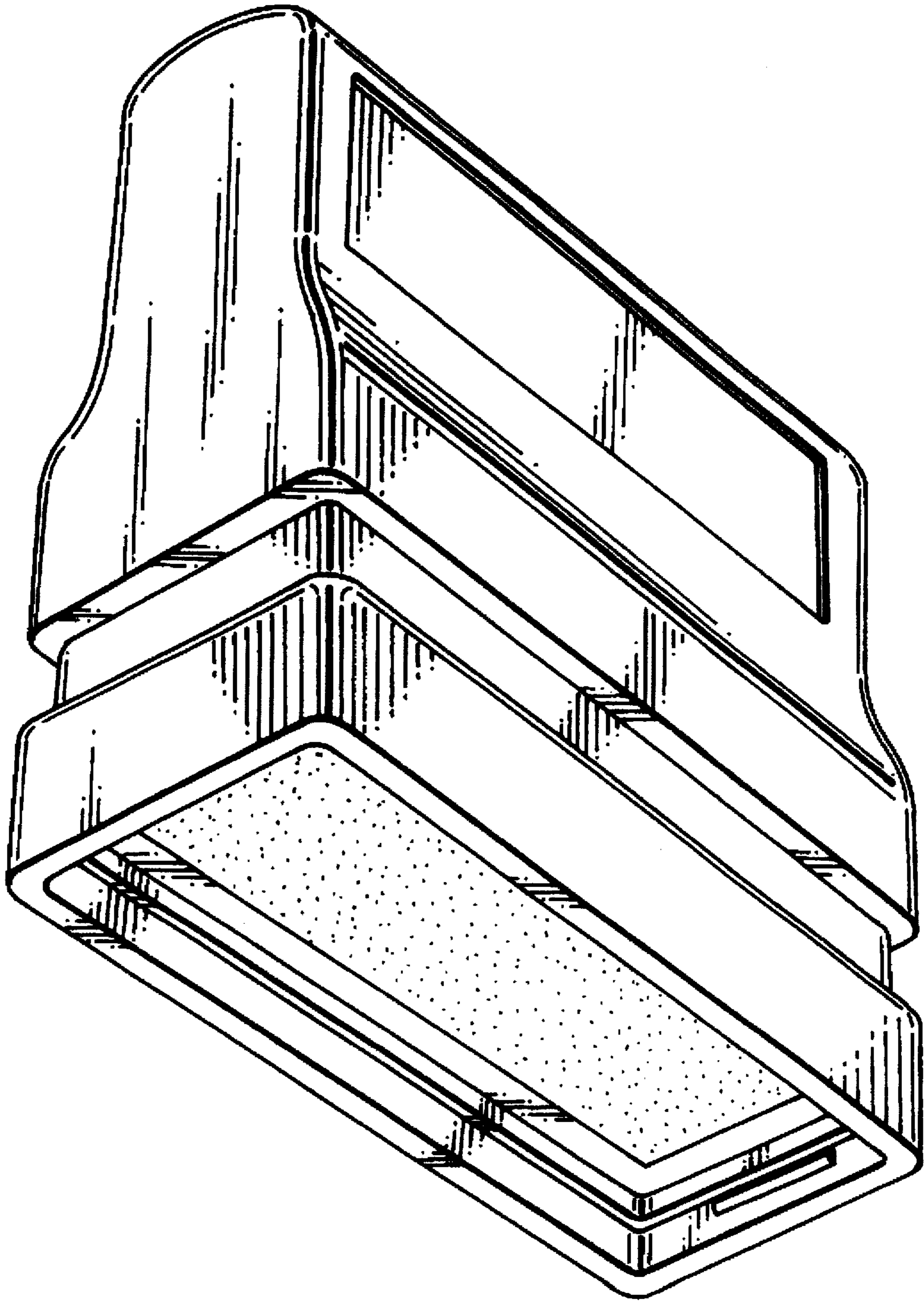
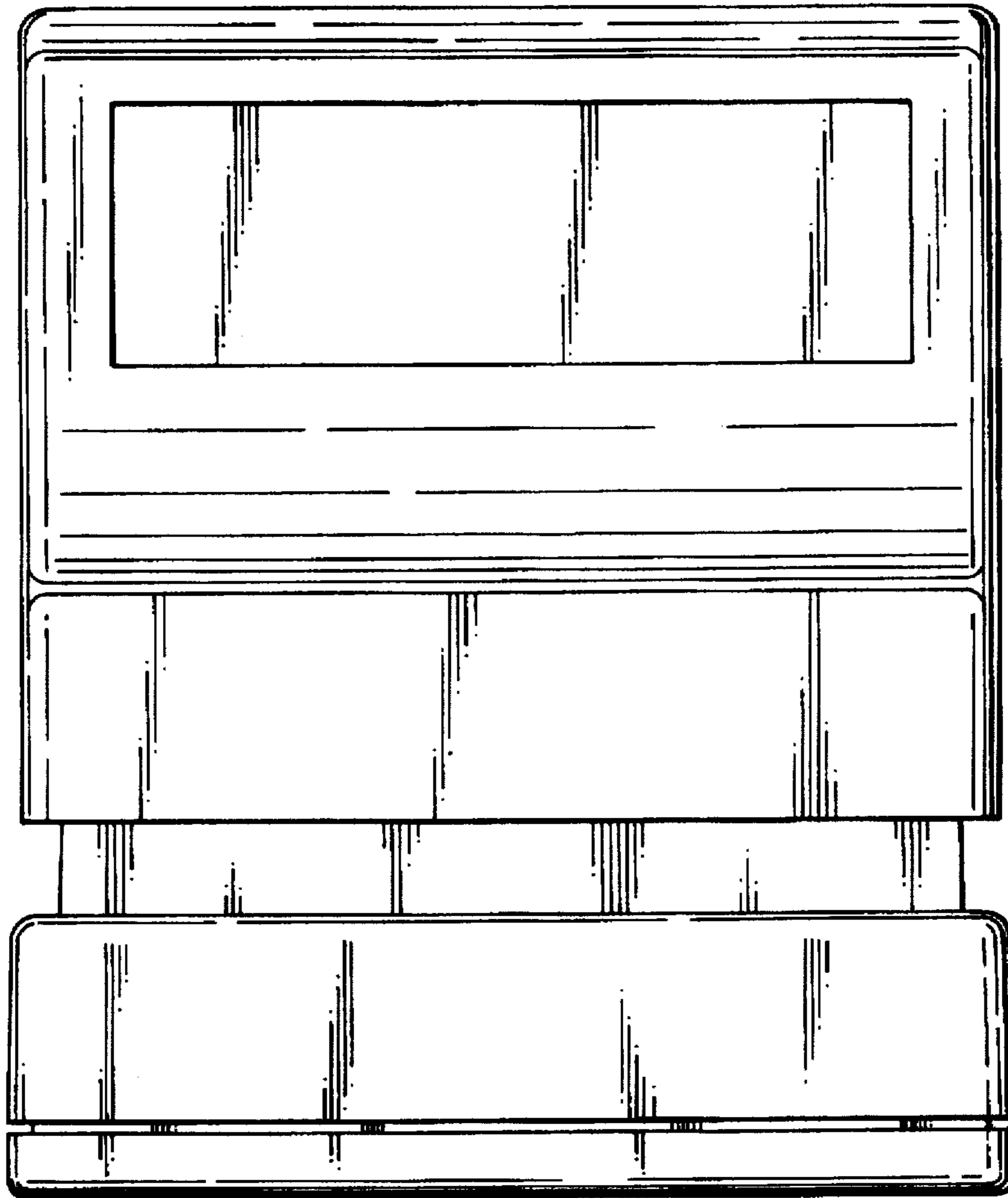


FIG. 3

8 ←



8 ←

FIG. 4

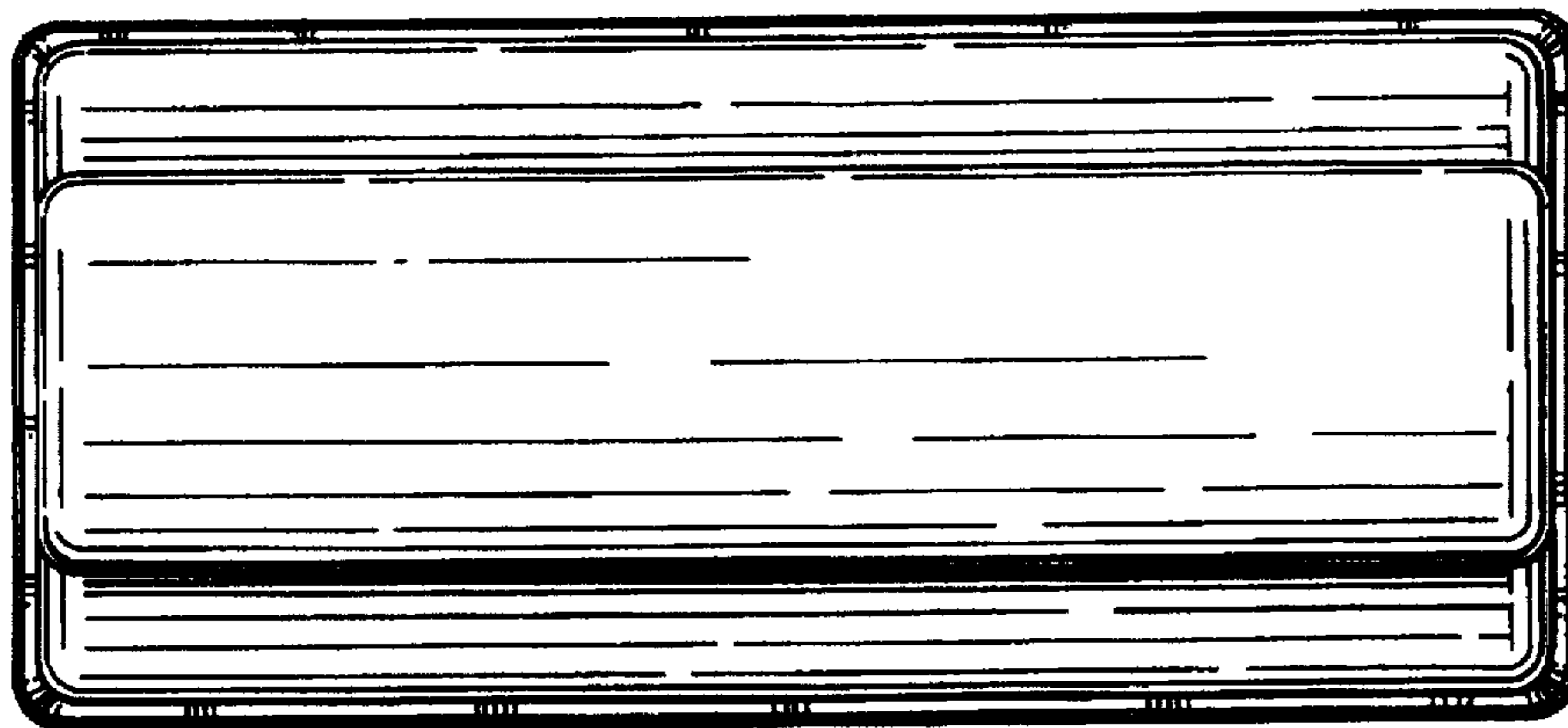


FIG. 5

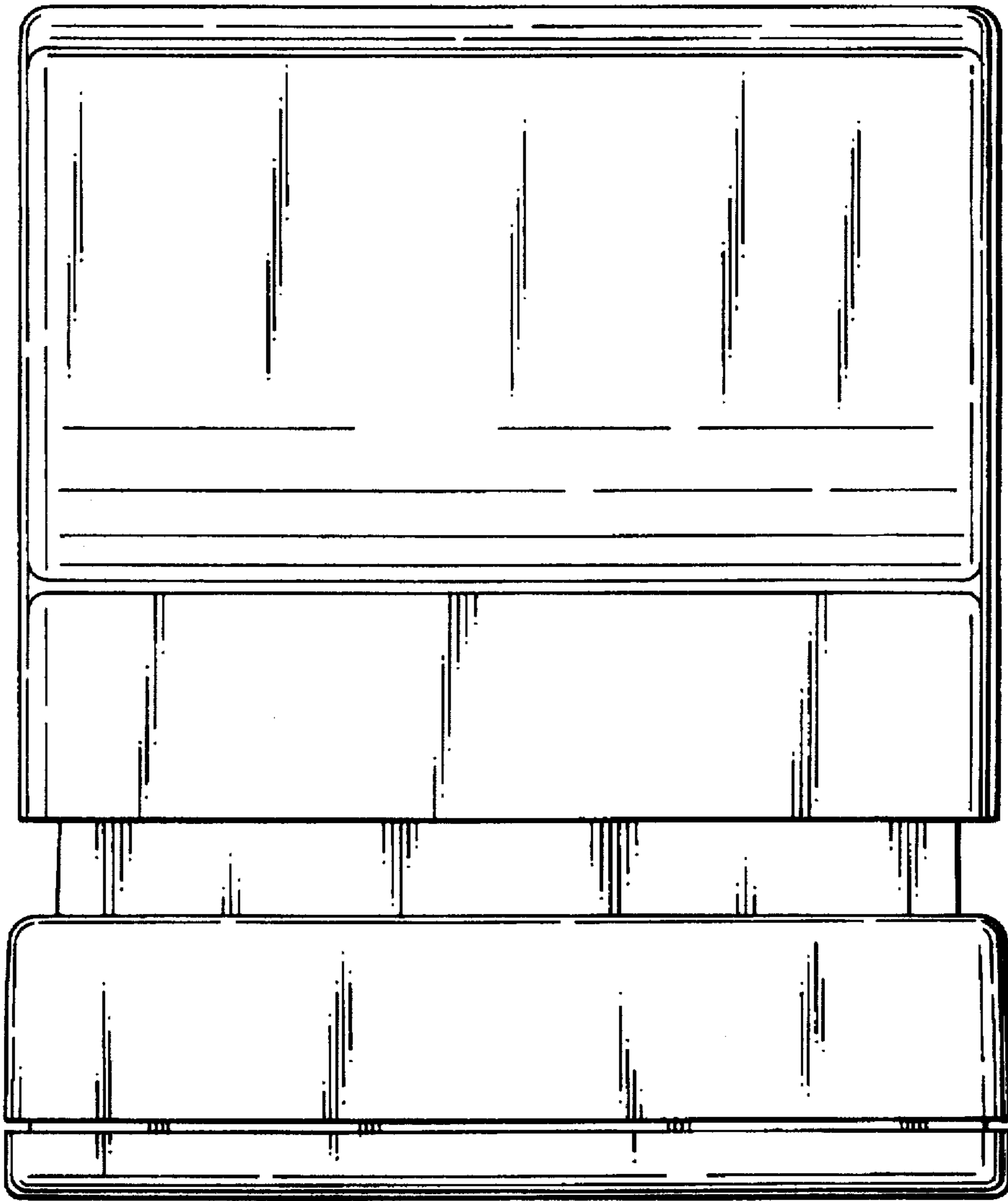


FIG. 6

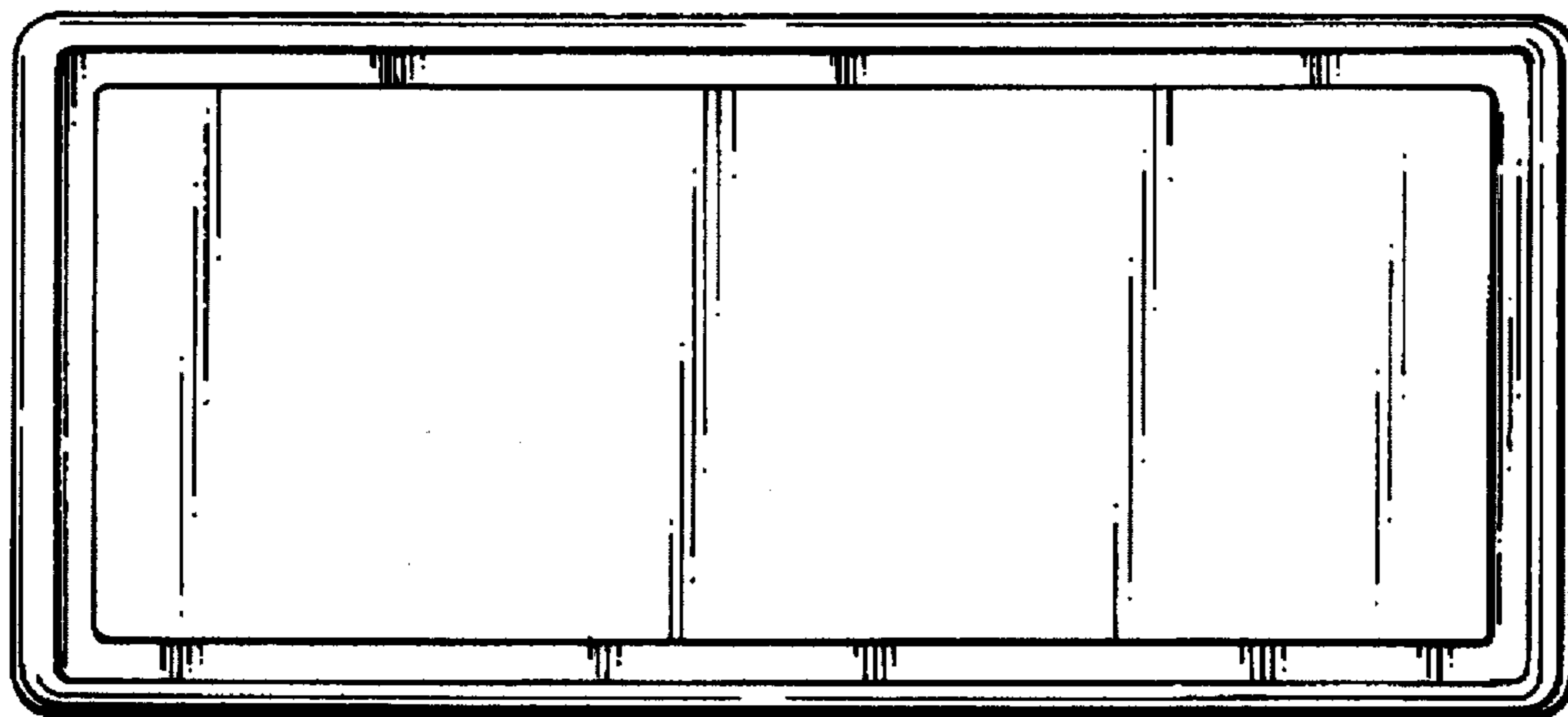


FIG. 7

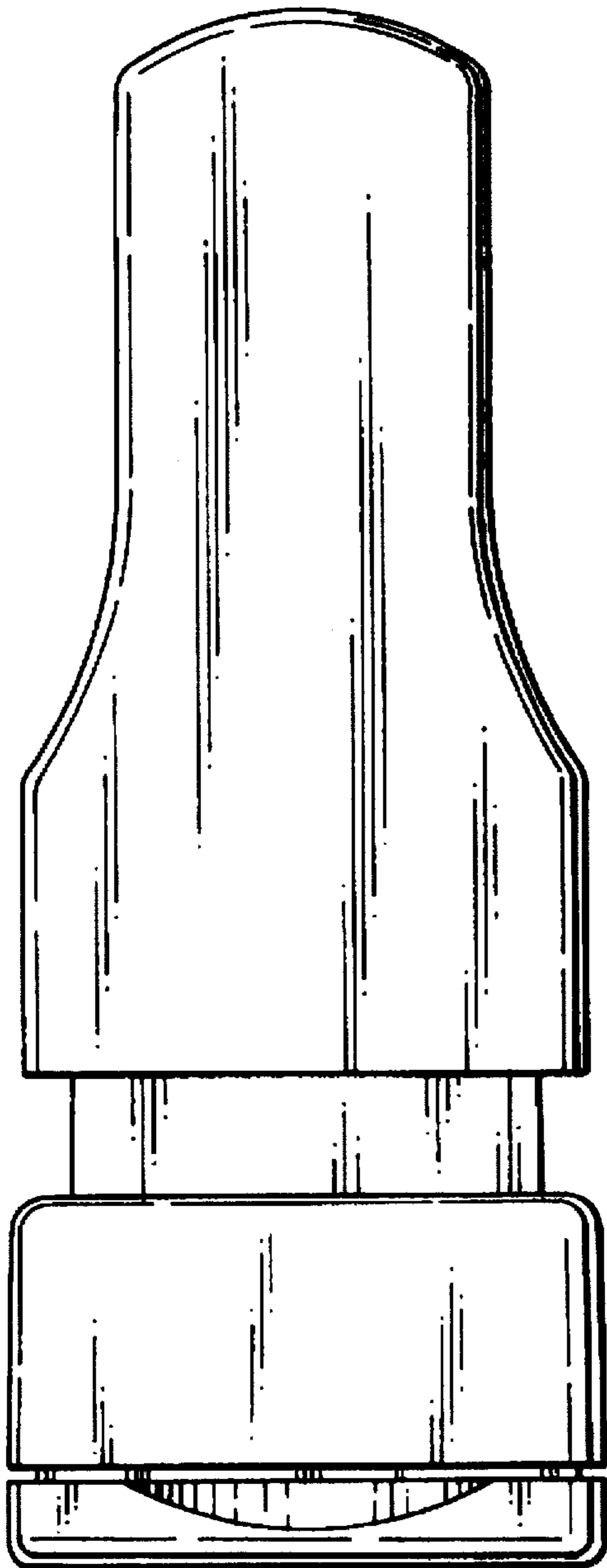


FIG. 8

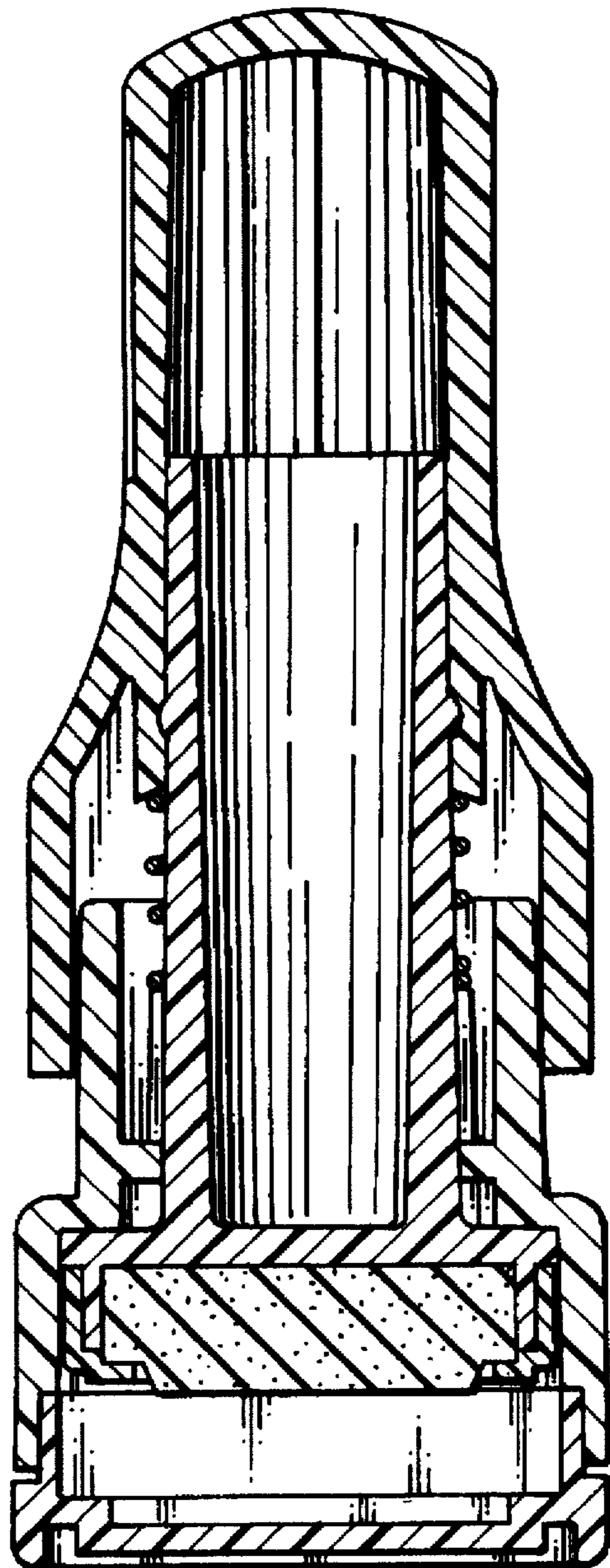


FIG. 9

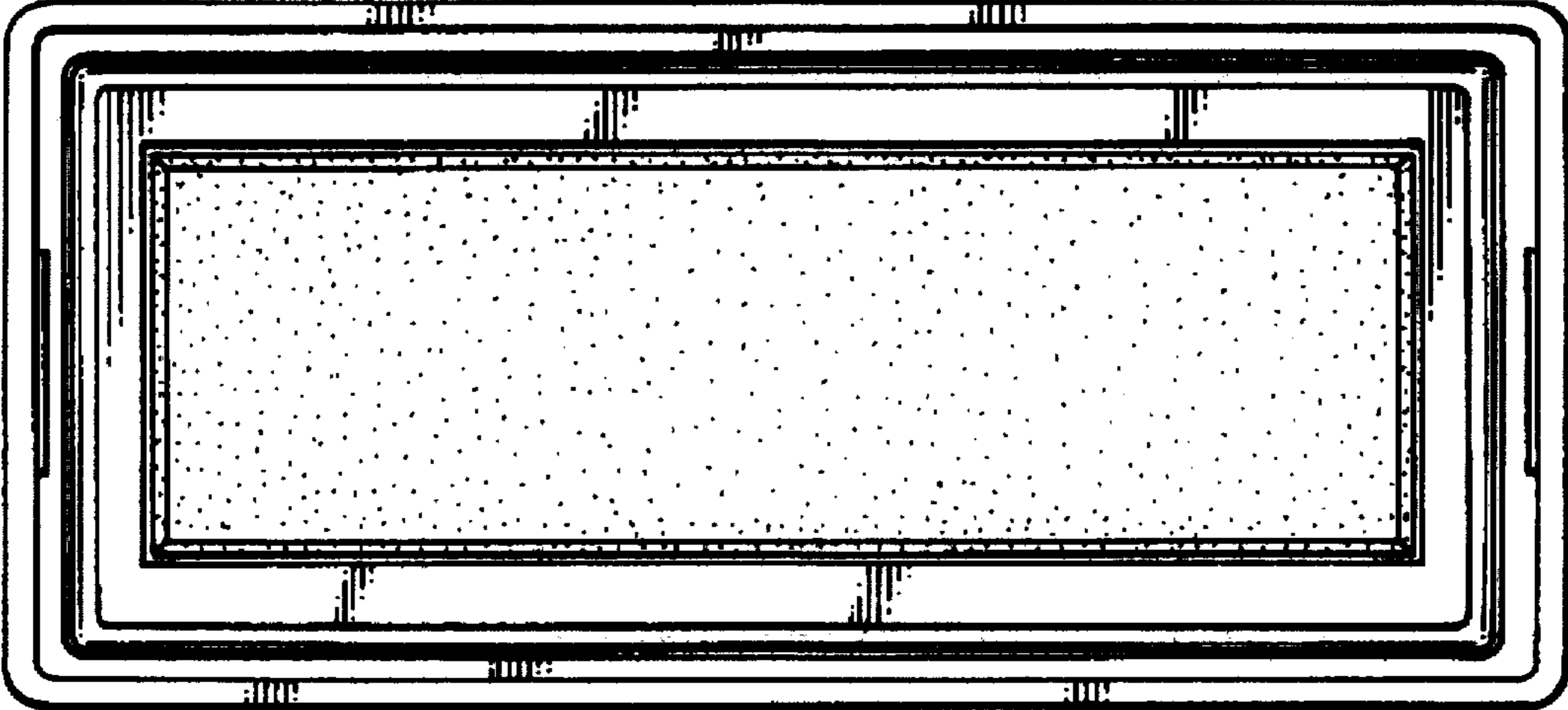


FIG. 10

