



US00D384095S

**United States Patent** [19]  
**Coveley**

[11] **Patent Number: Des. 384,095**  
[45] **Date of Patent: \*\*Sep. 23, 1997**

[54] **HAND-HELD TERMINAL**  
[75] **Inventor: Michael Coveley, Thornhill, Canada**  
[73] **Assignee: Omega Digital Data, Inc., Concord, Canada**  
[\*\*] **Term: 14 Years**  
[21] **Appl. No.: 45,291**  
[22] **Filed: Oct. 16, 1995**  
[30] **Foreign Application Priority Data**  
May 4, 1995 [CA] Canada ..... 1995-0959  
[51] **LOC (6) Cl. .... 18-01**  
[52] **U.S. Cl. .... D18/4; D14/100; D14/116; D18/7**  
[58] **Field of Search .... D18/4, 7, 14, 19; D14/100, 105, 116; 235/379-383, 454, 462, 472; 341/22, 23; 345/87, 156, 168, 169, 172, 173; 364/706-710**

D. 348,896 7/1994 Kumar et al. .... D18/4  
D. 350,119 8/1994 Kumar et al. .... D14/116 X  
5,123,064 6/1992 Hacker et al. .... D14/100 X

*Primary Examiner—Caron D. Veynar*  
*Attorney, Agent, or Firm—Victor E. Libert*

[57] **CLAIM**

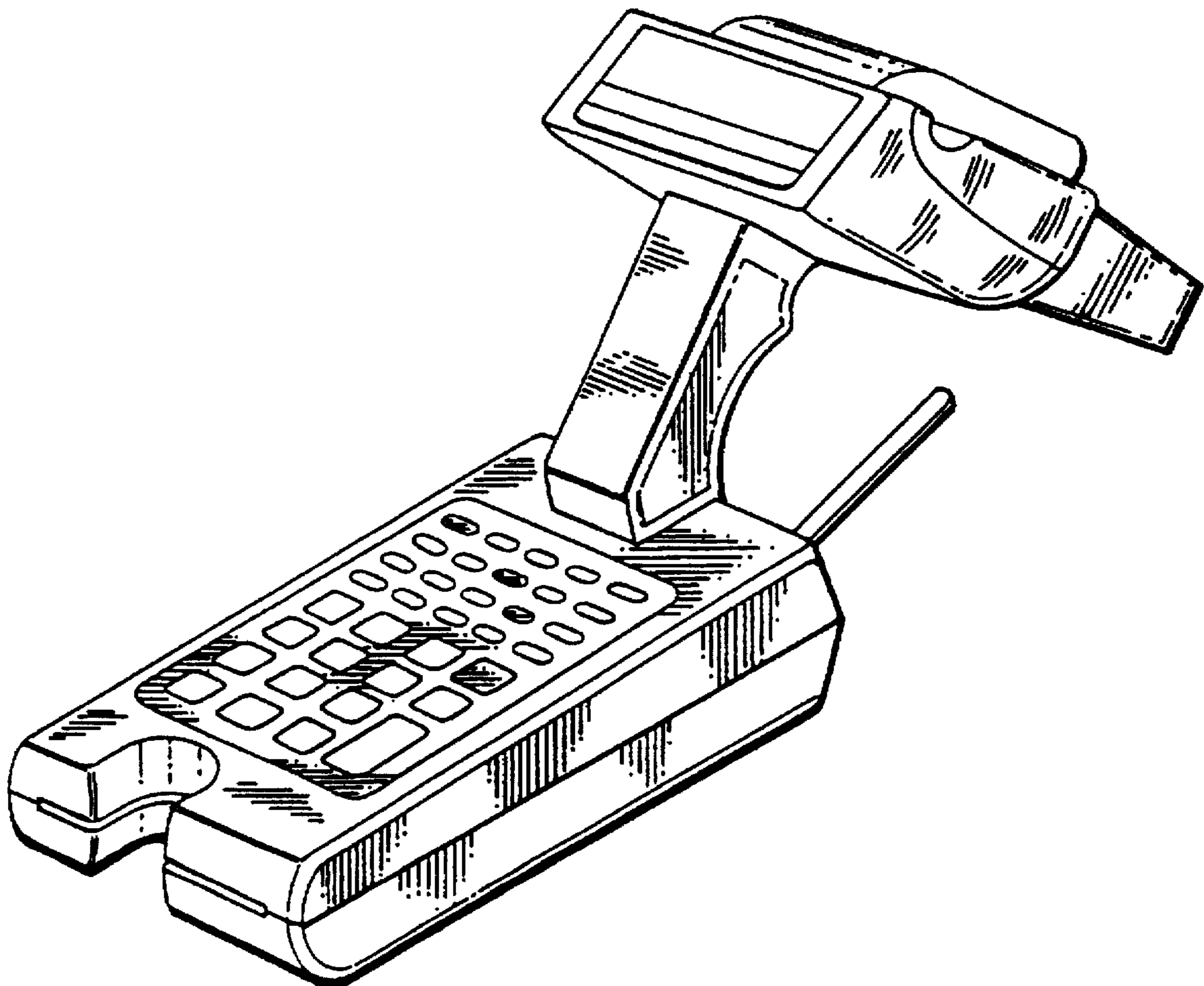
The ornamental design for a hand-held terminal, as shown.

**DESCRIPTION**

FIG. 1 is a right side elevational view of a hand-held terminal showing my new design;  
FIG. 2 is a top plan view thereof;  
FIG. 3 is a left side elevational view thereof;  
FIG. 4 is a bottom plan view thereof;  
FIG. 5 is a rear elevational view thereof;  
FIG. 6 is a front elevational view thereof; and,  
FIG. 7 is a perspective view thereof.

[56] **References Cited**  
**U.S. PATENT DOCUMENTS**  
D. 292,709 11/1987 Kosako ..... D18/2 X

**1 Claim, 3 Drawing Sheets**



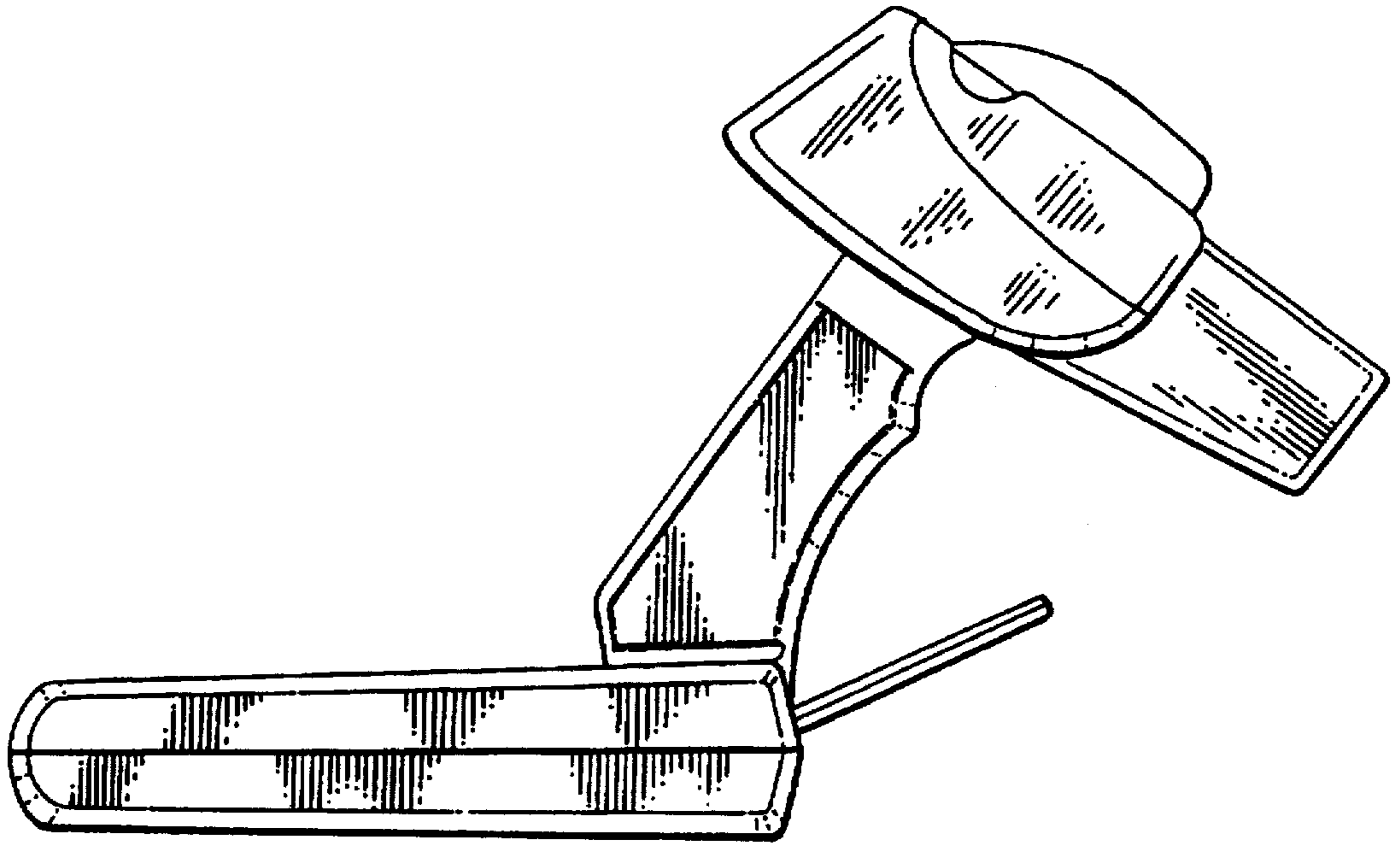


FIG. 1.

FIG. 2.

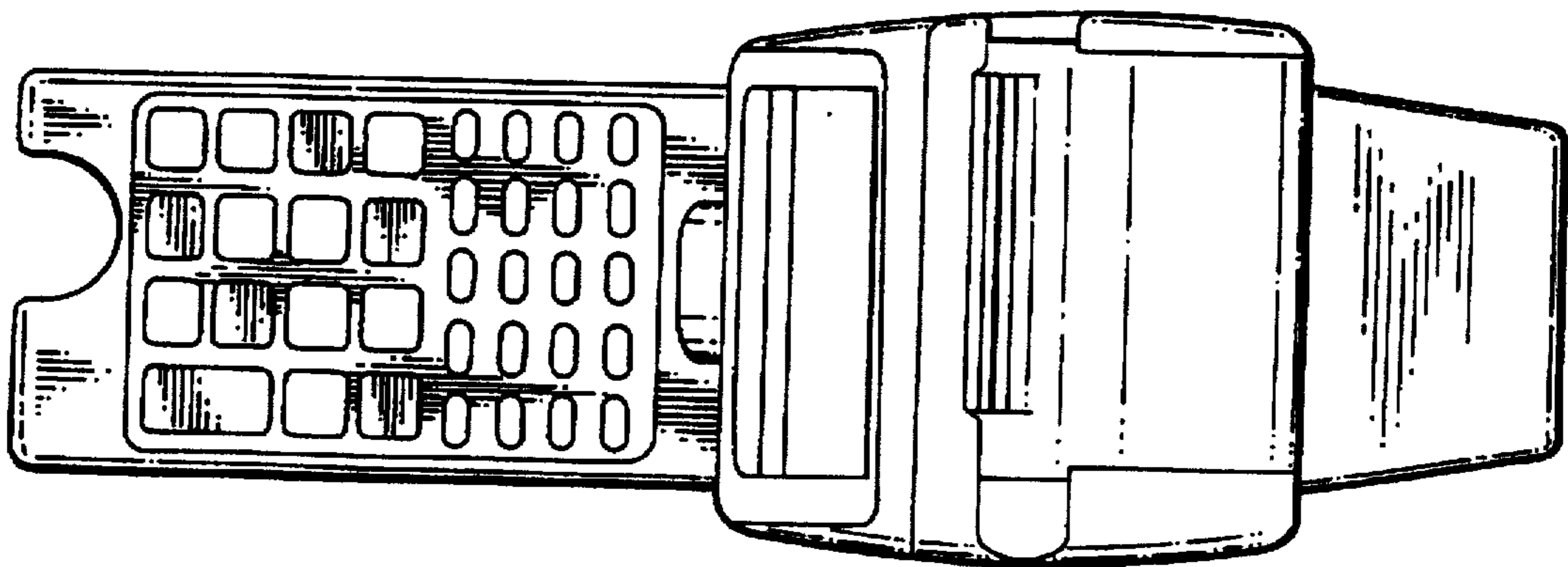


FIG. 3.

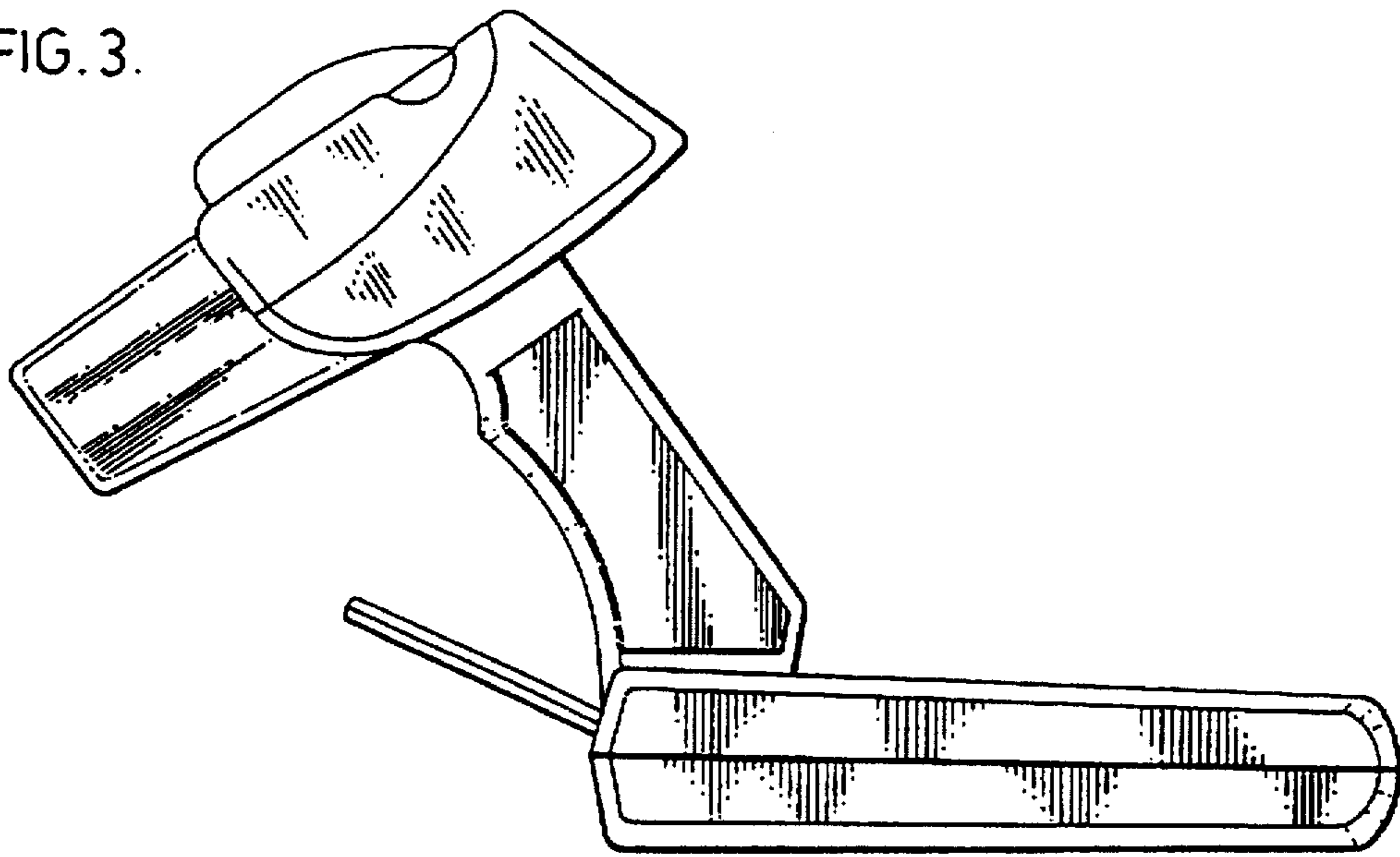


FIG. 4.

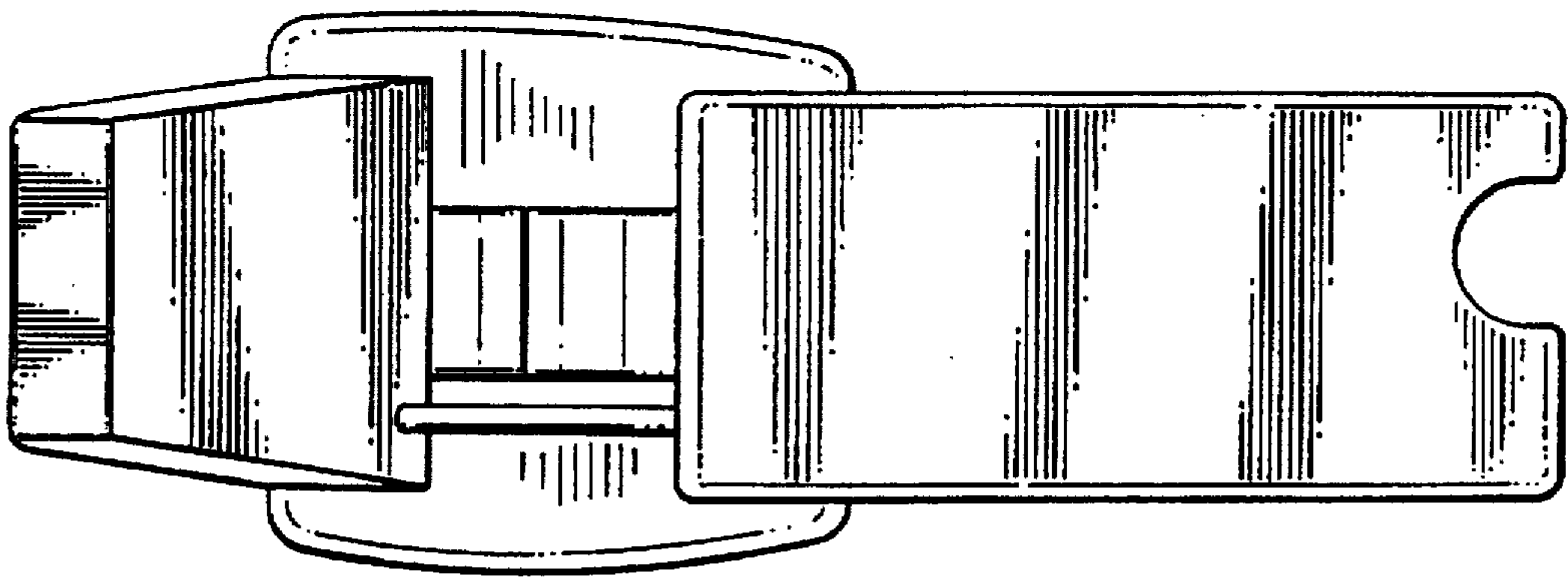


FIG. 5.

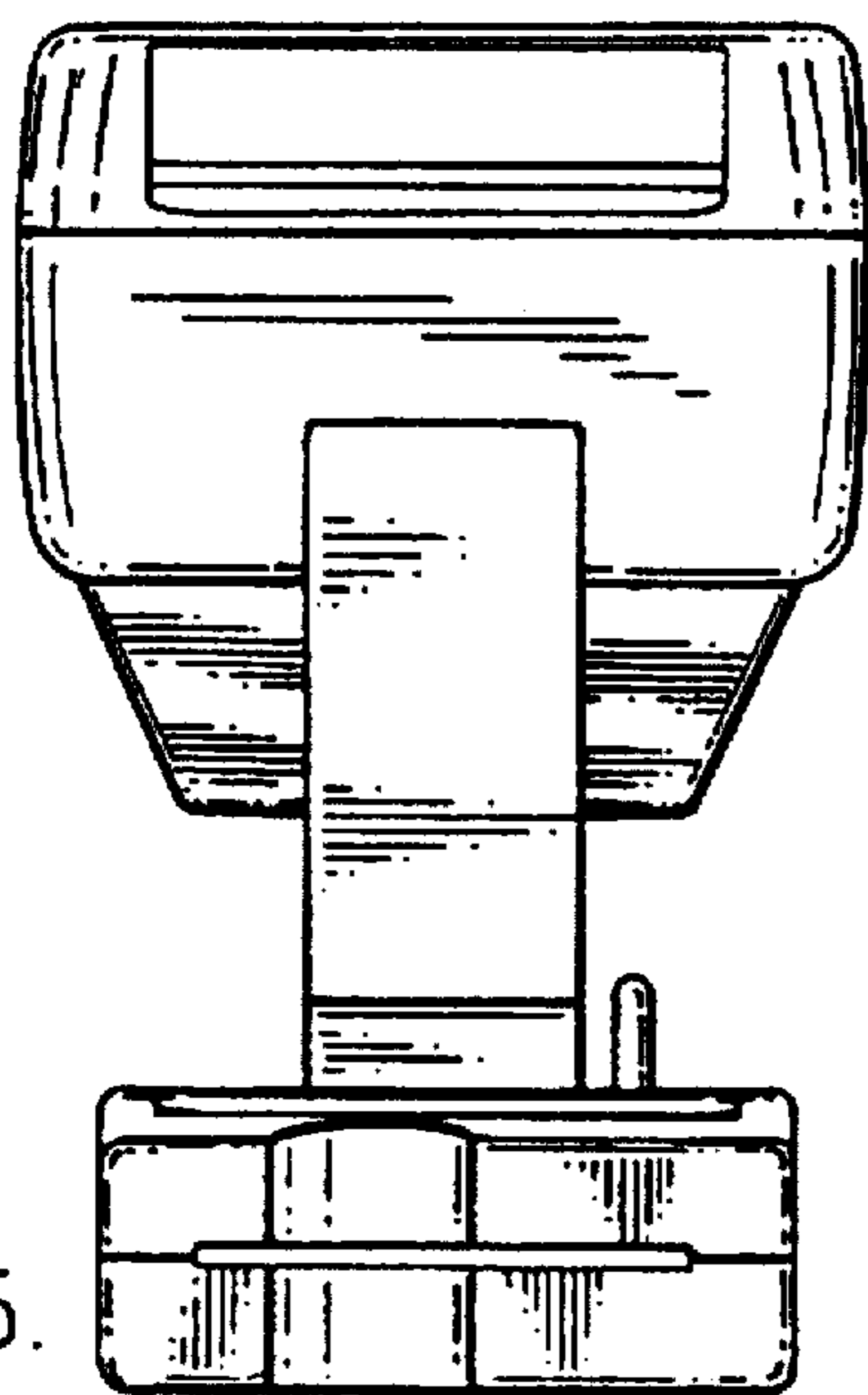
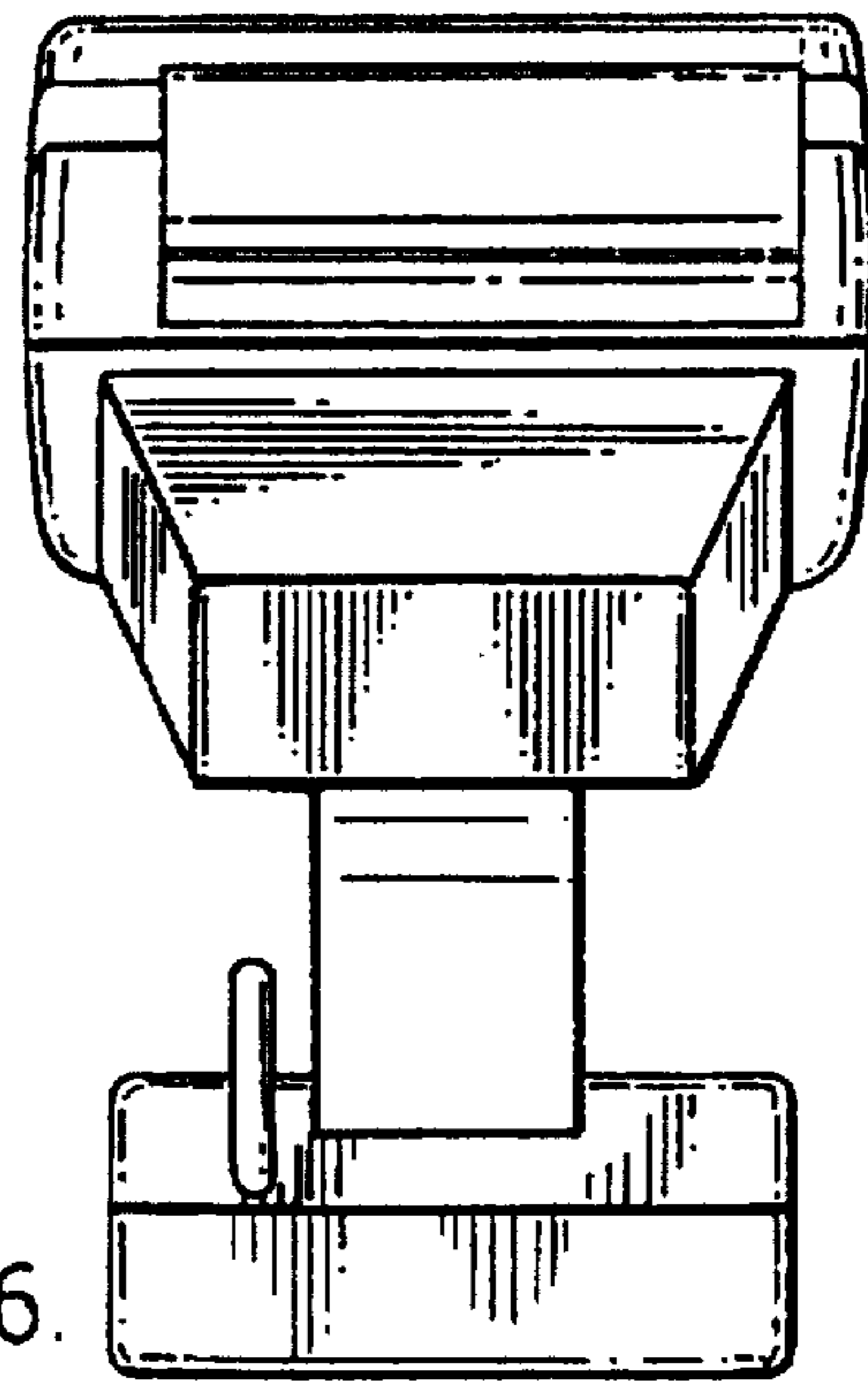


FIG. 6.



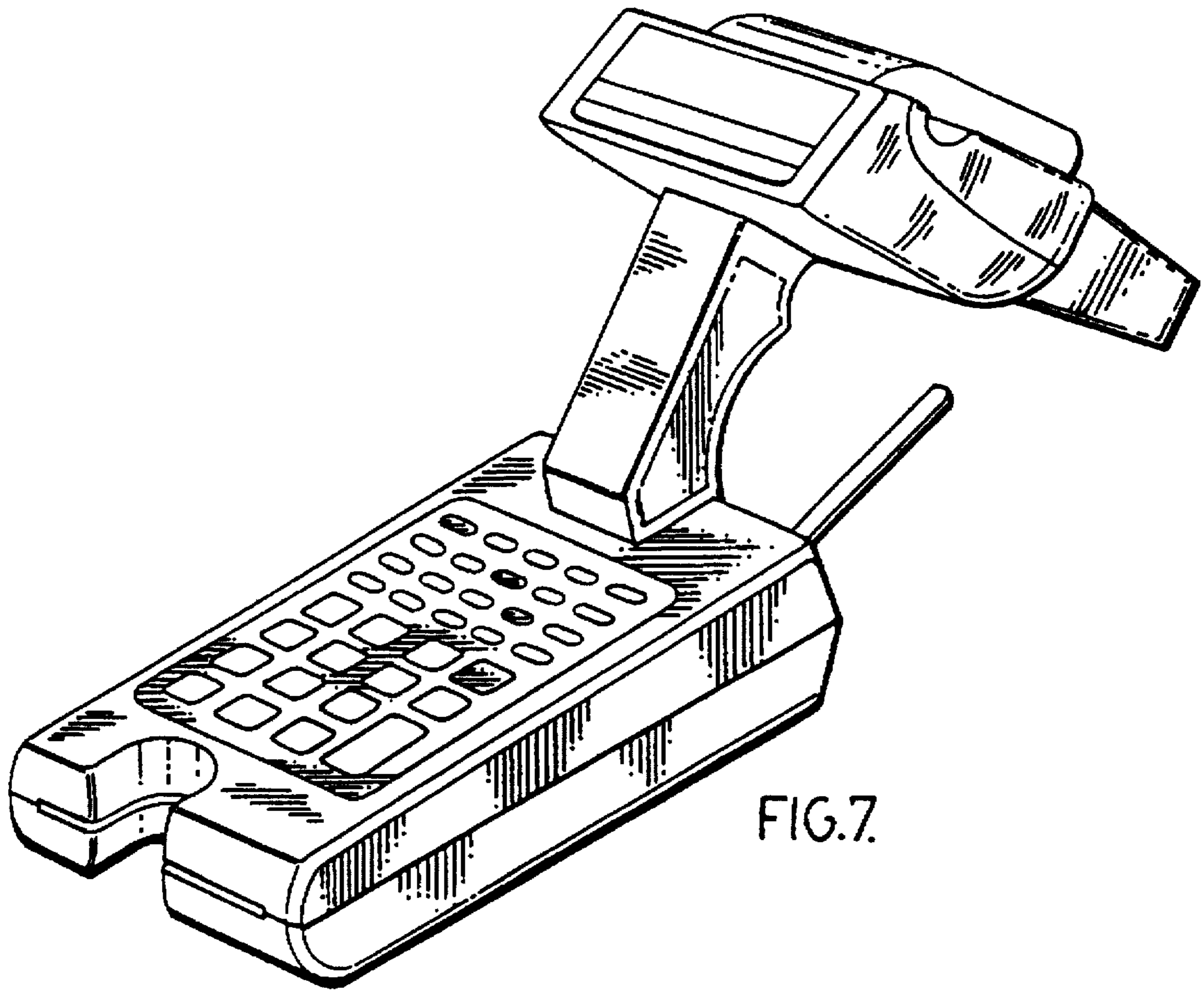


FIG.7.