



US00D384085S

United States Patent [19]
Harata

[11] **Patent Number: Des. 384,085**

[45] **Date of Patent: **Sep. 23, 1997**

[54] **VIDEO CAMERA COMBINED WITH VIDEO TAPE RECORDER**

[75] **Inventor: Tomohiro Harata, Tokyo, Japan**

[73] **Assignee: Sony Corporation, Tokyo, Japan**

[**] **Term: 14 Years**

[21] **Appl. No.: 42,751**

[22] **Filed: Aug. 16, 1995**

[30] **Foreign Application Priority Data**

Feb. 20, 1995 [JP] Japan 7-3990

[51] **LOC (6) Cl. 16-01**

[52] **U.S. Cl. D16/202**

[58] **Field of Search D16/200-208; 348/373-376; 354/82, 288; 358/906; H04N 2/225**

[56] **References Cited**

U.S. PATENT DOCUMENTS

- D. 350,360 9/1994 Masuda D16/202
- D. 355,664 2/1995 Kataoka D16/202
- D. 360,425 7/1995 Sato et al. D16/202
- D. 361,778 8/1995 Matsumura D16/202
- 5,305,030 4/1994 Yokoyama et al. 354/64

FOREIGN PATENT DOCUMENTS

4-84571 3/1992 Japan H04N 5/225

OTHER PUBLICATIONS

Video Magazine Jan. 1993 p. 91 (Hitachi's VMH39a).

Primary Examiner—Ted Shooman
Assistant Examiner—Adir Aronovich
Attorney, Agent, or Firm—Foley & Lardner

[57] **CLAIM**

The ornamental design for a video camera combined with video tape recorder, as shown and described.

DESCRIPTION

FIG. 1 is a top, front perspective view of a video camera combined with vide tape recorder showing my new design; FIG. 2 is a top, rear perspective view thereof the viewing screen shown in an extending away position; FIG. 3 is a top plan view thereof; FIG. 4 is a left side elevational view thereof; FIG. 5 is a front elevational view thereof; FIG. 6 is a right side elevational view thereof; FIG. 7 is a rear elevational view thereof; FIG. 8 is a bottom plan view thereof; FIG. 9 is a top, rear perspective view thereof, the viewing screen shown in the first alternate position; FIG. 10 is a top, rear perspective view thereof, the viewing screen shown in the second alternate position; and, FIG. 11 is a top, rear perspective view thereof, the viewing screen shown in the third alternate position.

1 Claim, 3 Drawing Sheets

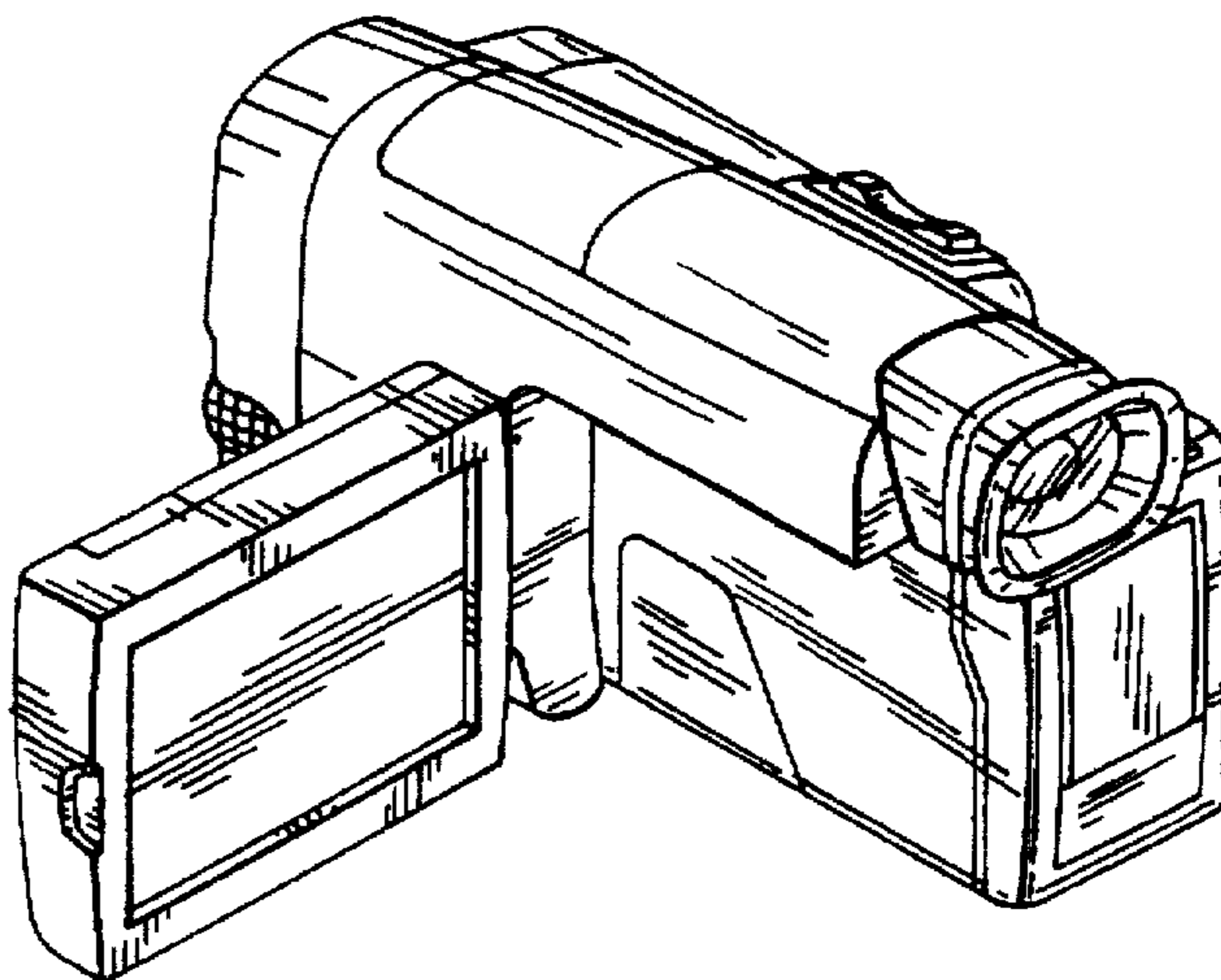
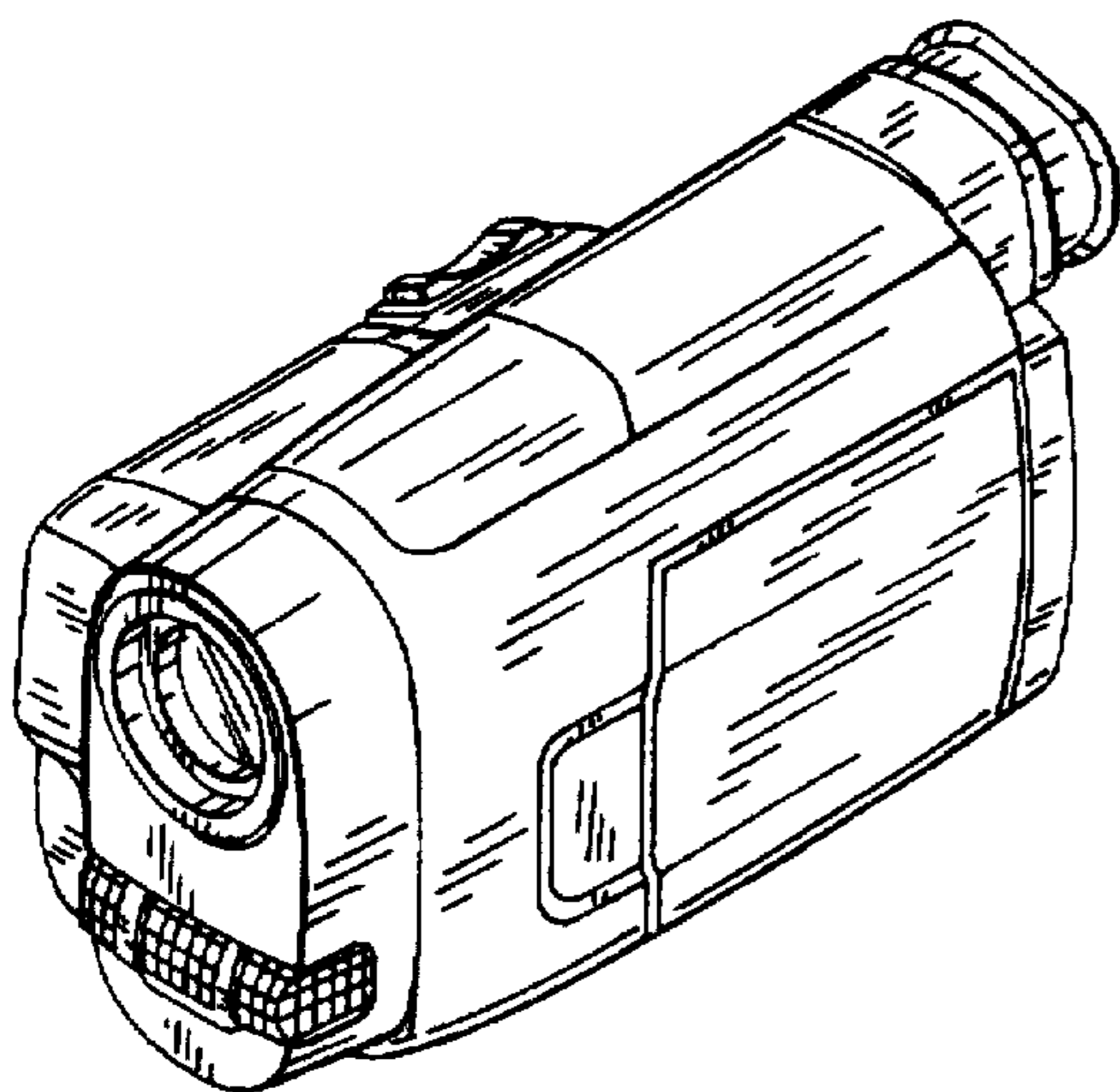


FIG. 3

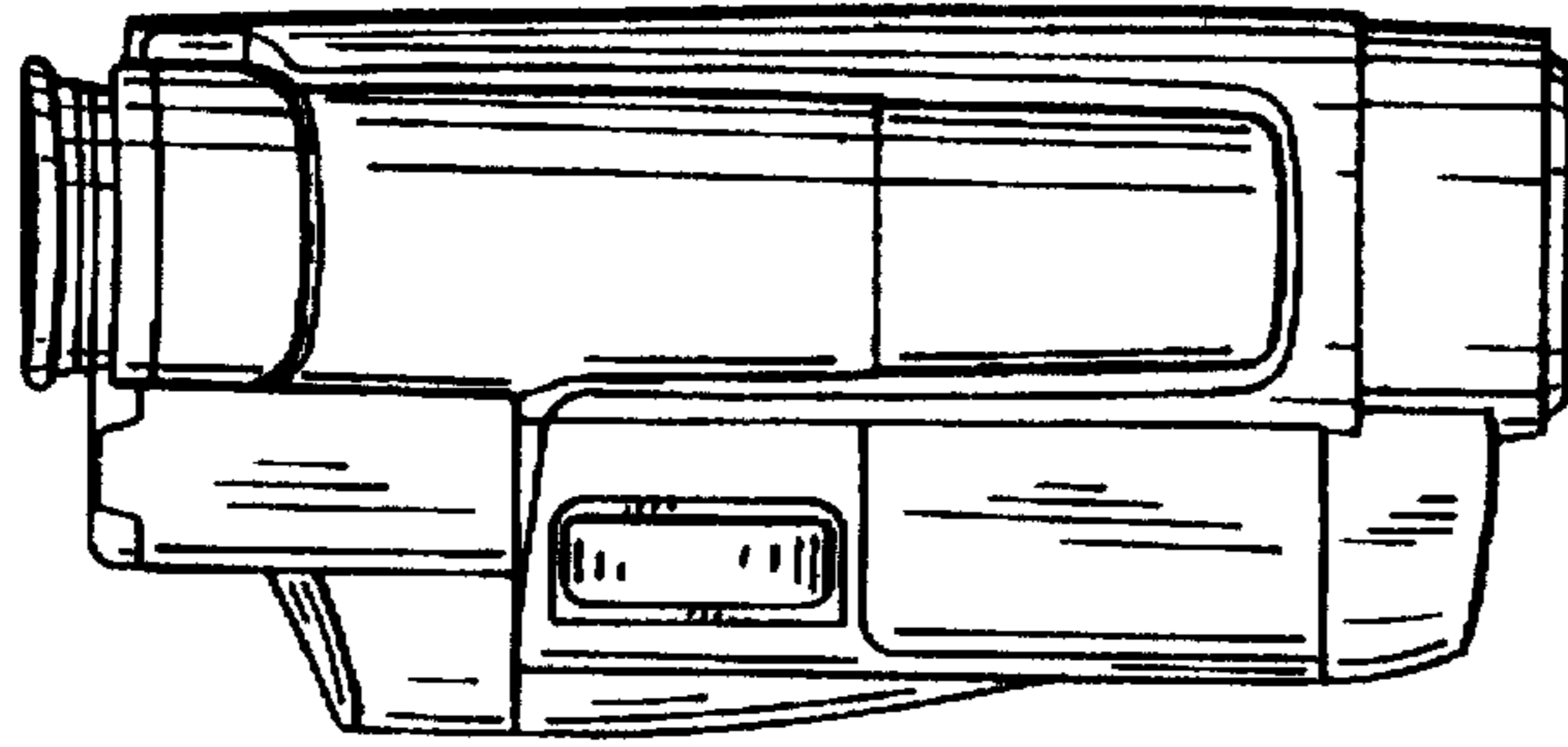


FIG. 2

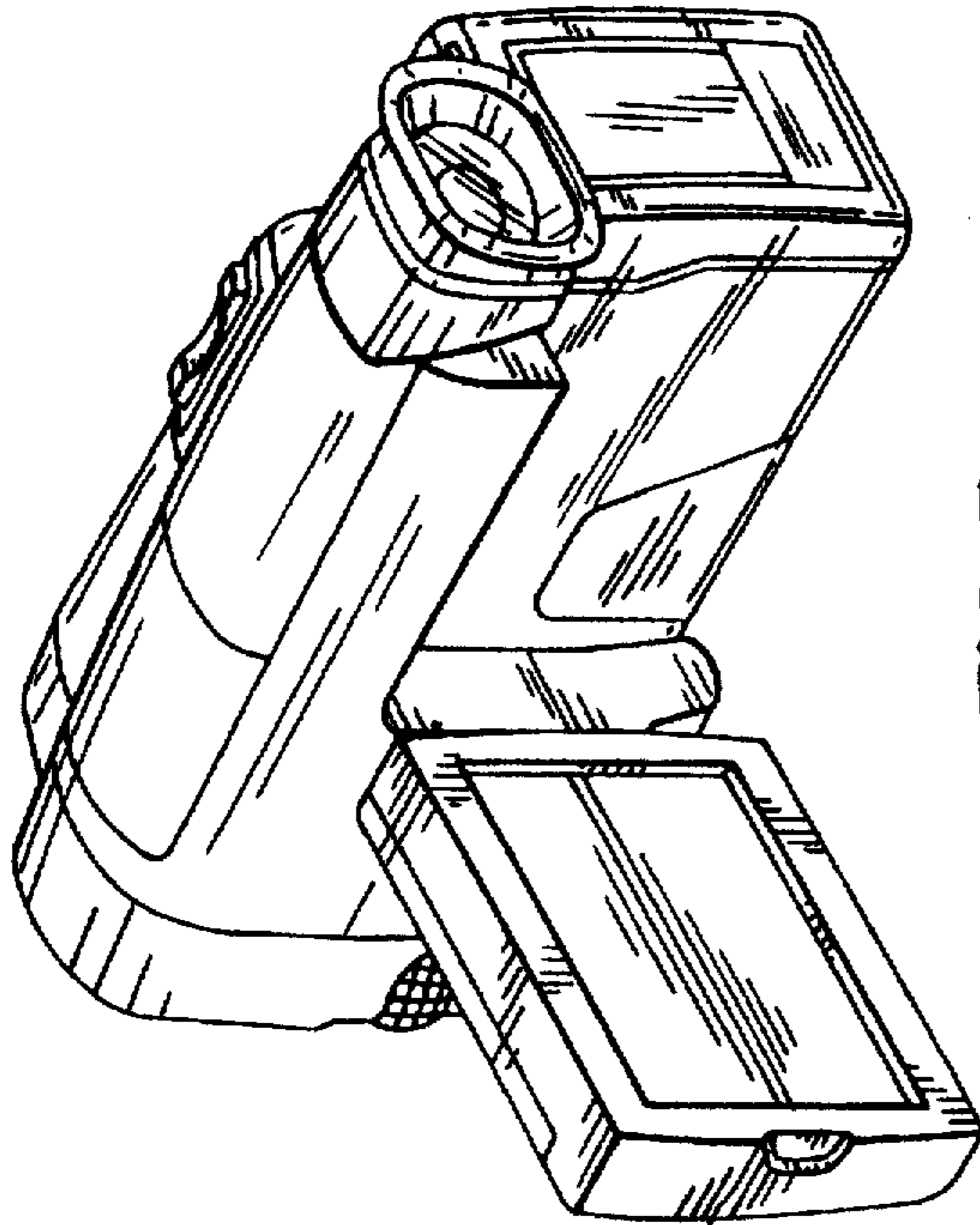


FIG. 5

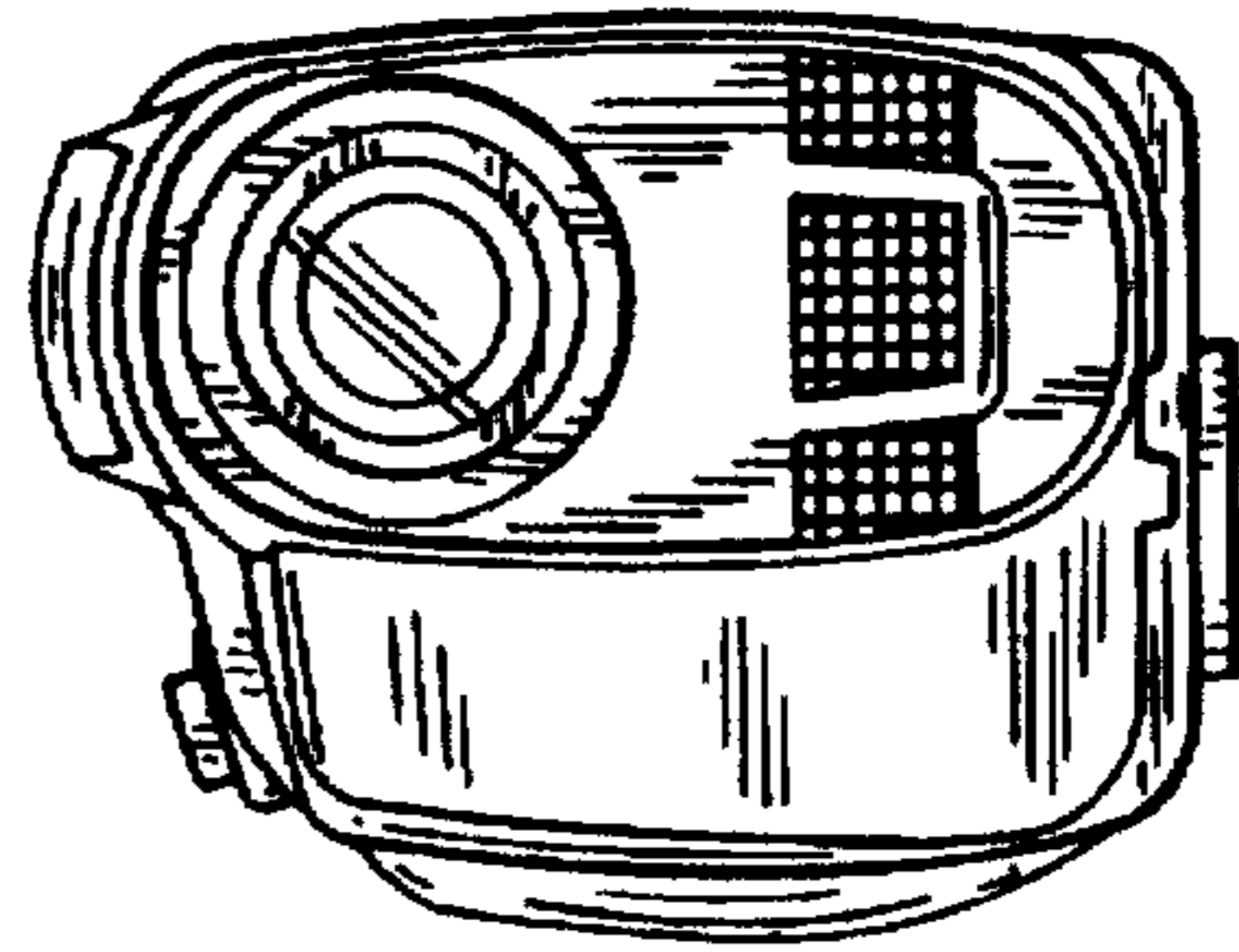


FIG. 1

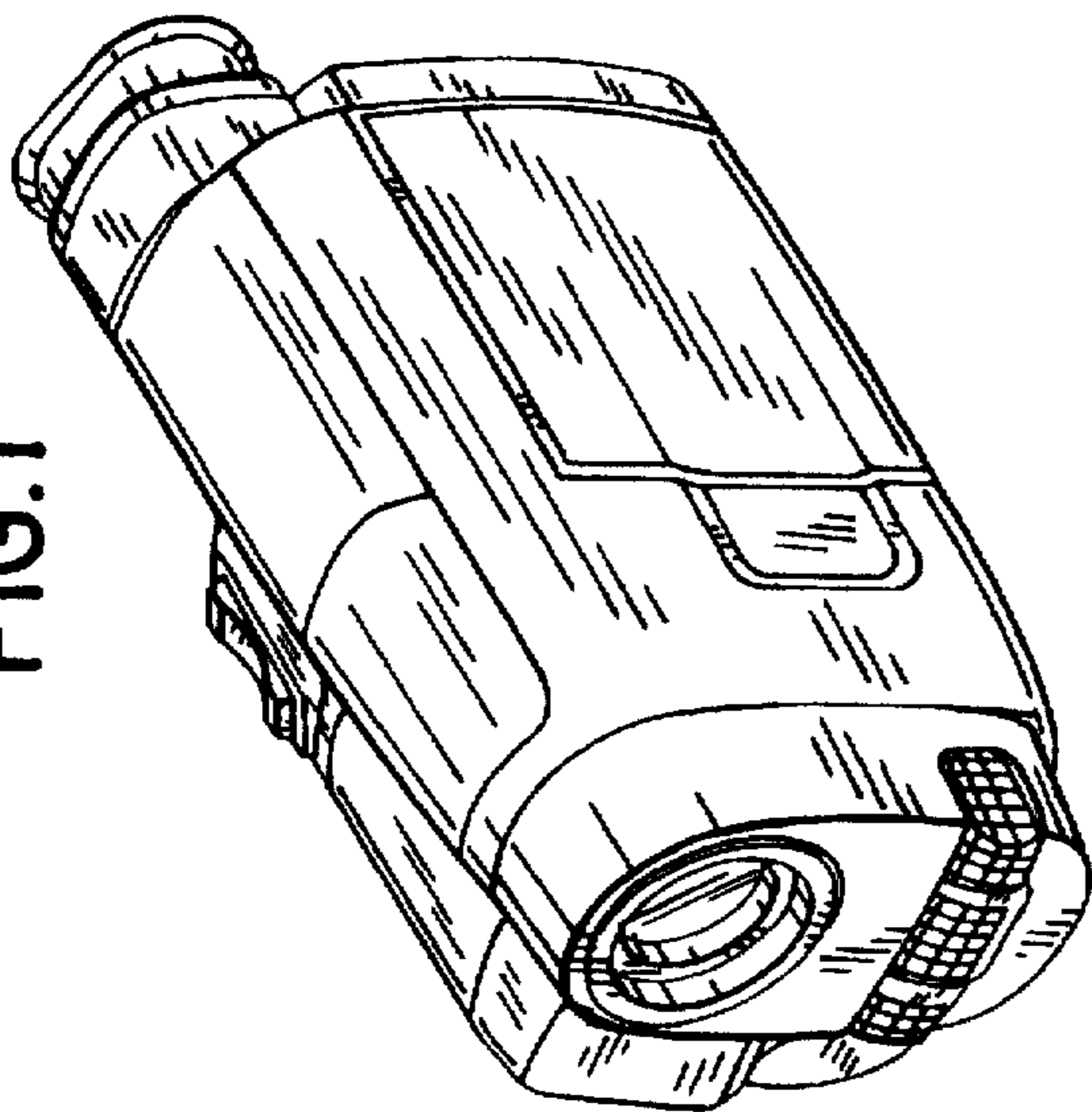


FIG. 4

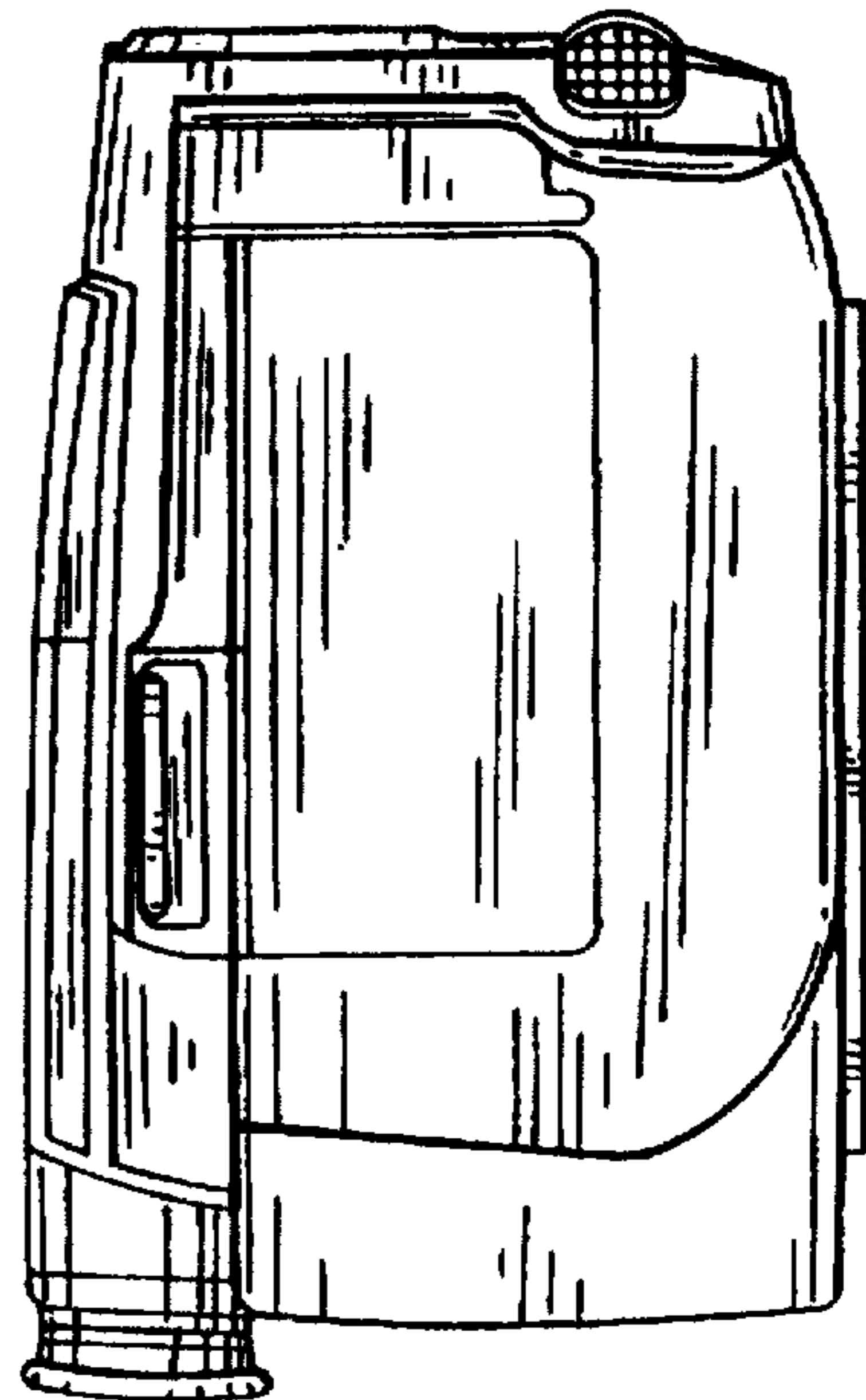


FIG. 8

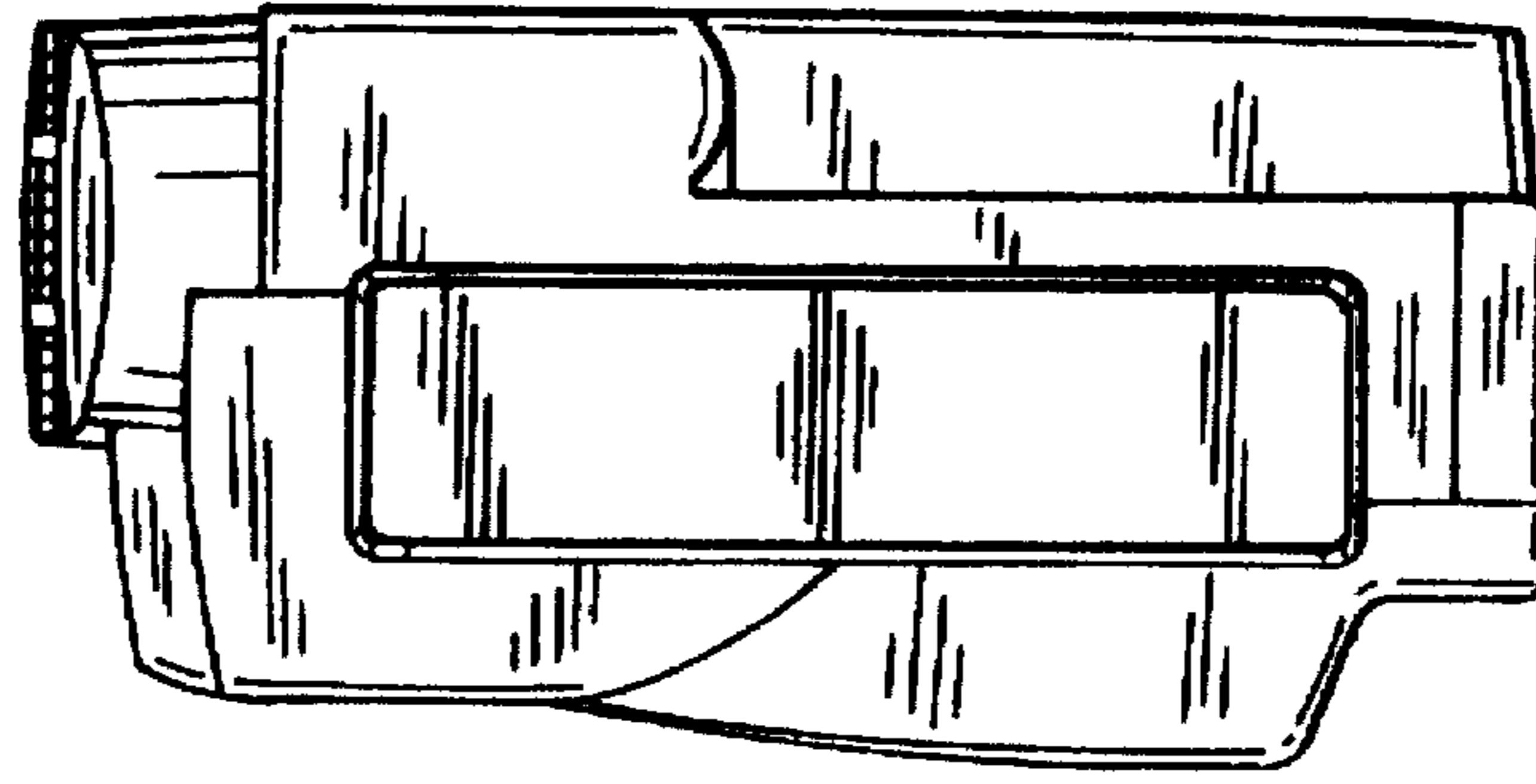


FIG. 7

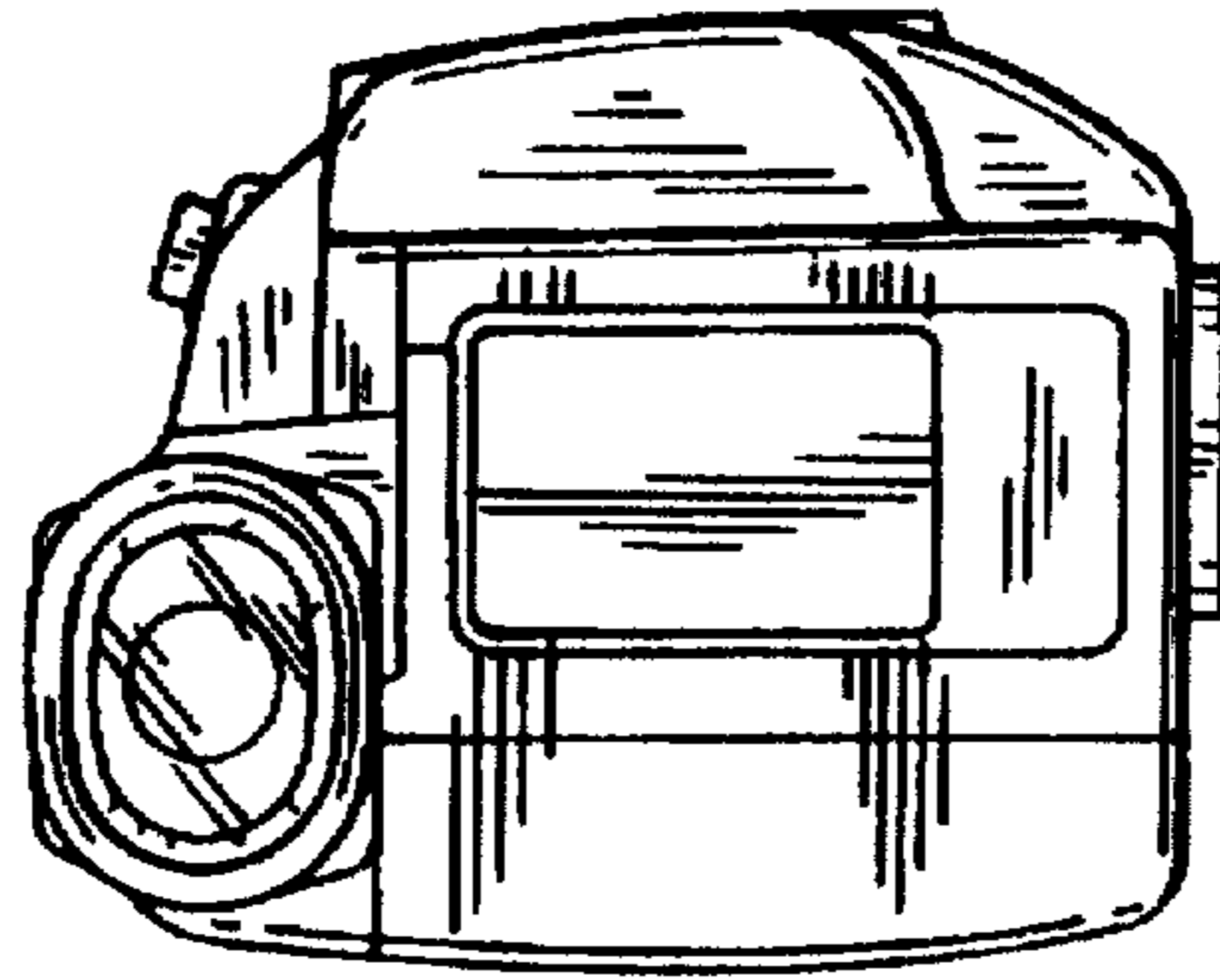


FIG. 6

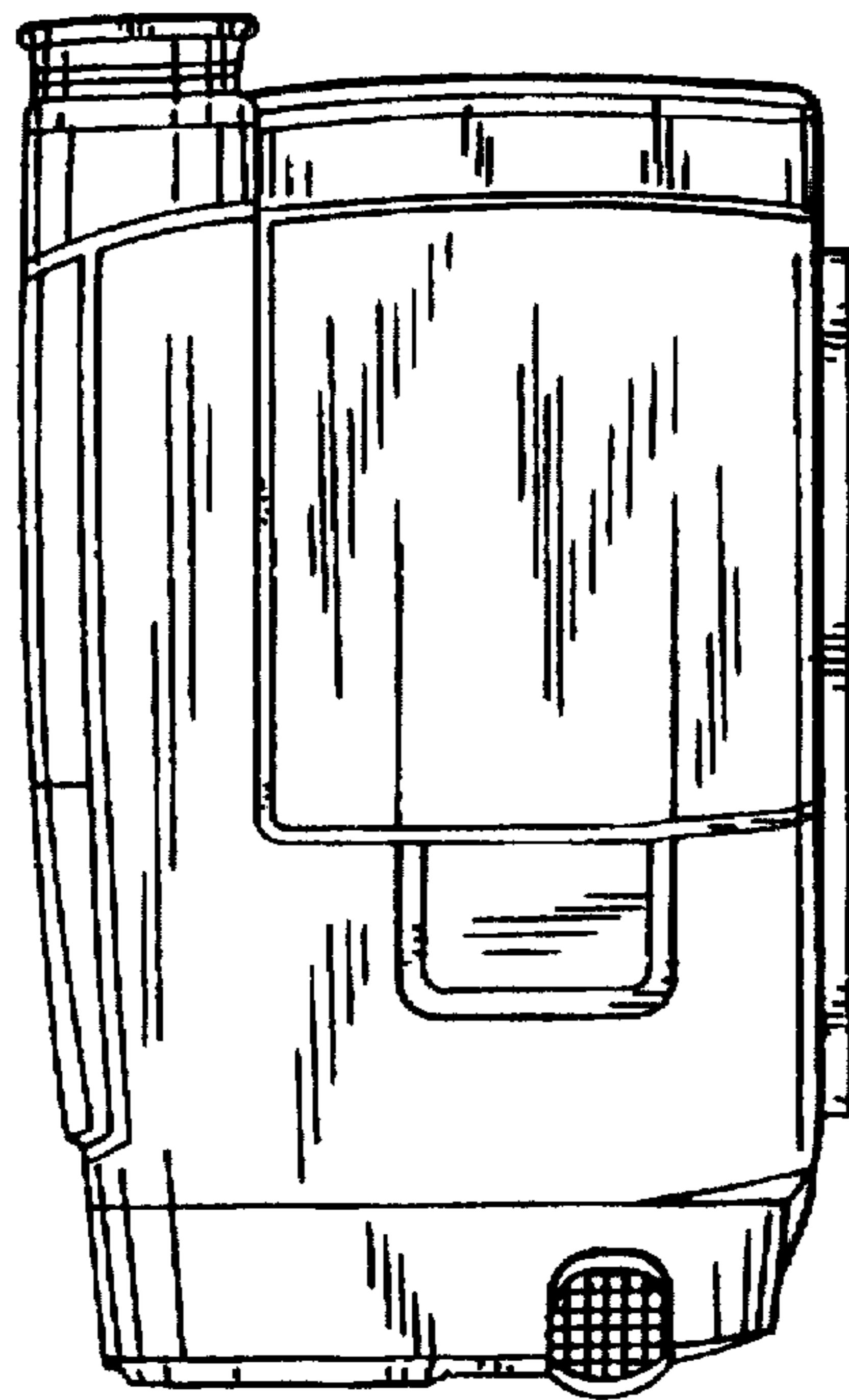


FIG.10

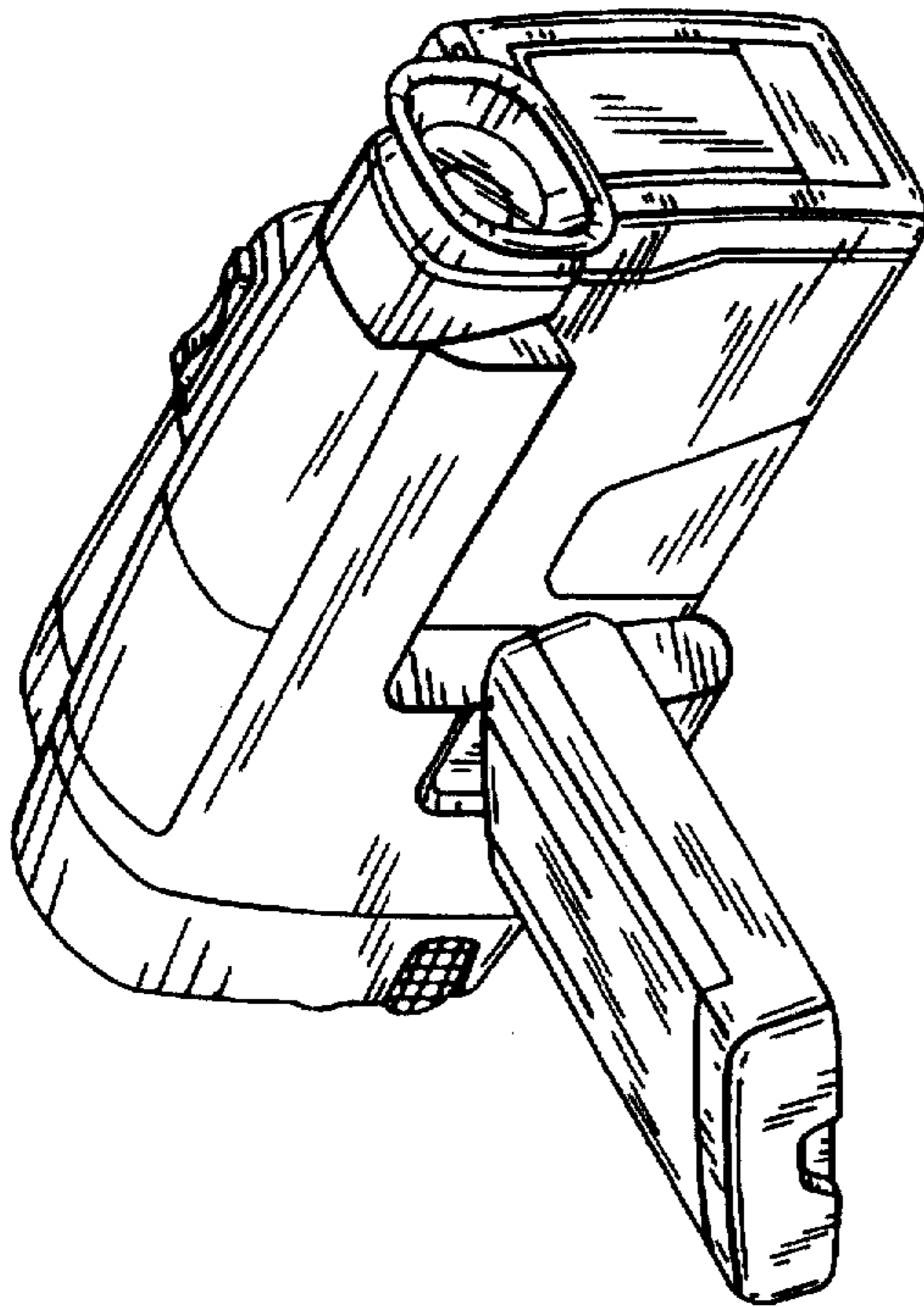


FIG.11

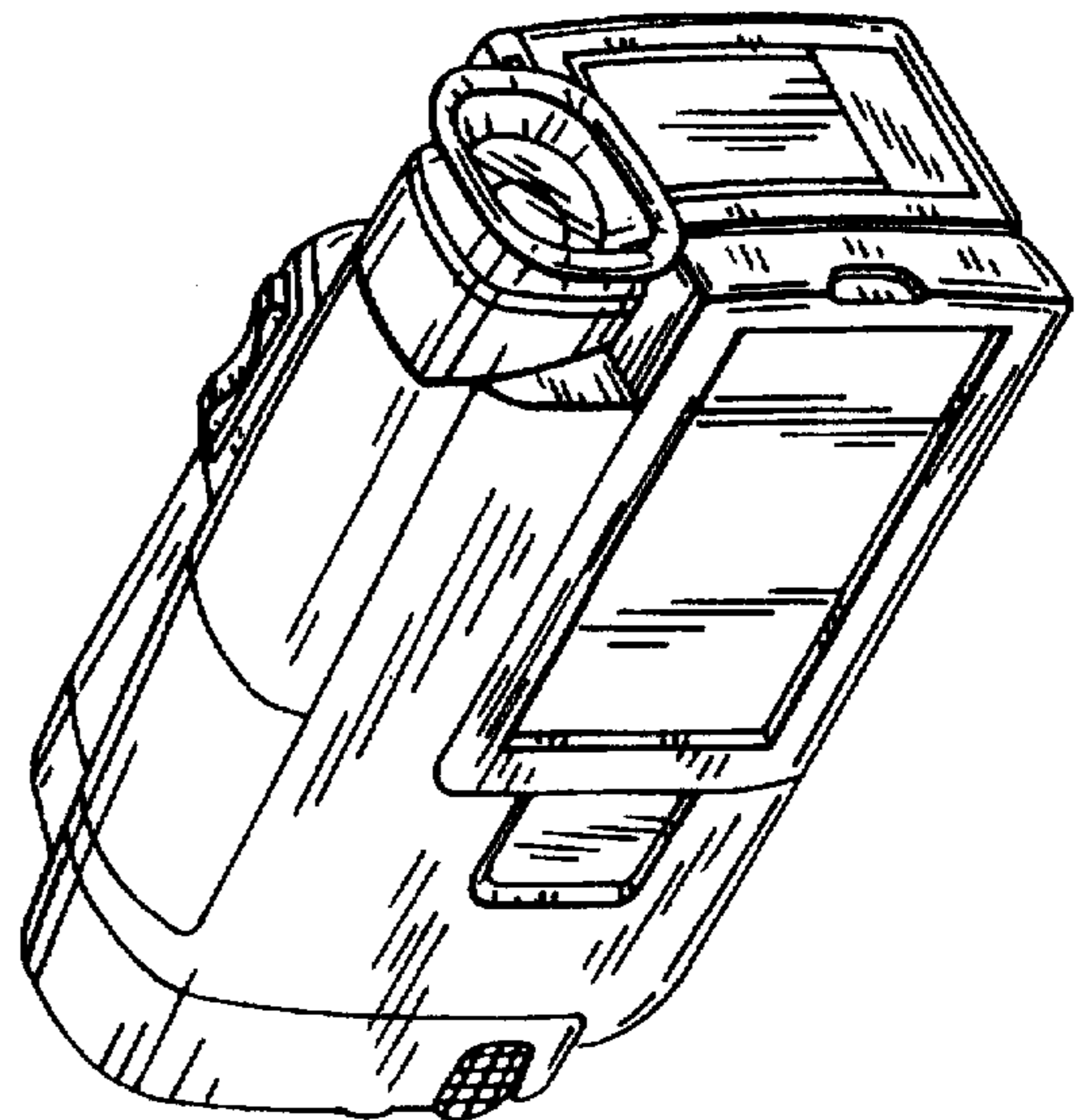


FIG.9

