



US00D384083S

# United States Patent [19] Hinklin

[11] Patent Number: **Des. 384,083**

[45] Date of Patent: **\*\*Sep. 23, 1997**

[54] **WALK-BEHIND LAWN MOWER**

[75] Inventor: **Darrell W. Hinklin**, Excelsior, Minn.

[73] Assignee: **The Toro Company**, Bloomington, Minn.

[\*\*] Term: **14 Years**

[21] Appl. No.: **38,436**

[22] Filed: **May 5, 1995**

[51] LOC (6) Cl. .... **15-03**

[52] U.S. Cl. .... **D15/14**

[58] Field of Search ..... **D15/10, 14-17; 56/6, 11.8, 13.3, 13.4, 15.8, 16.7, 17.1, 17.4, 202, 255, 320.1, 320.2**

[56] **References Cited**

**U.S. PATENT DOCUMENTS**

D. 145,836	10/1946	Doyle	.....	D40/1
D. 173,099	9/1954	Butler	.....	D40/1
D. 307,911	5/1990	Miyawaki et al.	.....	D15/14
D. 308,681	6/1990	Sadakane et al.	.....	D15/14
D. 317,165	5/1991	Schweitz et al.	.....	D15/14
D. 319,447	8/1991	Oshima et al.	.....	D15/14
D. 352,042	11/1994	Davies, III	.....	D15/17
D. 352,043	11/1994	Davies, III	.....	D15/17
4,711,077	12/1987	Kutsukake et al.	.....	56/225
4,897,988	2/1990	Schweitz et al.	.....	56/17.4
4,962,635	10/1990	Jones et al.	.....	56/17.4
5,497,606	3/1996	Baxter	.....	56/17.1

**OTHER PUBLICATIONS**

John Deere Walk-Behinds, Riders, & STX Tractors, p. 3—lawn mower, bottom.  
Toro Lawn Mowers Finishing Equipment 1992 Catalog, Form No. 490-5354-C, copyright 1991.

Toro Lawn Mowers and Trimmers catalog, Form No. 490-5489-C, copyright 1993.

Lawn-Boy Silver Series Model Sell Sheet, Form No. 215890, copyright 1993.

*Primary Examiner*—Sandra L. Morris  
*Attorney, Agent, or Firm*—Donald S. Trevarthen

[57] **CLAIM**

The ornamental design for a walk-behind lawn mower, as shown.

**DESCRIPTION**

FIG. 1 is a top, front, and right side perspective view of a walk-behind lawn mower showing my new design;

FIG. 2 is a front elevational view of FIG. 1;

FIG. 3 is a rear elevational view of FIG. 1;

FIG. 4 is a right side elevational view of FIG. 1;

FIG. 5 is a left side elevational view of FIG. 1;

FIG. 6 is a top plan view of FIG. 1;

FIG. 7 is a top, front, and right side perspective view of a walk-behind lawn mower showing a second embodiment of my new design;

FIG. 8 is a front elevational view of FIG. 7;

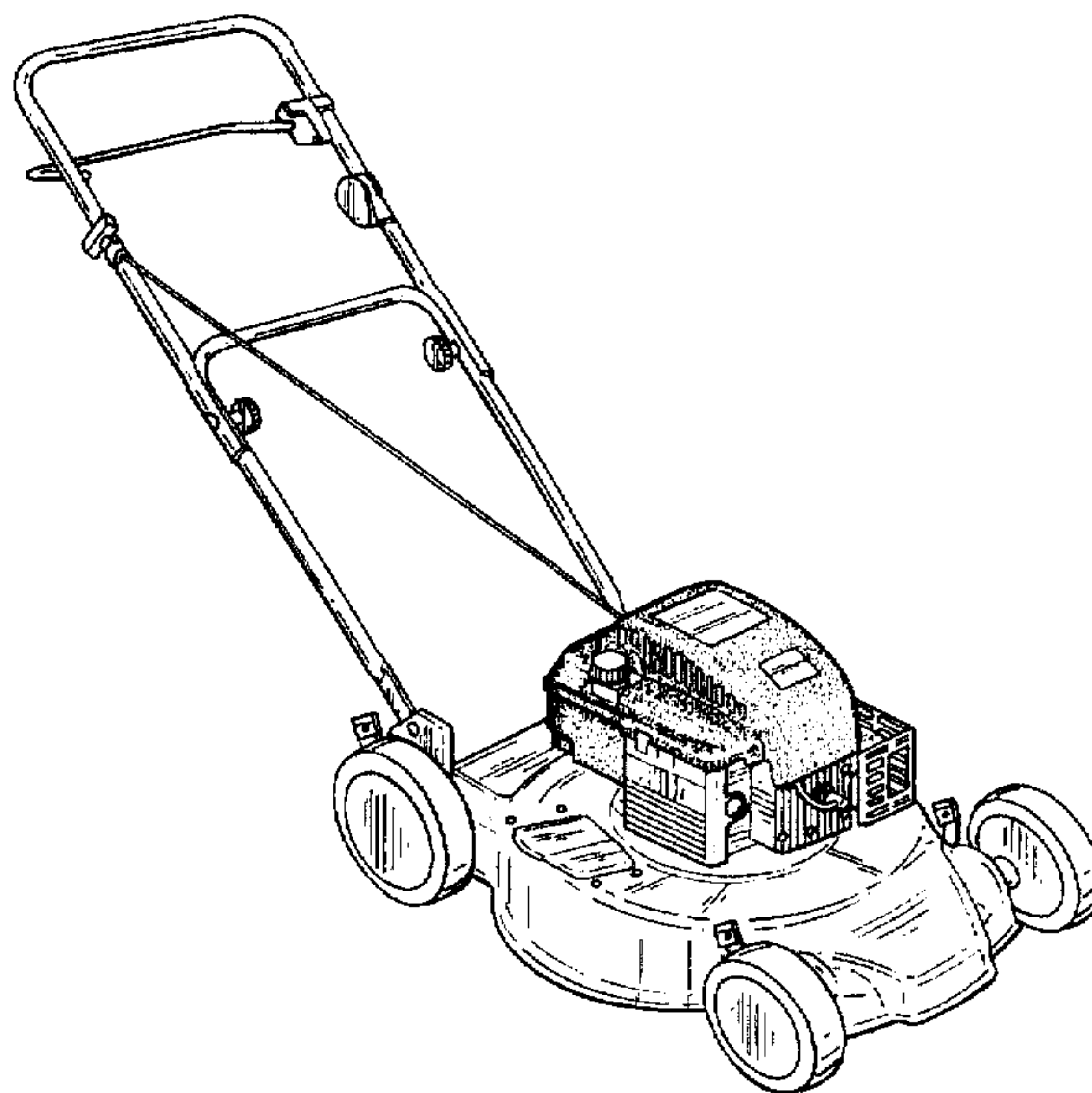
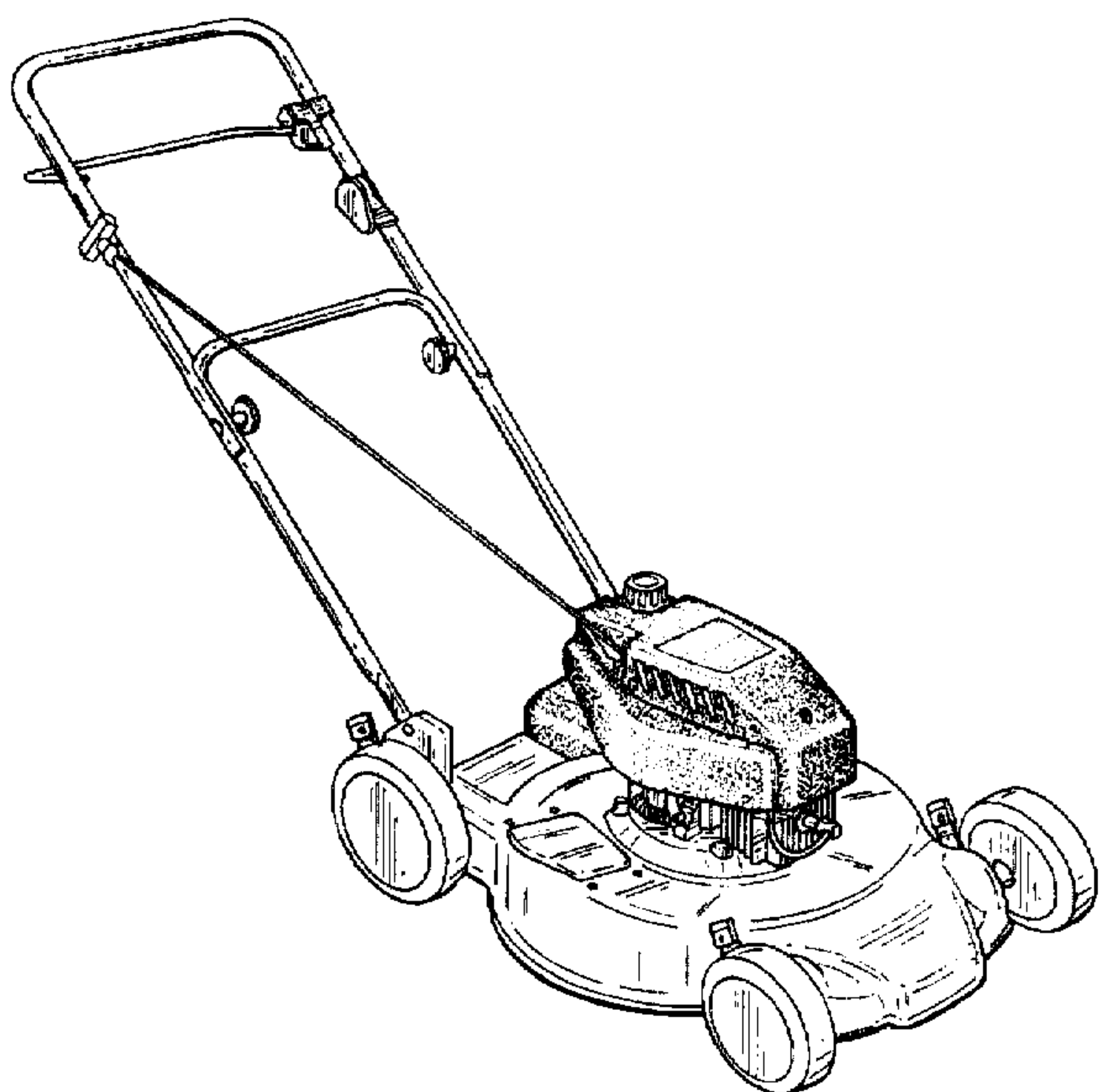
FIG. 9 is a rear elevational view of FIG. 7;

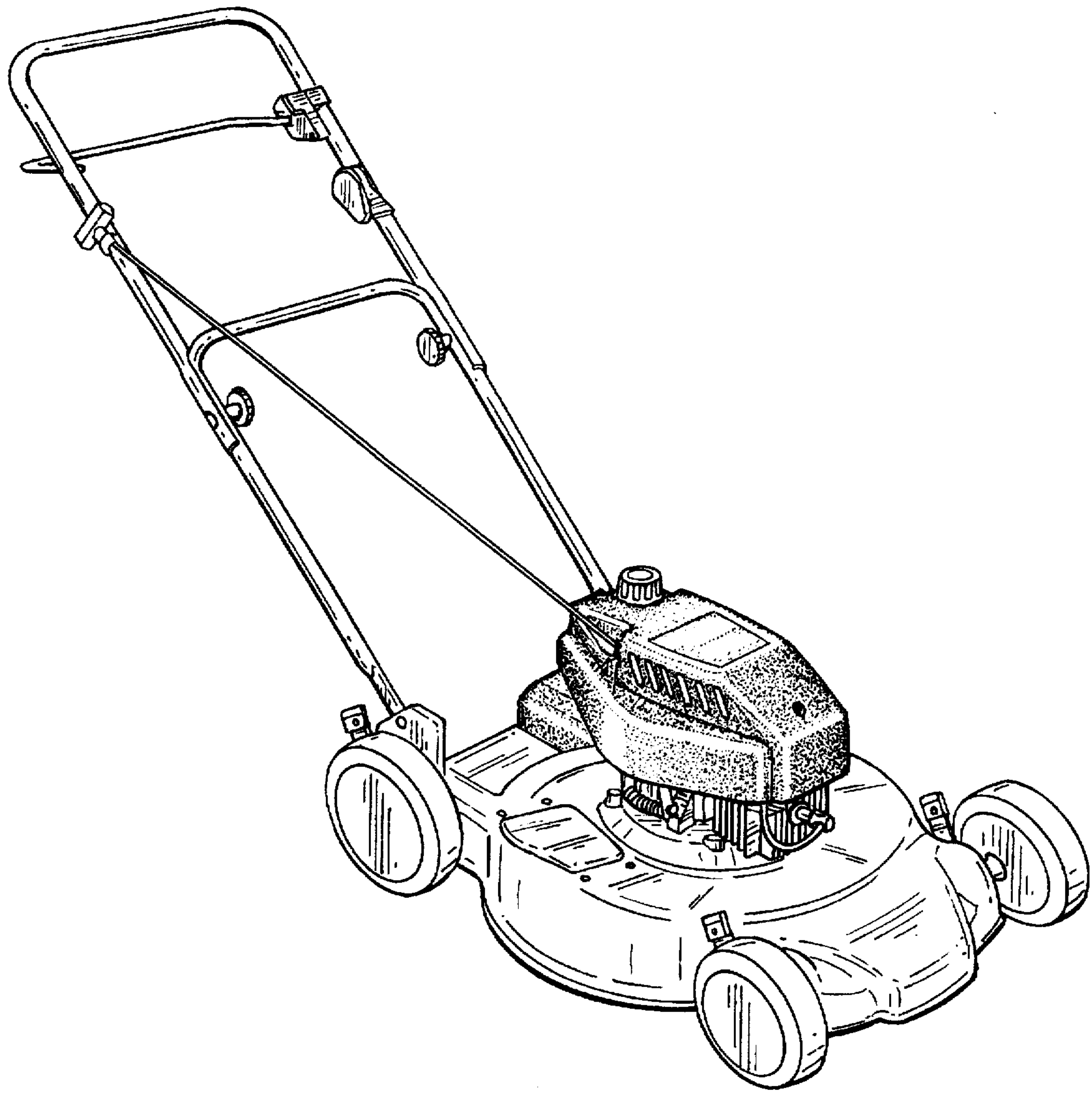
FIG. 10 is a right side elevational view of FIG. 7;

FIG. 11 is a left side elevational view of FIG. 7; and,

FIG. 12 is a top plan view of FIG. 7.

**1 Claim, 10 Drawing Sheets**





*FIG. 1*

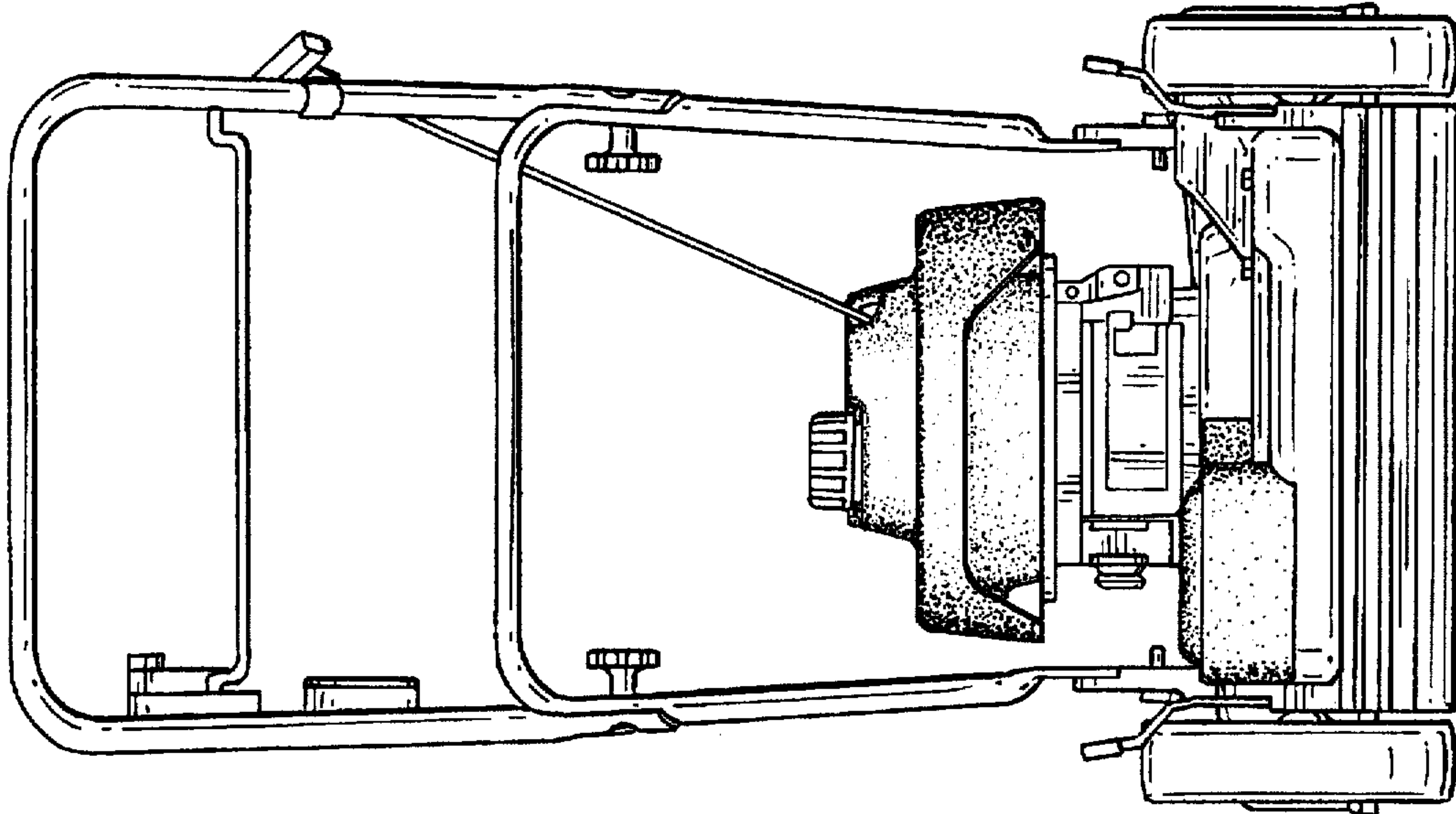


FIG. 3

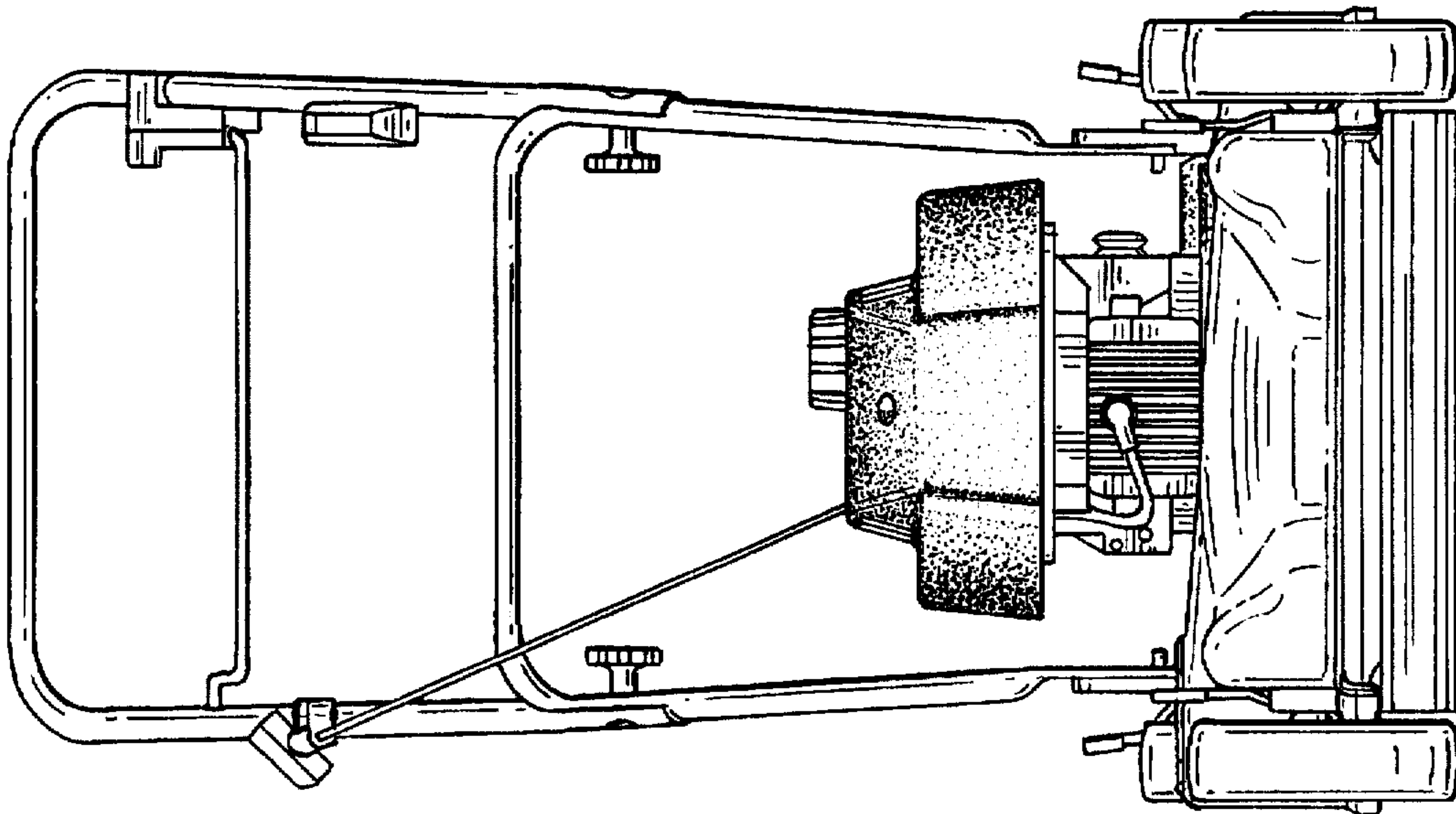


FIG. 2



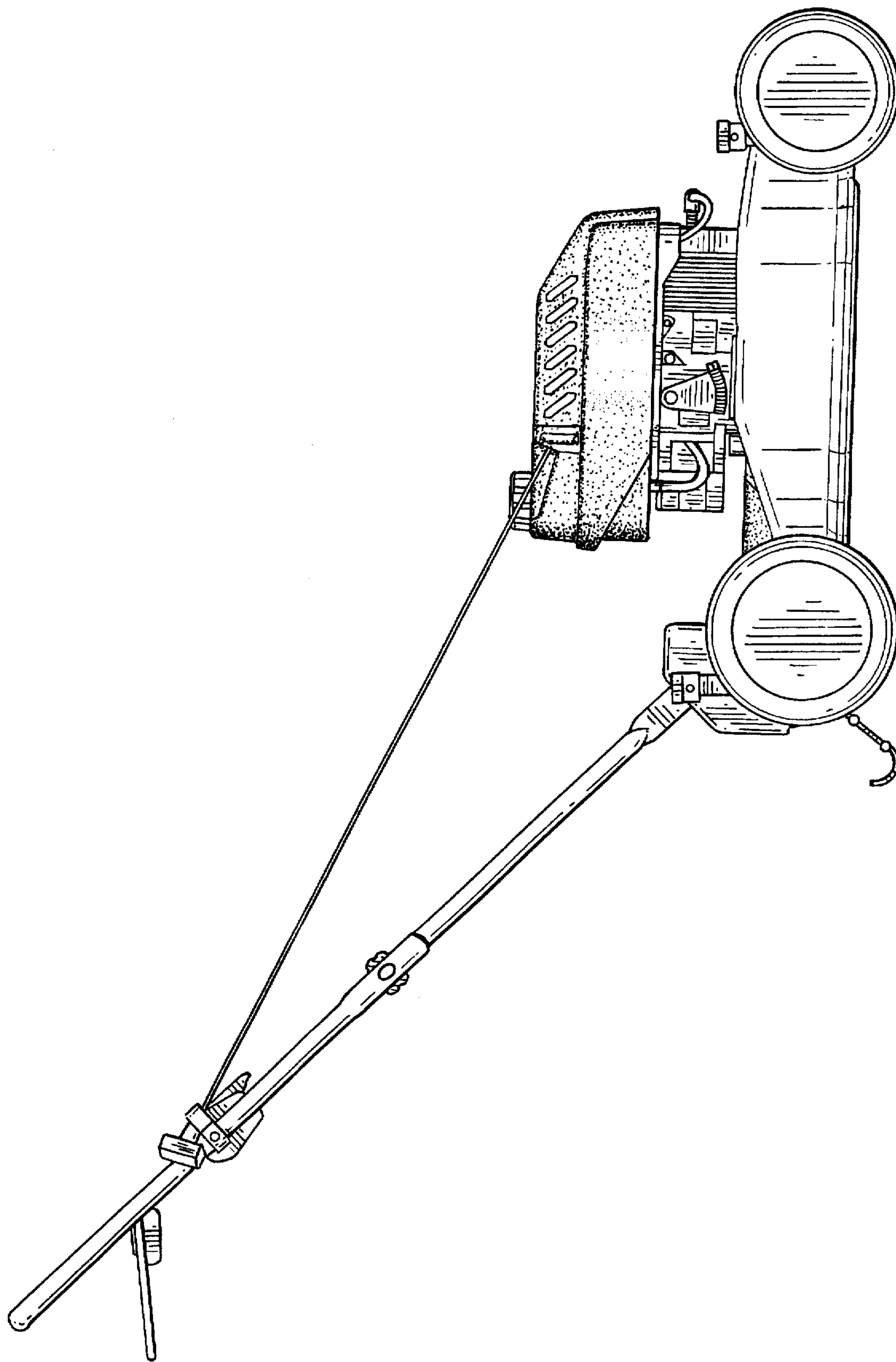


FIG. 4

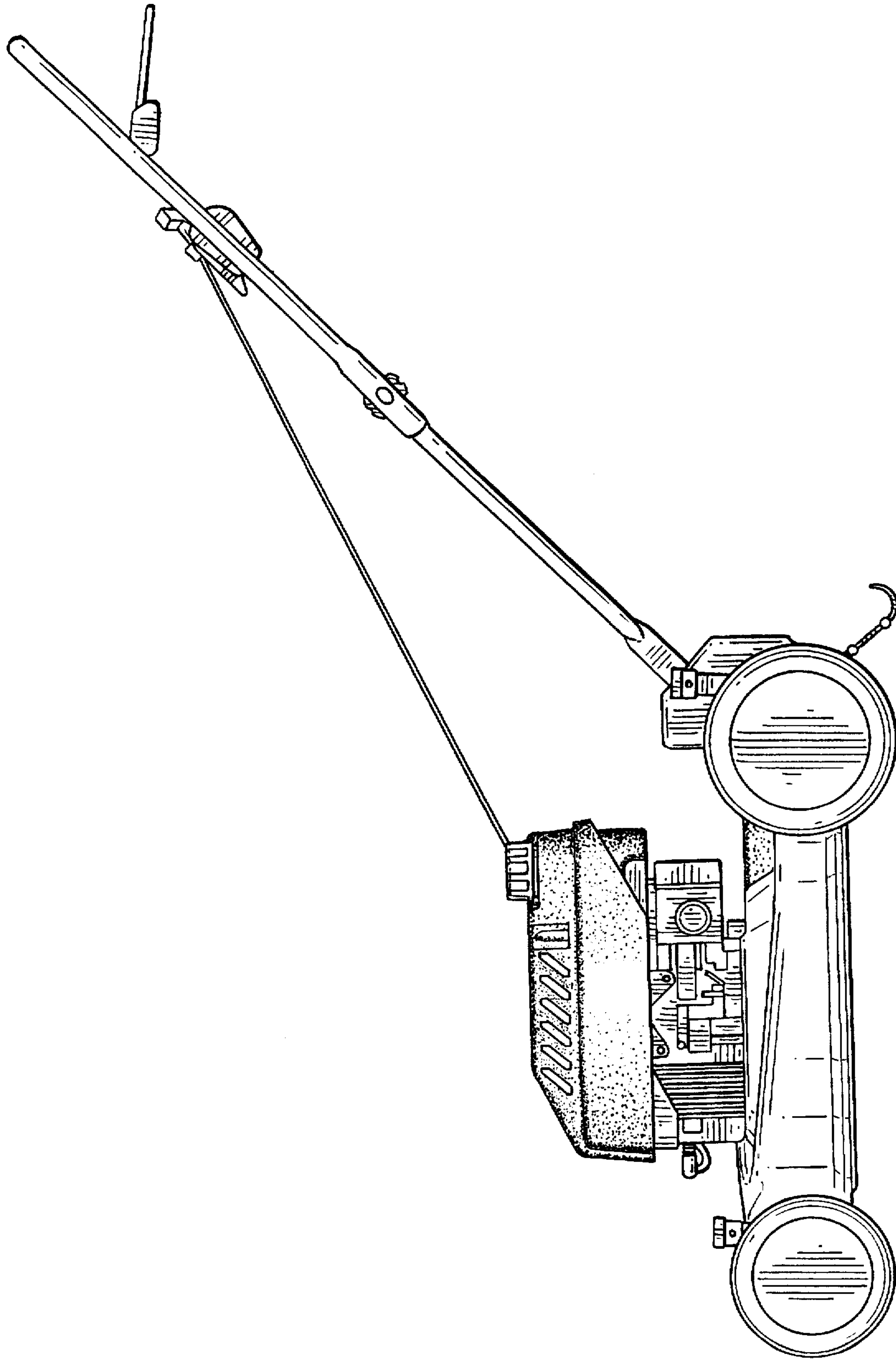


FIG. 5

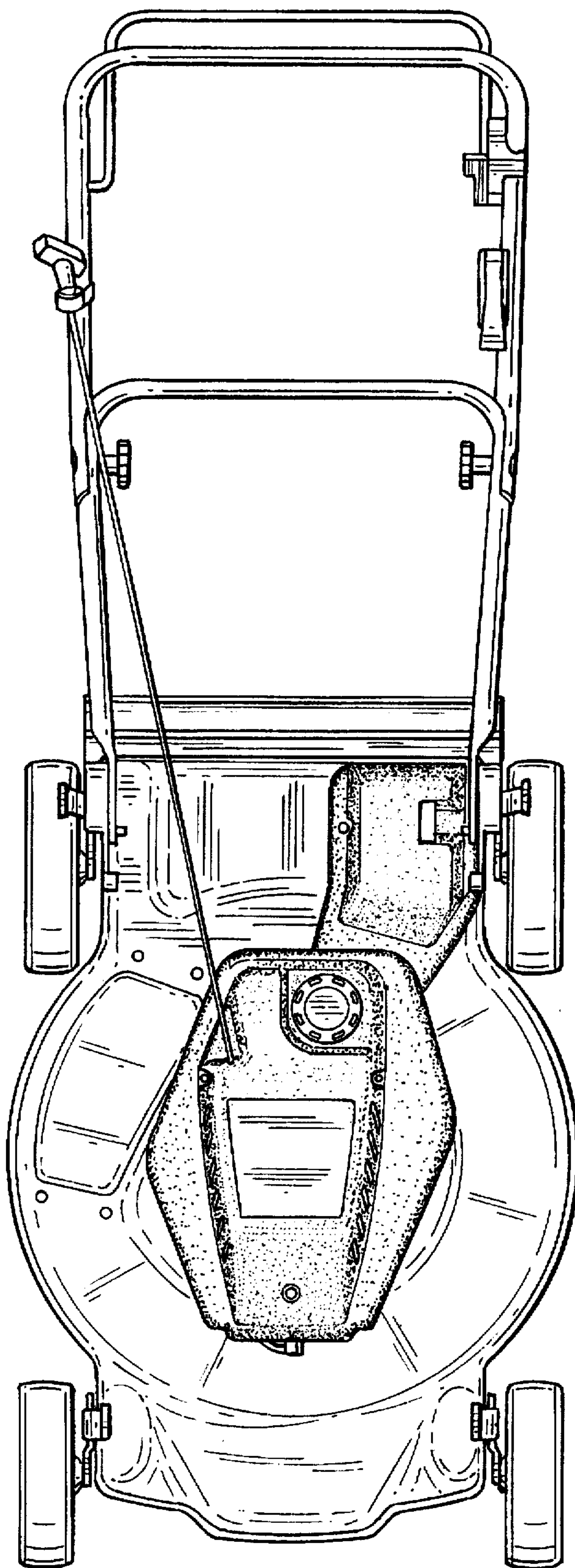
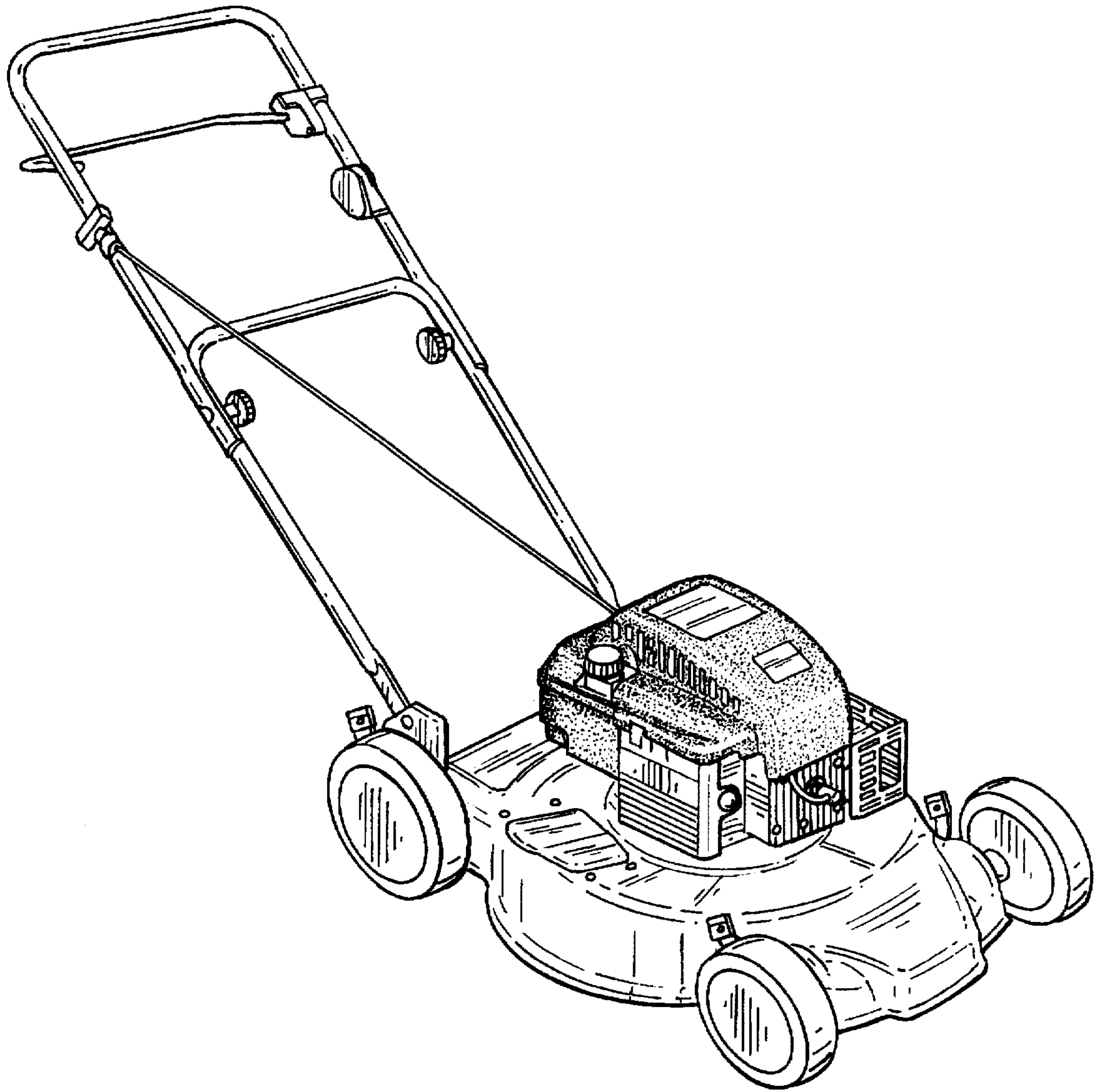


FIG. 6



*FIG. 7*



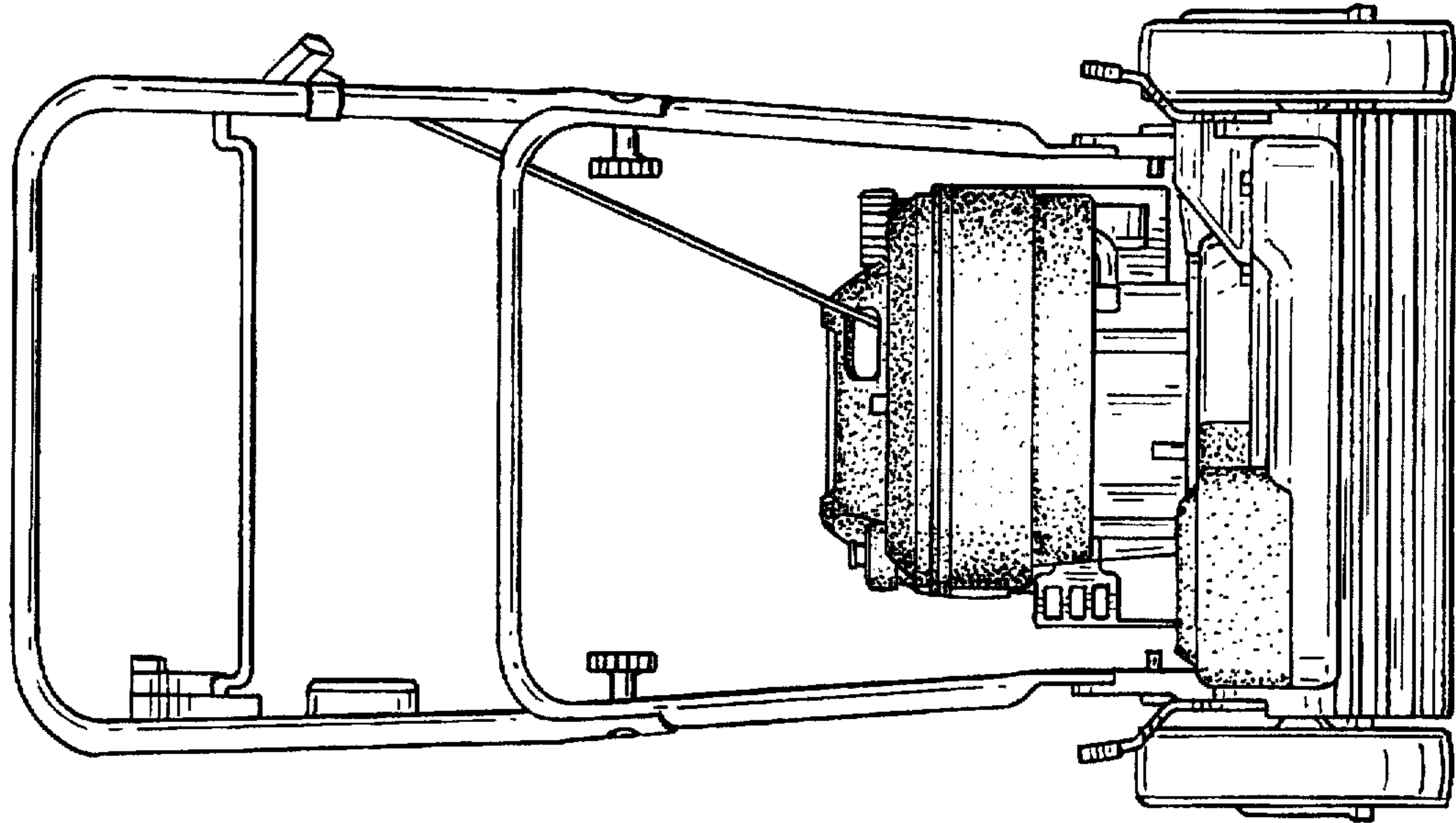


FIG. 9

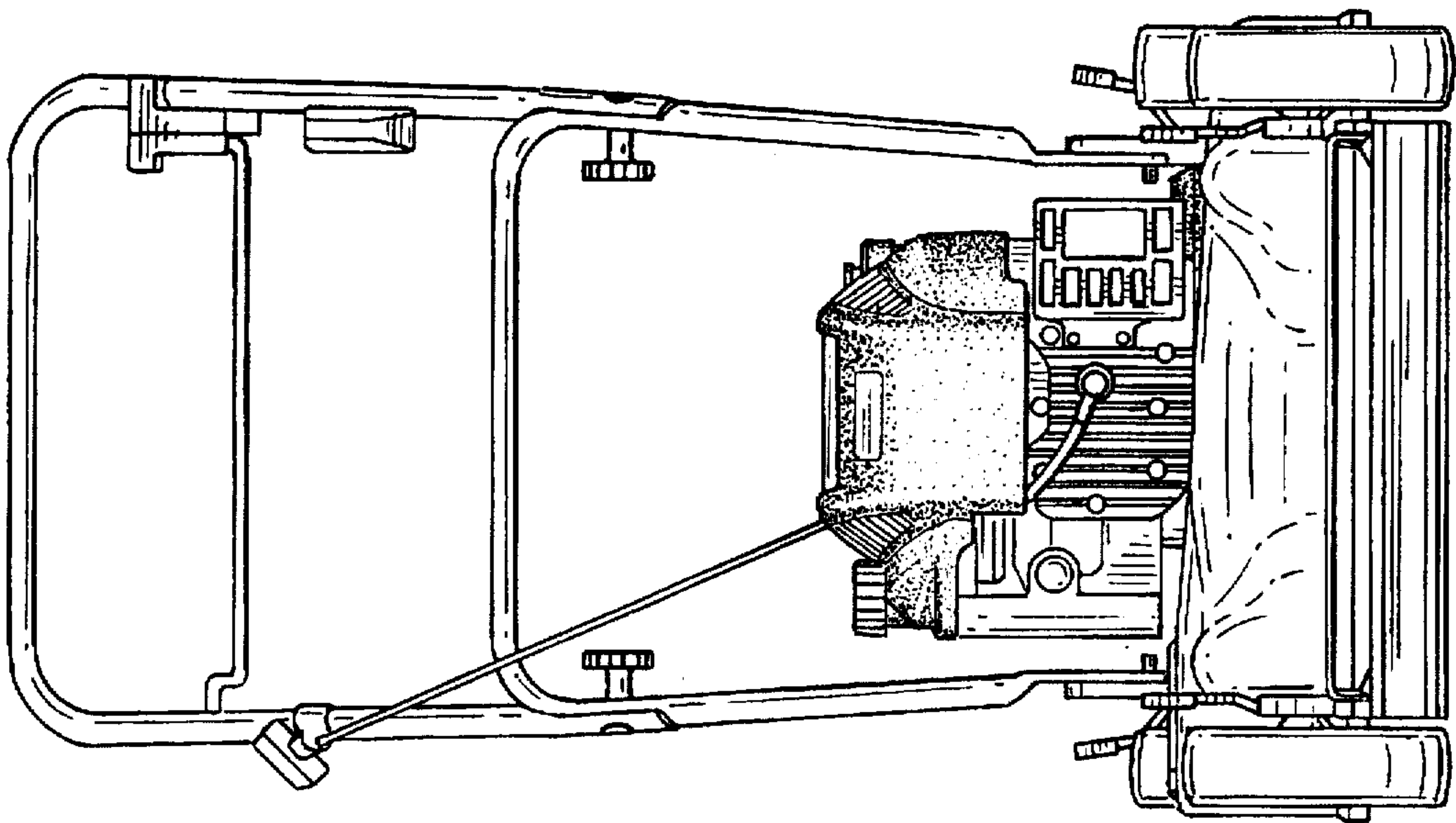


FIG. 8



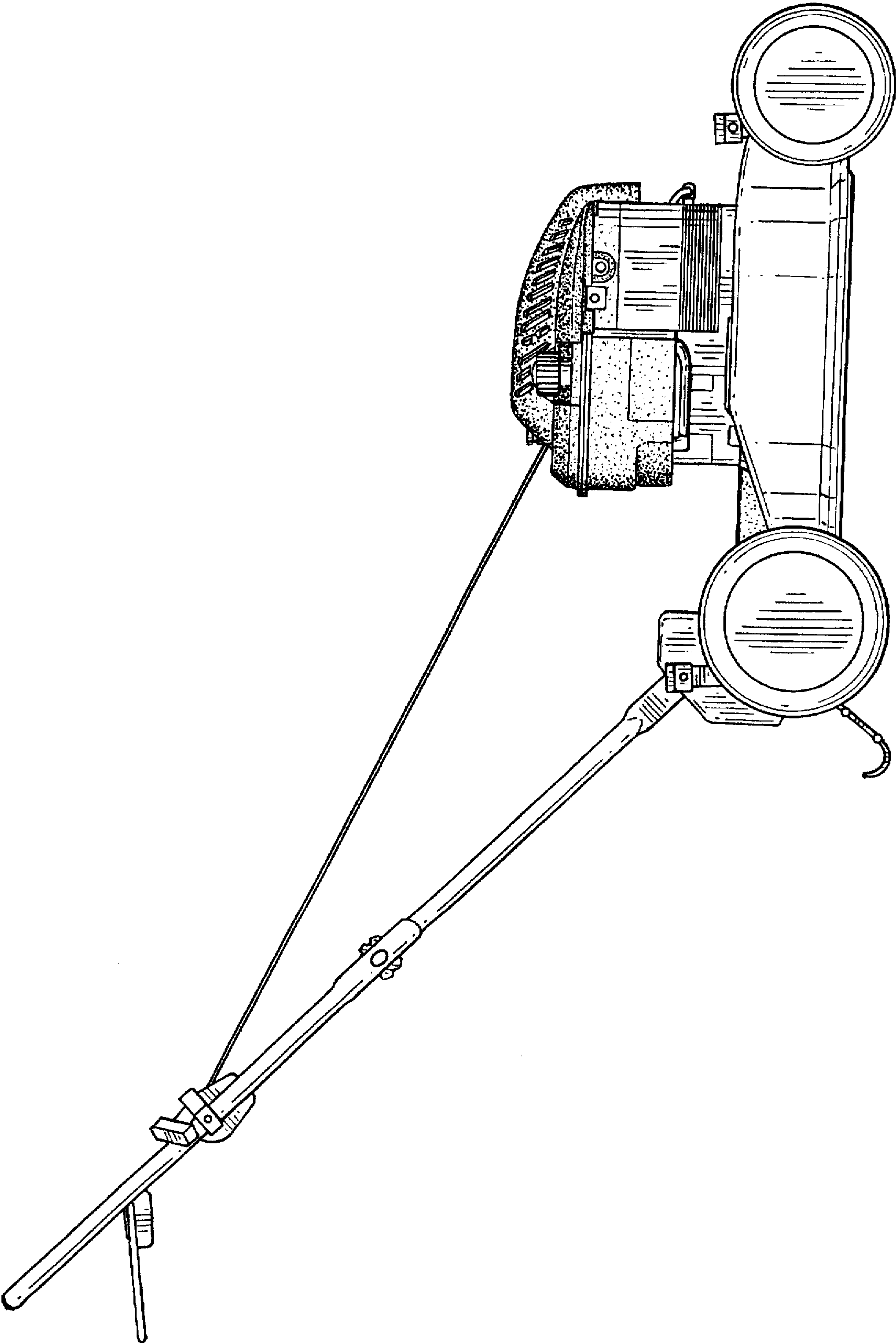


FIG. 10

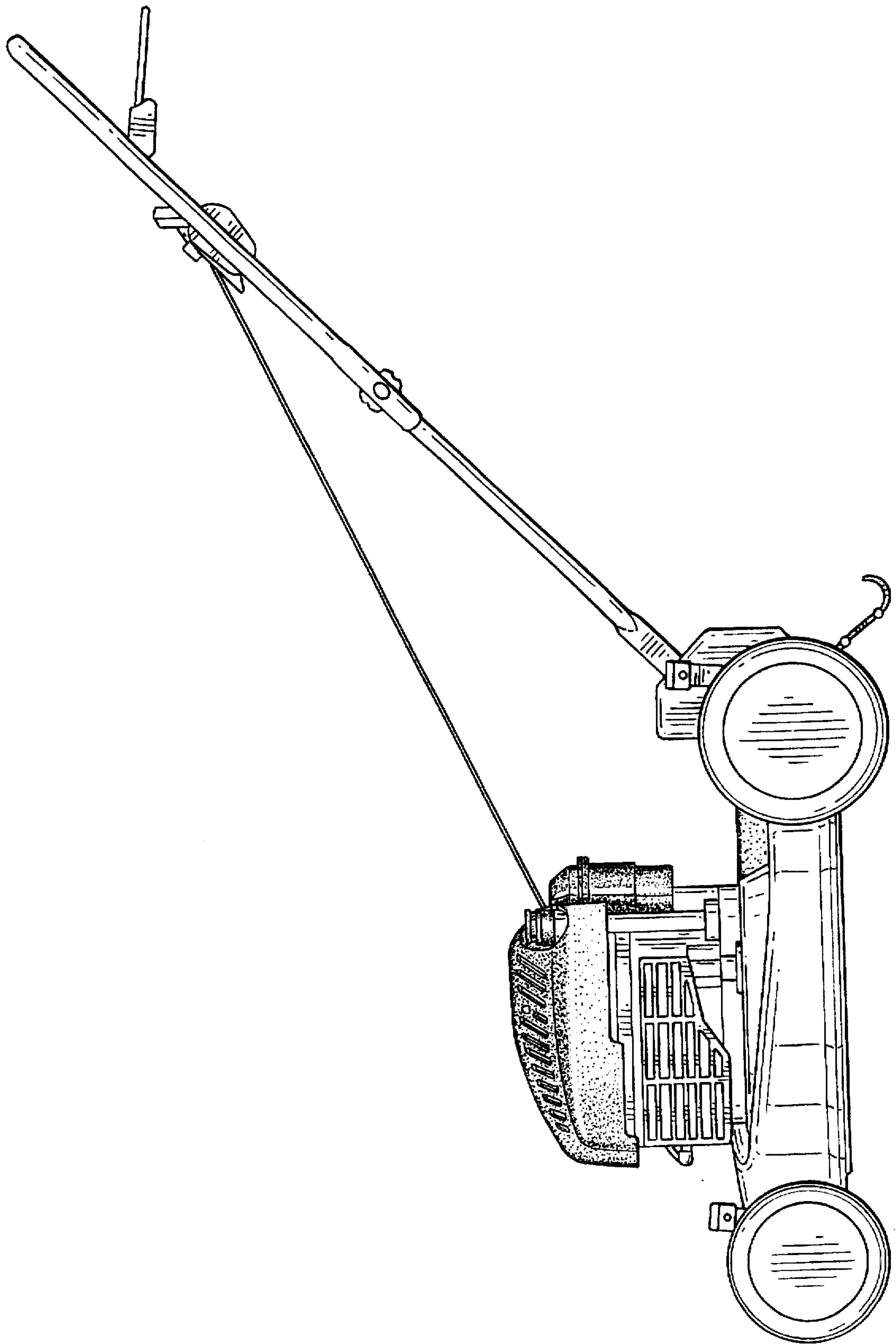


FIG. 11

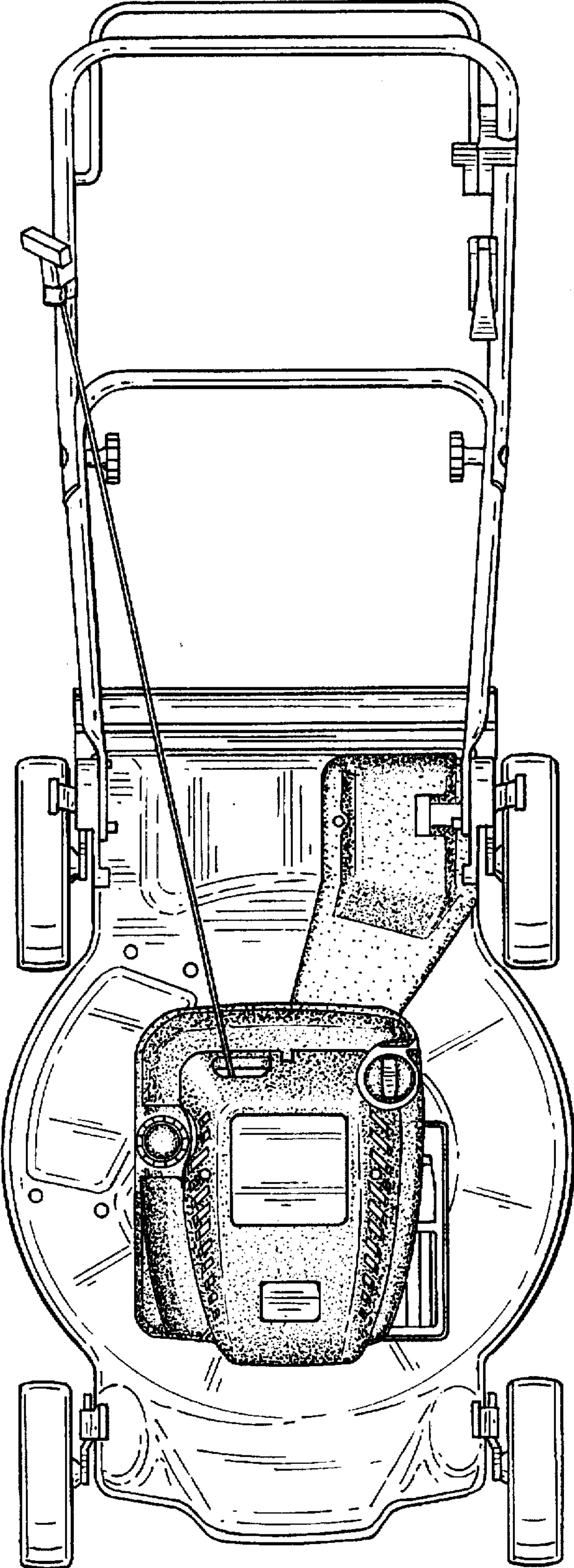


FIG. 12