

US00D384082S

United States Patent [19]

[11] Patent Number: **Des. 384,082**

Lucky, Sr.

[45] Date of Patent: ****Sep. 23, 1997**

[54] SNOW AND ICE REMOVAL DEVICE

[57] CLAIM

[76] Inventor: **Bobby D. Lucky, Sr.**, 103 Winchester Rd. NE., Huntsville., Ala. 35810

The ornamental design for a snow and ice removal device, as shown and described.

[**] Term: **14 Years**

DESCRIPTION

[21] Appl. No.: **47,339**

FIG. 1 is a right rear perspective view of a snow and ice removal device, showing my new design;

[22] Filed: **Dec. 1, 1995**

FIG. 2 is a right side elevational view thereof;

[51] LOC (6) Cl. **15-03**

FIG. 3 is a left side elevational view thereof;

[52] U.S. Cl. **D15/10**

FIG. 4 is a top plan view thereof;

[58] Field of Search D15/10-12; 37/196-199, 37/201; D12/1, 14, 95

FIG. 5 is a reduced right side elevational view thereof, shown in an alternate position, the broken line showing the railroad tracks is for illustrative purposes only, and forms no part of the claimed design;

[56] References Cited

U.S. PATENT DOCUMENTS

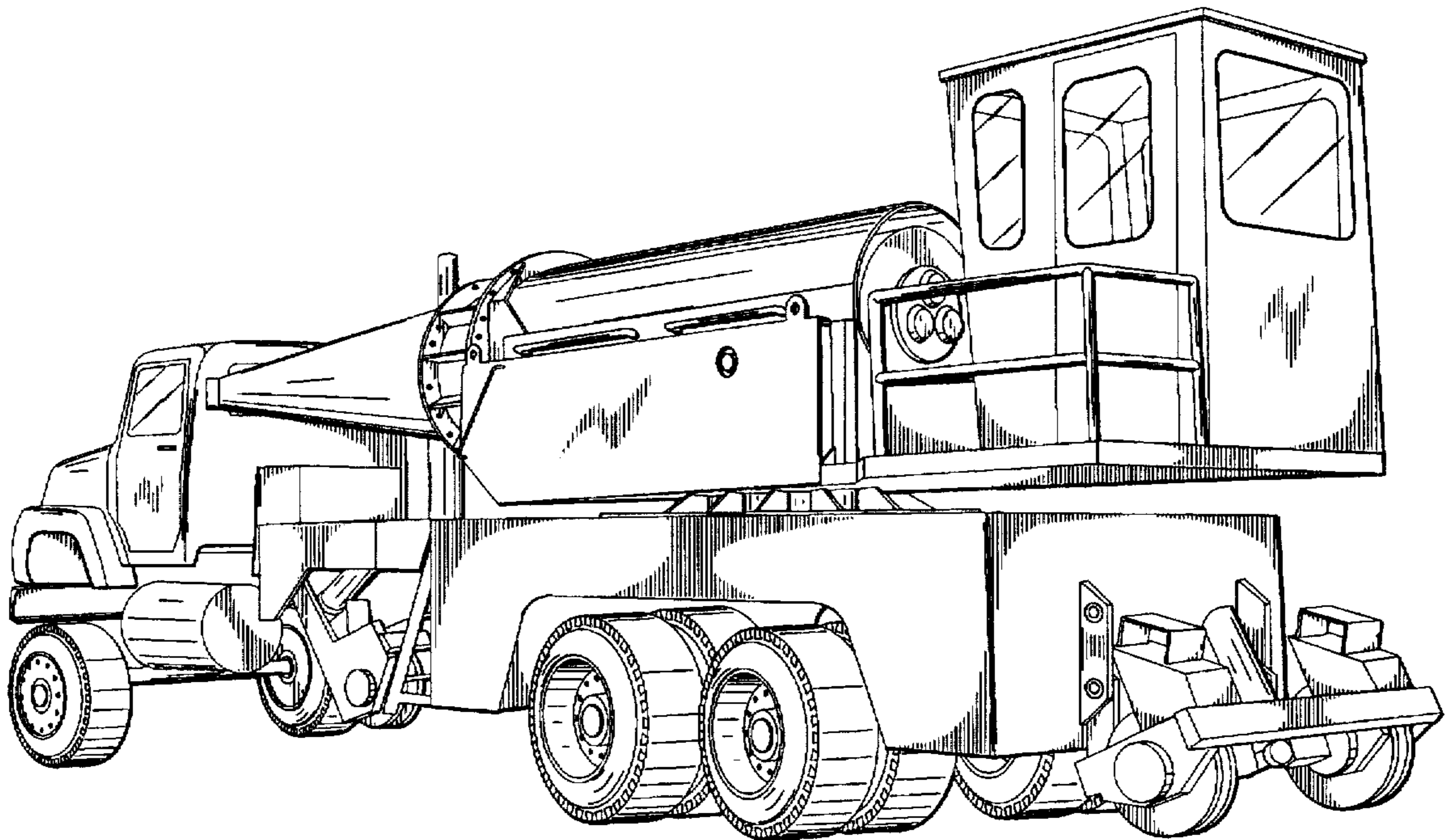
- D. 152,055 12/1948 Brasfield D12/95
- D. 253,174 10/1979 Mason D15/12
- 4,249,322 2/1981 McLaughlin 37/196

FIG. 6 is a reduced right side elevational view thereof, in position to remove the snow and ice; and,

FIG. 7 is a front elevational view thereof.

Primary Examiner—Sandra L. Morris
Attorney, Agent, or Firm—Frank M. Caprio

1 Claim, 5 Drawing Sheets



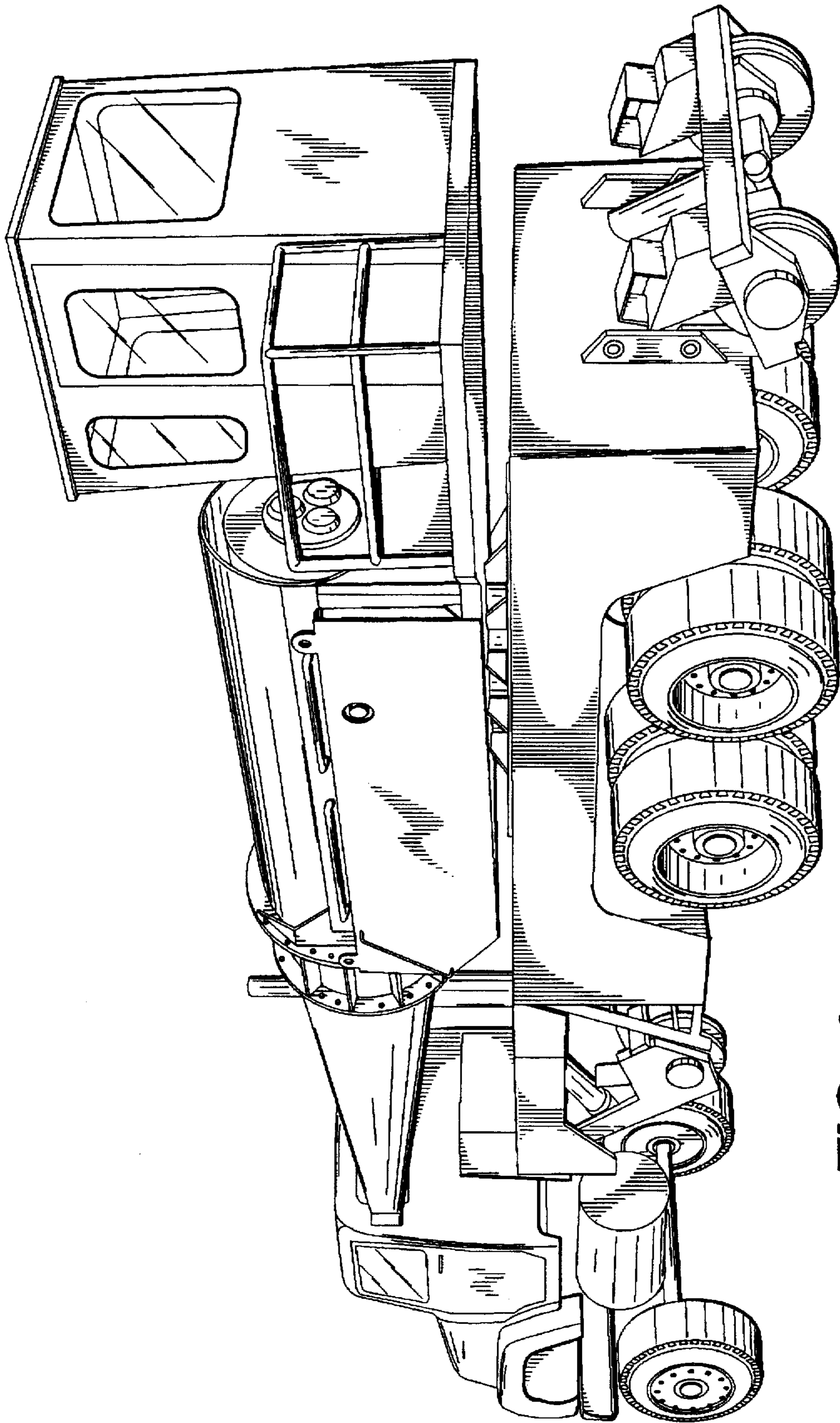


FIG. 1

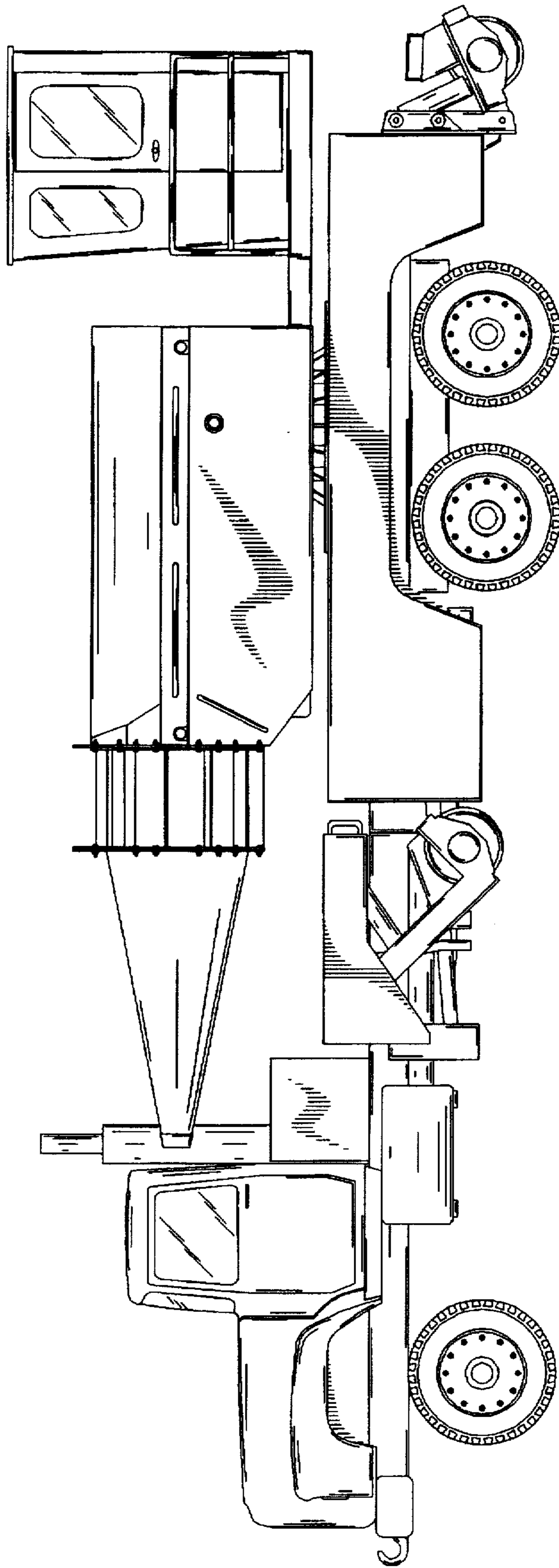


FIG. 2

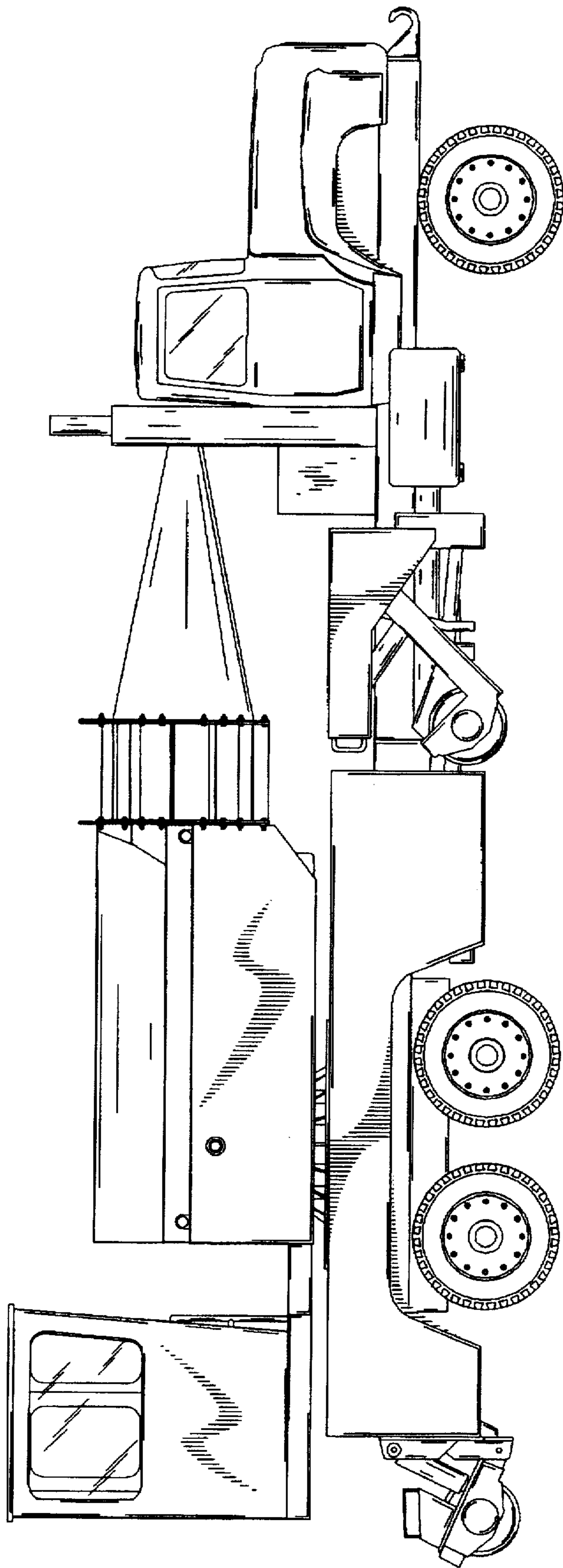


FIG. 3

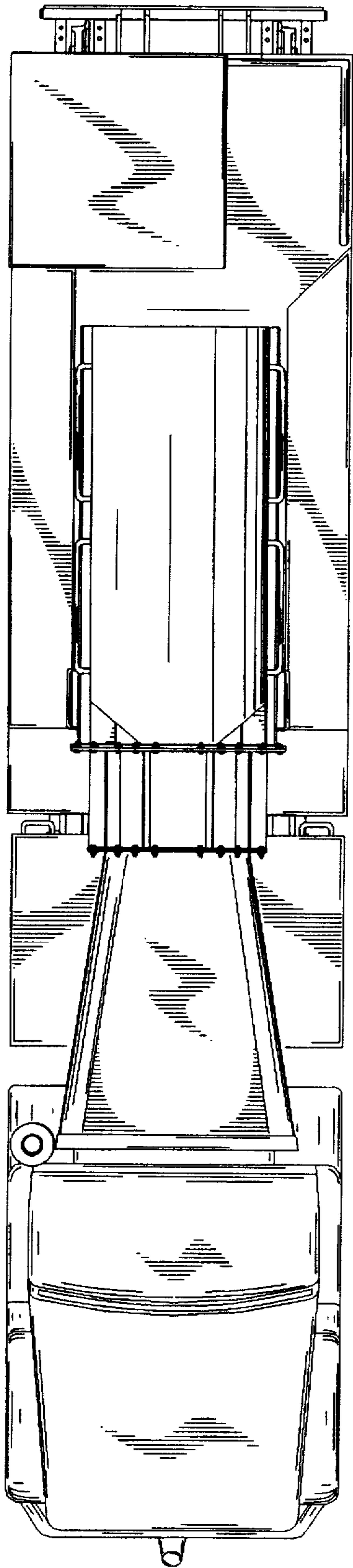


FIG. 4

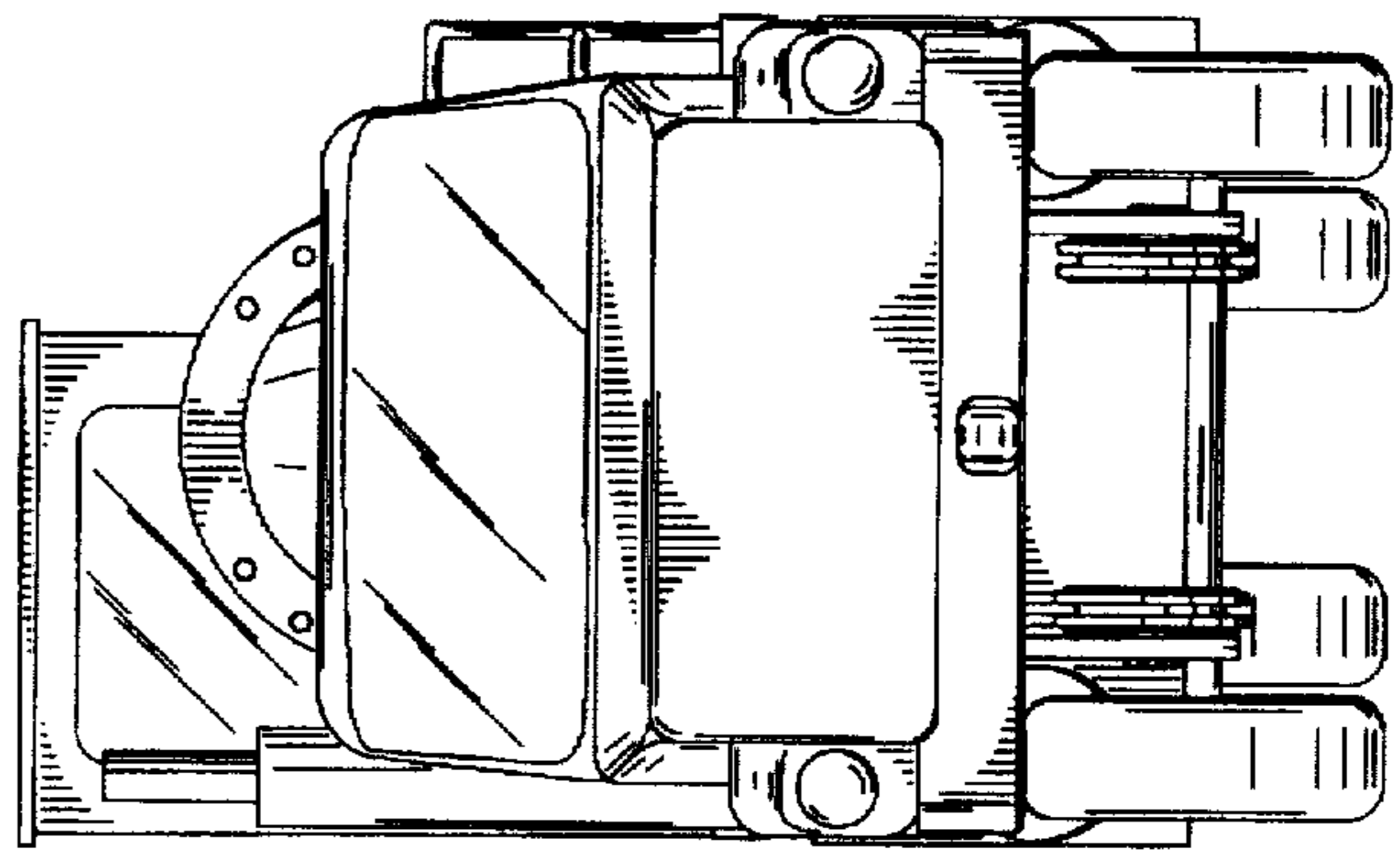


FIG. 7

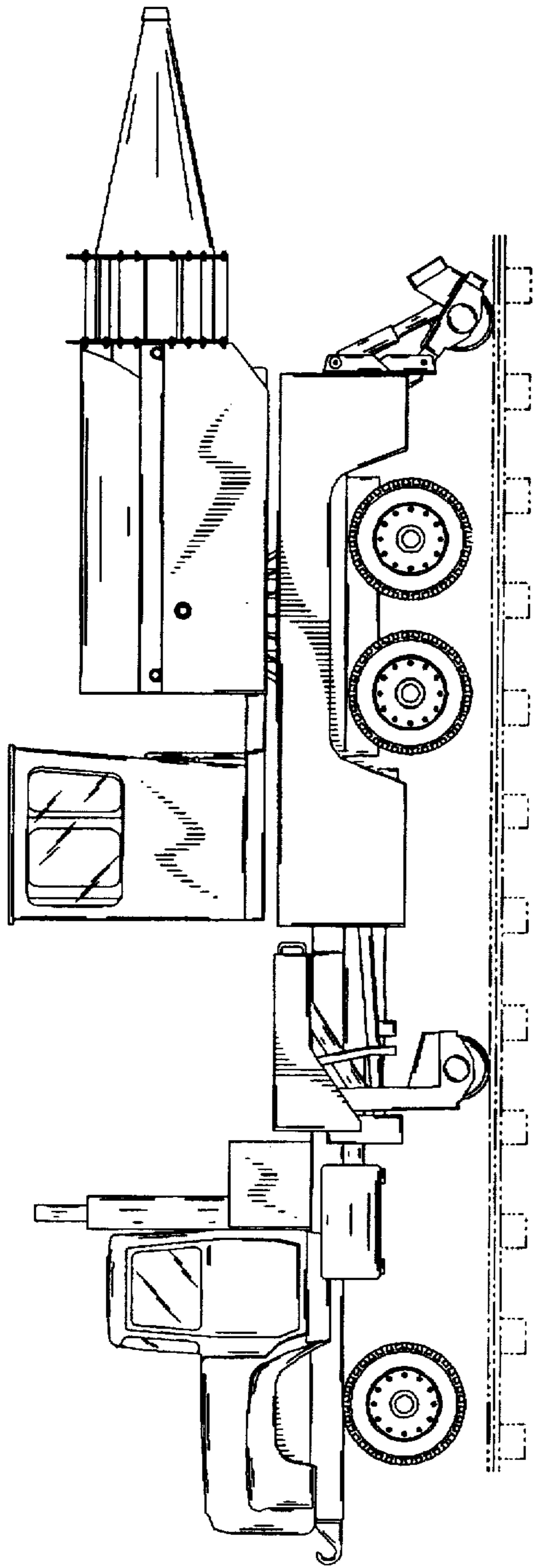


FIG. 5

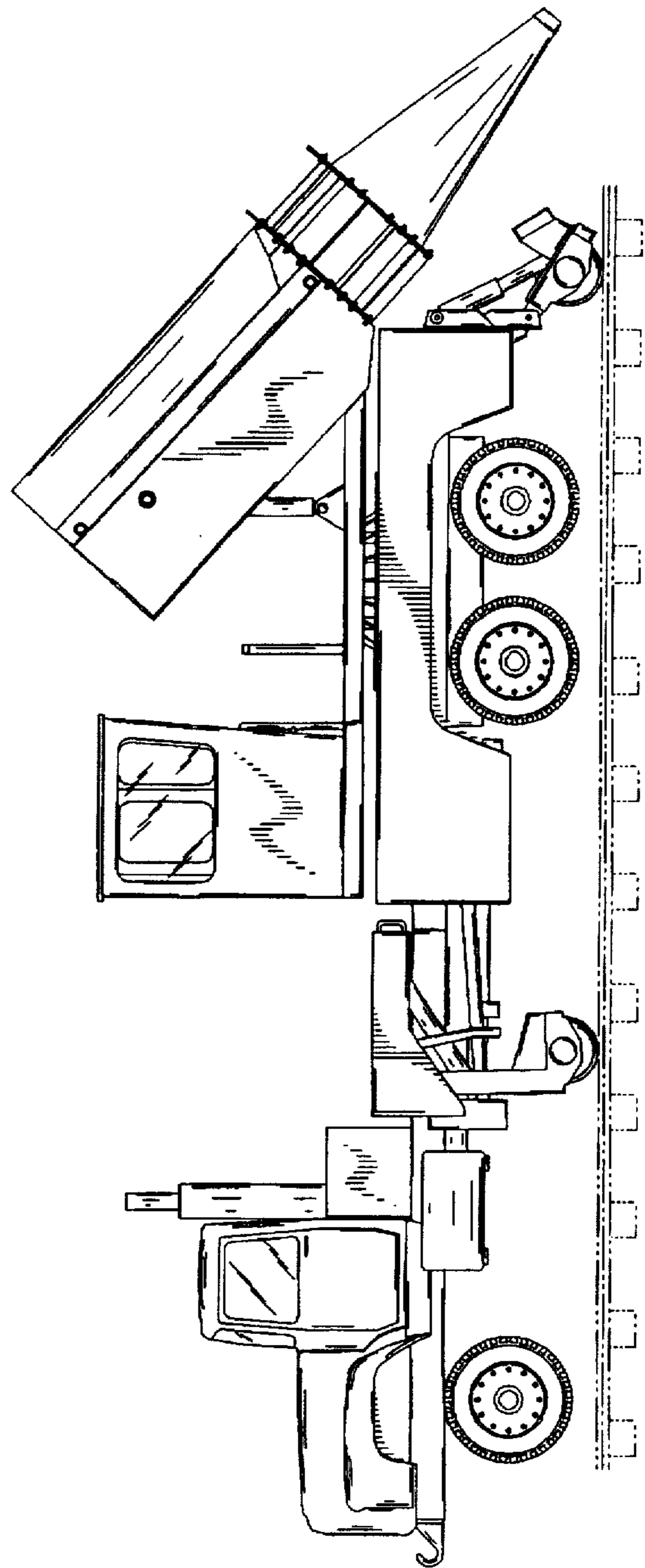


FIG. 6