



US00D384075S

# United States Patent [19]

Hsiao

[11] Patent Number: **Des. 384,075**

[45] Date of Patent: **\*\*Sep. 23, 1997**

[54] **SPEAKER**

3,028,927 4/1962 Levy et al. .... D14/208 X  
5,229,555 7/1993 Inoue et al. .... 181/199 X

[75] Inventor: **Efren Hsiao**, Chung Ho, Taiwan

[73] Assignee: **Sea Light Trading Co., Ltd.**, Taipei Hsien, Taiwan

[\*\*] Term: **14 Years**

*Primary Examiner*—Ted Shooman  
*Assistant Examiner*—Nanda Bondade  
*Attorney, Agent, or Firm*—Pro-Techtor International

[21] Appl. No.: **55,049**

[22] Filed: **May 30, 1996**

[57] **CLAIM**

The ornamental design for a "speaker", as shown and described.

[51] **LOC (6) Cl.** ..... **14-01**

[52] **U.S. Cl.** ..... **D14/204**

[58] **Field of Search** ..... D14/204, 207-216,  
D14/219-222; 181/144-145, 148, 150,  
152, 153, 157, 159; 381/24, 88, 90, 156,  
203, 205

**DESCRIPTION**

FIG. 1 is a perspective view of a speaker of my new design; FIG. 2 is a front view thereof; FIG. 3 is a back view thereof; FIG. 4 is a left side view thereof; FIG. 5 is a right side view thereof; FIG. 6 is a top plan view thereof; FIG. 7 is a bottom plan view thereof; and, FIG. 8 is an of exploded thereof, showing the internal components for clarity of illustration.

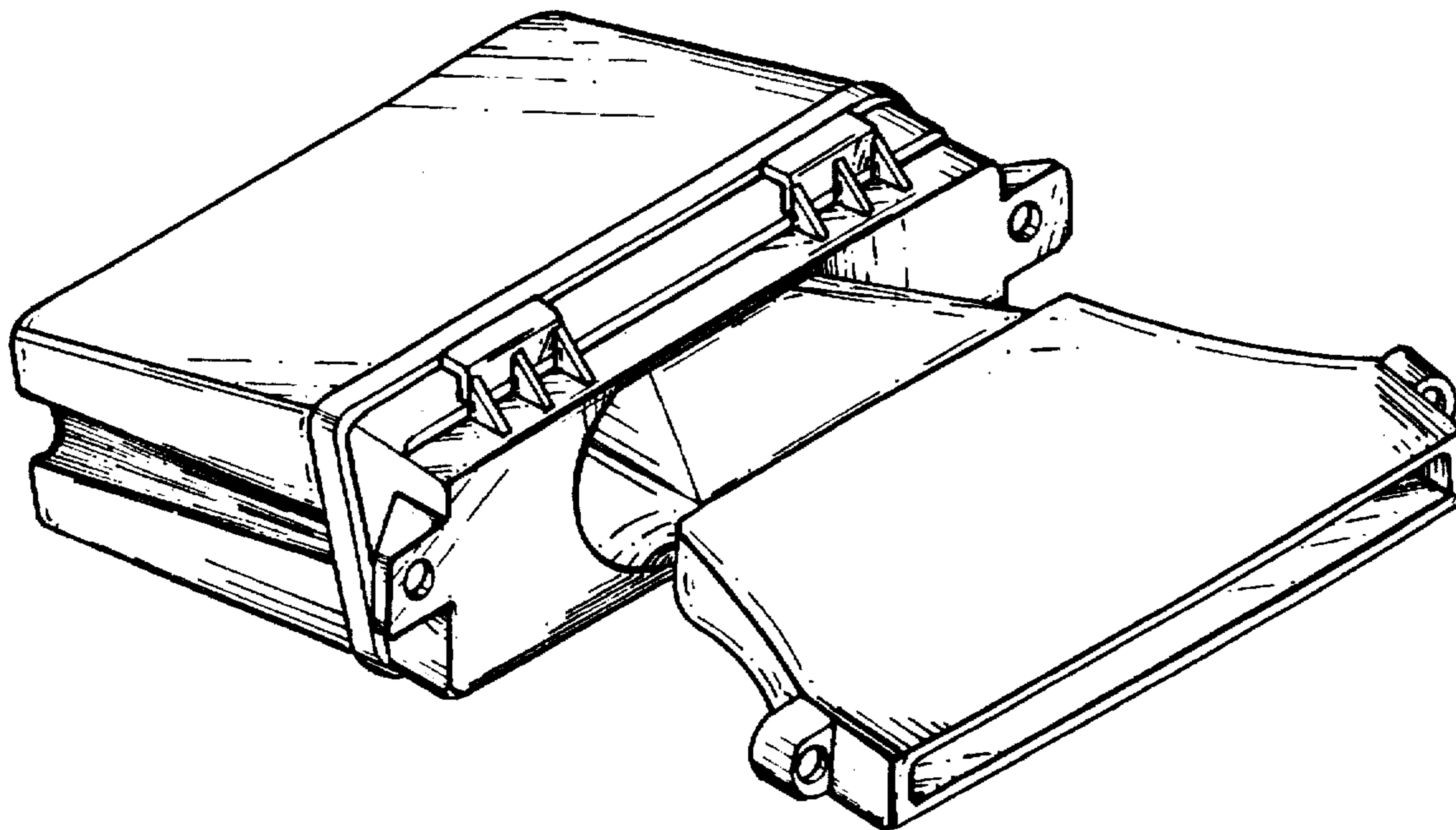
The undisclosed views of the exploded components form no part of the claimed design.

[56] **References Cited**

**U.S. PATENT DOCUMENTS**

D. 249,941 10/1978 Bermseth ..... D14/204  
D. 354,058 1/1995 Bohannan et al. .... D14/204

**1 Claim, 6 Drawing Sheets**



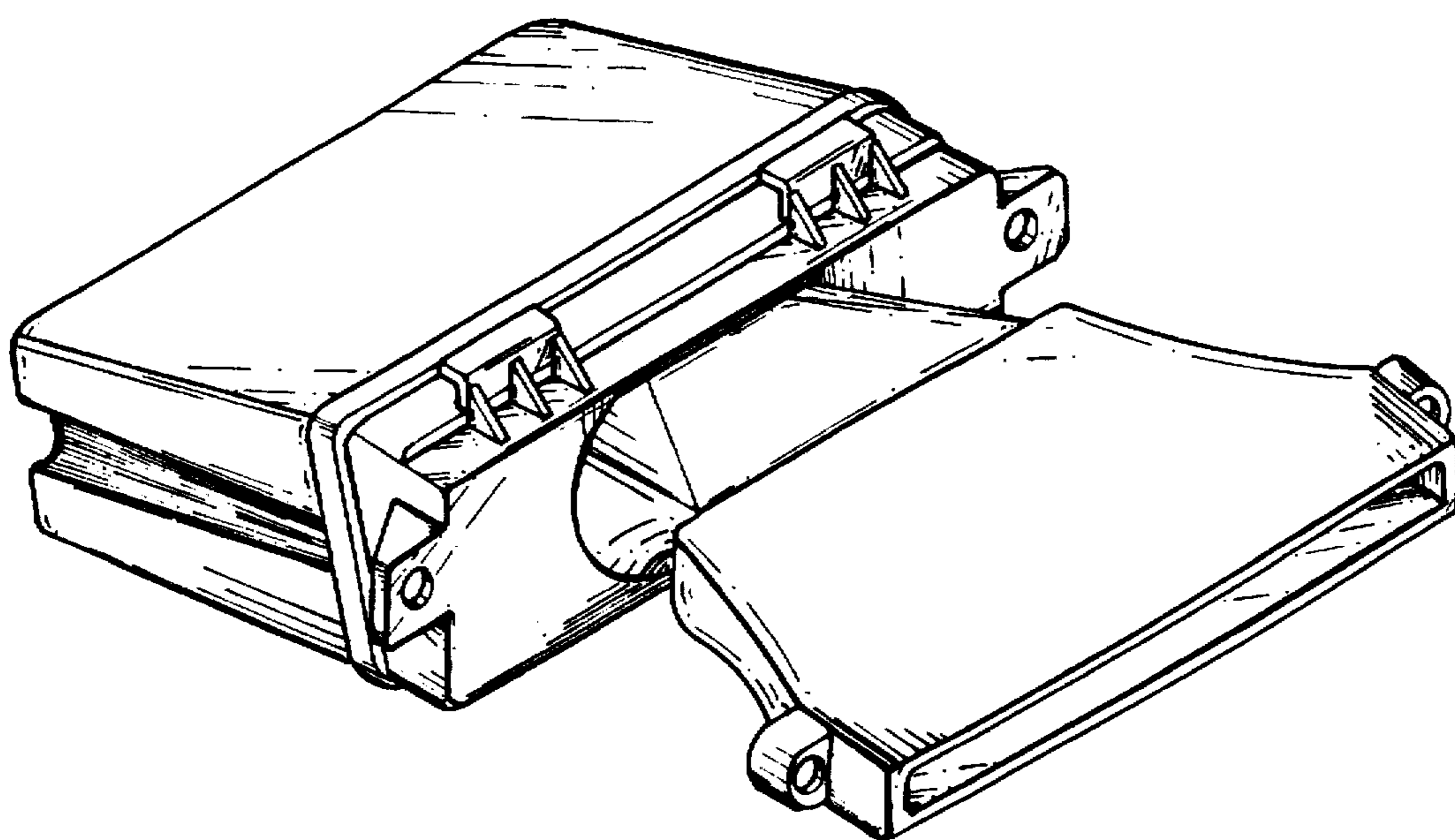


FIG. 1

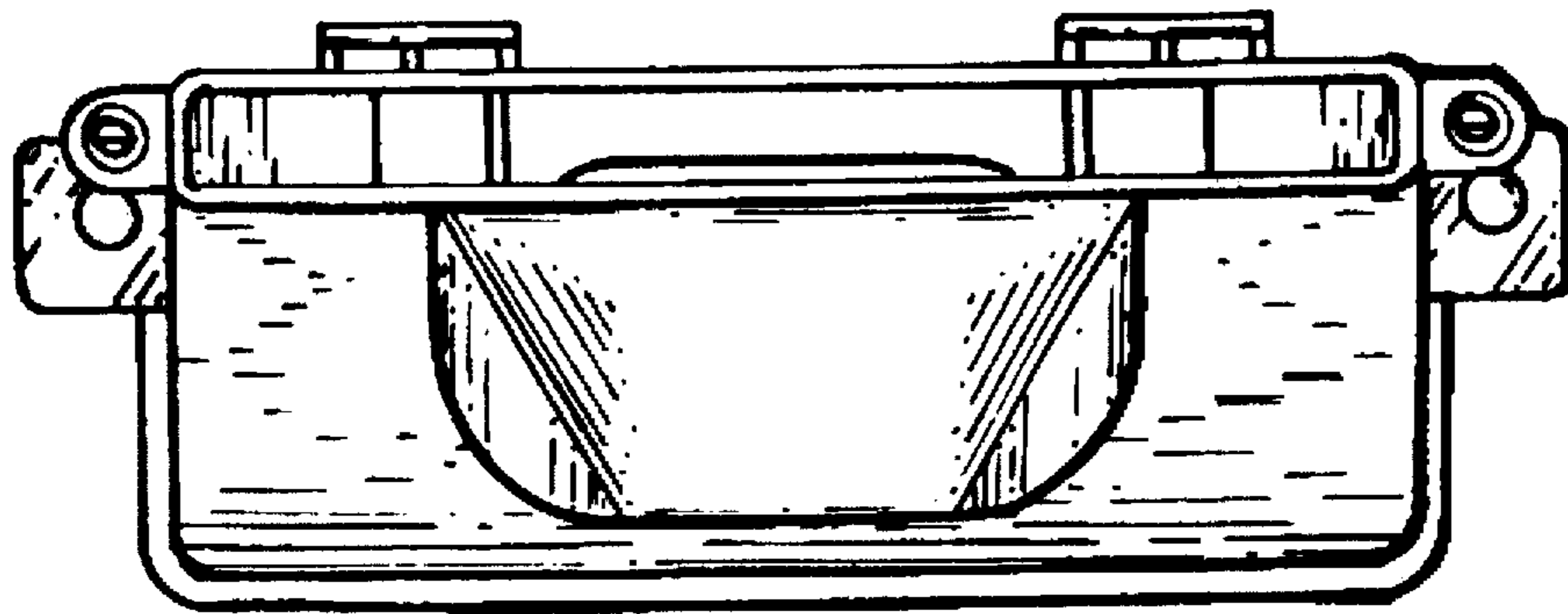


FIG. 2

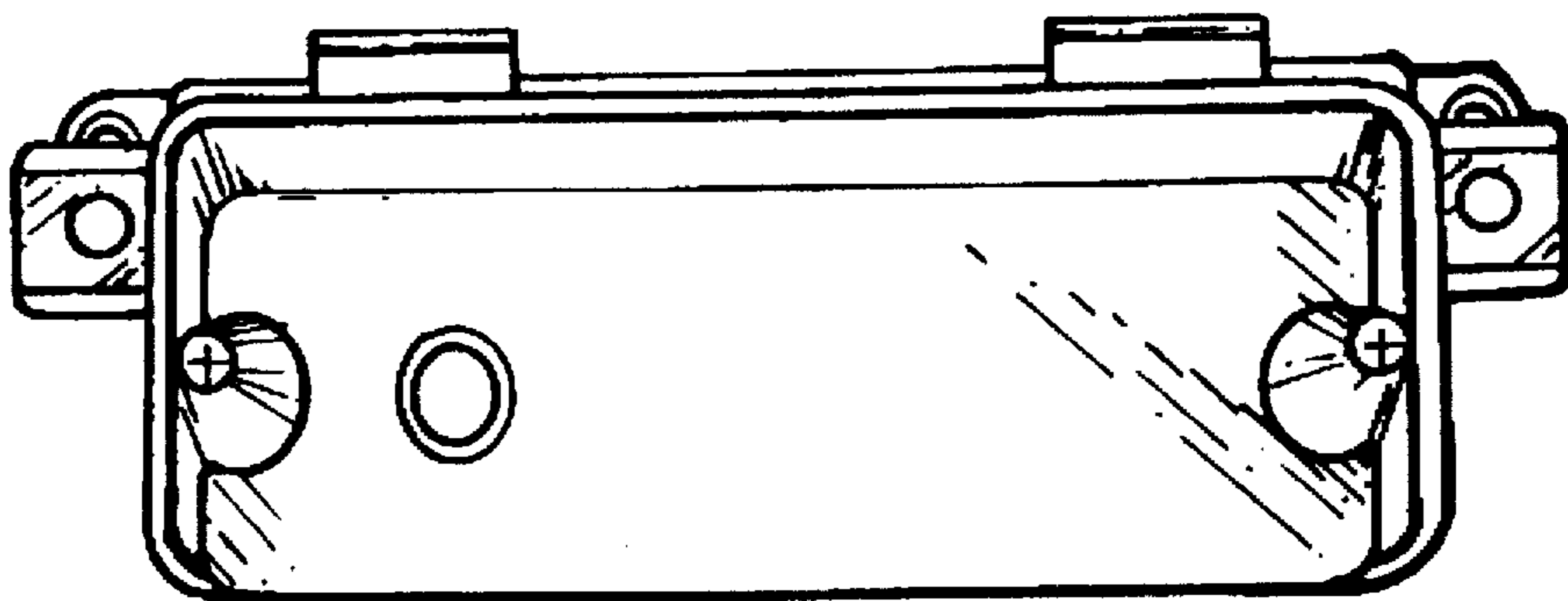


FIG. 3

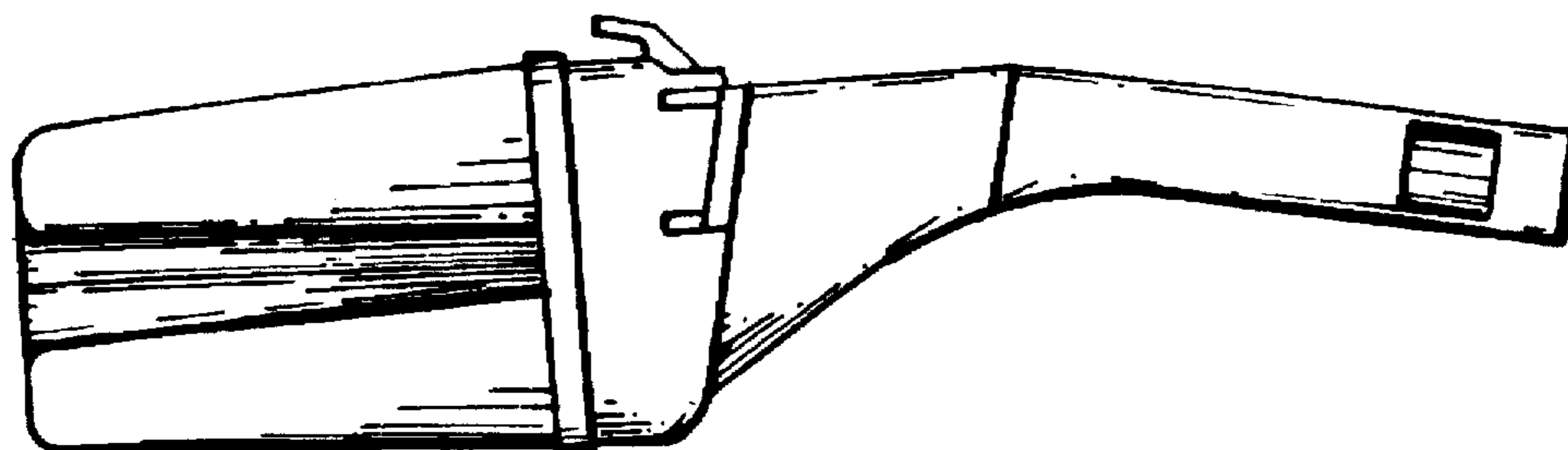


FIG. 4

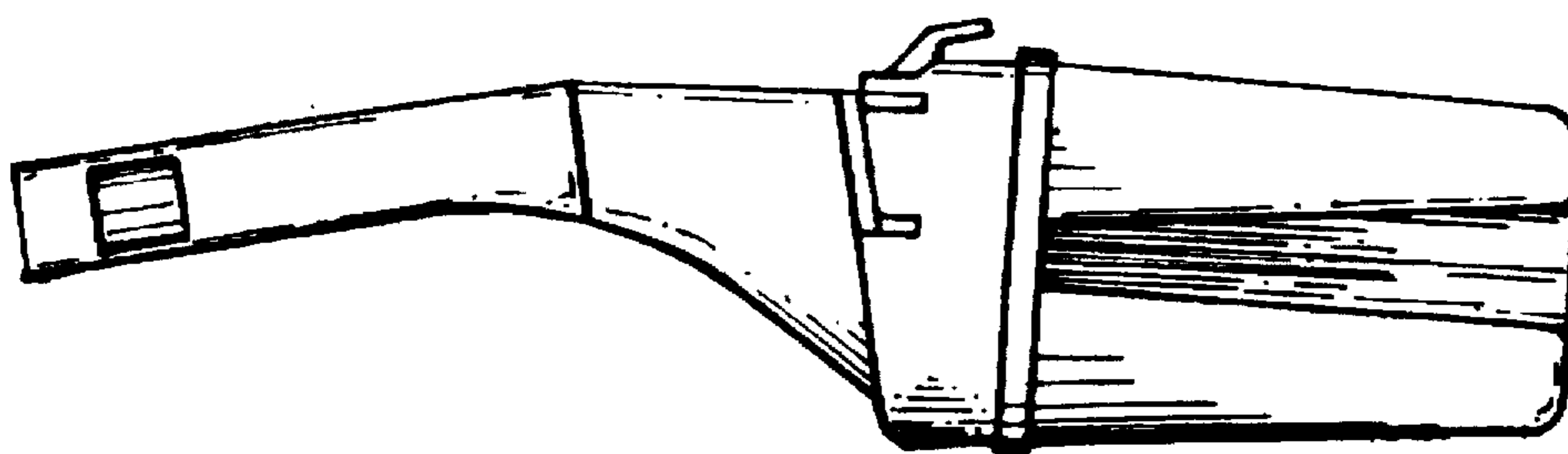


FIG. 5

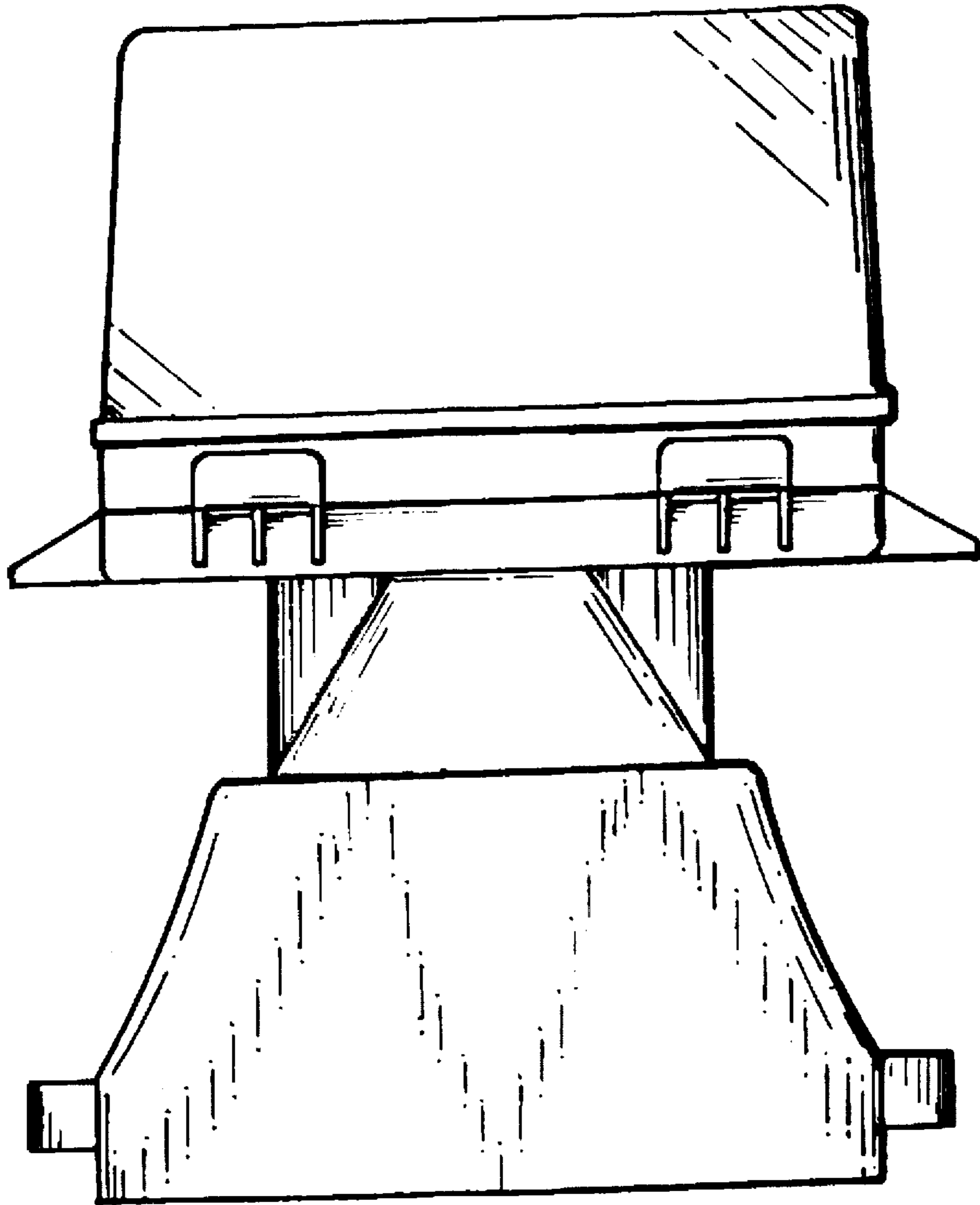


FIG. 6

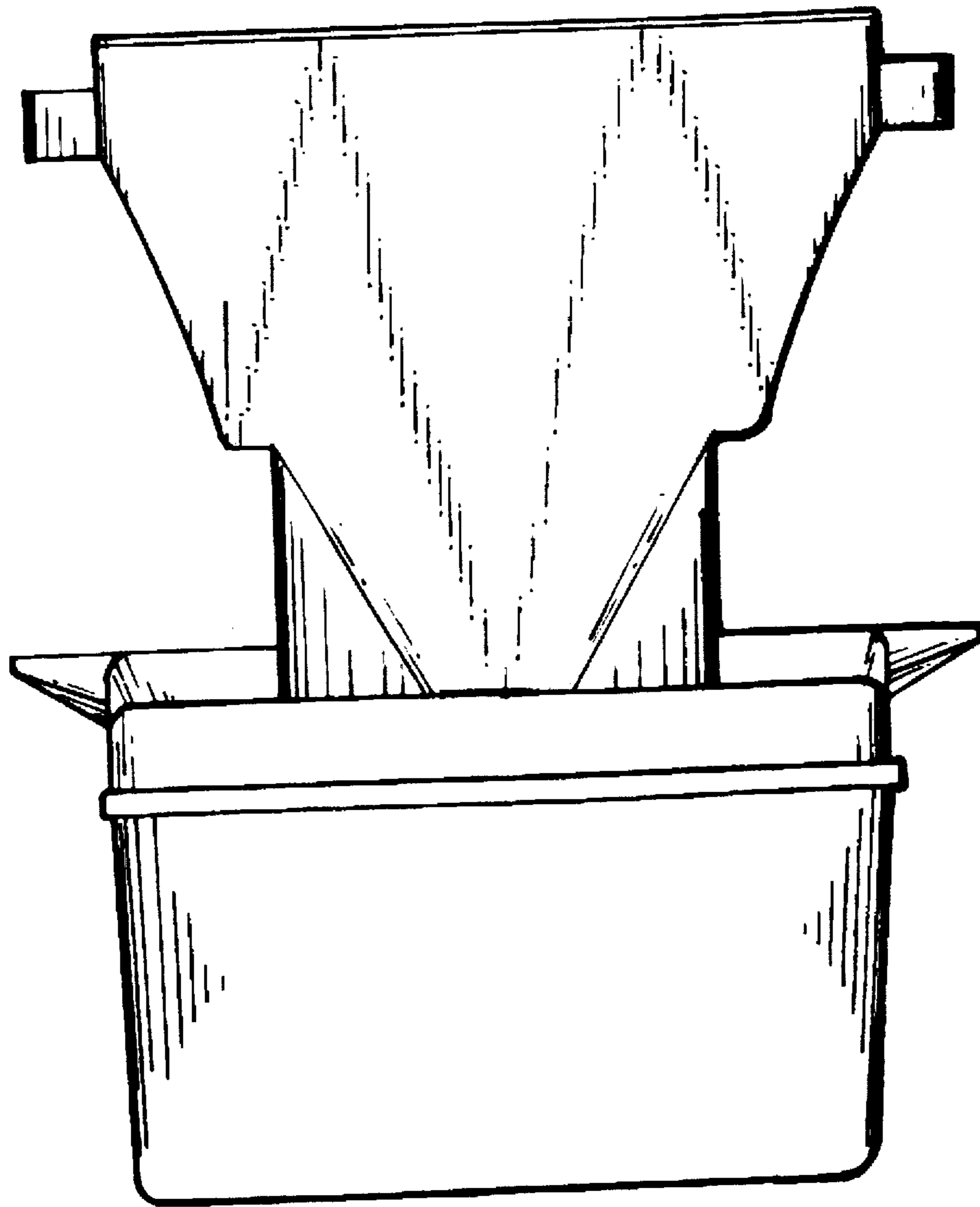


FIG. 7

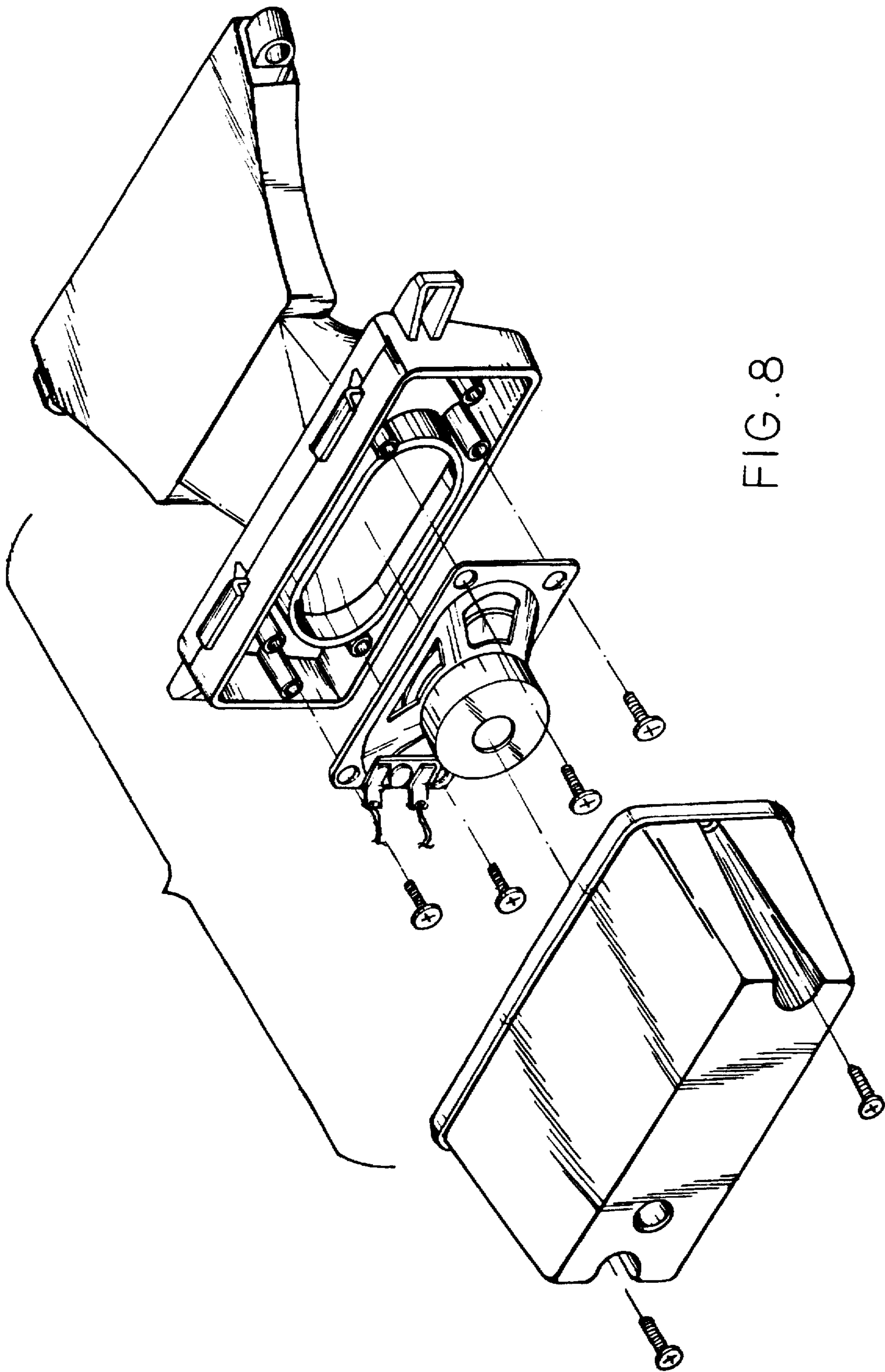


FIG. 8