

US00D384055S

# United States Patent [19]

[11] Patent Number: **Des. 384,055**

Luo

[45] Date of Patent: **\*\*Sep. 23, 1997**

[54] **REMOTE CONTROLLED DIGITAL MUSIC CARTRIDGE**

[75] Inventor: **Chin-Kuang Luo**, Taichung, Taiwan

[73] Assignee: **Sycom International Corp.**, Taichung, Taiwan

[\*\*] Term: **14 Years**

[21] Appl. No.: **56,168**

[22] Filed: **Sep. 25, 1996**

[51] LOC (6) Cl. .... **14-99**

[52] U.S. Cl. .... **D14/121**

[58] Field of Search ..... D14/120-123, D14/299, 100, 160-164; 242/348, 348.4, 341; 360/132, 133

[56] **References Cited**

**U.S. PATENT DOCUMENTS**

D. 311,736	10/1990	Perelli	.....	D14/121
D. 349,895	8/1994	Gramuglia	.....	D14/121
D. 369,764	5/1996	Matsuki	.....	D14/121
4,566,653	1/1986	Bettinger et al.	.....	D14/121 X
4,604,671	8/1986	Oishi	.....	D14/121 X
5,438,189	8/1995	Von Heck	.....	D14/121 X

**OTHER PUBLICATIONS**

Hong Kong Enterprise, Oct. 1992, p. 359.

*Primary Examiner*—Prabhakar G. Deshmukh  
*Attorney, Agent, or Firm*—Cushman Darby & Cushman IP Group of Pillsbury Madison & Sutro LLP

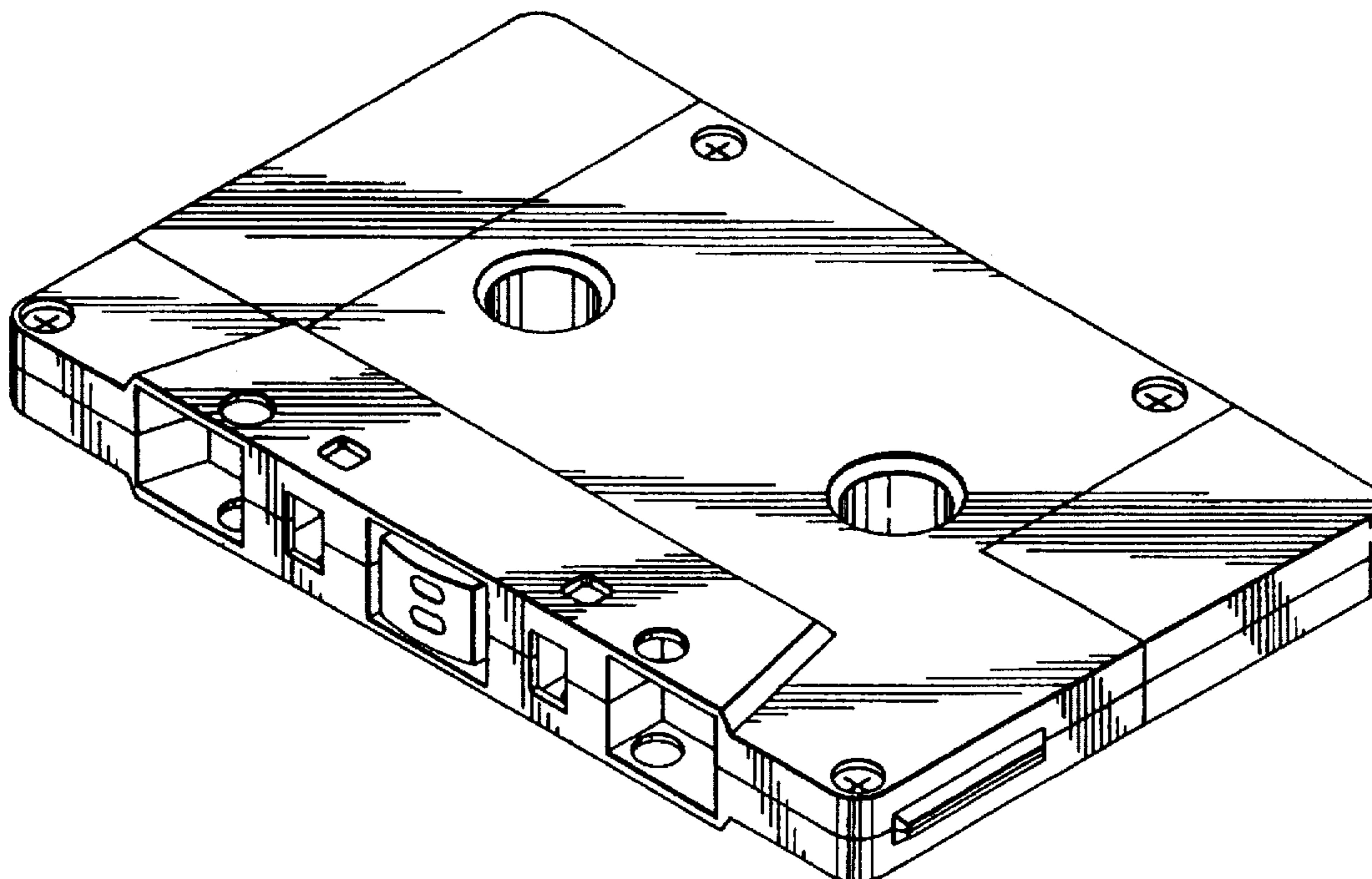
[57] **CLAIM**

The ornamental design for remote controlled digital music cartridge, as shown and described.

**DESCRIPTION**

FIG. 1 is a perspective view of remote controlled digital music cartridge showing my new design;  
FIG. 2 is a front elevational view thereof;  
FIG. 3 is a rear elevational view thereof;  
FIG. 4 is a left side elevational view thereof;  
FIG. 5 is a right side elevational view thereof;  
FIG. 6 is a top plan view thereof;  
FIG. 7 is a bottom plan view thereof; and,  
FIG. 8 is an exploded perspective view; shown in it's environmental use.

**1 Claim, 5 Drawing Sheets**



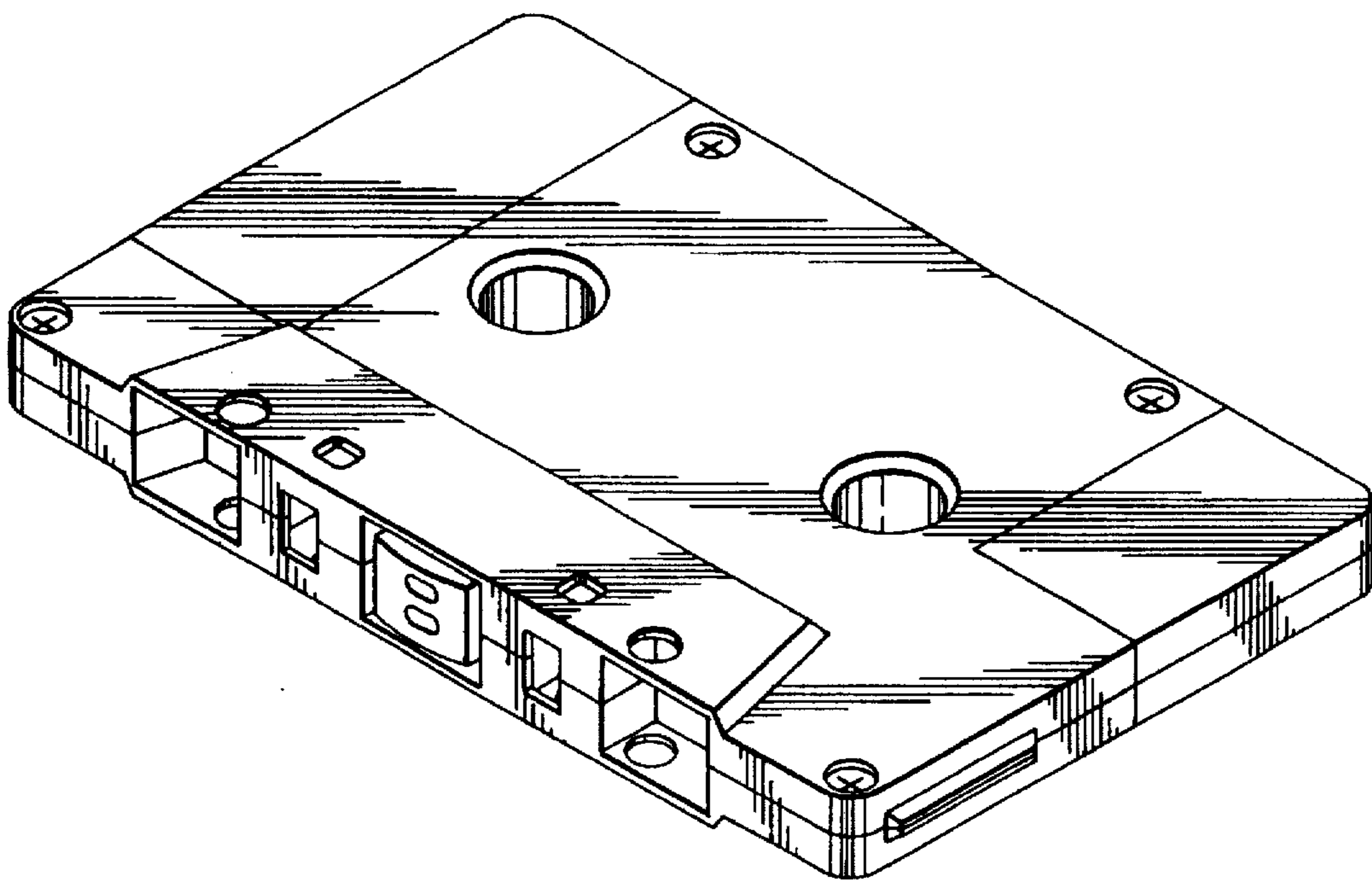


FIG. 1

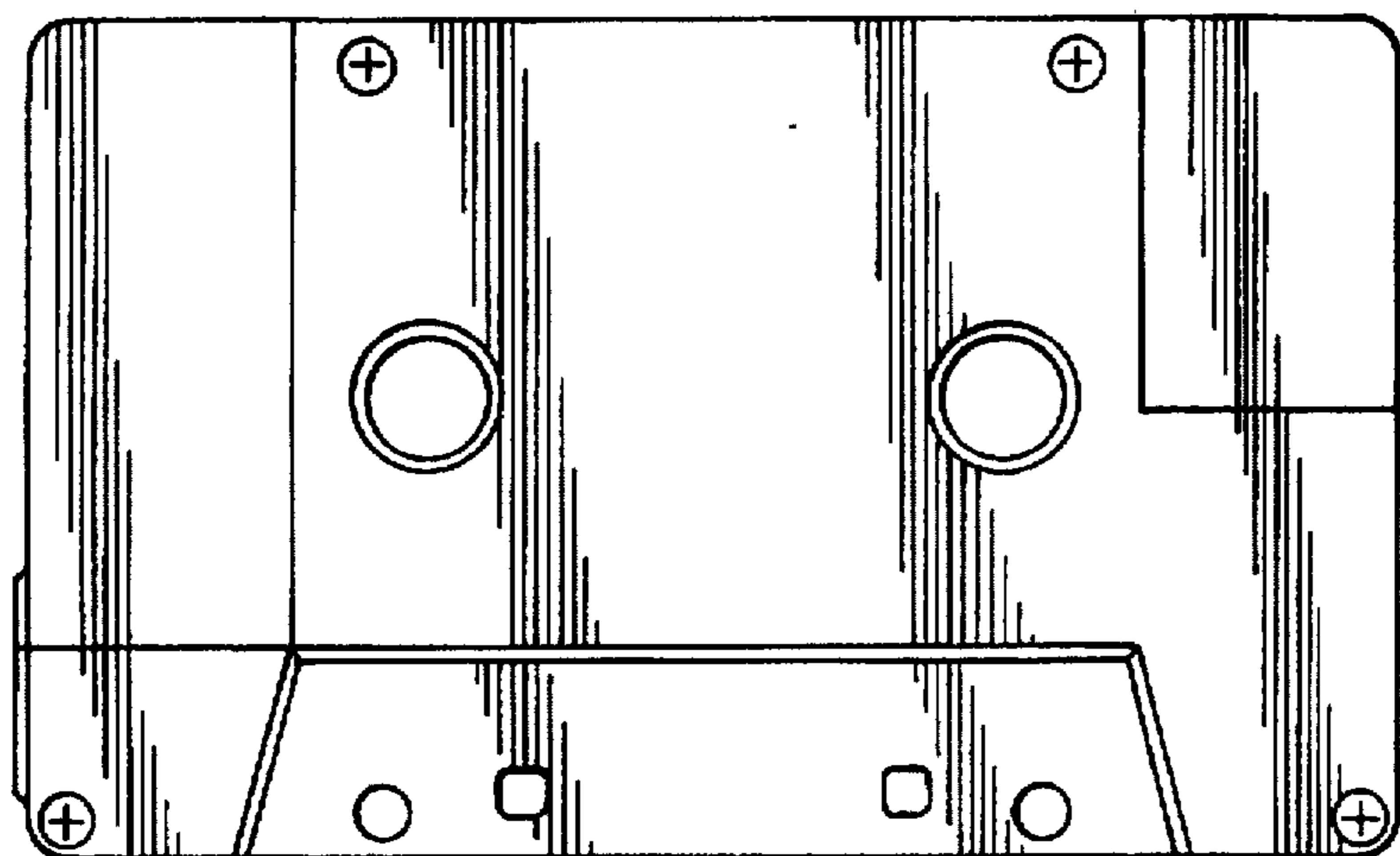


FIG. 2

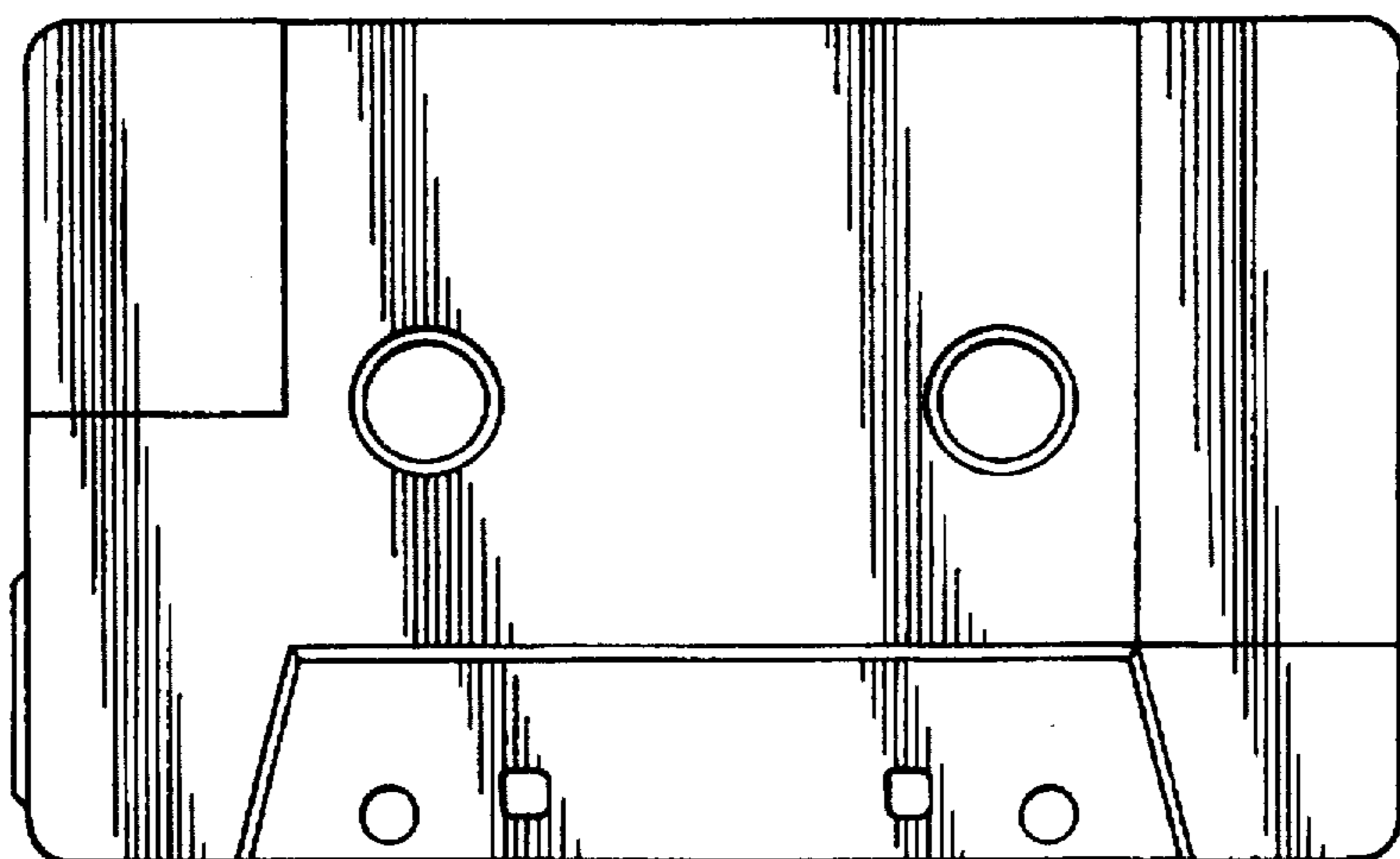


FIG. 3

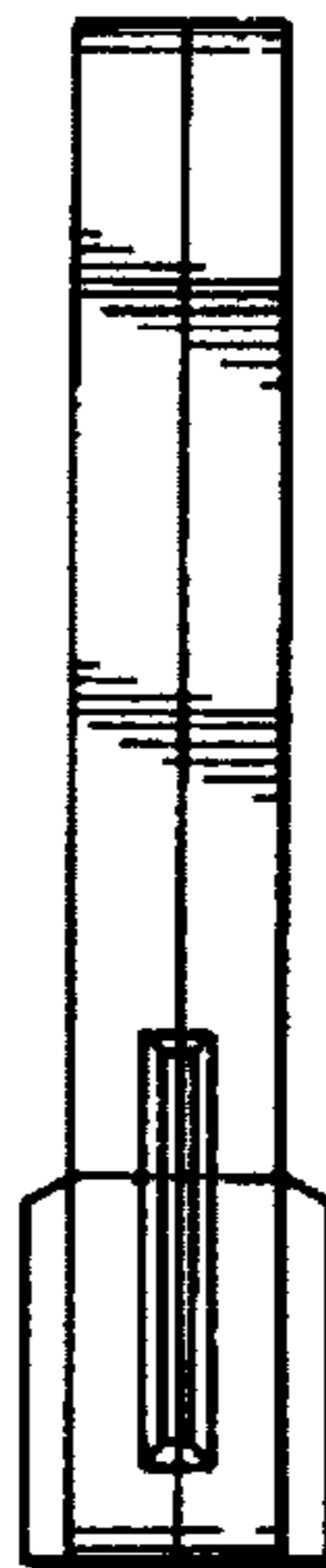


FIG. 4

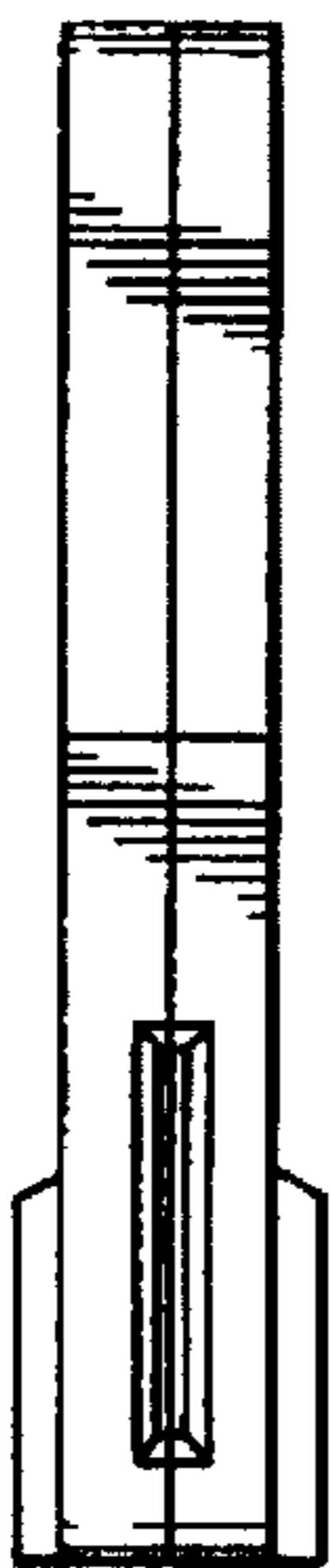


FIG. 5

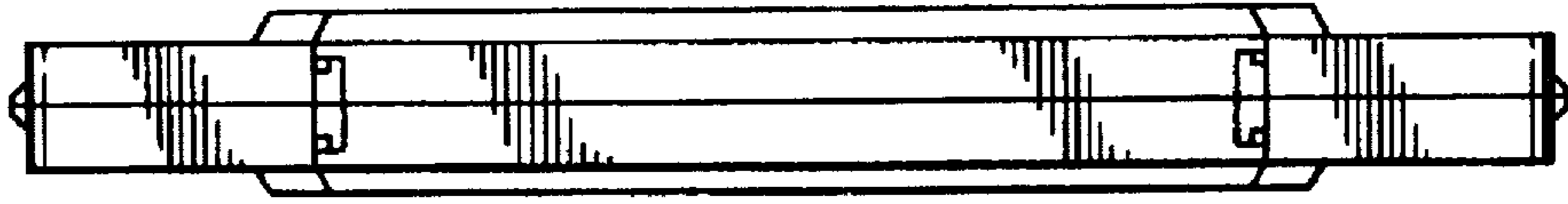


FIG. 6

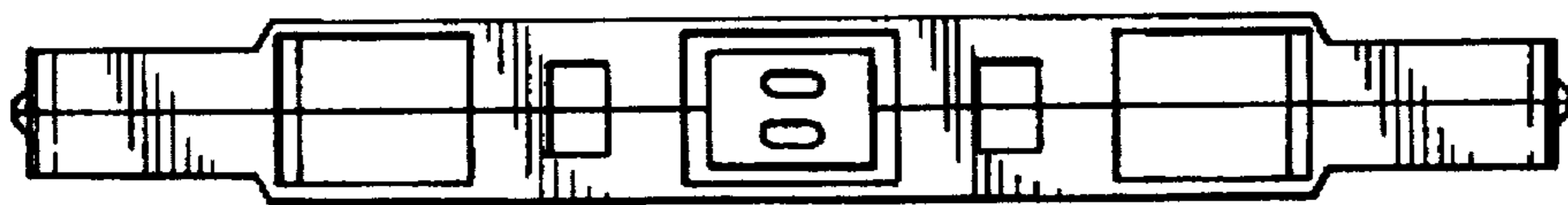


FIG. 7

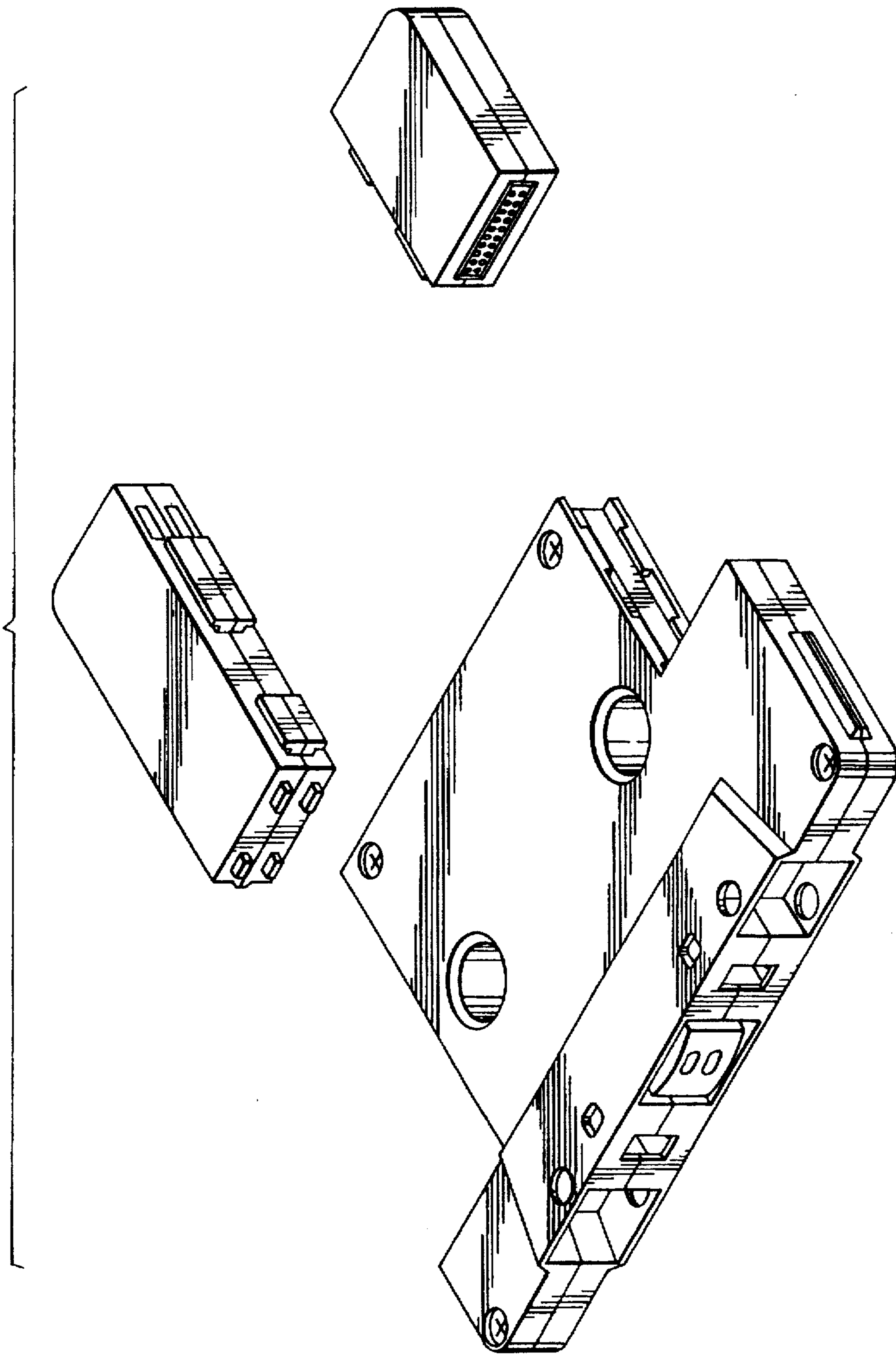


FIG. 8



UNITED STATES PATENT AND TRADEMARK OFFICE  
CERTIFICATE OF CORRECTION

PATENT NO. : Des 384,055  
DATED : September 23, 1997  
INVENTOR(S) : Chin-Kuang Luo

It is certified that error appears in the above-identified patent and that said Letters Patent is hereby corrected as shown below:

On the title page,

Please change

-- Item [22] Filed: Sep. 25, 1996" to --[22] Filed: June 25, 1996--.

Signed and Sealed this  
Twenty-fourth Day of February, 1998

Attest:



BRUCE LEHMAN

Attesting Officer

Commissioner of Patents and Trademarks