

US00D384052S

United States Patent [19]

Kodosky

[11] Patent Number: **Des. 384,052**

[45] Date of Patent: ****Sep. 23, 1997**

[54] **WHILE LOOP ICON FOR A DISPLAY SCREEN OF A PROGRAMMED COMPUTER SYSTEM**

D. 295,630 5/1988 Wells-Papanek et al. D18/27

[75] Inventor: **Jeffrey L. Kodosky**, Travis County, Tex.

[73] Assignee: **National Instruments Corporation**, Austin, Tex.

[**] Term: **14 Years**

[21] Appl. No.: **20,281**

[22] Filed: **Mar. 16, 1994**

OTHER PUBLICATIONS

"Microsoft Word Quick Results Guide" copyright 1993, Microsoft, p. 28.

Symbol Sourcebook, Henry Dreyfuss, Van Nostrand Reinhold, New York, 1972, p. 121, "Turning Basin".

Primary Examiner—Brian N. Vinson

Attorney, Agent, or Firm—Conley, Rose & Tayon; Jeffrey C. Hood

[57] CLAIM

The ornamental design for a while loop icon for a display screen of a programmed computer system, as shown and described.

DESCRIPTION

FIG. 1 is a perspective view of a while loop icon for a display screen of a programmed computer system showing my new design;

FIG. 2 is a front elevational view thereof; and,

FIG. 3 is an enlarged front elevational view thereof, with the broken-line disclosure omitted.

The broken-line disclosure of a computer and screen in FIGS. 1 and 2 is for illustrative purposes only and forms no part of the claimed design.

Related U.S. Application Data

[63] Continuation-in-part of Ser. No. 126,163, Sep. 22, 1993, Pat. No. 5,481,741, which is a continuation-in-part of Ser. No. 979,416, Nov. 19, 1992, Pat. No. 5,291,587, which is a continuation of Ser. No. 376,257, Jul. 6, 1989, abandoned, which is a continuation of Ser. No. 851,659, Apr. 11, 1986, abandoned, and a continuation-in-part of Ser. No. 380,329, Jul. 12, 1989, Pat. No. 5,301,336, which is a continuation of Ser. No. 923,127, Oct. 24, 1986, Pat. No. 4,914,568.

[51] LOC (6) Cl. **14-99**

[52] U.S. Cl. **D14/114.3**

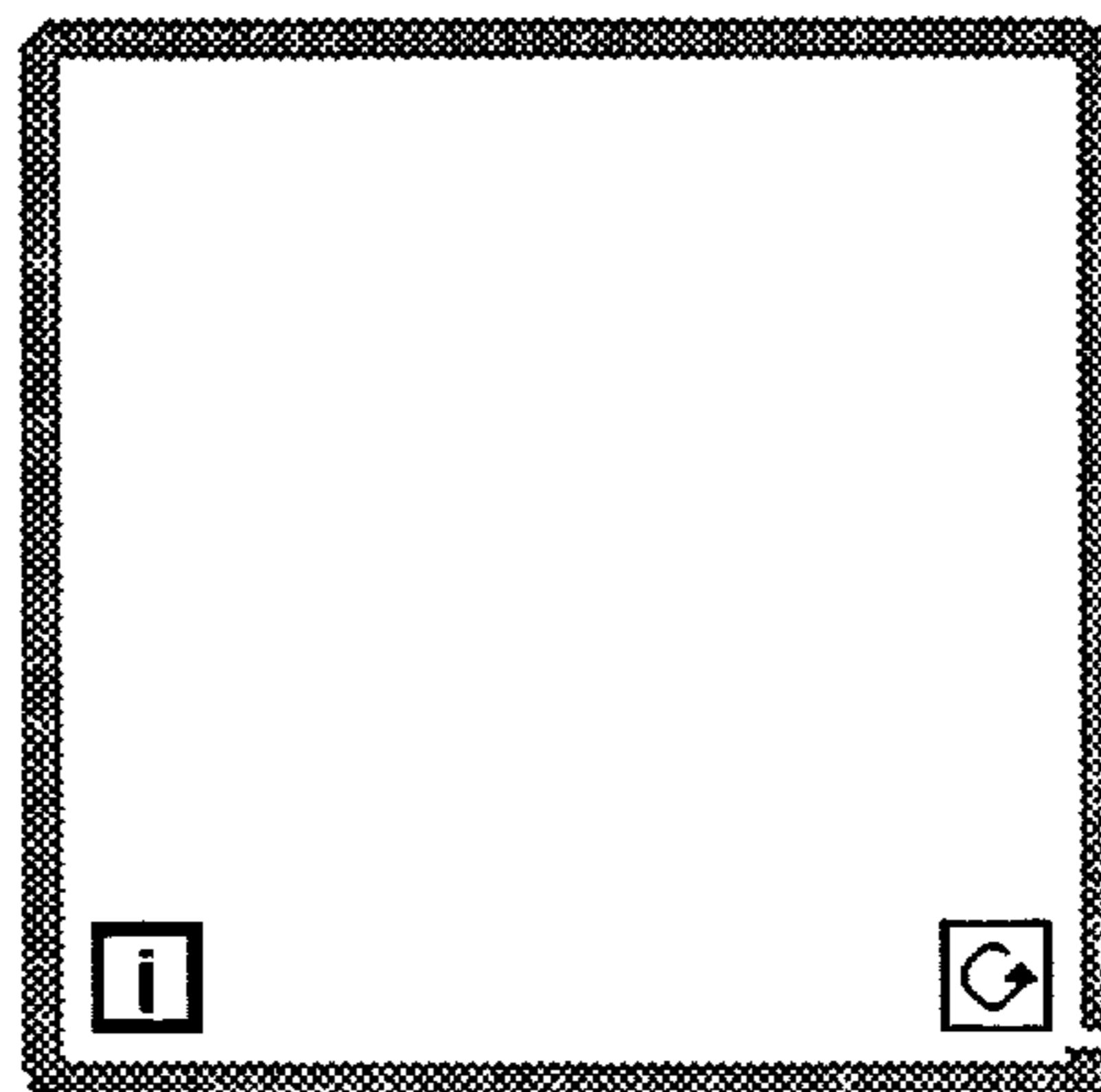
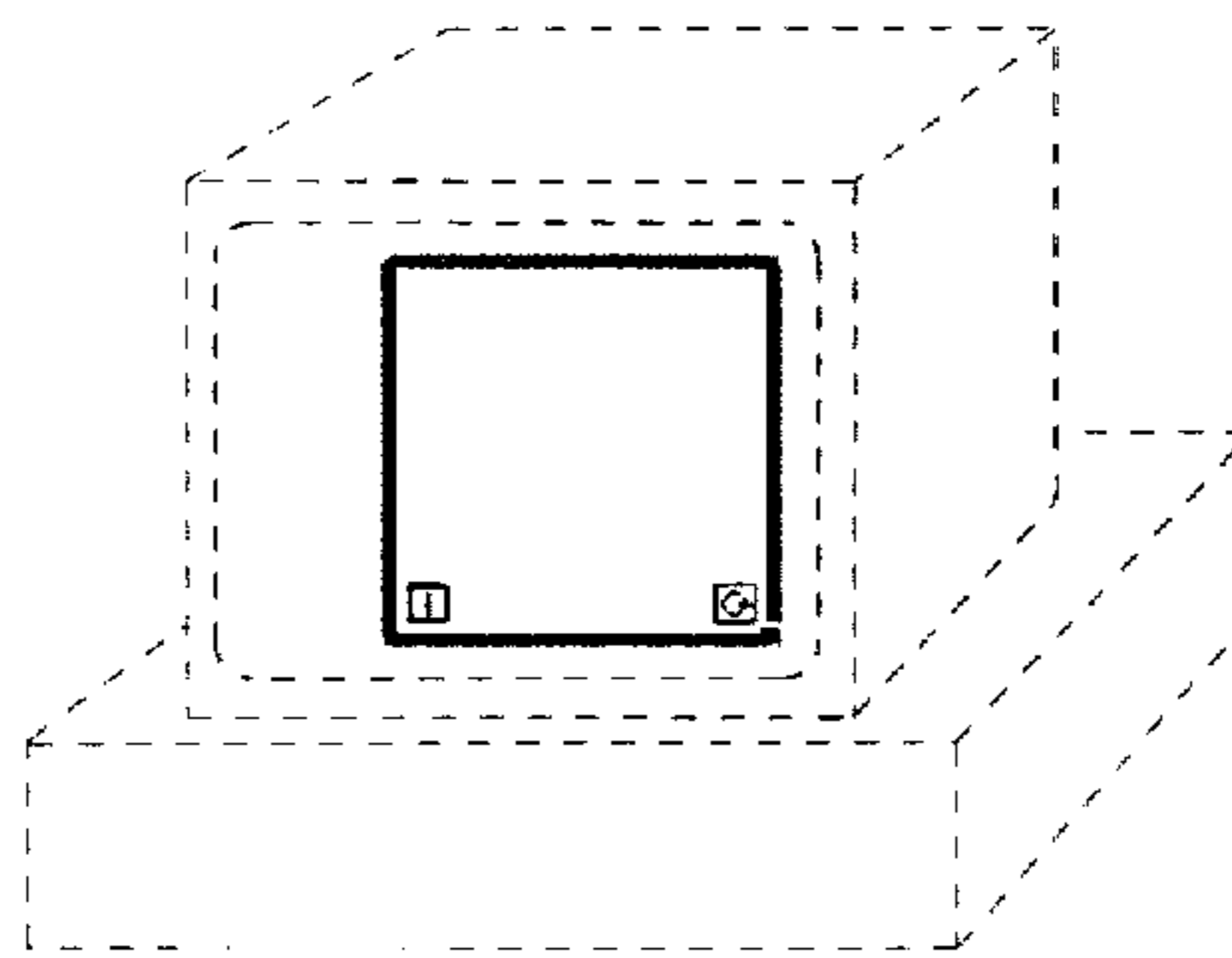
[58] Field of Search D14/114.1-114.9; D18/28, 27; D21/13, 14, 24; D19/6; D11/95, 99, 104, 132, 133, 165, 172; 395/155, 157, 159

[56] References Cited

U.S. PATENT DOCUMENTS

D. 281,081 10/1985 Zwissler et al. D18/27

1 Claim, 2 Drawing Sheets



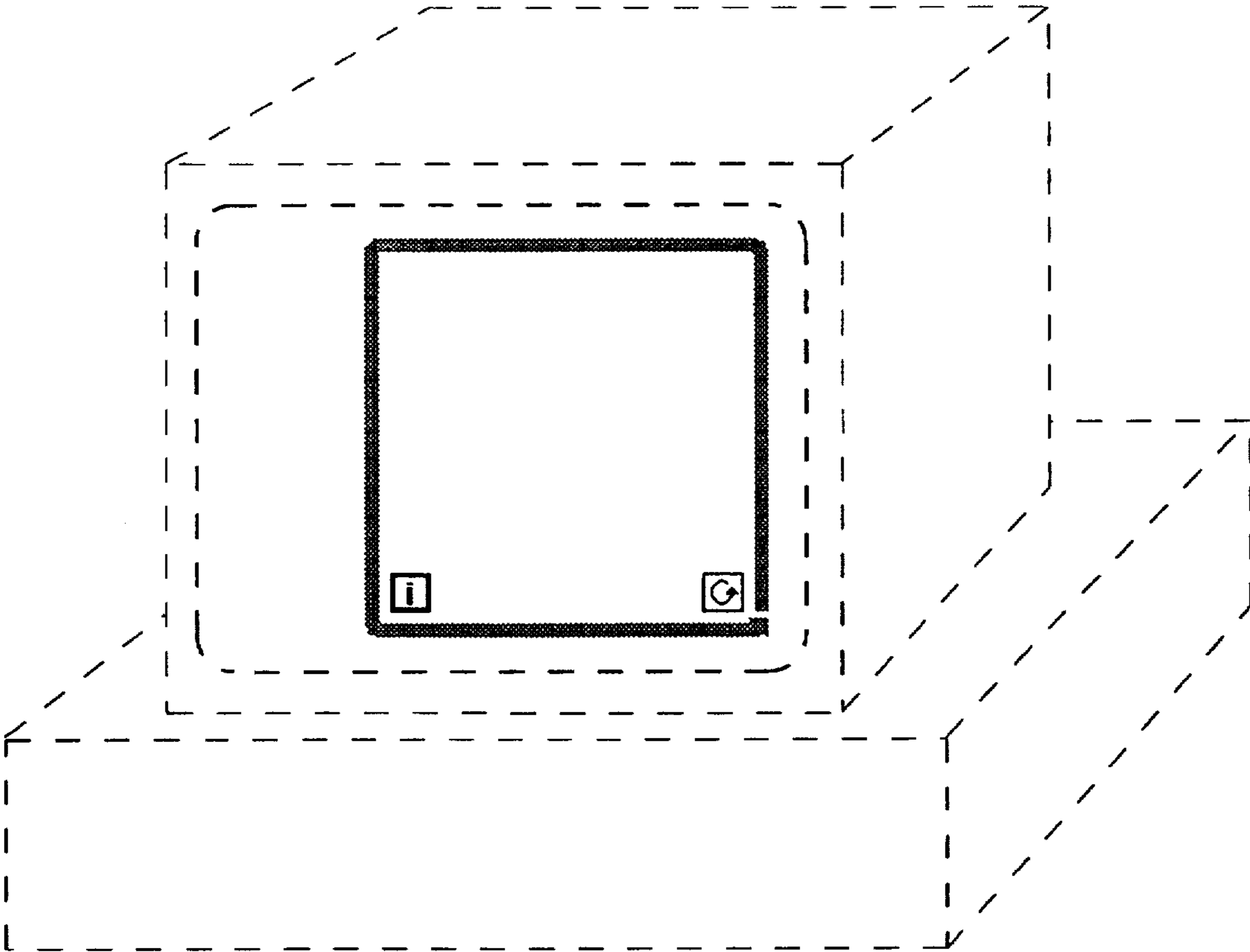


Fig. 1

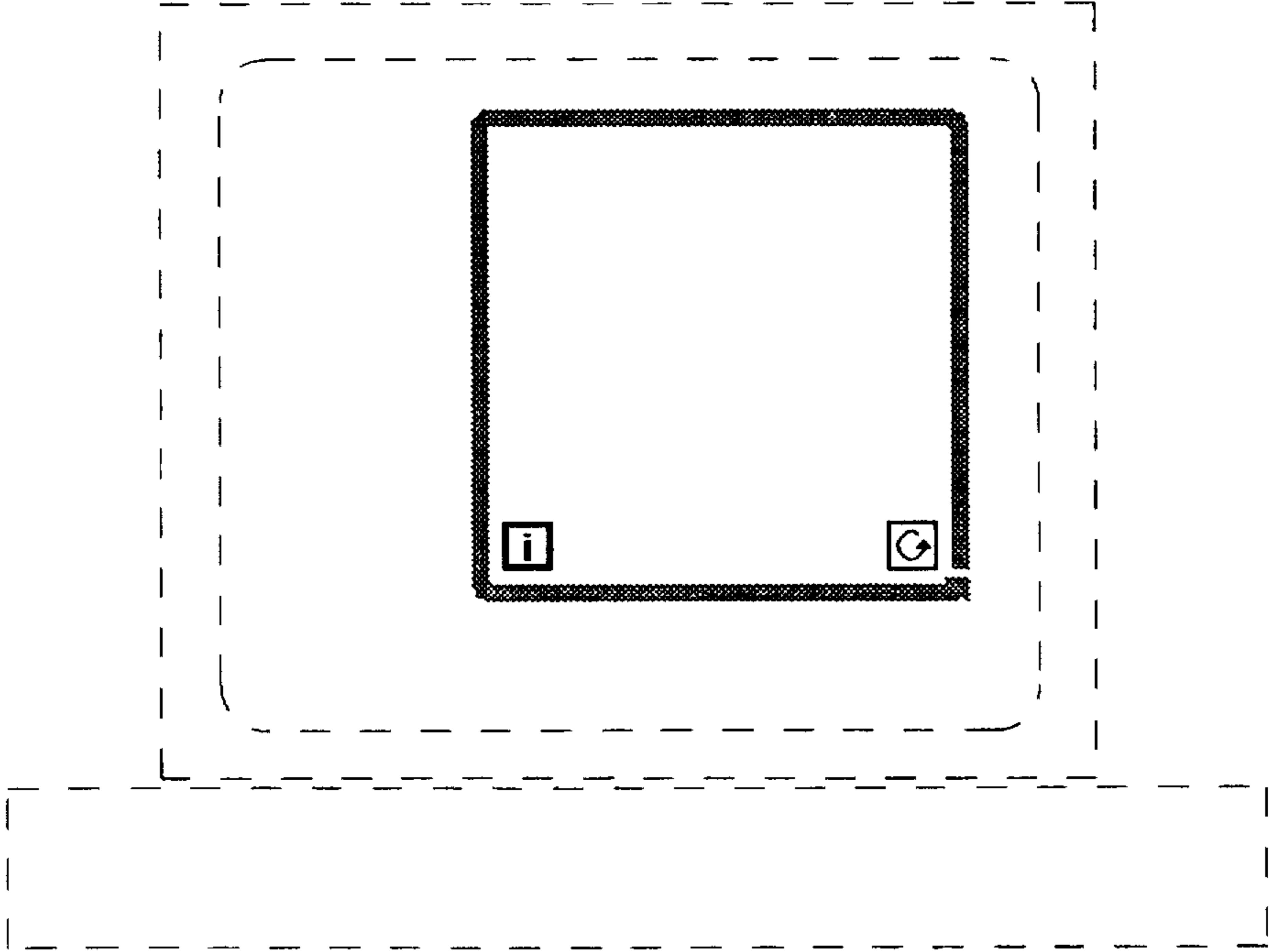


Fig. 2

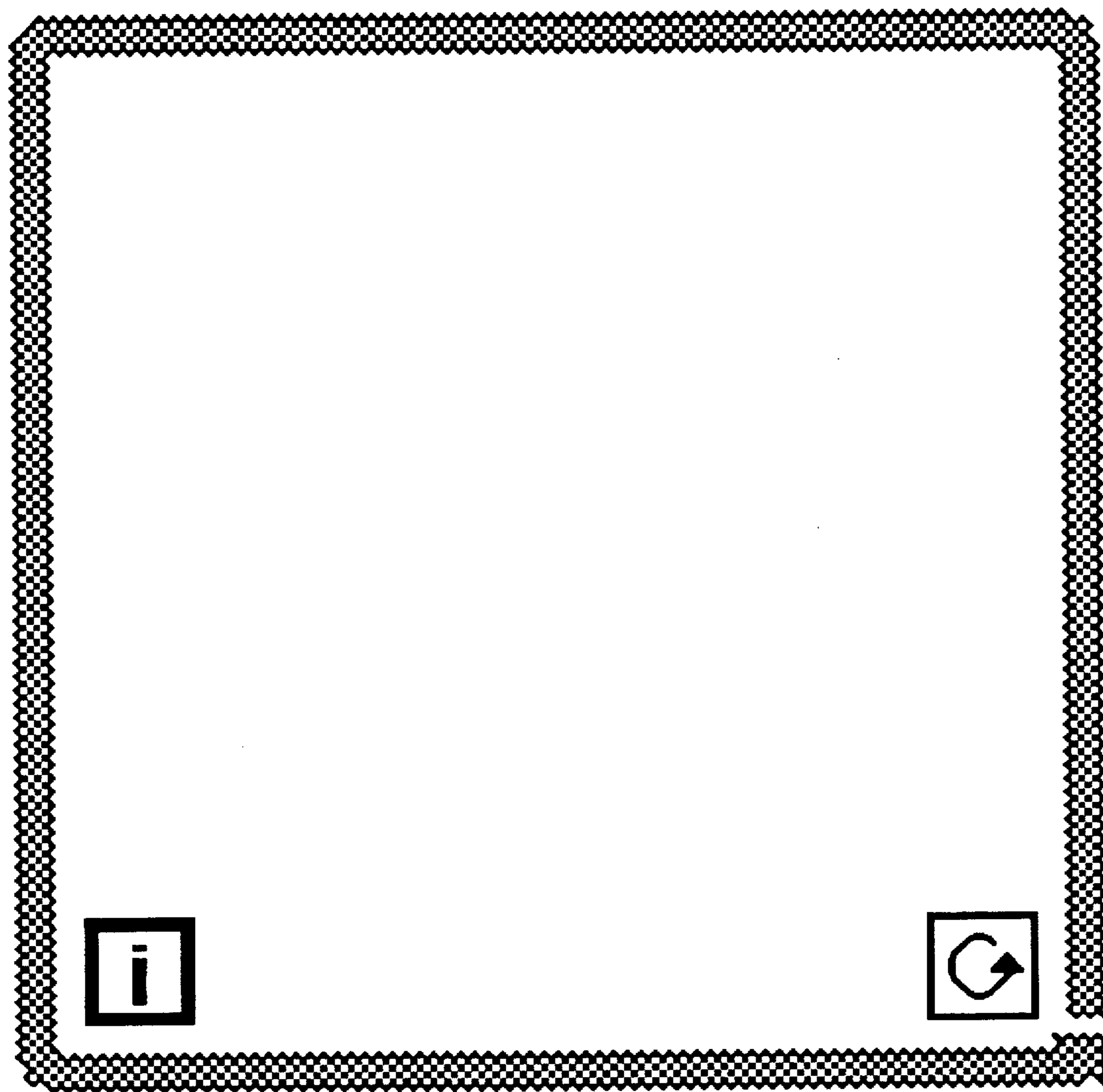


Fig. 3