

US00D384045S

# United States Patent [19]

Ito et al.

[11] Patent Number: **Des. 384,045**

[45] Date of Patent: **\*\*Sep. 23, 1997**

[54] **OPTICAL DISC DRIVE**

[75] Inventors: **Masafumi Ito; Shigeru Hasegawa,**  
both of Musashino, Japan

[73] Assignee: **TEAC Corporation,** Tokyo, Japan

[\*\*] Term: **14 Years**

[21] Appl. No.: **54,152**

[22] Filed: **May 7, 1996**

[30] **Foreign Application Priority Data**

Nov. 8, 1995 [JP] Japan ..... 7-33674

[51] LOC (6) Cl. .... **14-02**

[52] U.S. Cl. .... **D14/109**

[58] Field of Search ..... D14/100, 102,  
D14/107-109; D13/162, 184, 199; D6/432,  
436, 445, 448; 312/208.1; 361/680-695

[56] **References Cited**

**U.S. PATENT DOCUMENTS**

D. 308,361 6/1990 Nakamura et al. .... D14/109

D. 357,467 4/1995 Sakai et al. .... D14/109  
D. 360,197 7/1995 Ikenaga ..... D14/109 X  
D. 370,895 6/1996 Ito et al. .... D14/109  
D. 371,121 6/1996 Hayami et al. .... D14/107

*Primary Examiner*—Freda Nunn  
*Attorney, Agent, or Firm*—Michael N. Meller

[57] **CLAIM**

The ornamental design for an optical disc drive, as shown and described.

**DESCRIPTION**

FIG. 1 is a perspective view of an optical disc drive showing our new design;  
FIG. 2 is a front view thereof;  
FIG. 3 is a rear view thereof;  
FIG. 4 is a left side view thereof, the right side view being a mirror image of the left side;  
FIG. 5 is a top view thereof; and,  
FIG. 6 is a bottom view thereof.

**1 Claim, 3 Drawing Sheets**

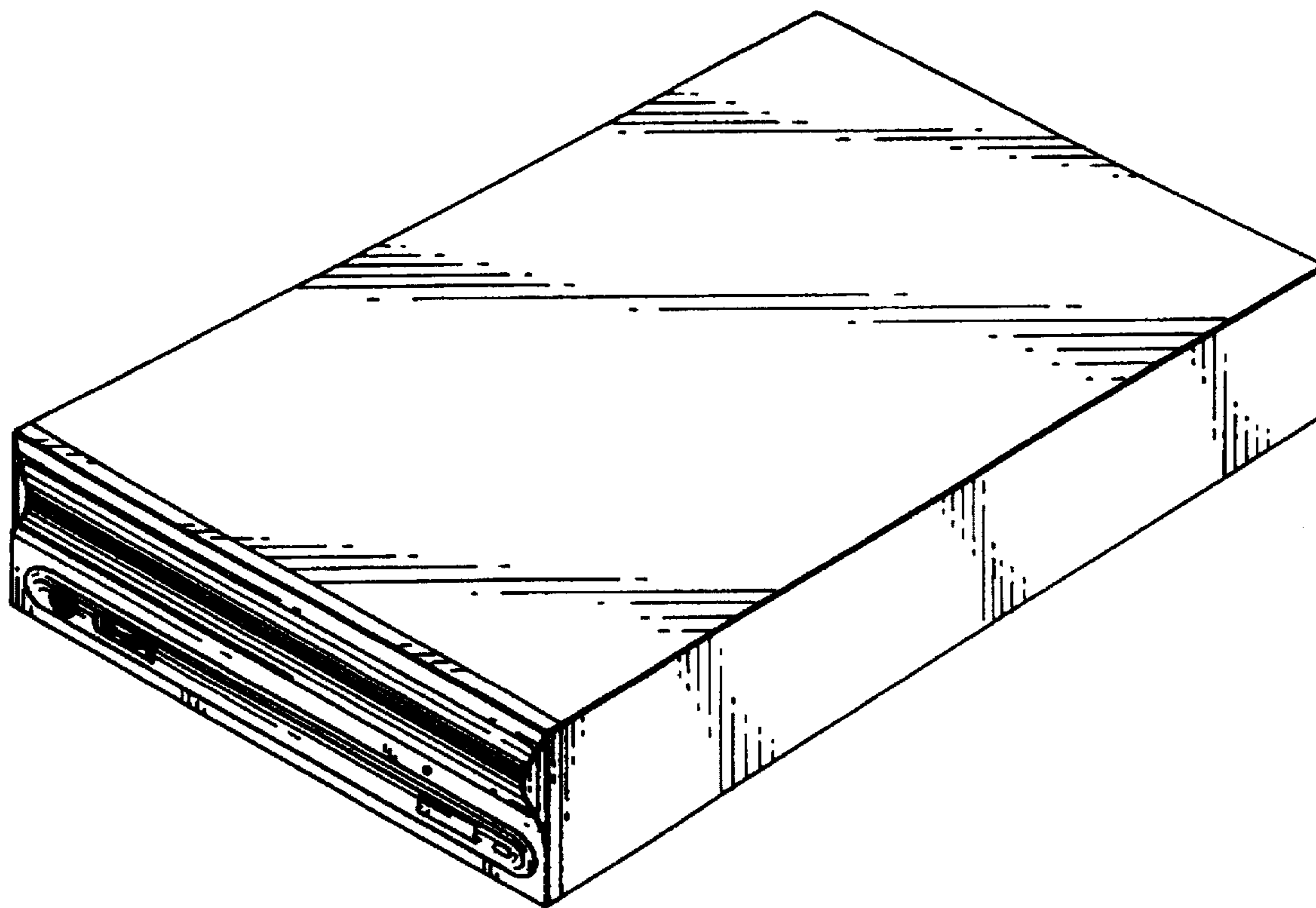


FIG. 1

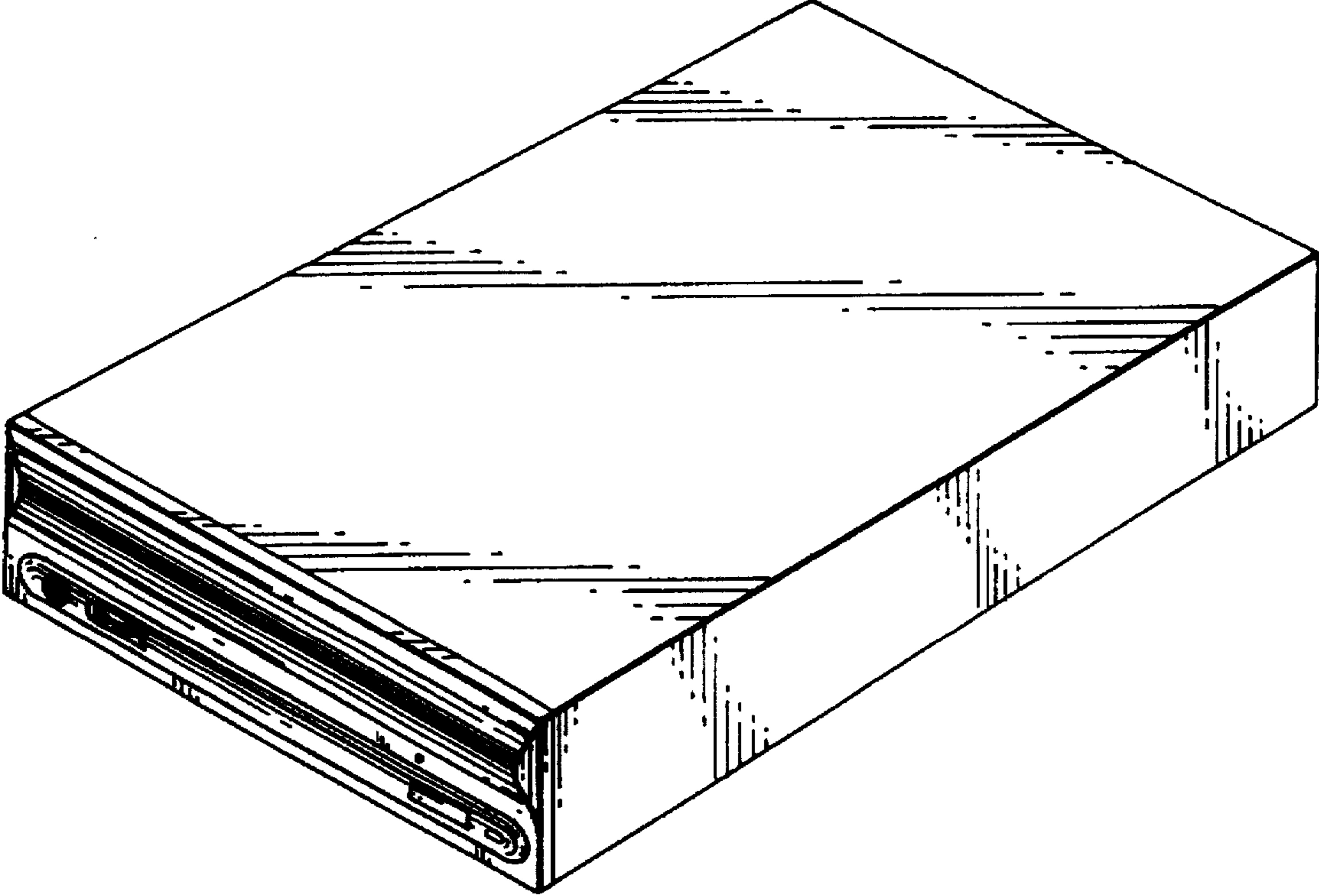


FIG. 2

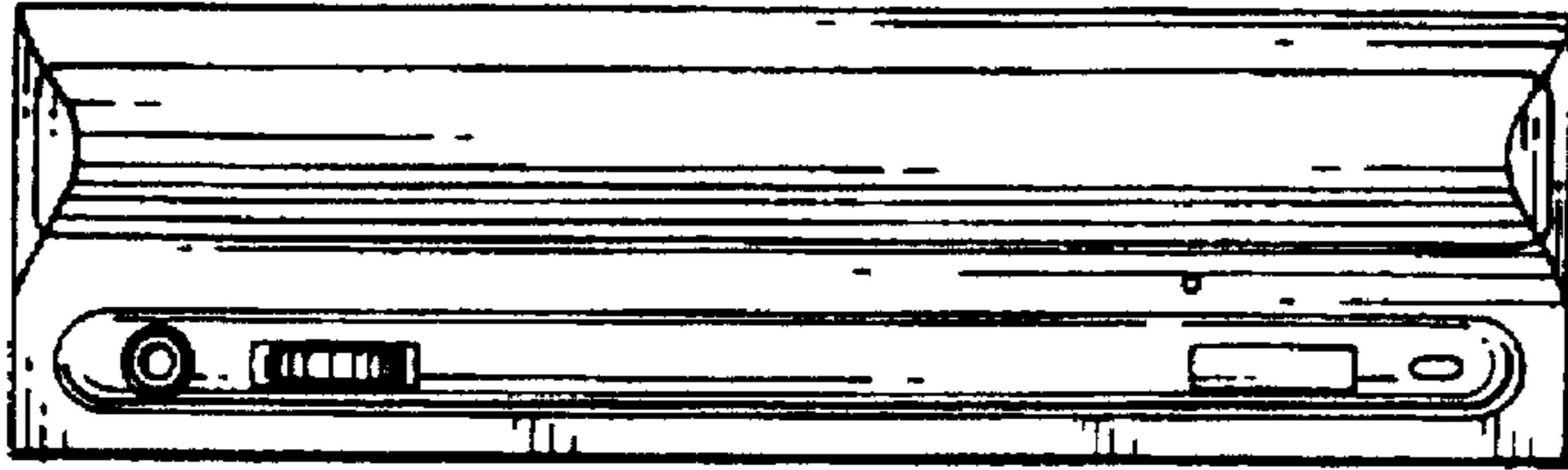


FIG. 3

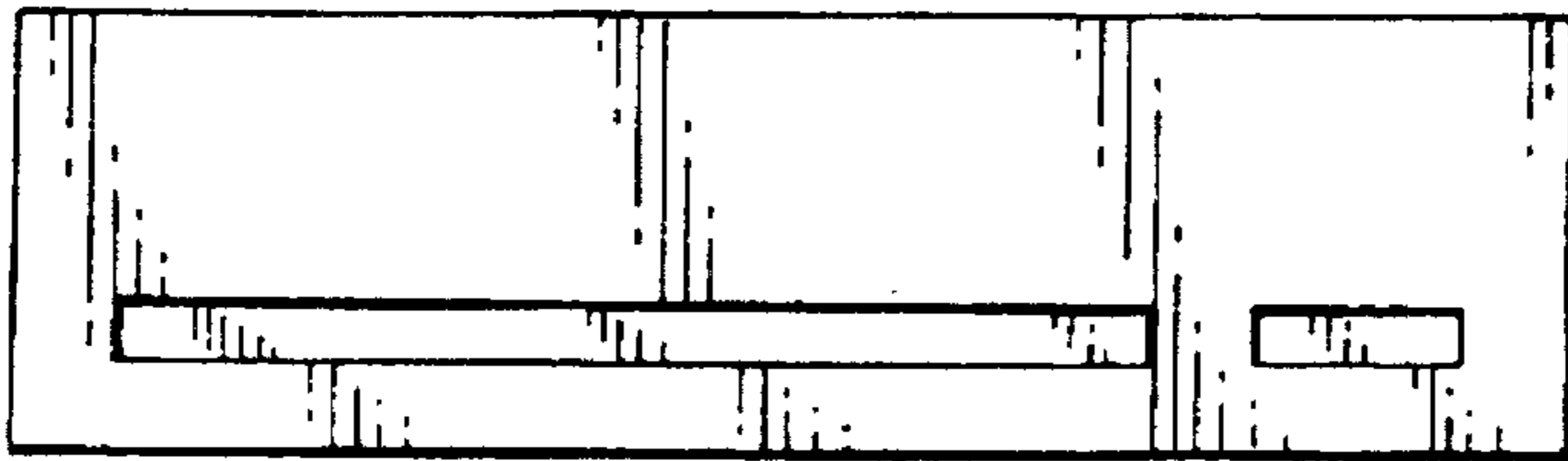


FIG. 4

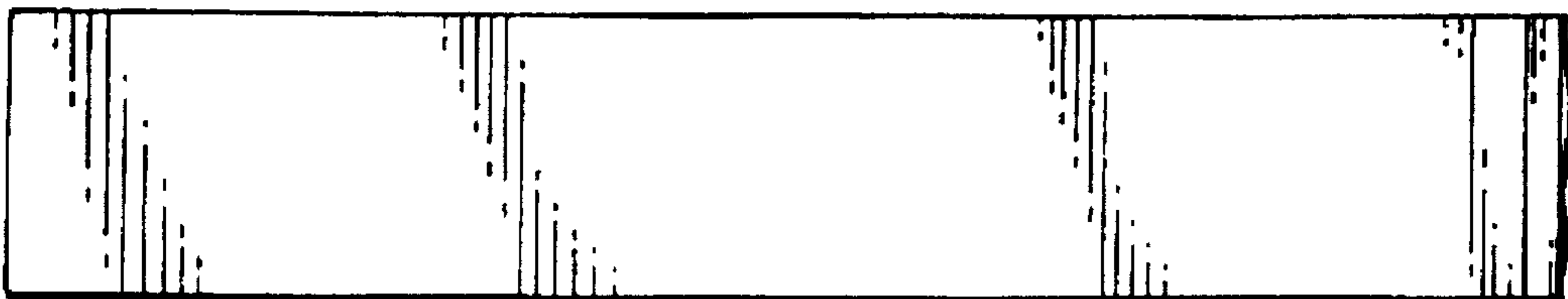


FIG. 5

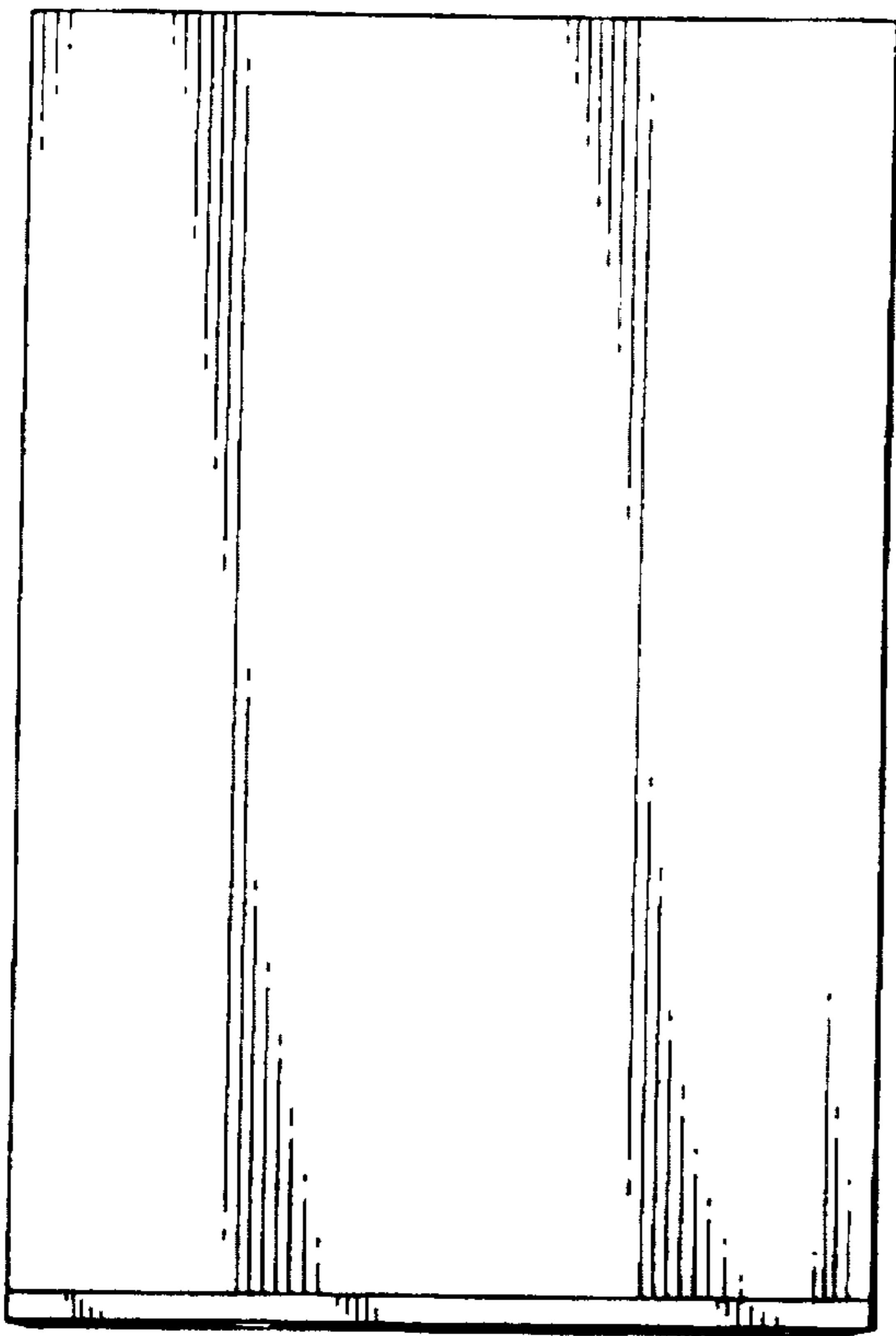


FIG. 6

