



US00D384043S

United States Patent [19]

Tamaki

[11] Patent Number: Des. 384,043

[45] Date of Patent: **Sep. 23, 1997

[54] PERSONAL COMPUTER

[75] Inventor: **Hidetoshi Tamaki**, Nara, Japan

[73] Assignee: **Sharp Kabushiki Kaisha**, Osaka, Japan

[**] Term: 14 Years

- D. 343,167 1/1994 Mizusugi et al. .
- D. 343,168 1/1994 Morisaki et al. .
- D. 344,496 2/1994 Mizusugi et al. .
- D. 355,170 2/1995 Mizusugi et al. .
- D. 356,550 3/1995 Mizusugi et al. .
- D. 357,674 4/1995 Mizusugi .
- D. 365,336 12/1995 Vossoughi et al. D14/106
- D. 366,033 1/1996 Youens et al. D14/106

[21] Appl. No.: 56,389

[22] Filed: Jun. 27, 1996

[30] Foreign Application Priority Data

Dec. 27, 1995 [JP] Japan 7-39824

[51] LOC (6) Cl. 14-02

[52] U.S. Cl. D14/106

[58] Field of Search D14/100, 101, D14/106, 113, 115; D18/1, 2, 7; 235/145 A, 145 R; 341/22, 23; 345/104, 156, 168, 173; 361/680-686; 364/708.1; 400/486, 489

[56] References Cited

U.S. PATENT DOCUMENTS

- D. 330,016 10/1992 Mizusugi et al. .
- D. 334,182 3/1993 Mizusugi et al. .
- D. 335,124 4/1993 Mizusugi et al. .
- D. 338,880 8/1993 Mizusugi et al. .
- D. 339,114 9/1993 Mizusugi et al. .
- D. 340,921 11/1993 Mizusugi et al. .

Primary Examiner—Freda Nunn
Attorney, Agent, or Firm—Nixon & Vanderhye

[57] CLAIM

The ornamental design for a “personal computer”, as shown and described.

DESCRIPTION

FIG. 1 is a top, front and right side perspective view of a personal computer according to my design and illustrated in the open position;
 FIG. 2 is a view similar to FIG. 1 illustrating the personal computer in a closed position;
 FIG. 3 is a front elevational view of the personal computer hereof in the open position;
 FIG. 4 is a top plan view thereof;
 FIG. 5 is a right side elevational view thereof;
 FIG. 6 is a rear elevational view thereof;
 FIG. 7 is a left side elevational view thereof; and,
 FIG. 8 is a bottom plan view thereof.

1 Claim, 4 Drawing Sheets

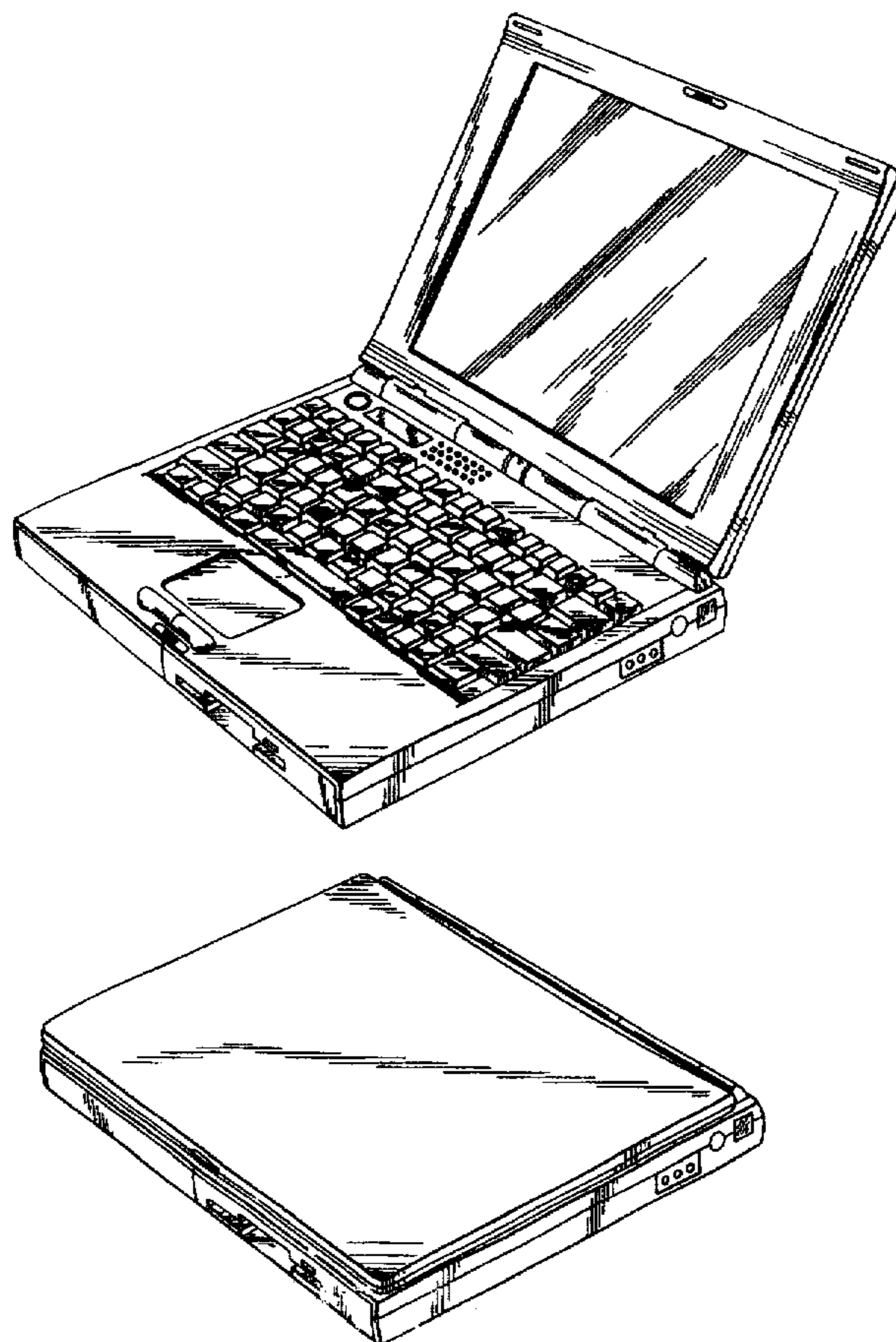


Fig. 1

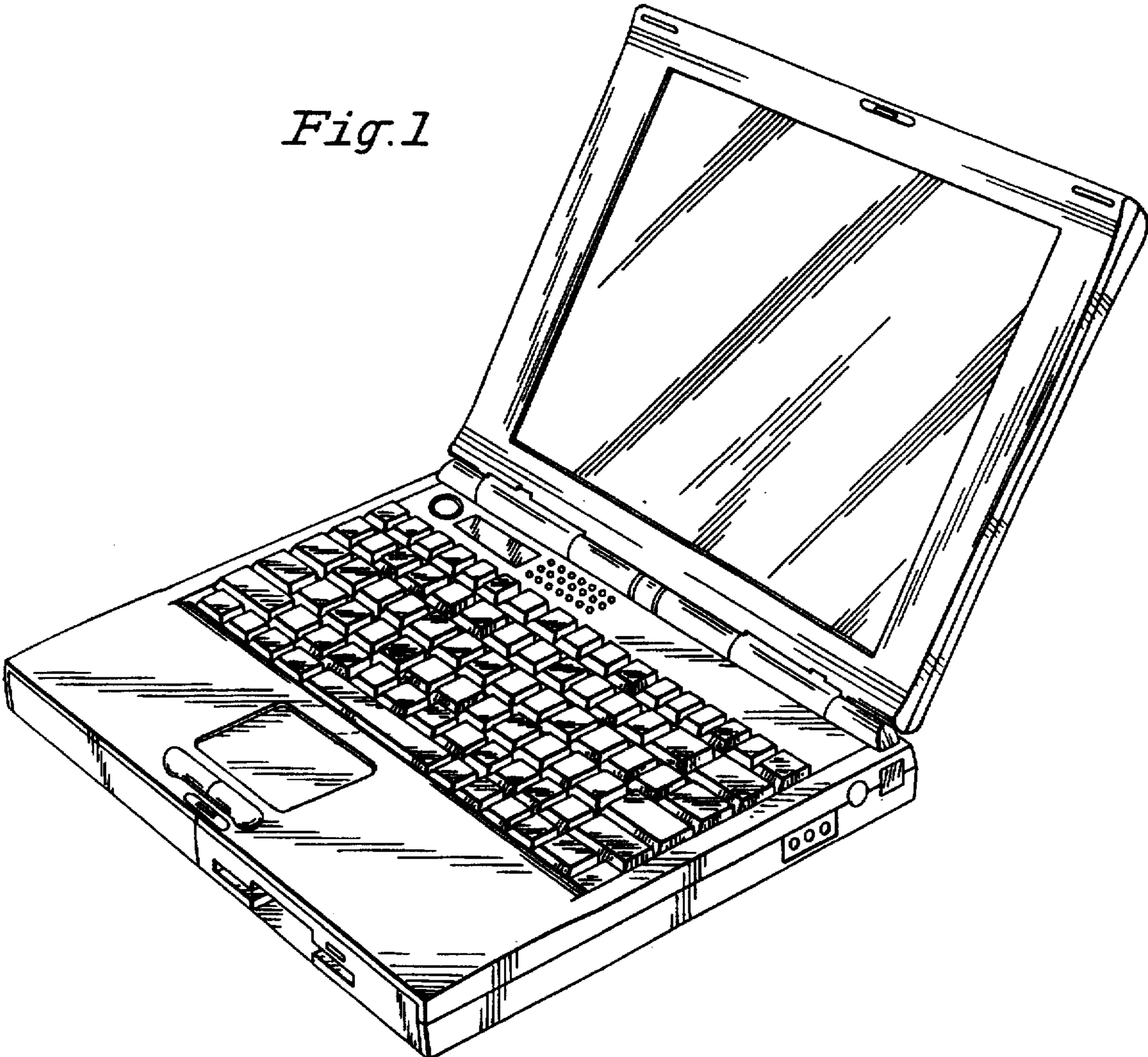


Fig. 2

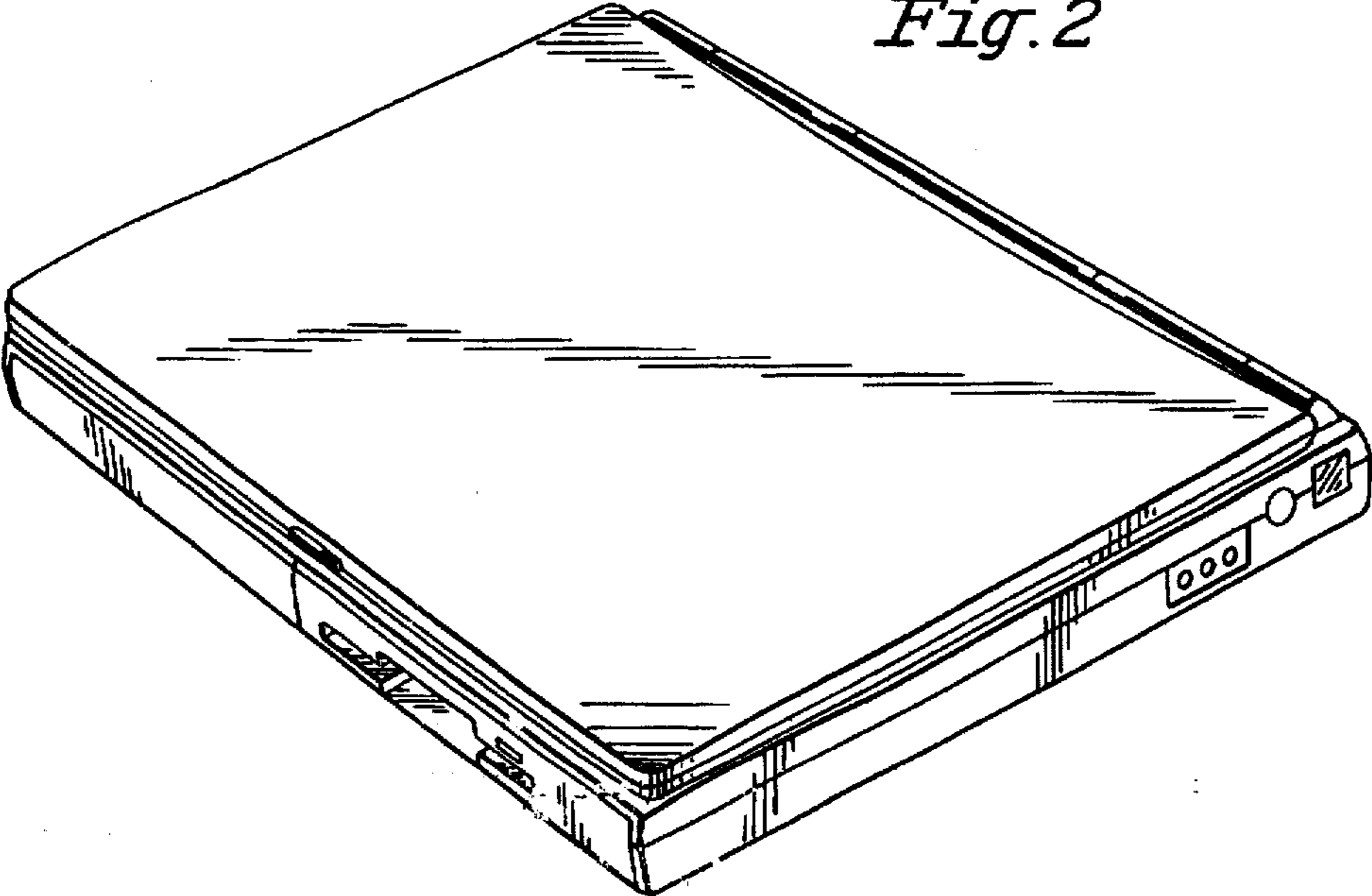


Fig.3

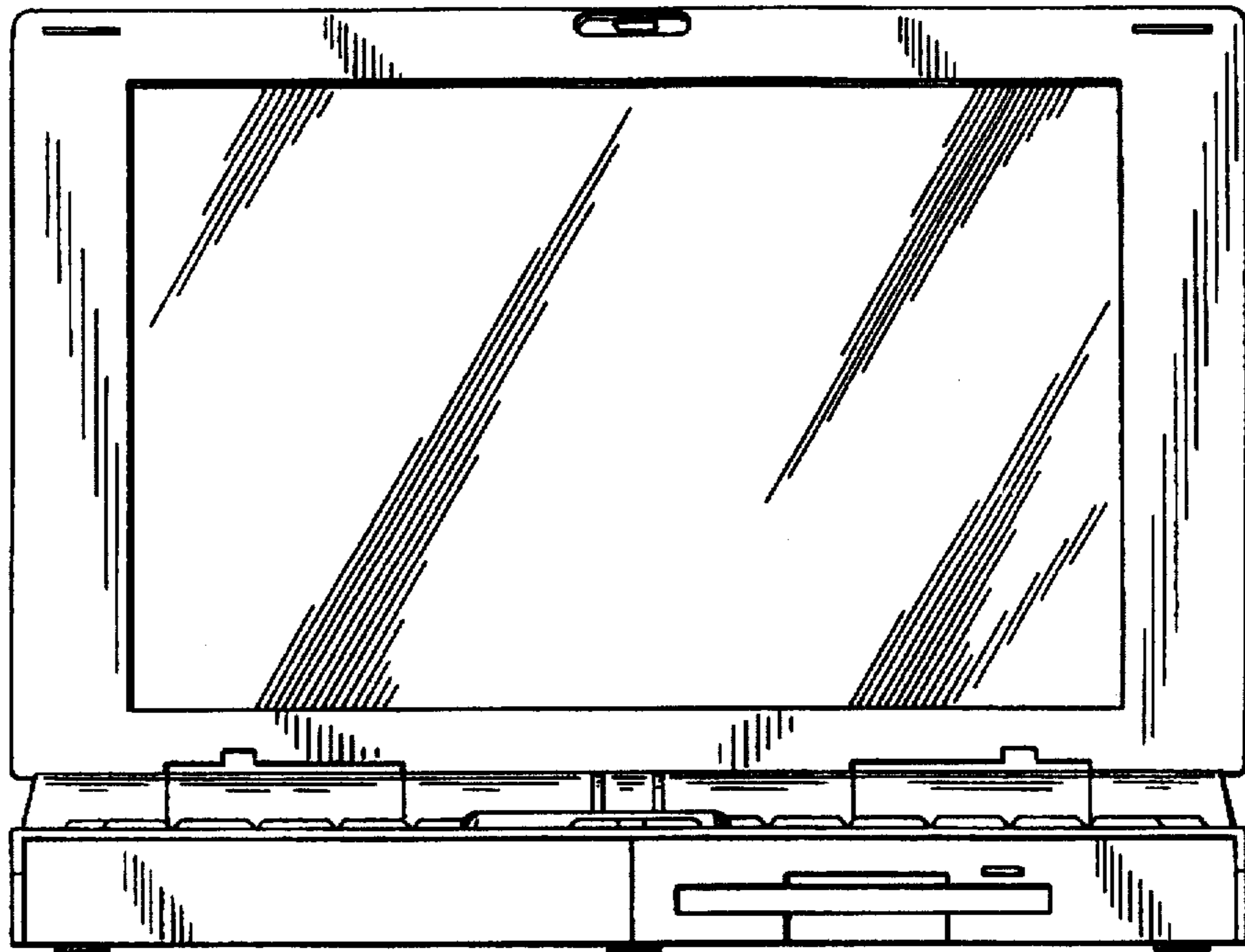


Fig.4

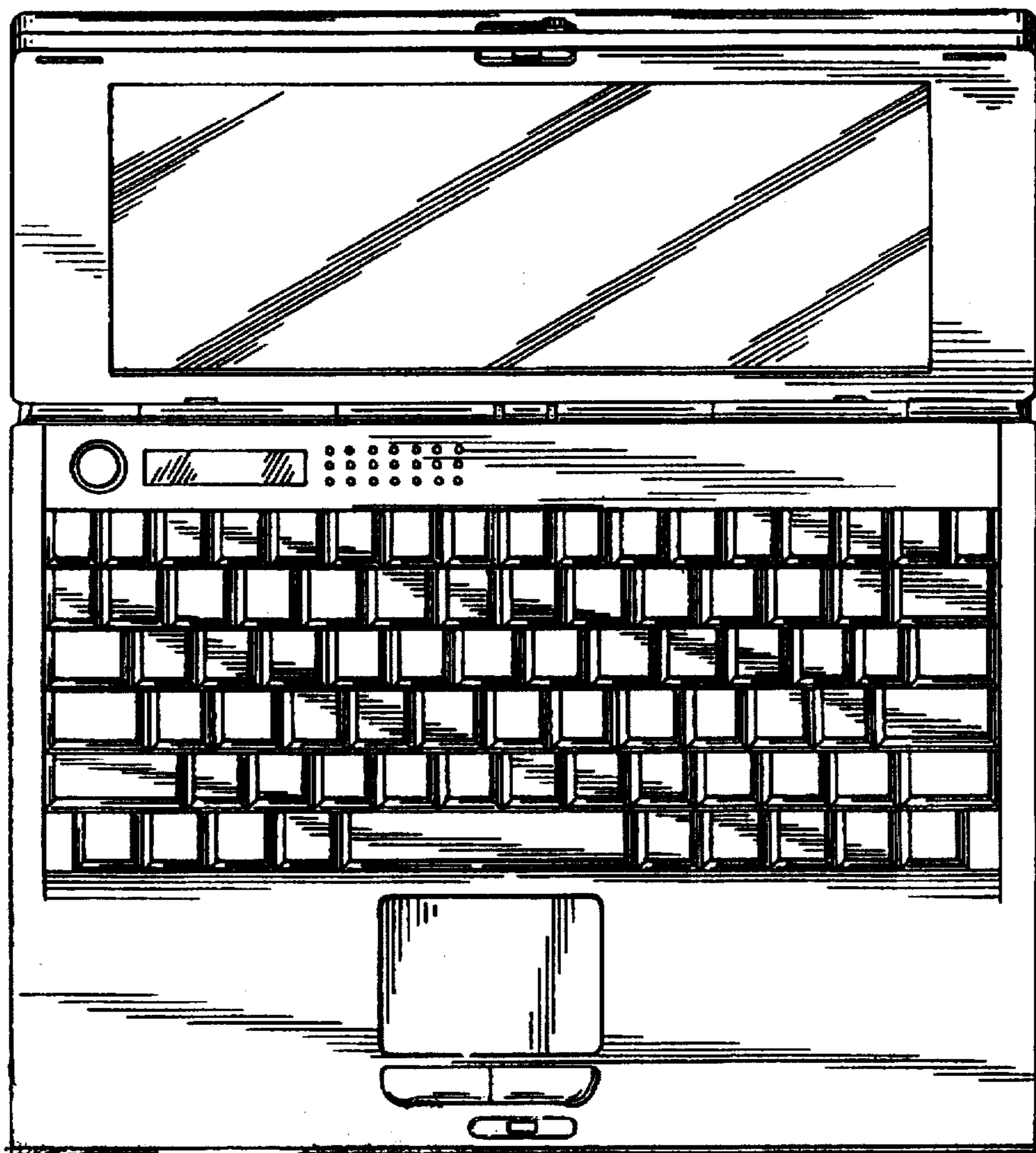


Fig. 5

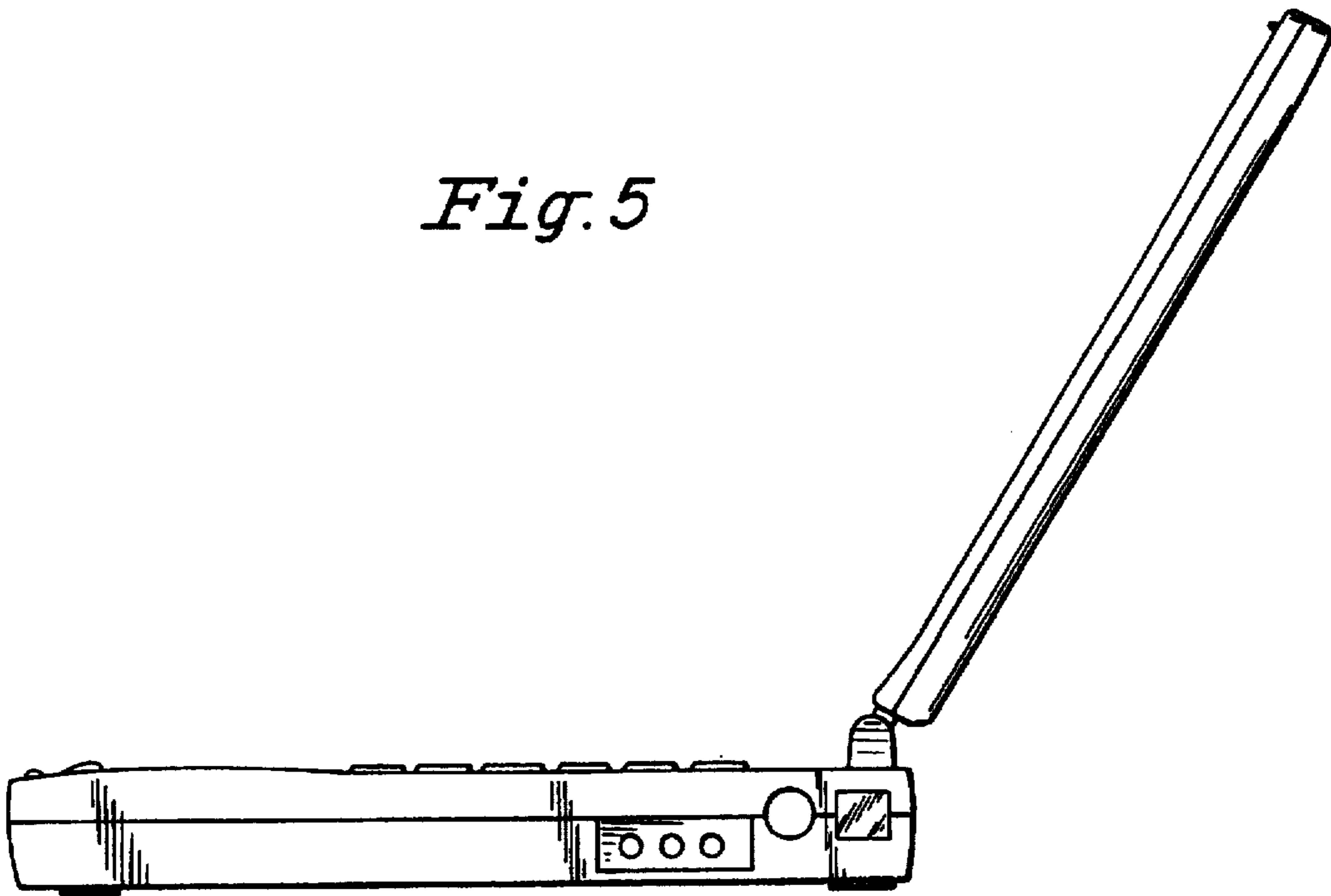
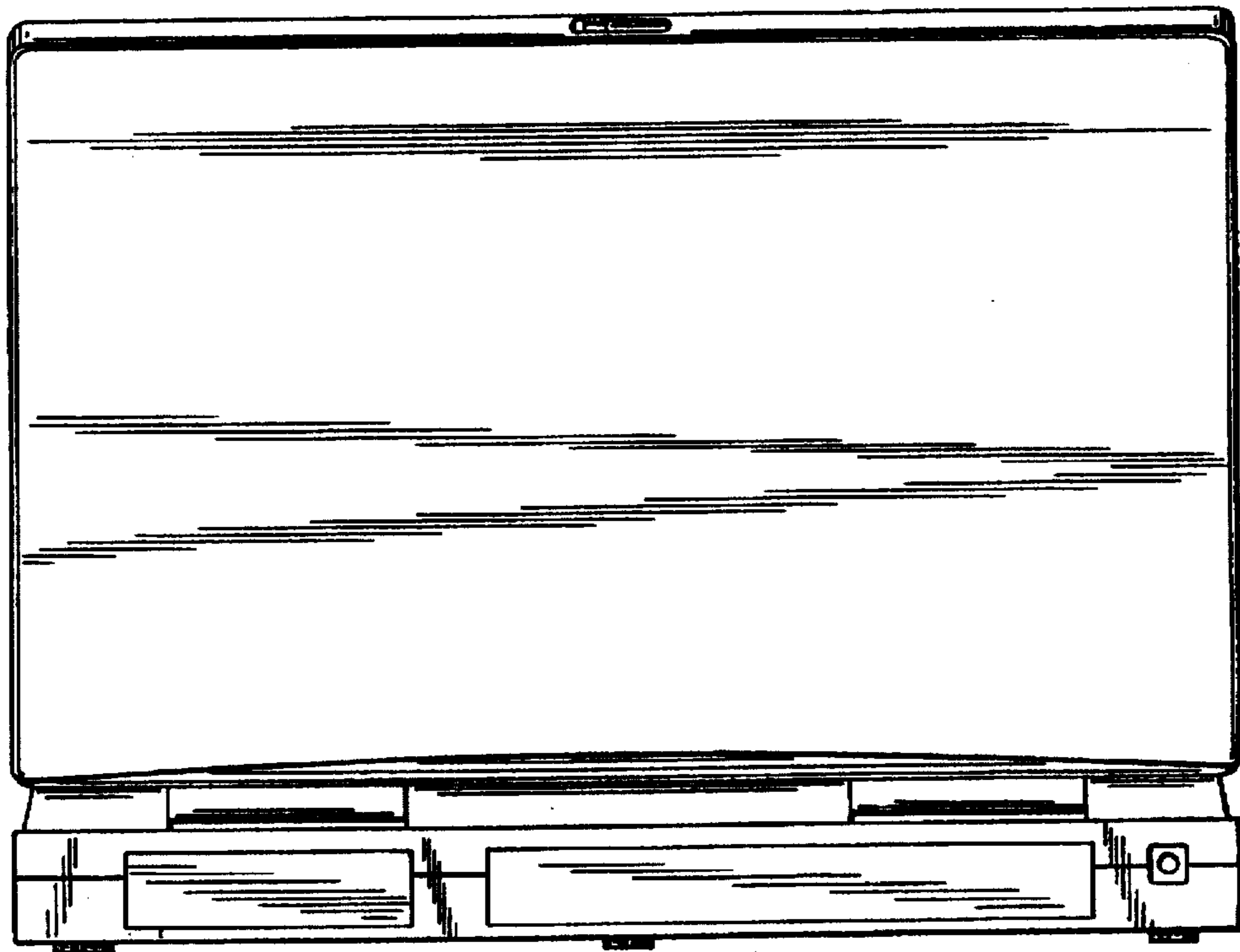


Fig. 6



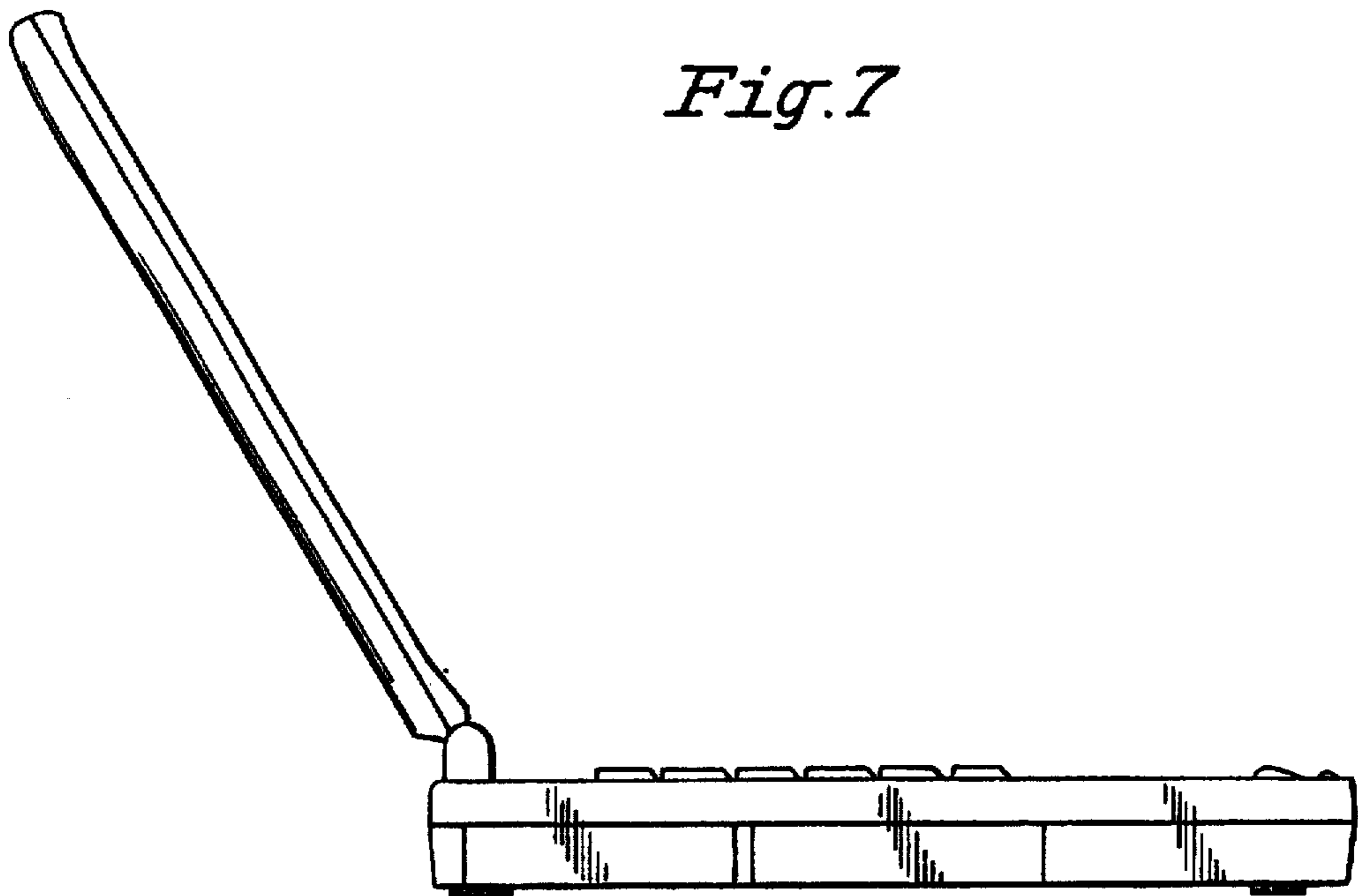


Fig. 7

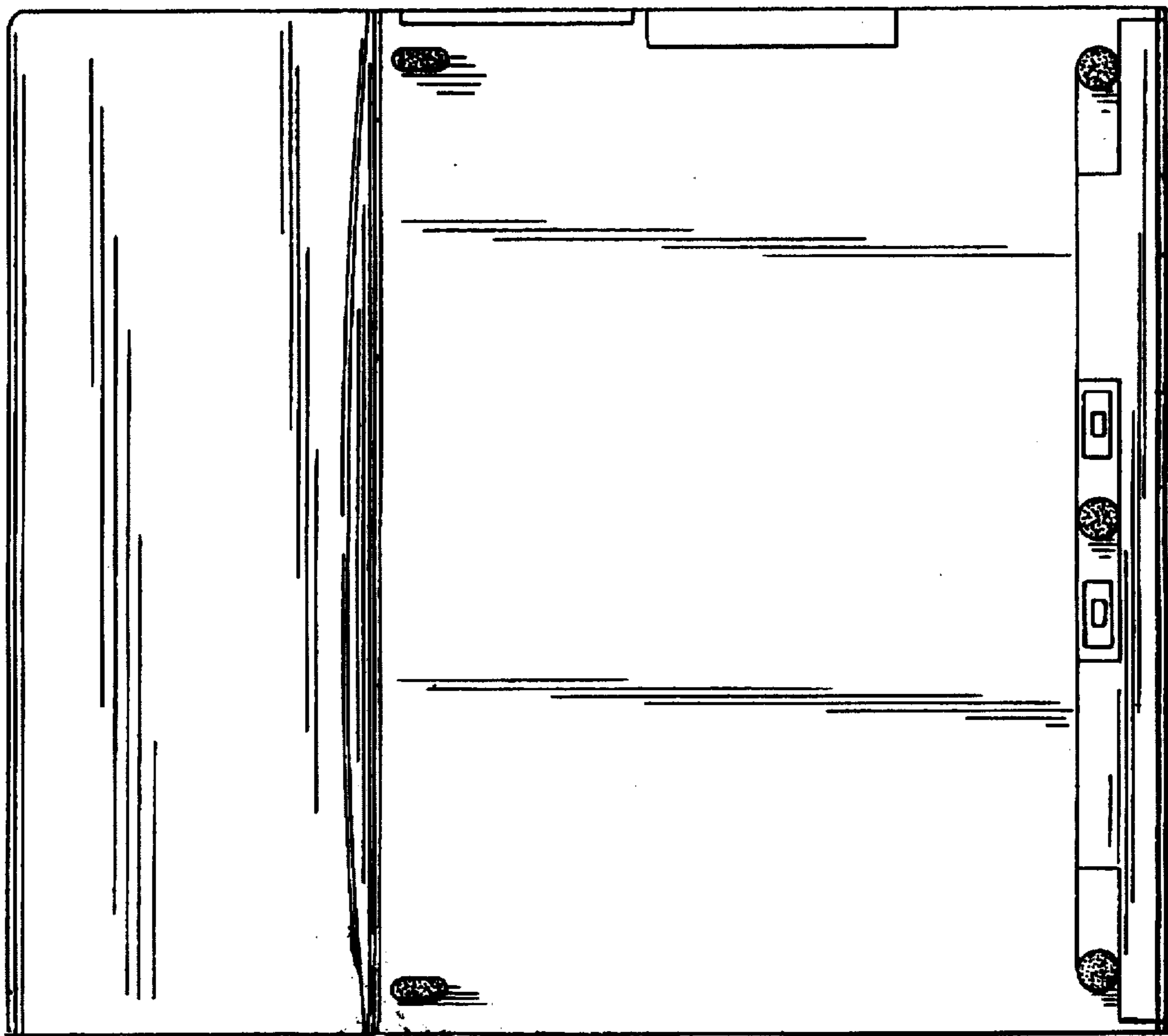


Fig. 8