

US00D384038S

United States Patent [19] Ko

[11] Patent Number: **Des. 384,038**

[45] Date of Patent: *****Sep. 23, 1997**

[54] **FAN SPEED AND LIGHT DIMMER
CONTROLLER**

D. 316,248 4/1991 Dob D13/162
D. 329,635 9/1992 Tsai D13/170 X
D. 340,718 10/1993 Leger et al. D8/350
D. 351,139 10/1994 Ko D13/162

[75] Inventor: **Jen-Fa Ko, Taichung Hsien, Taiwan**

[73] Assignee: **Well Tec Precision Industry Co., Ltd.,
Taichung Hsien, Taiwan**

Primary Examiner—Brian N. Vinson
Assistant Examiner—Lavone Tabor
Attorney, Agent, or Firm—Morton J. Rosenberg; David I. Klein

[*] Notice: The portion of the term of this patent subsequent to Jan. 4, 2008, has been disclaimed.

[**] Term: **14 Years**

[57] CLAIM

The ornamental design for a fan speed and light dimmer controller, as shown and as described.

[21] Appl. No.: **44,027**

[22] Filed: **Sep. 15, 1995**

DESCRIPTION

[51] LOC (6) Cl. **13-03**

[52] U.S. Cl. **D13/162; D13/170**

[58] Field of Search D13/158, 162,
D13/169-170, 174, 177; D8/350, 353; 174/48,
50, 53, 66-67; 200/329-330, 339, 547-552,
553, 563; 220/241; 307/112, 115, 125;
338/74, 176, 198-200

FIG. 1 is a perspective view of a fan speed and light dimmer controller showing my new design;

FIG. 2 is a front view thereof;

FIG. 3 is a rear view thereof;

FIG. 4 is a top view thereof;

FIG. 5 is a bottom view thereof;

FIG. 6 is a left view thereof; and,

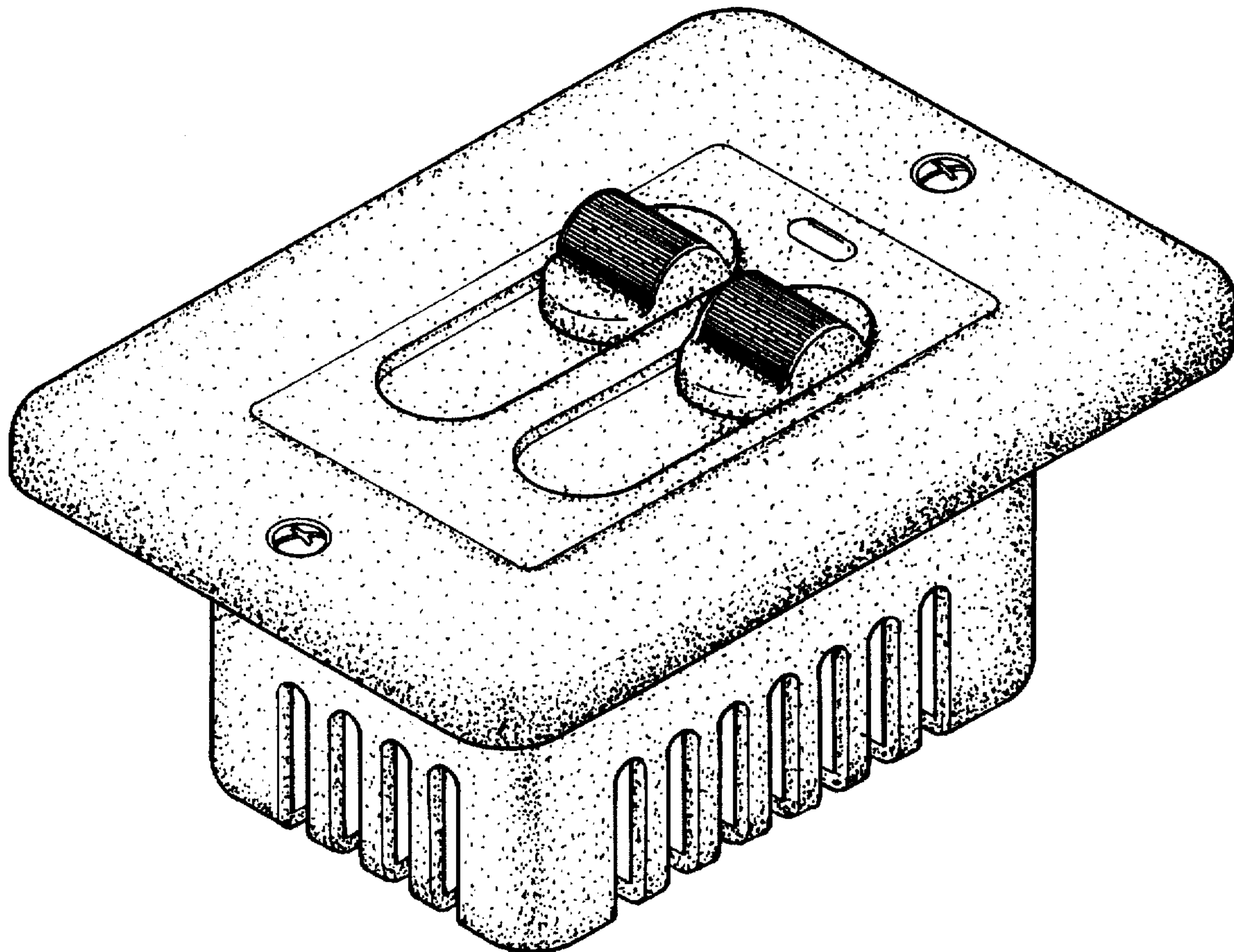
FIG. 7 is a right view thereof.

[56] References Cited

U.S. PATENT DOCUMENTS

D. 298,733 11/1988 Pool D8/353

1 Claim, 4 Drawing Sheets



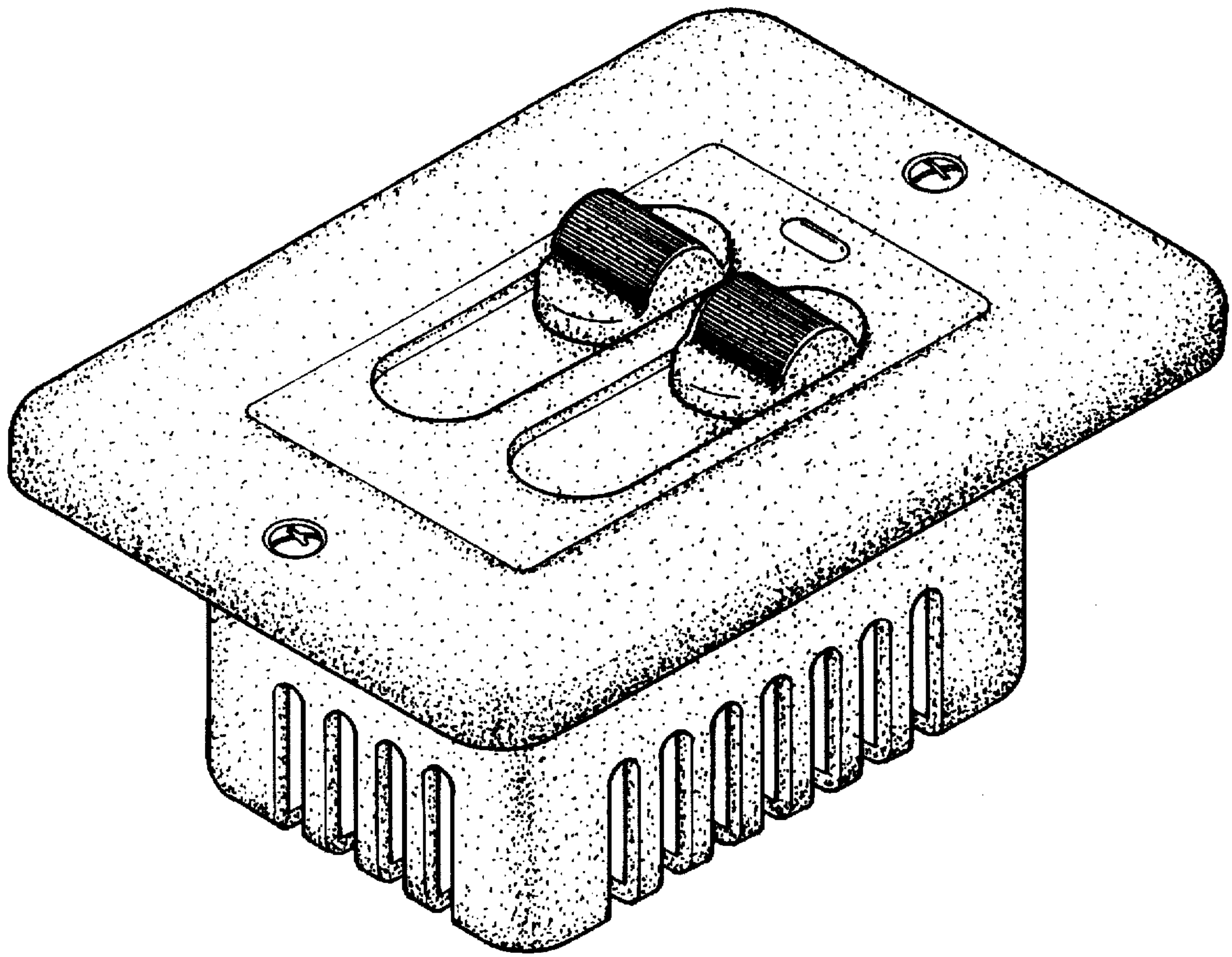


FIG . 1

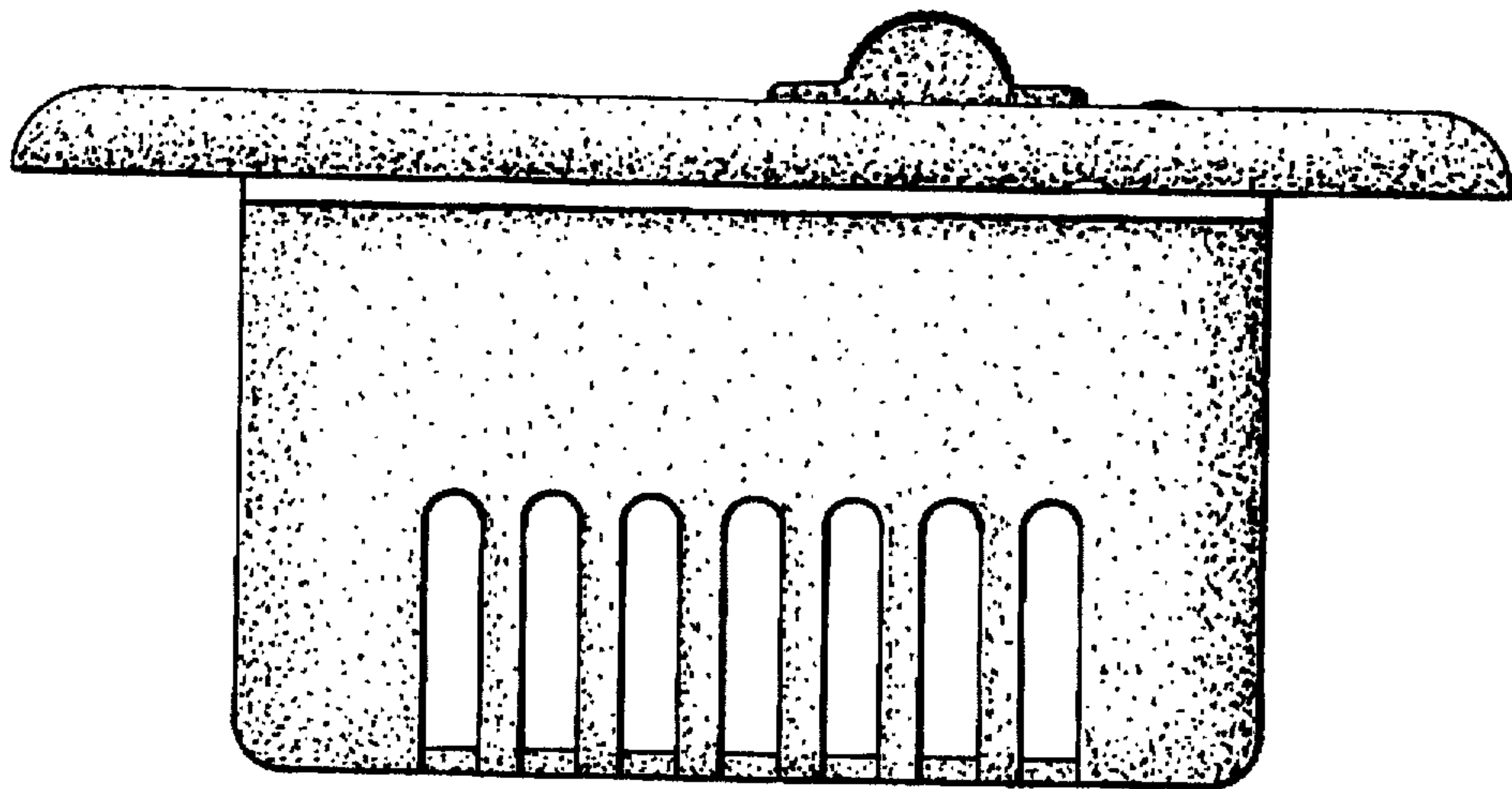


FIG. 2

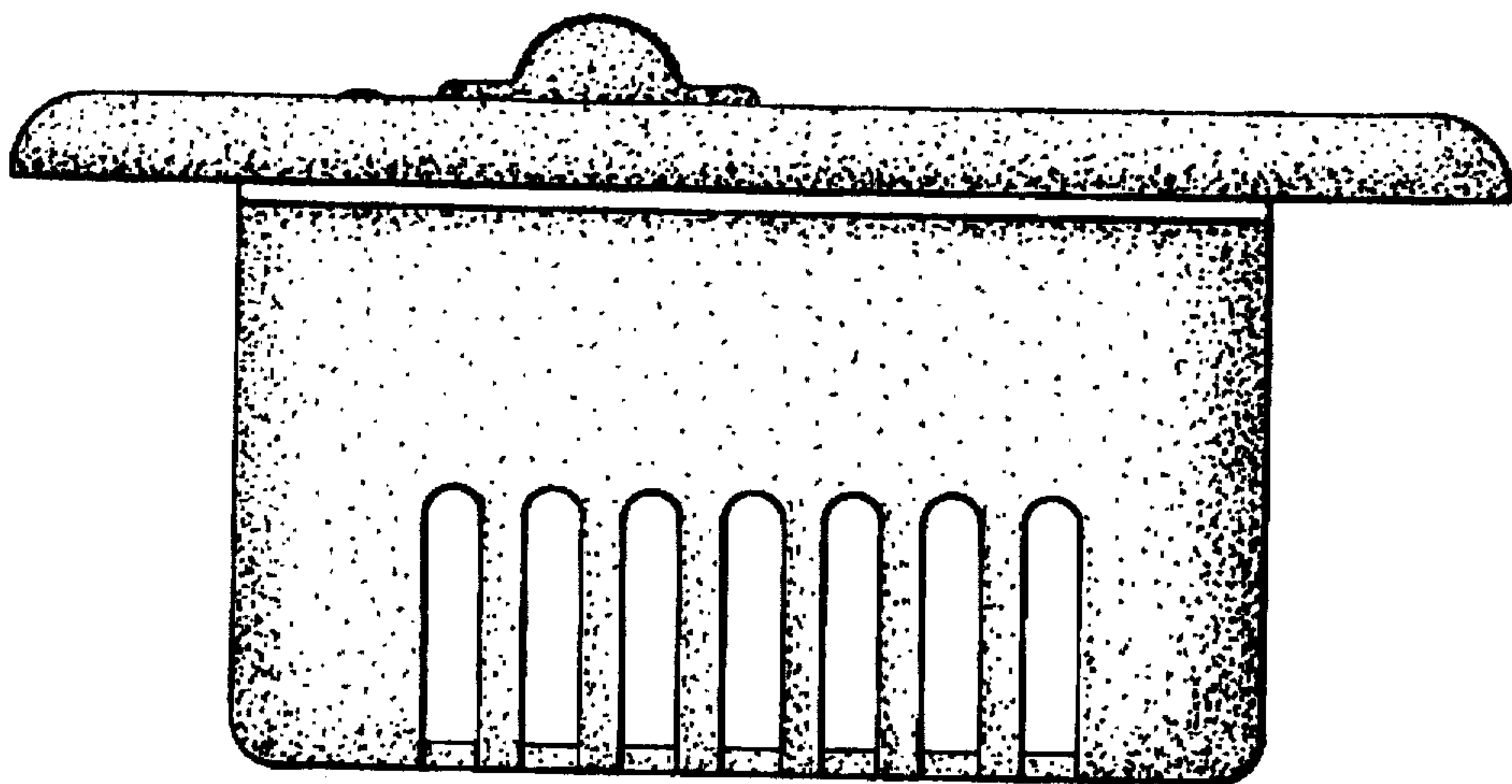


FIG. 3

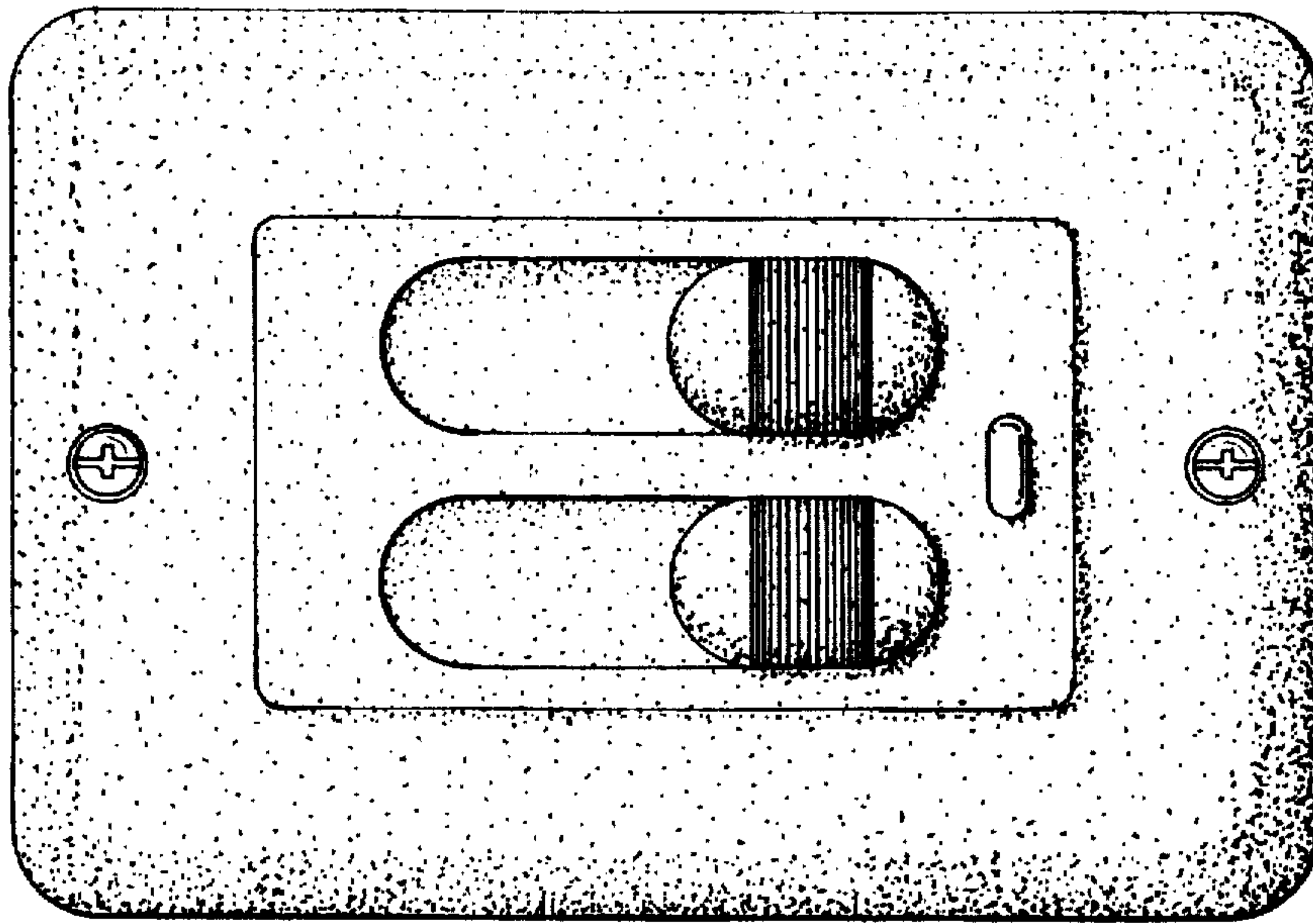


FIG. 4

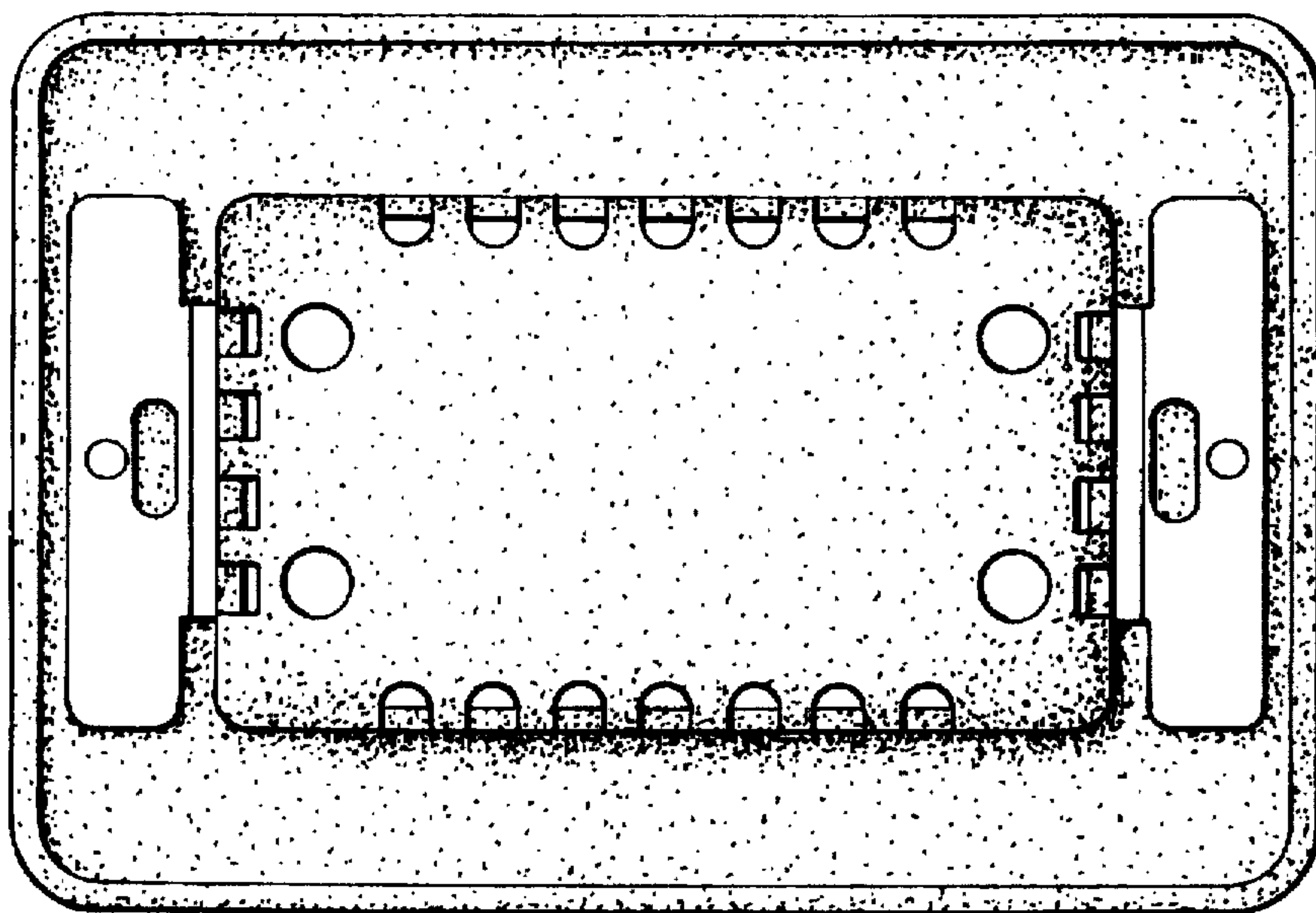


FIG. 5

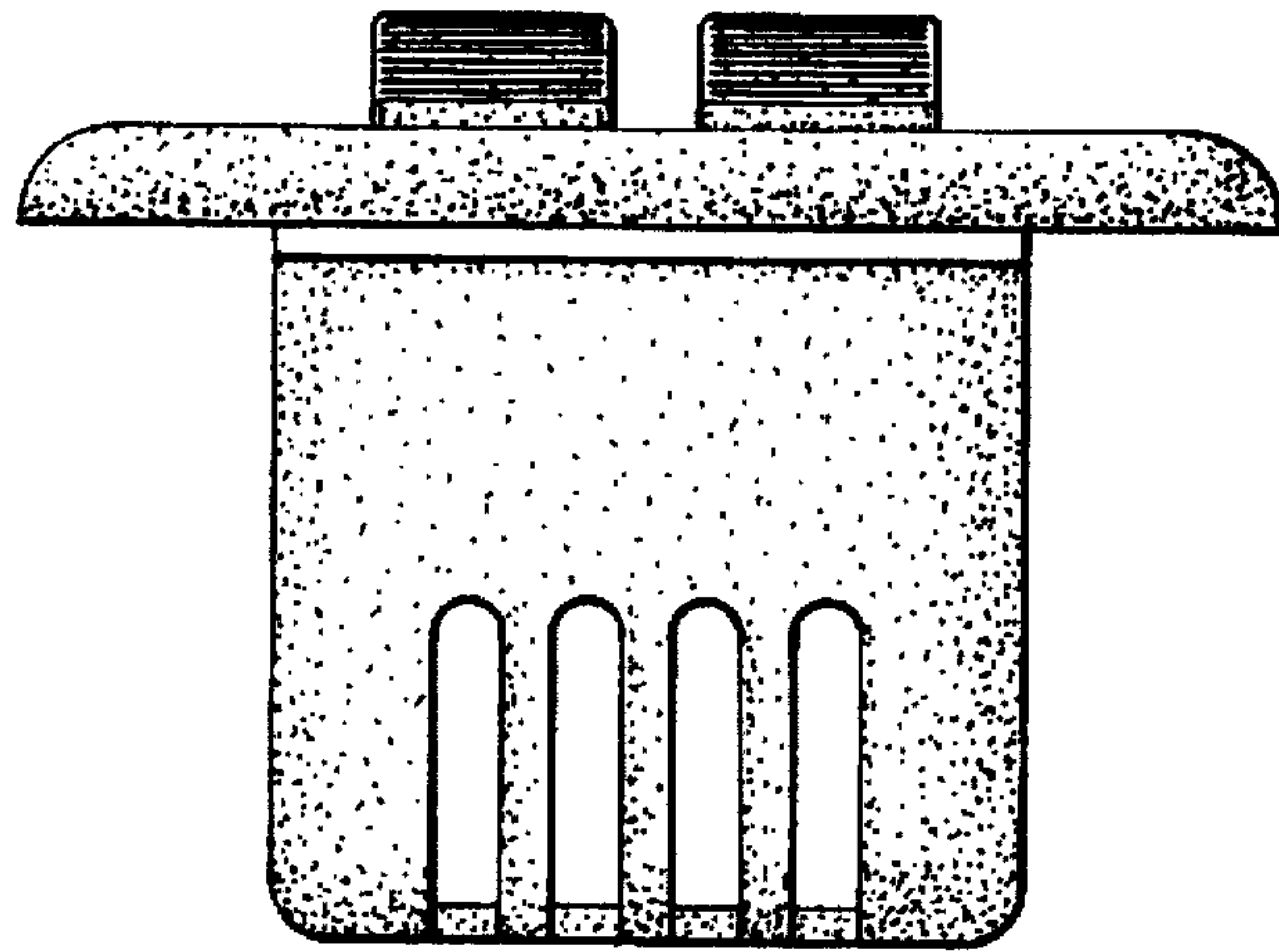


FIG. 6

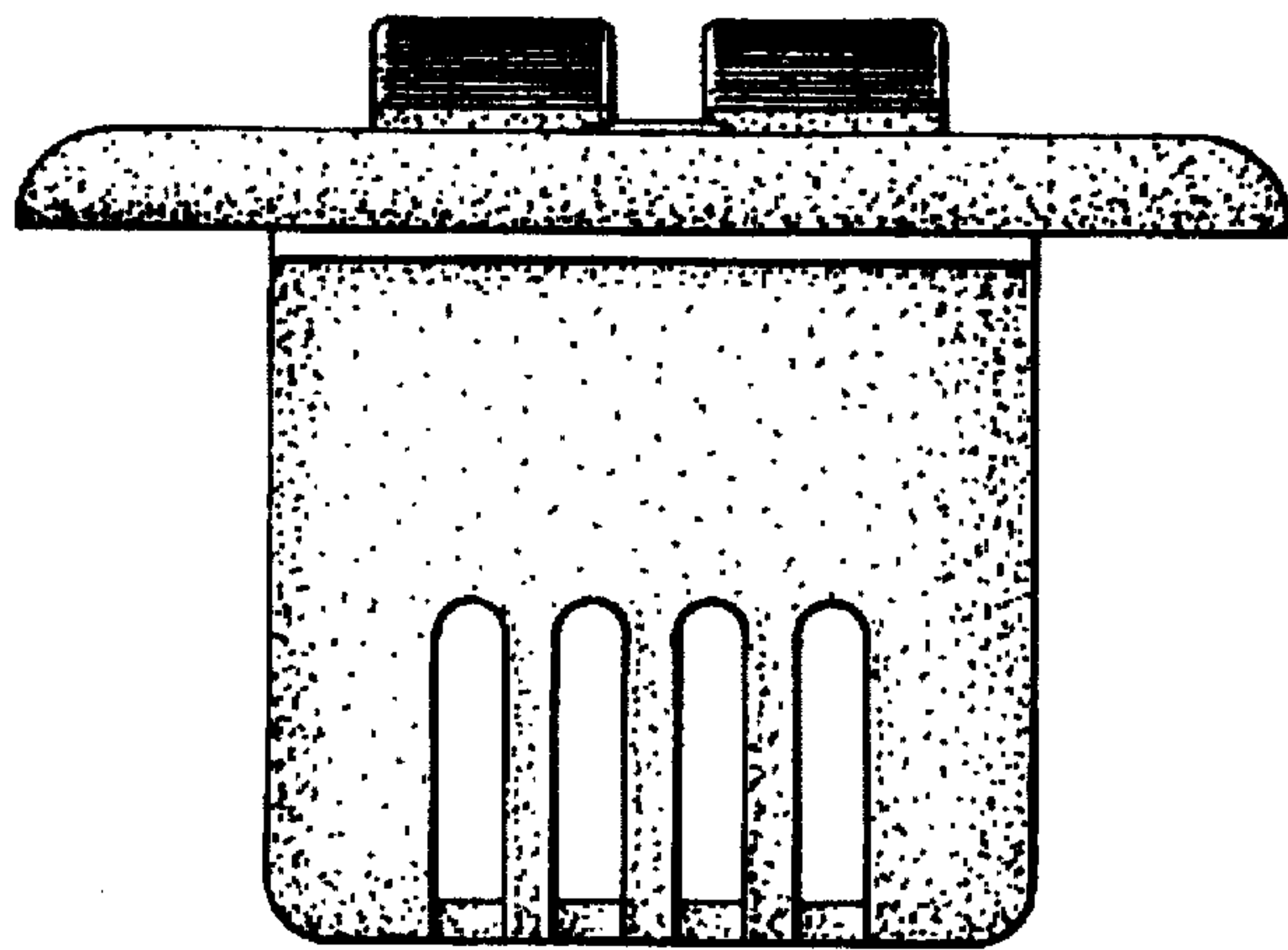


FIG. 7