



US00D384035S

United States Patent [19]

Kuprewicz et al.

[11] Patent Number: Des. 384,035

[45] Date of Patent: **Sep. 23, 1997

[54] **FIBER OPTIC CONNECTOR JACK**

[75] Inventors: **Ralph J. Kuprewicz**, Norridge;
Randall D. Gritters, Lansing; **Richard L. Akins**, Wheaton, all of Ill.

[73] Assignee: **Panduit Corp.**, Tinley Park, Ill.

[**] Term: **14 Years**

[21] Appl. No.: **51,486**

[22] Filed: **Mar. 11, 1996**

[51] LOC (6) Cl. **13-03**

[52] U.S. Cl. **D13/133**

[58] Field of Search **D13/133, 146;**
D14/256; 385/53-55, 76-78; 439/595, 668,
669, 752, 596, 597, 600, 603

[56] **References Cited**

U.S. PATENT DOCUMENTS

D. 246,852	1/1978	Deitch	D13/133 X
D. 293,313	12/1987	Justiano et al.	D13/133
4,291,943	9/1981	Binek et al. .	
4,711,508	12/1987	Sueyoshi	439/595
4,875,881	10/1989	Caveney et al. .	
4,975,078	12/1990	Stroede et al. .	

4,979,793	12/1990	Bowen et al. .
5,118,310	6/1992	Stroede et al. .
5,287,425	2/1994	Chang .
5,381,498	1/1995	Bylander .

Primary Examiner—A. Hugo Word
Assistant Examiner—Lavone Tabor
Attorney, Agent, or Firm—Mark D. Hilliard; Robert A. McCann

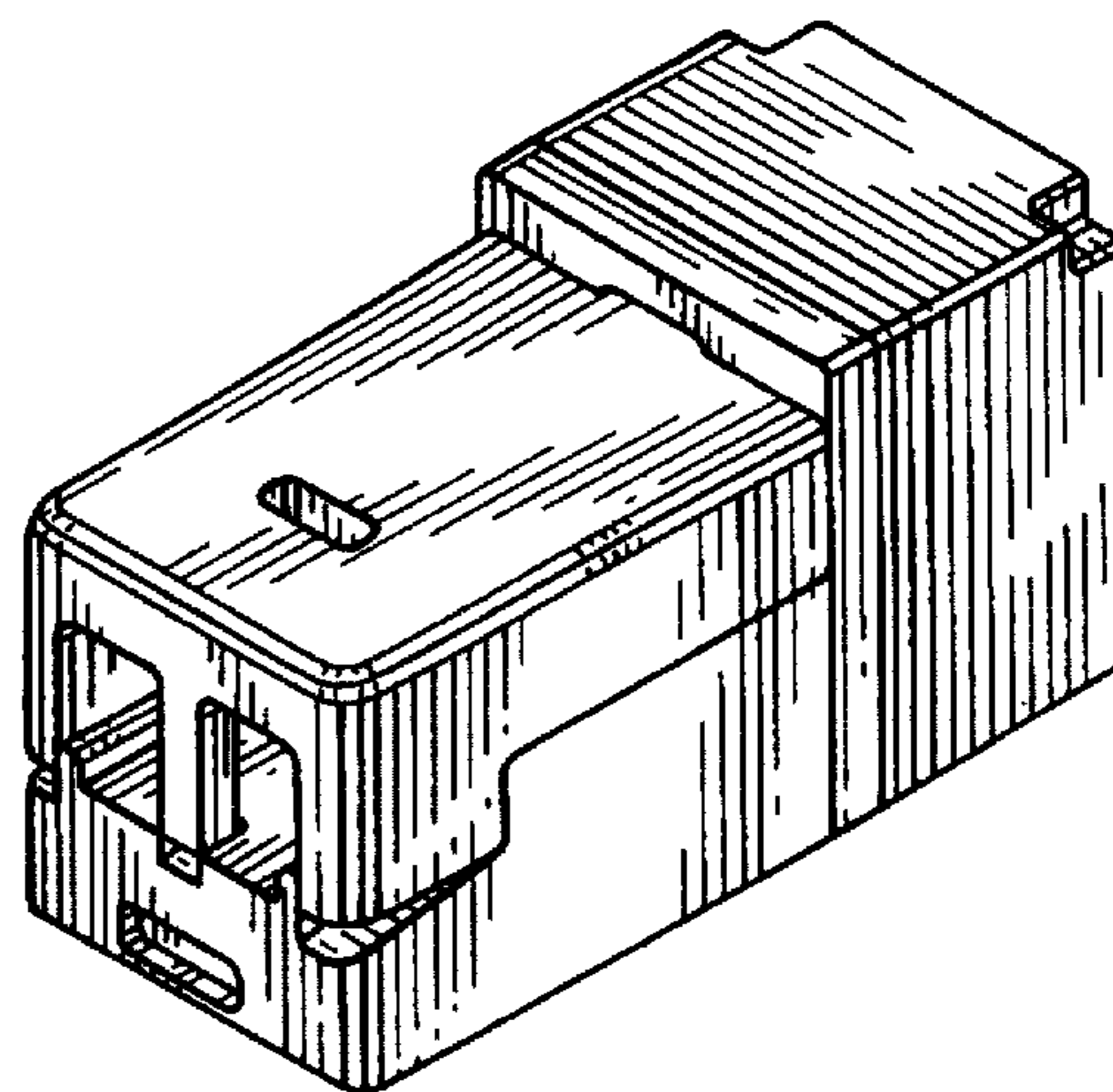
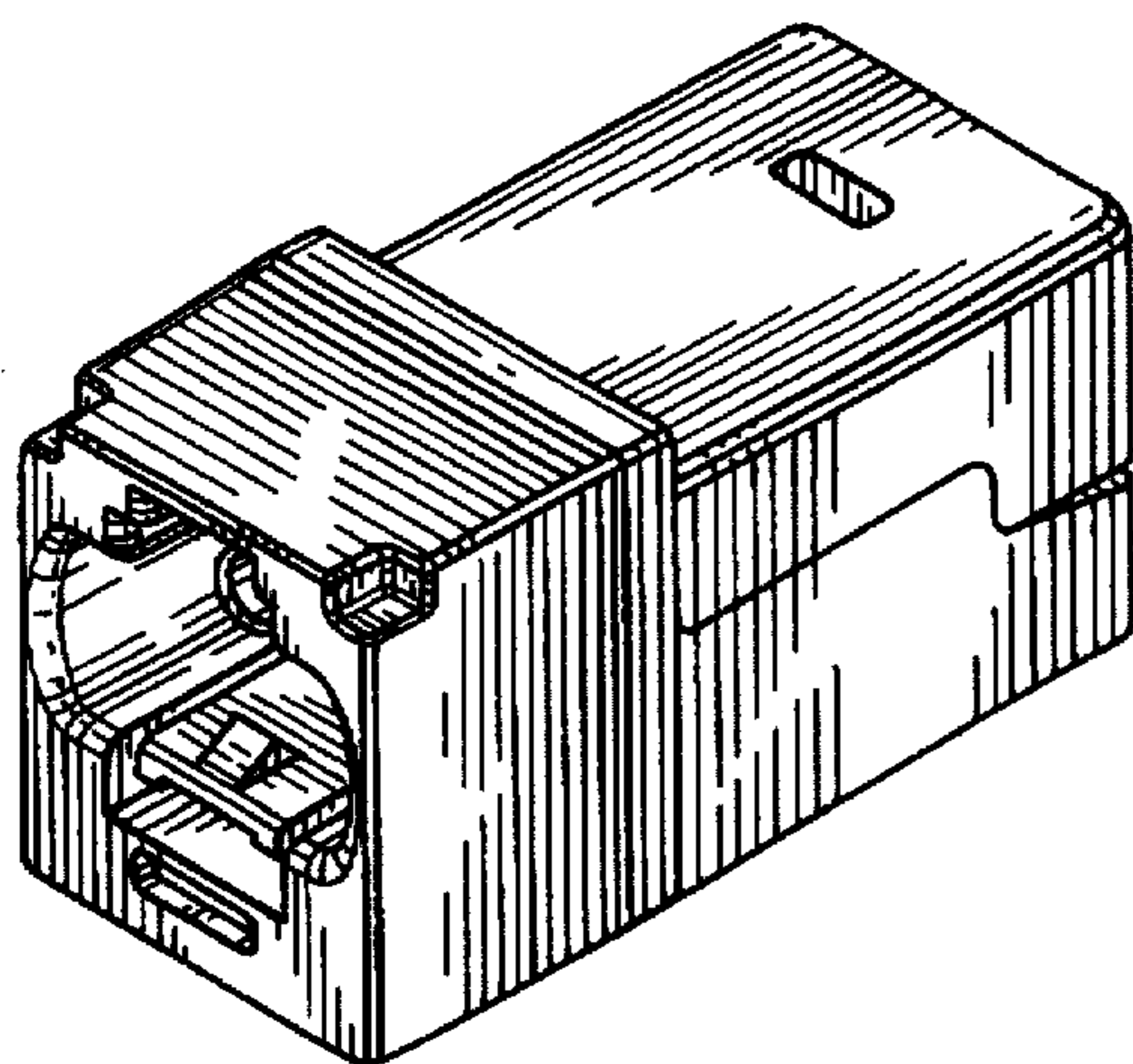
[57] **CLAIM**

The ornamental design for a fiber optic connector jack, as shown and described.

DESCRIPTION

FIG. 1 is a front perspective view of a fiber optic connector jack showing our new design;
FIG. 2 is a rear perspective view of a fiber optic connector jack showing our new design;
FIG. 3 is a front elevational view thereof;
FIG. 4 is a rear elevational view thereof;
FIG. 5 is a side elevational view, the opposite side is a mirror image;
FIG. 6 is a top plan view thereof; and,
FIG. 7 is a bottom elevational view thereof.

1 Claim, 2 Drawing Sheets



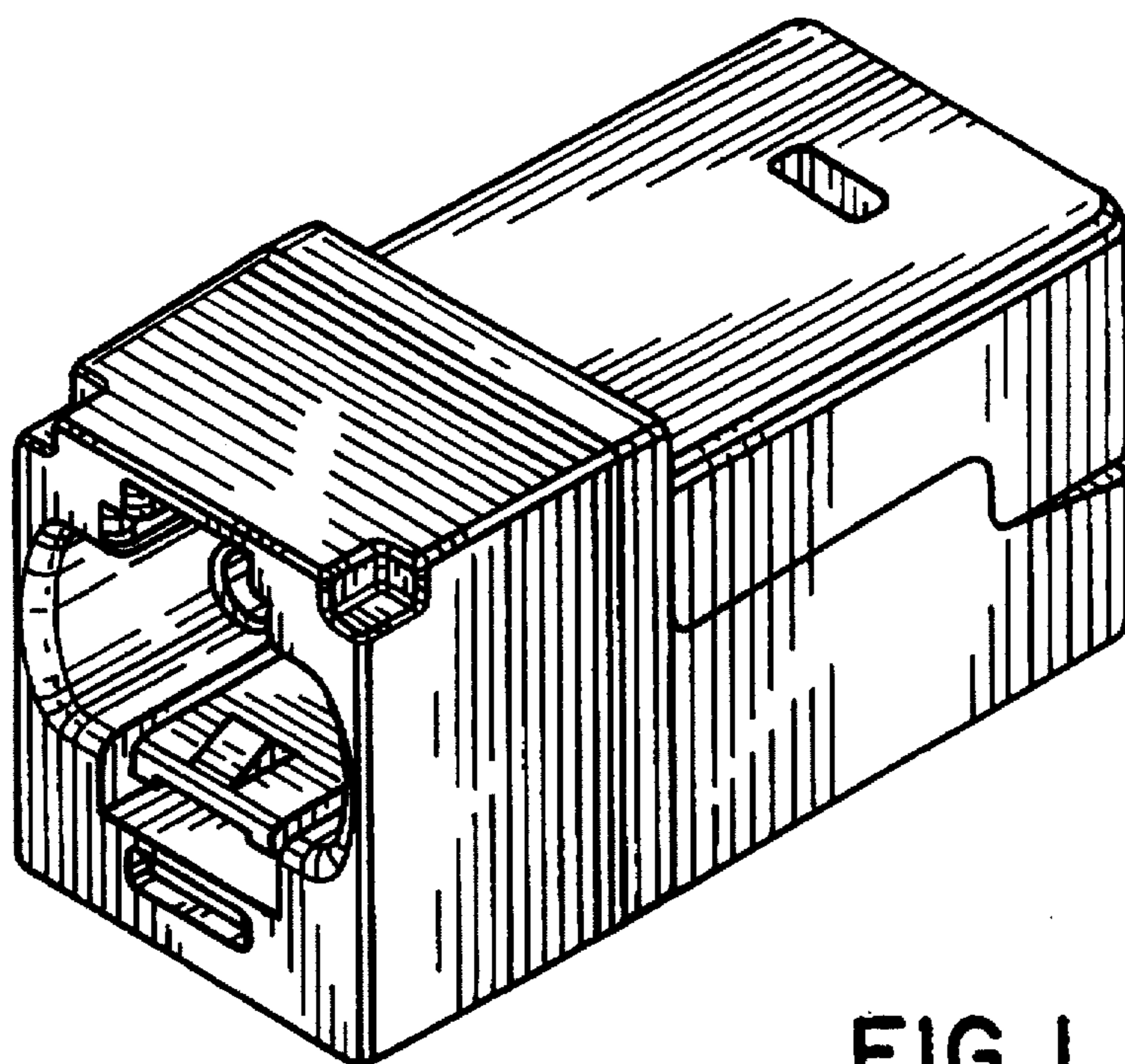


FIG. 1

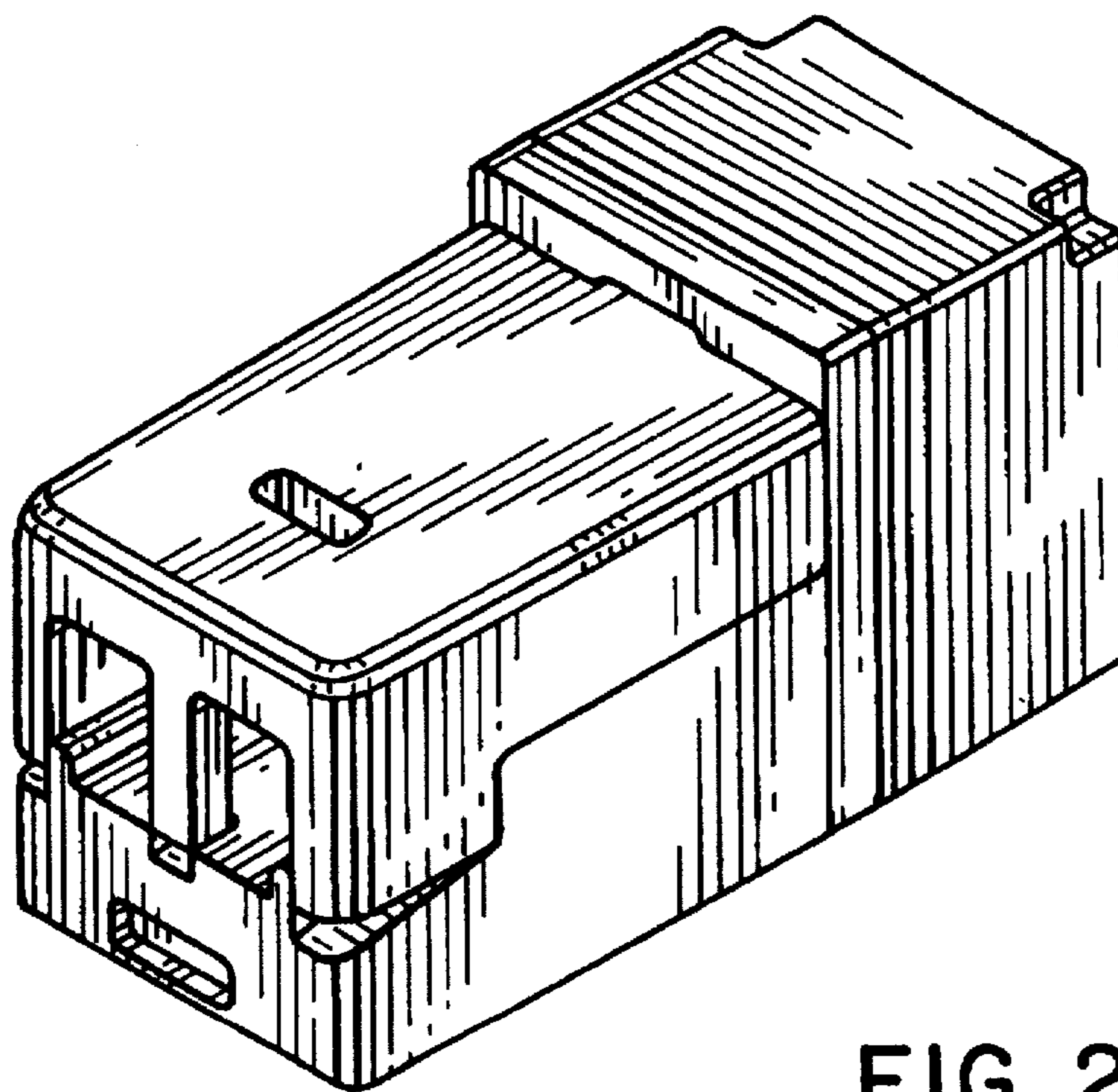


FIG. 2

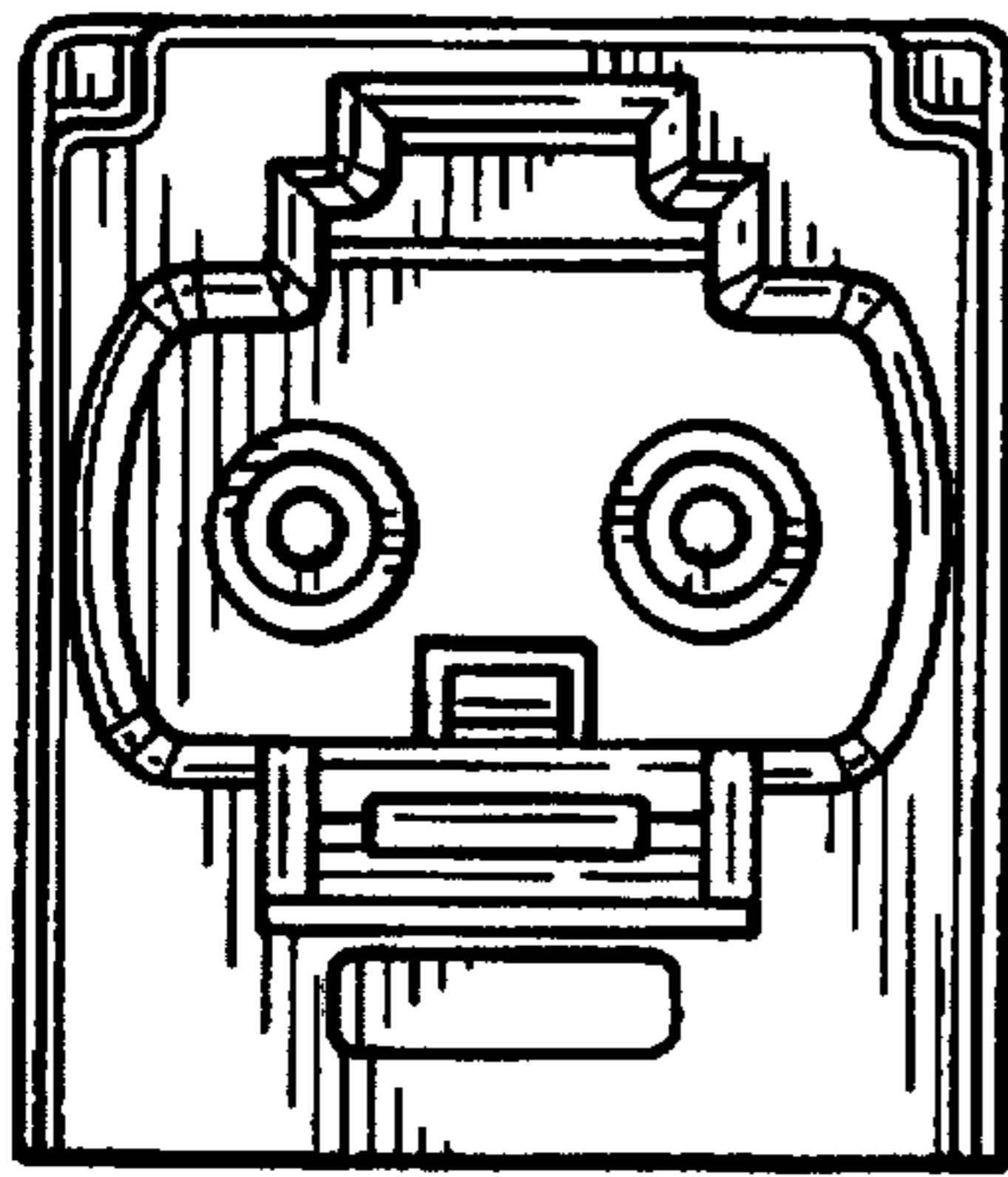


FIG. 3

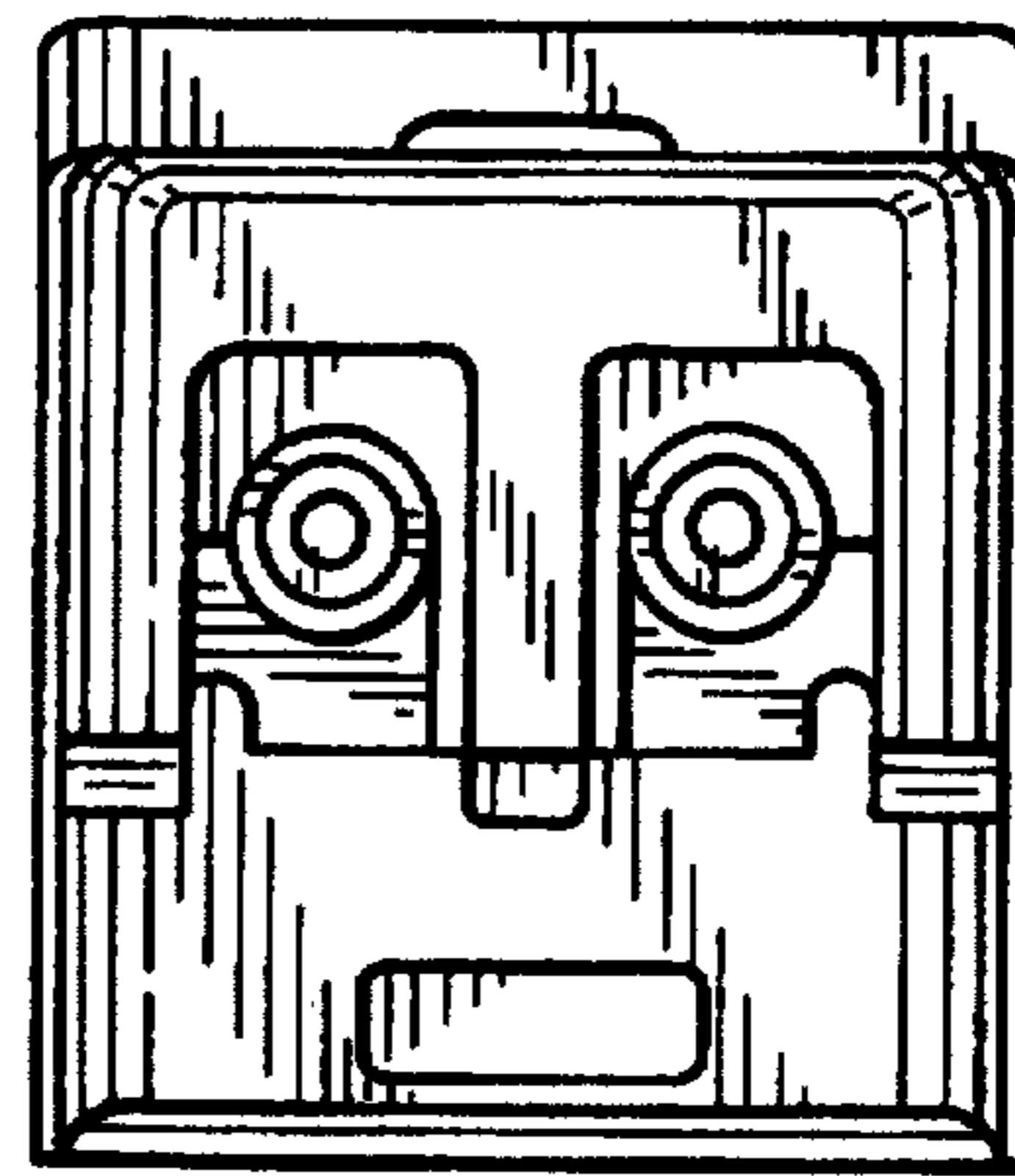


FIG. 4

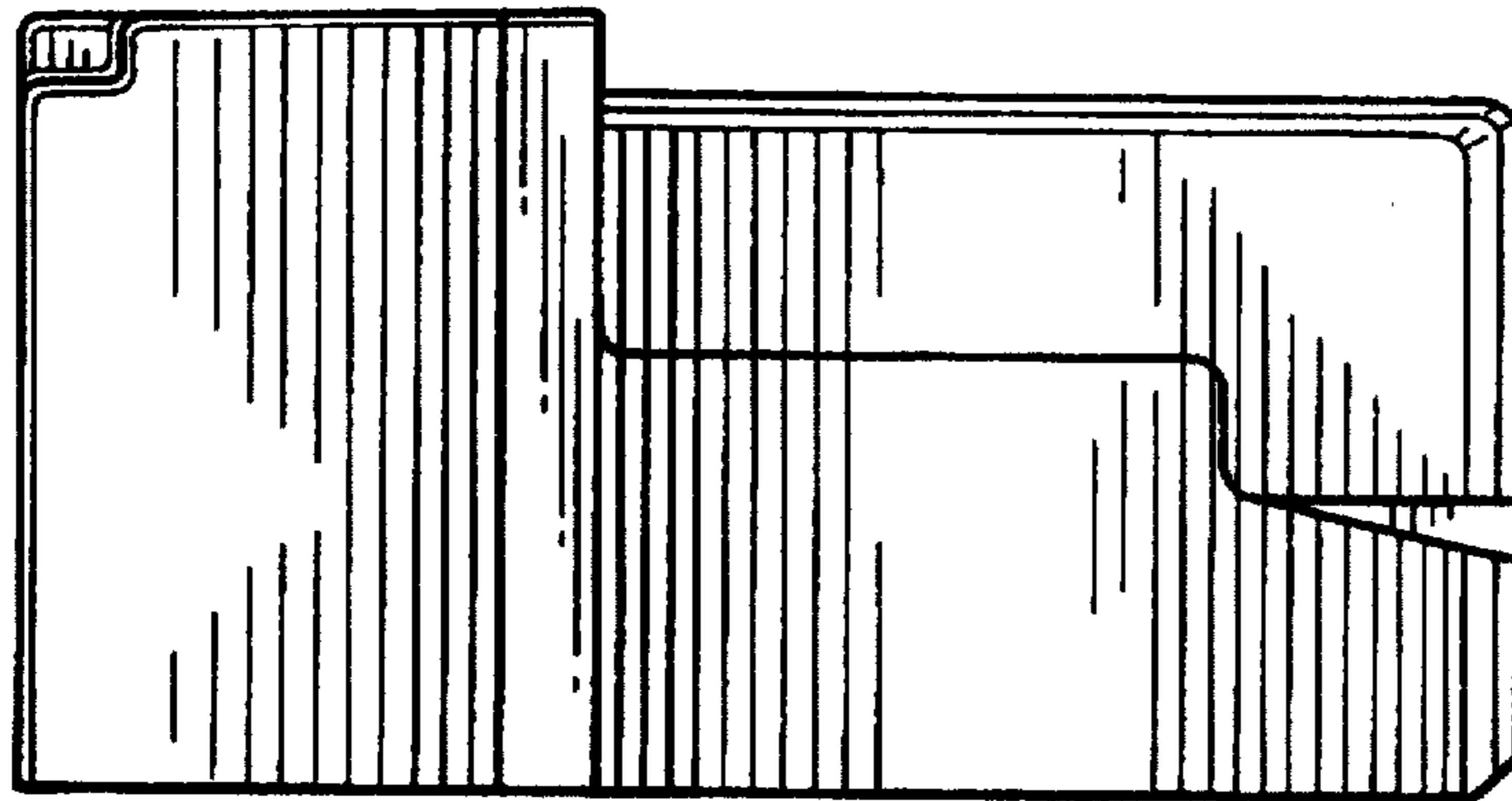


FIG. 5

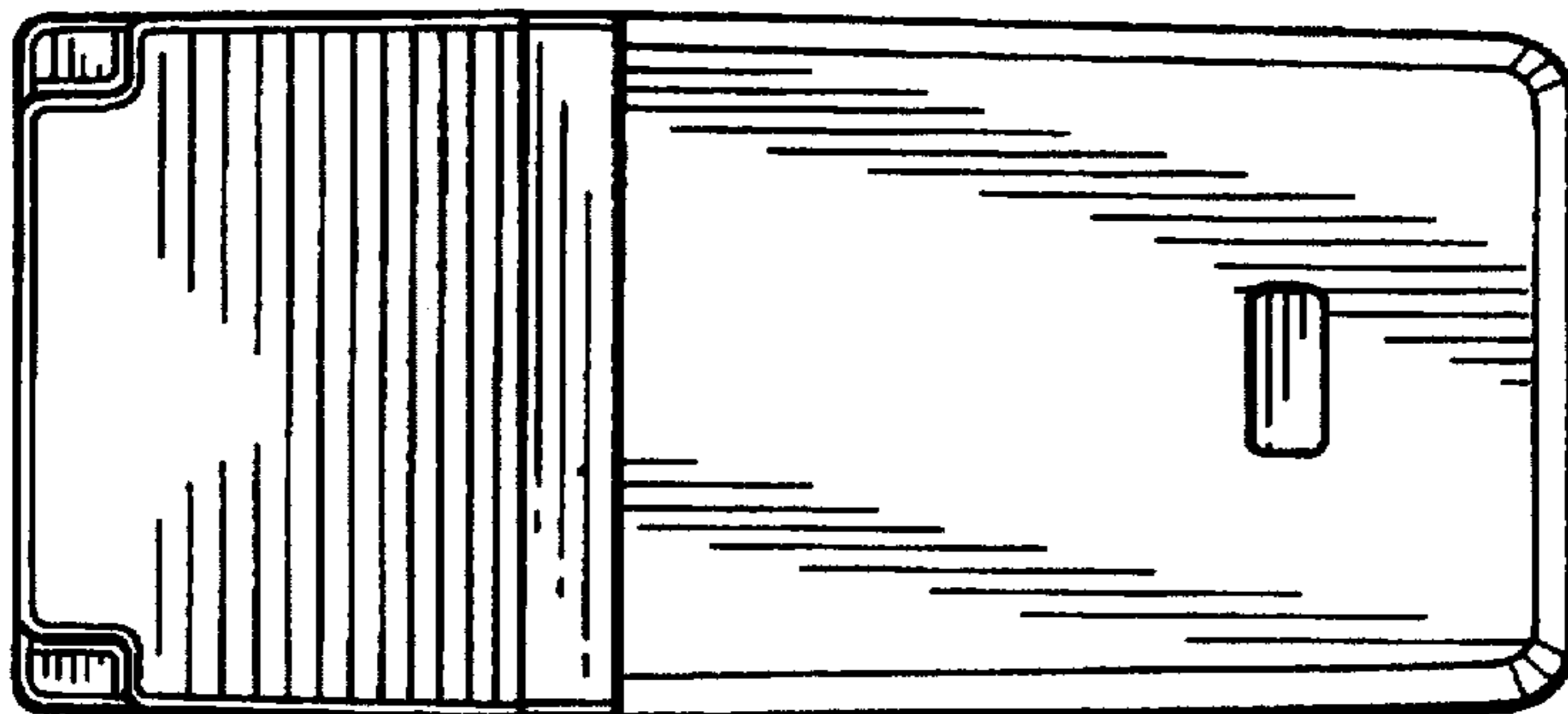


FIG. 6

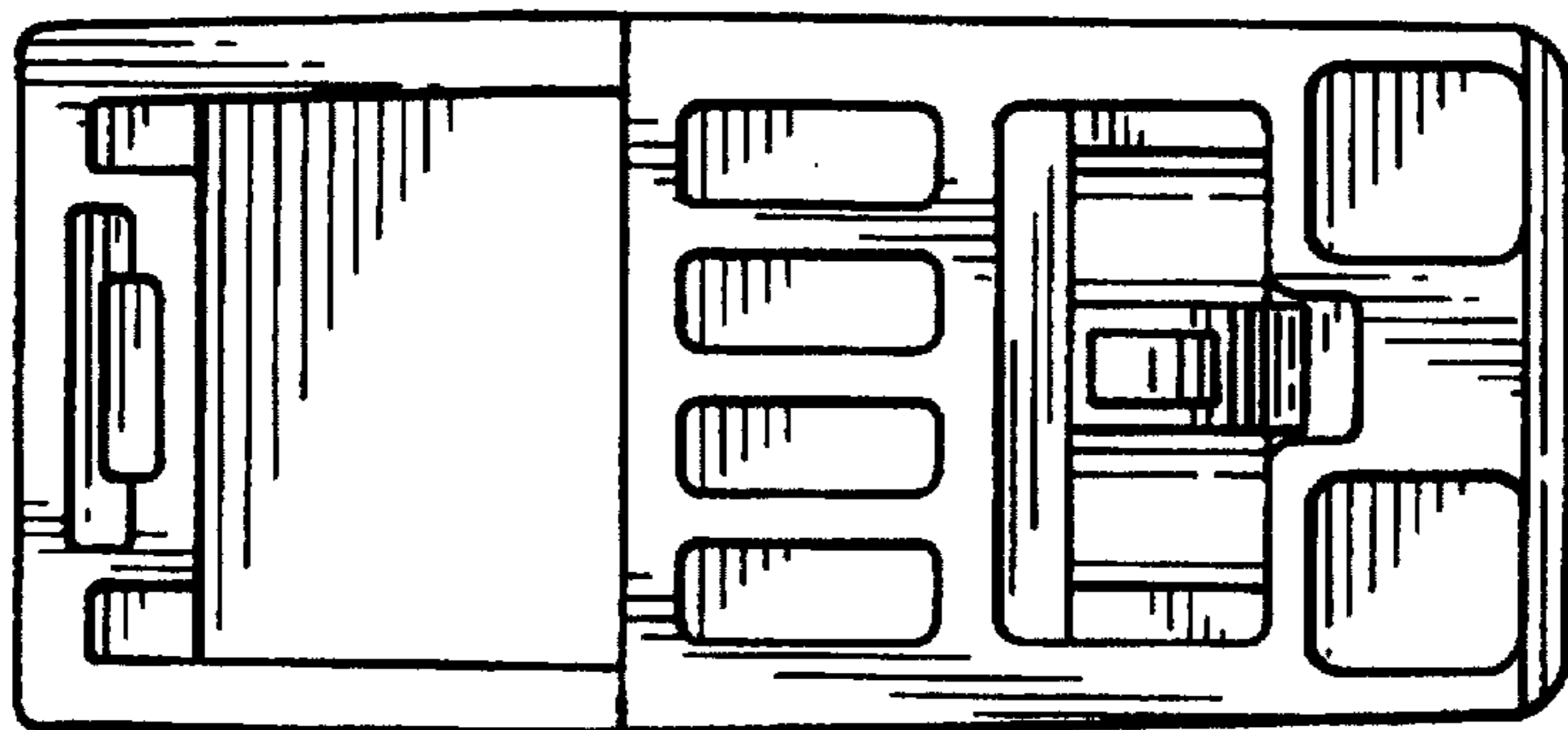


FIG. 7