

US00D384034S

United States Patent [19]

Kuprewicz et al.

[11] Patent Number: Des. 384,034

[45] Date of Patent: **Sep. 23, 1997

[54] FIBER OPTIC CONNECTOR PLUG

5,287,425 2/1994 Chang .
5,381,498 1/1995 Bylander .

[75] Inventors: **Ralph J. Kuprewicz**, Norridge;
Randall D. Gritters, Lansing; **Richard L. Akins**, Wheaton, all of Ill.

FOREIGN PATENT DOCUMENTS

58-58510 4/1983 Japan .

[73] Assignee: **Panduit Corp.**, Tinley Park, Ill.

Primary Examiner—A. Hugo Word
Assistant Examiner—Lavone Tabor
Attorney, Agent, or Firm—Mark D. Hilliard; Robert A. McCann

[**] Term: 14 Years

[21] Appl. No.: 51,418

[57] CLAIM

[22] Filed: Mar. 11, 1996

The ornamental design for a fiber optic connector plug, as shown and described.

[51] LOC (6) Cl. 13-03

[52] U.S. Cl. D13/133

[58] Field of Search D13/133, 146;
385/53-55, 76-78; 439/595, 668, 669, 752,
596, 597, 600, 603

DESCRIPTION

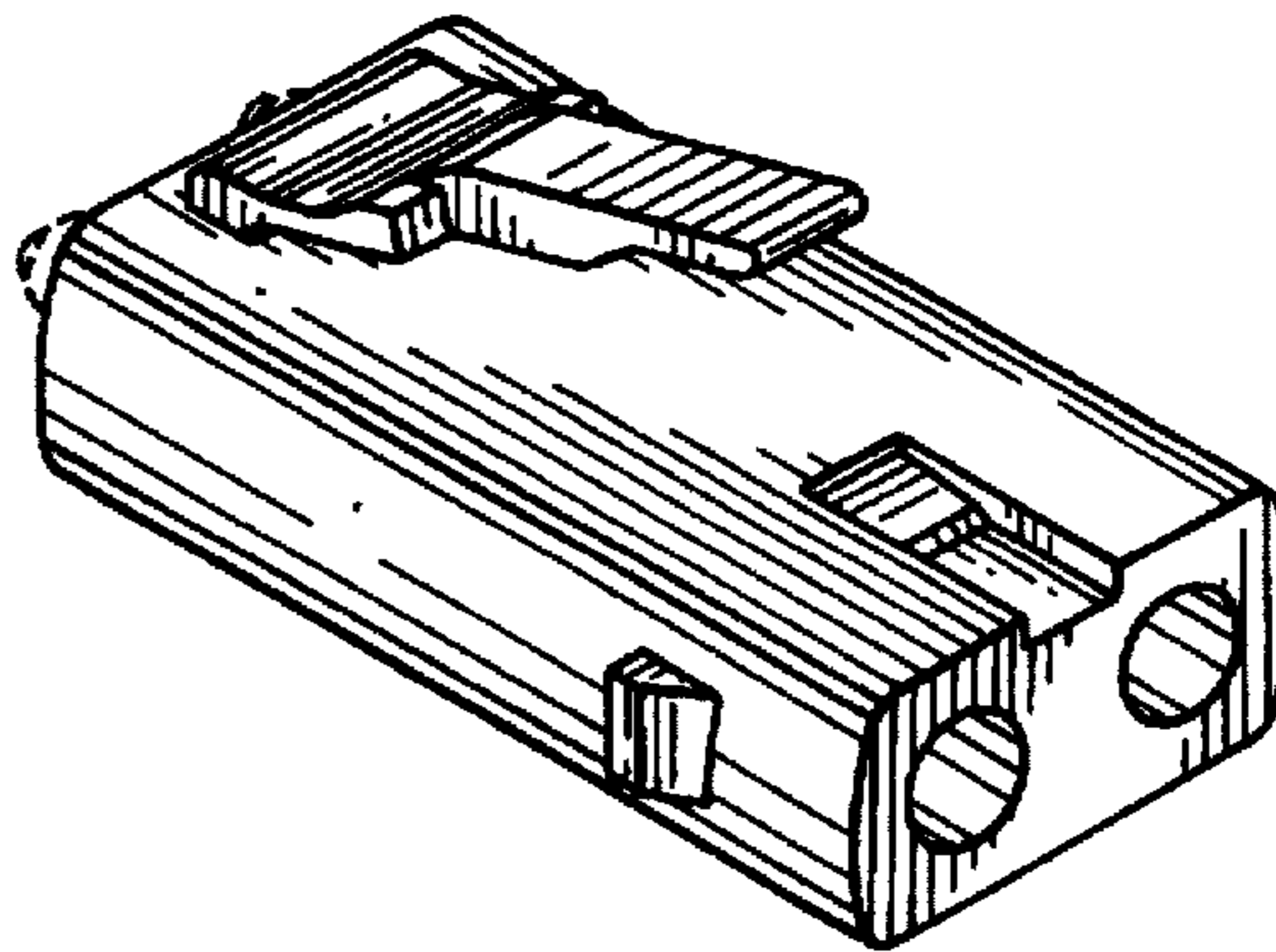
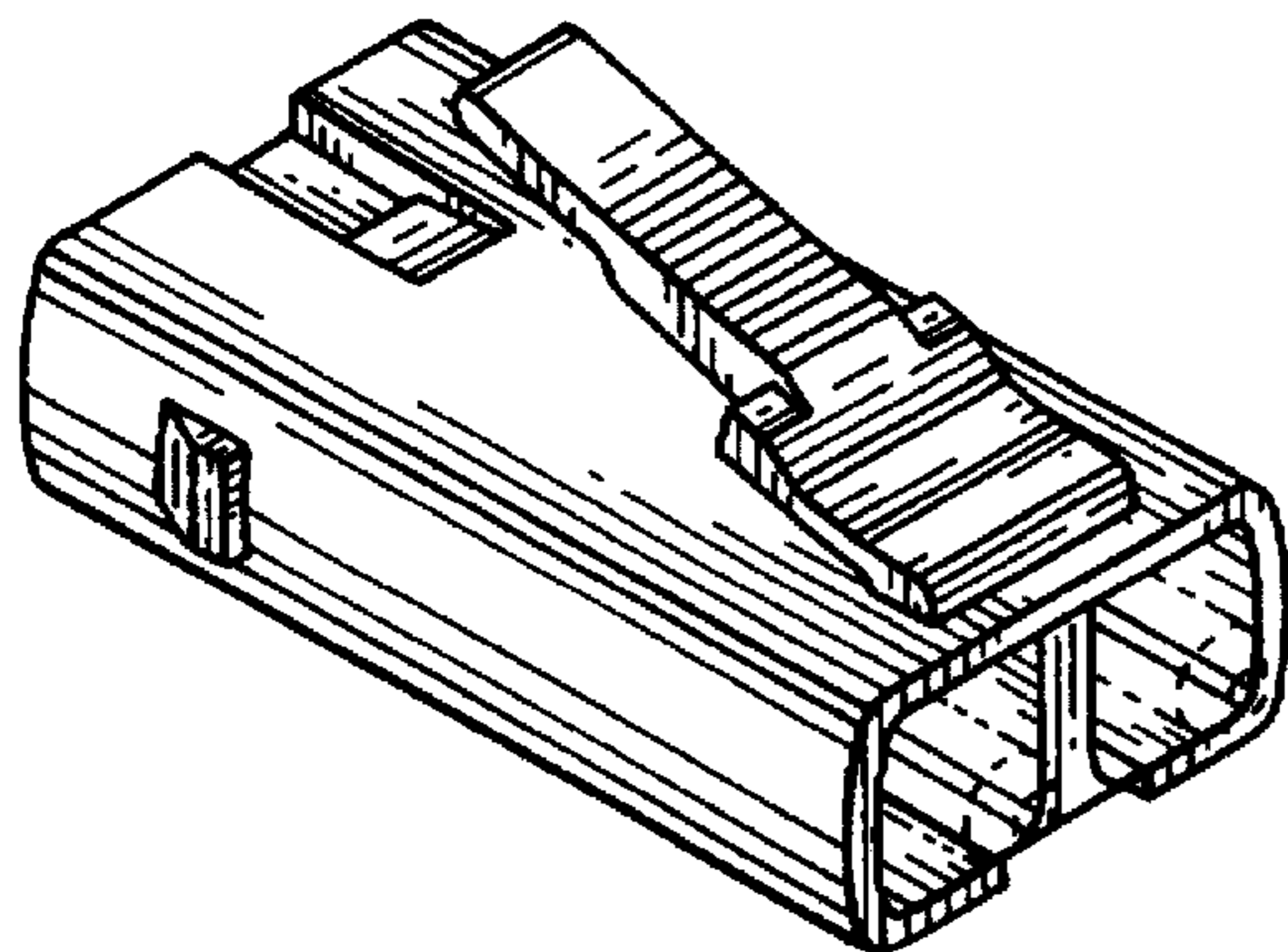
[56] References Cited

U.S. PATENT DOCUMENTS

D. 253,409	11/1979	Voelkert	D13/133
D. 293,313	12/1987	Justiano et al.	D13/133
4,291,943	9/1981	Binek et al.	..	
4,611,887	9/1986	Glover et al.	..	
4,711,508	12/1987	Sueyoshi	439/595
4,872,736	10/1989	Myers et al.	..	
4,979,793	12/1990	Bowen et al.	..	
5,016,968	5/1991	Hammond et al.	..	
5,085,599	2/1992	Maejima et al.	439/595

FIG. 1 is a front perspective view of a fiber optic connector plug showing our new design;
FIG. 2 is a rear perspective view of a fiber optic connector plug showing our new design;
FIG. 3 is a front elevational view thereof;
FIG. 4 is a rear elevational view thereof;
FIG. 5 is a side elevational view, the opposite side is a mirror image;
FIG. 6 is a top plan view thereof; and,
FIG. 7 is a bottom elevational view thereof.
The broken lines are for illustrative purposes only and forms no part of the claimed design.

1 Claim, 2 Drawing Sheets



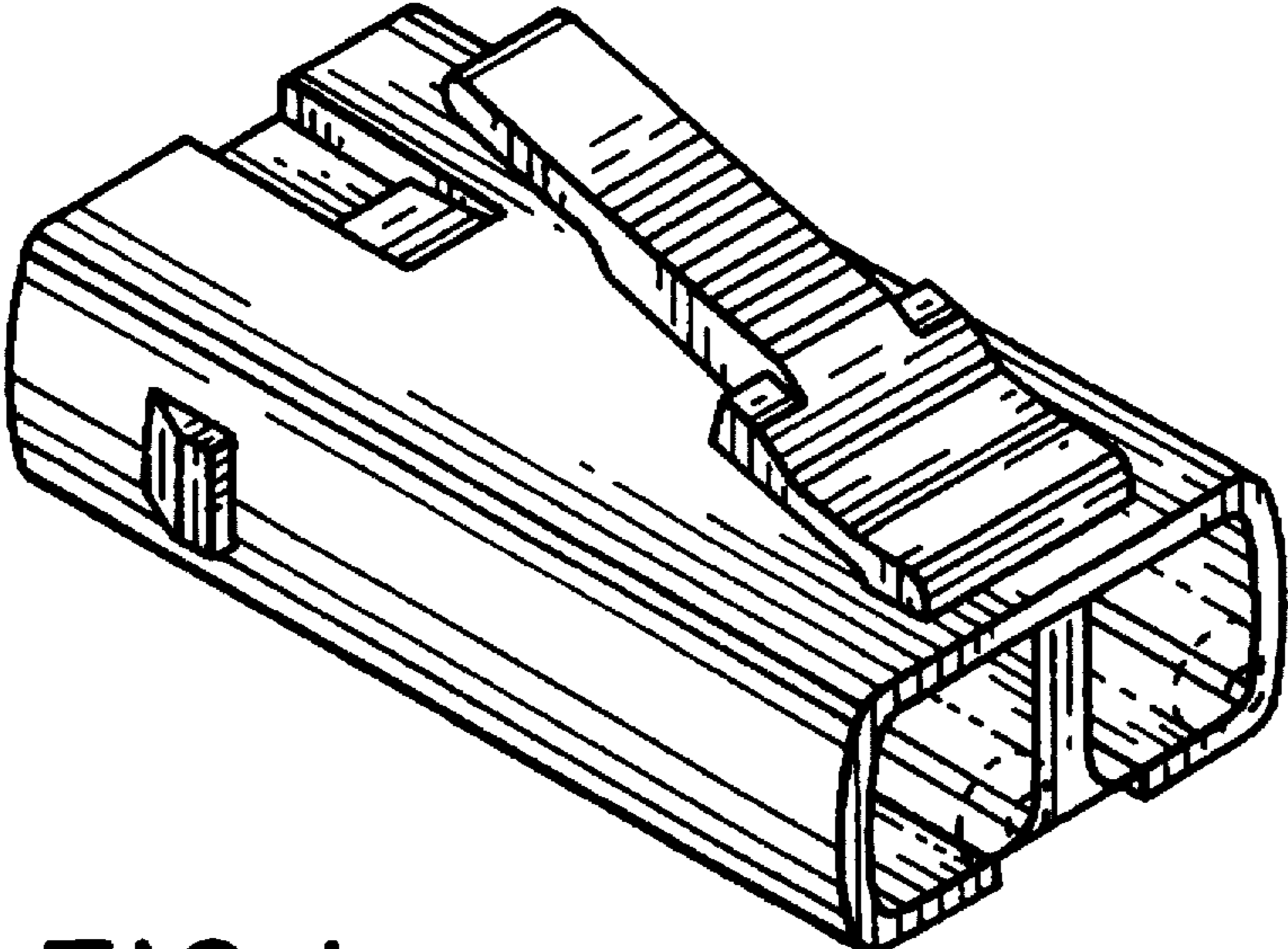


FIG. 1

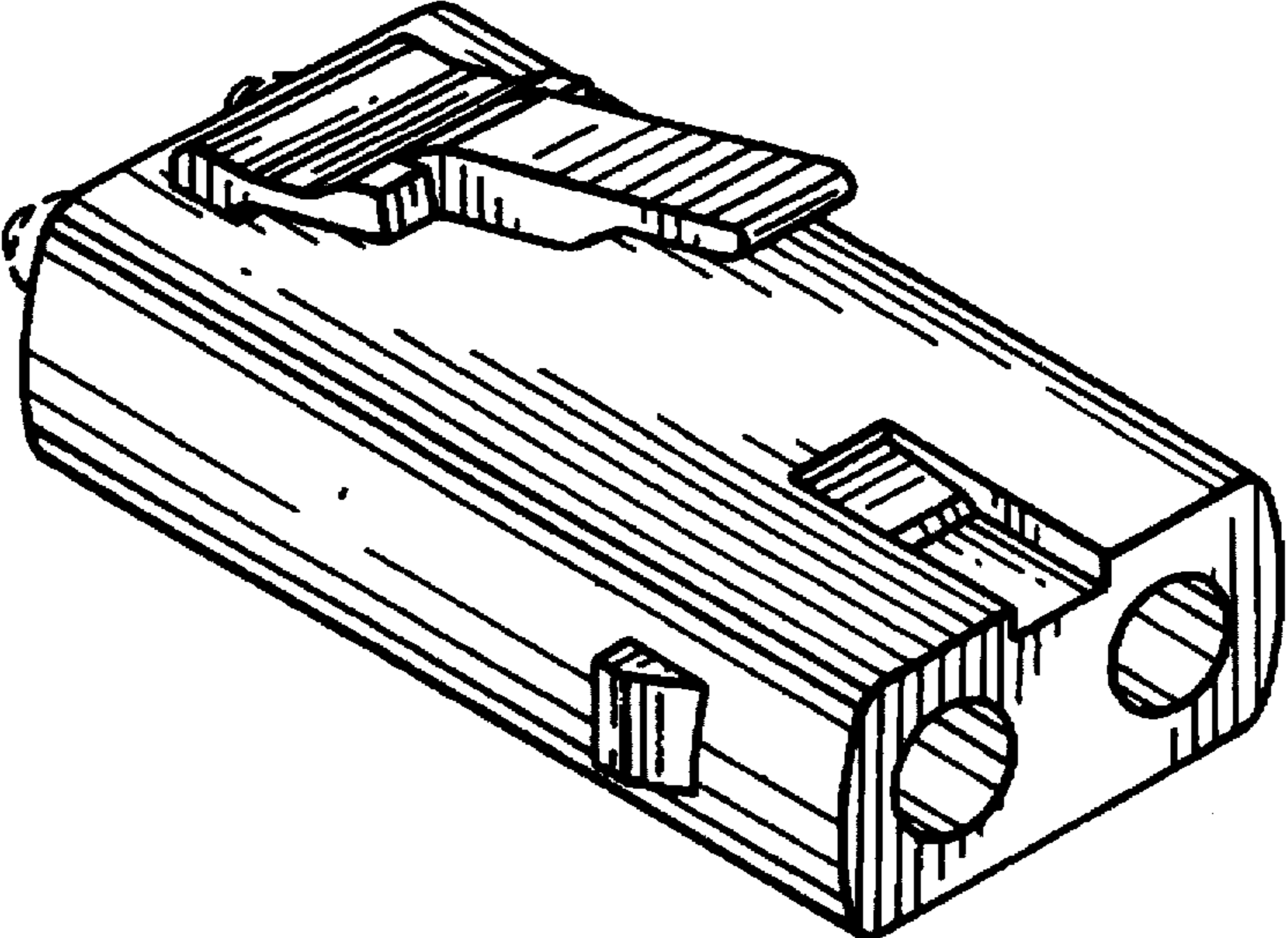


FIG. 2

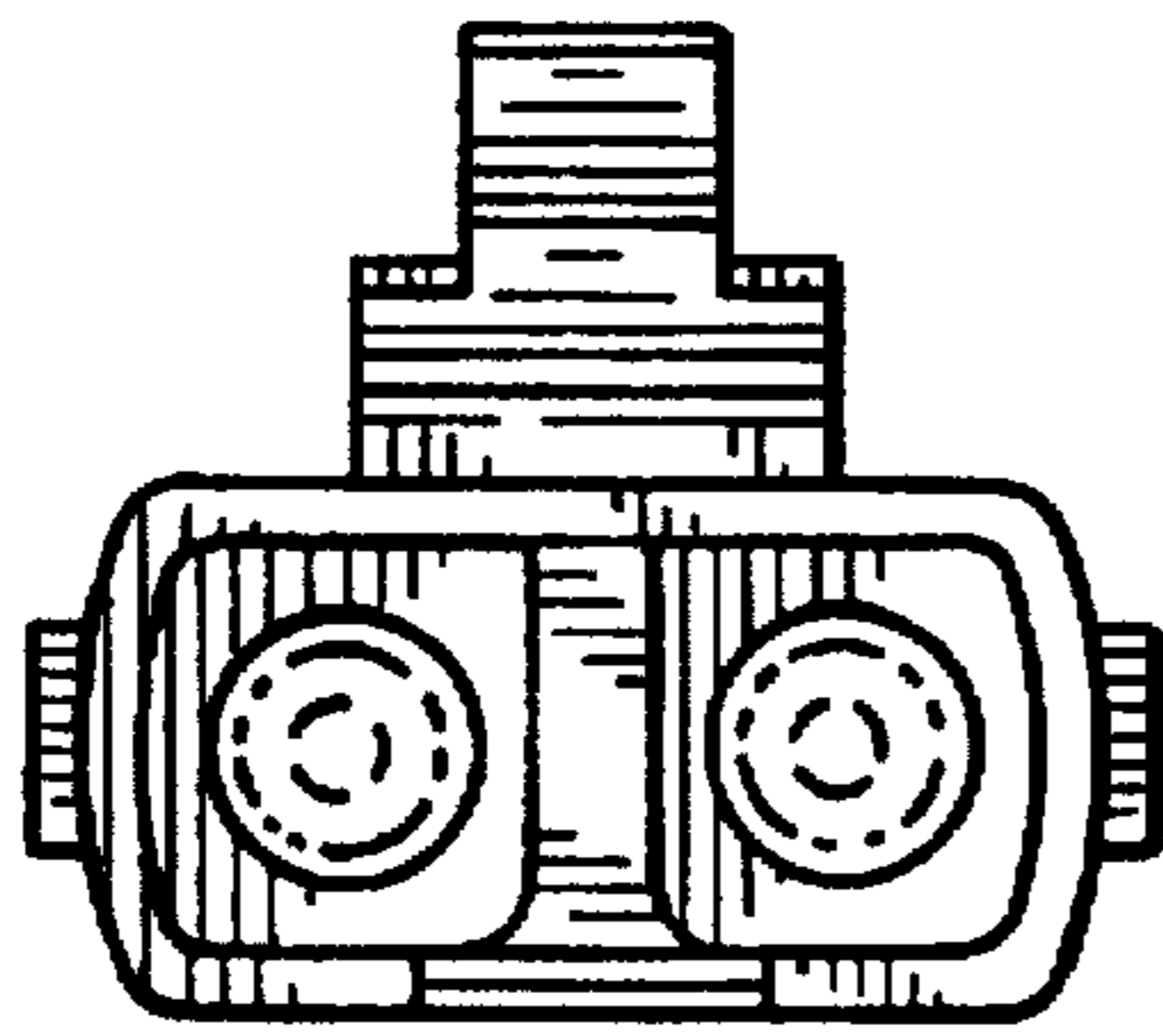


FIG. 3

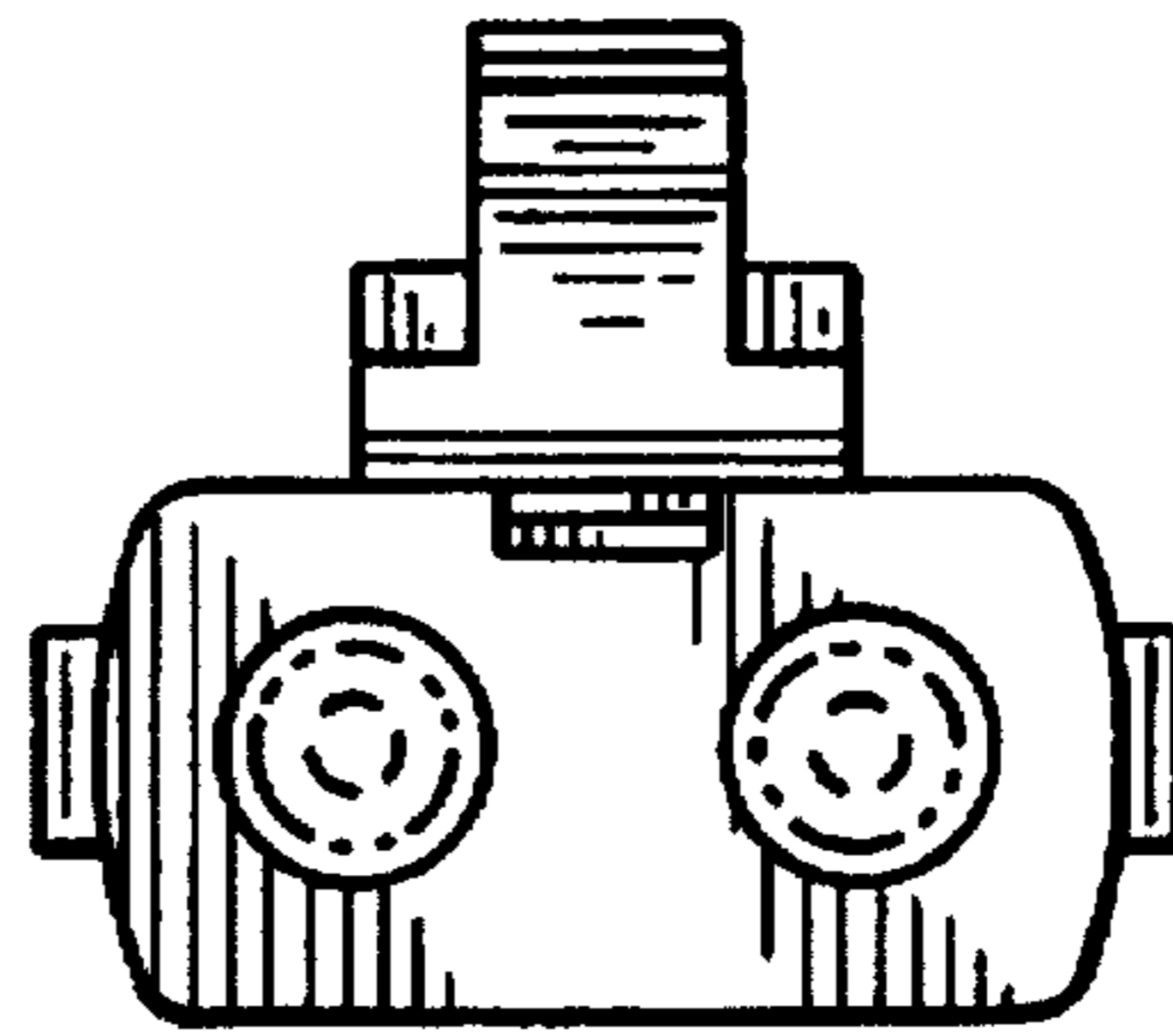


FIG. 4

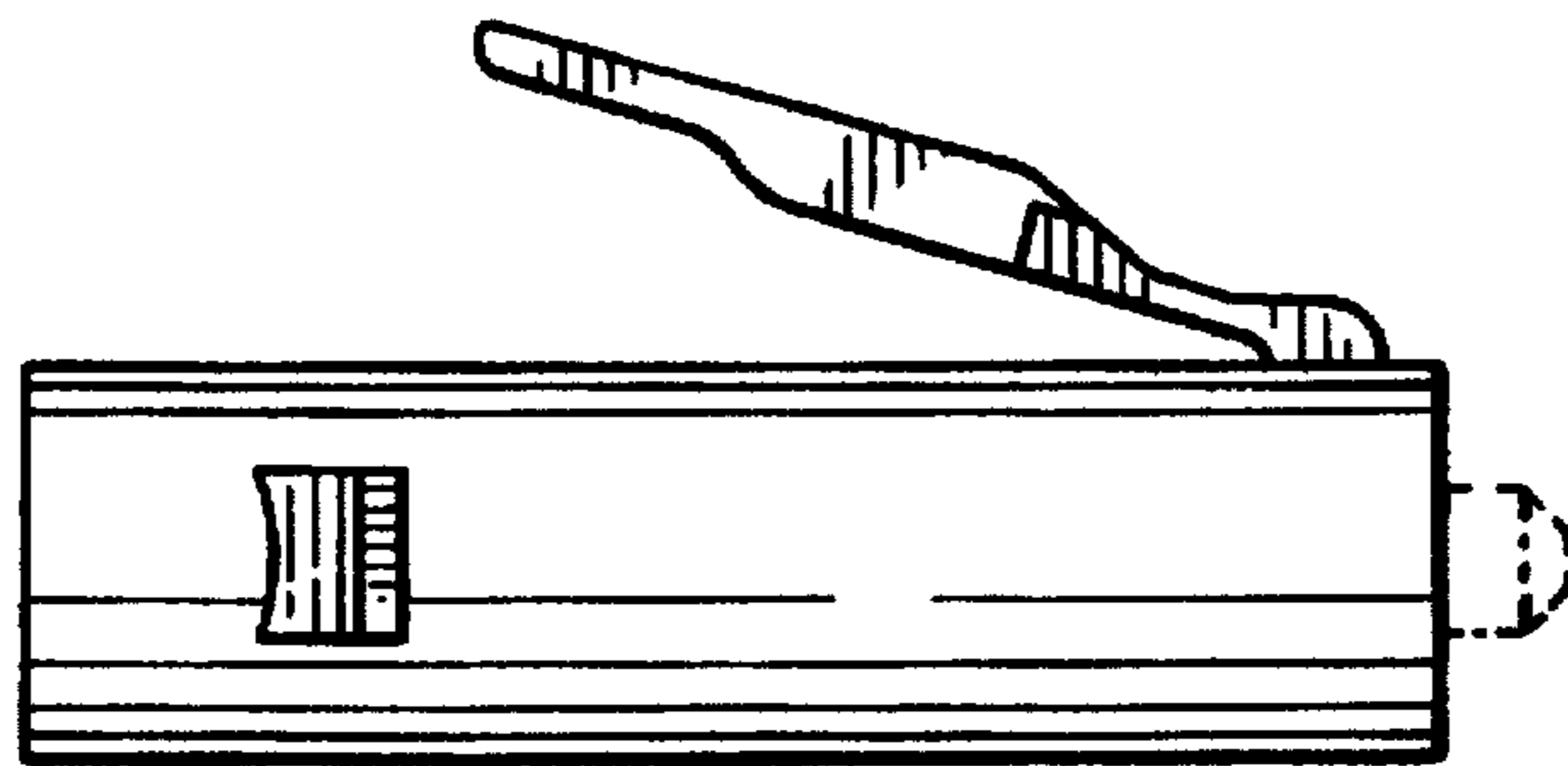


FIG. 5

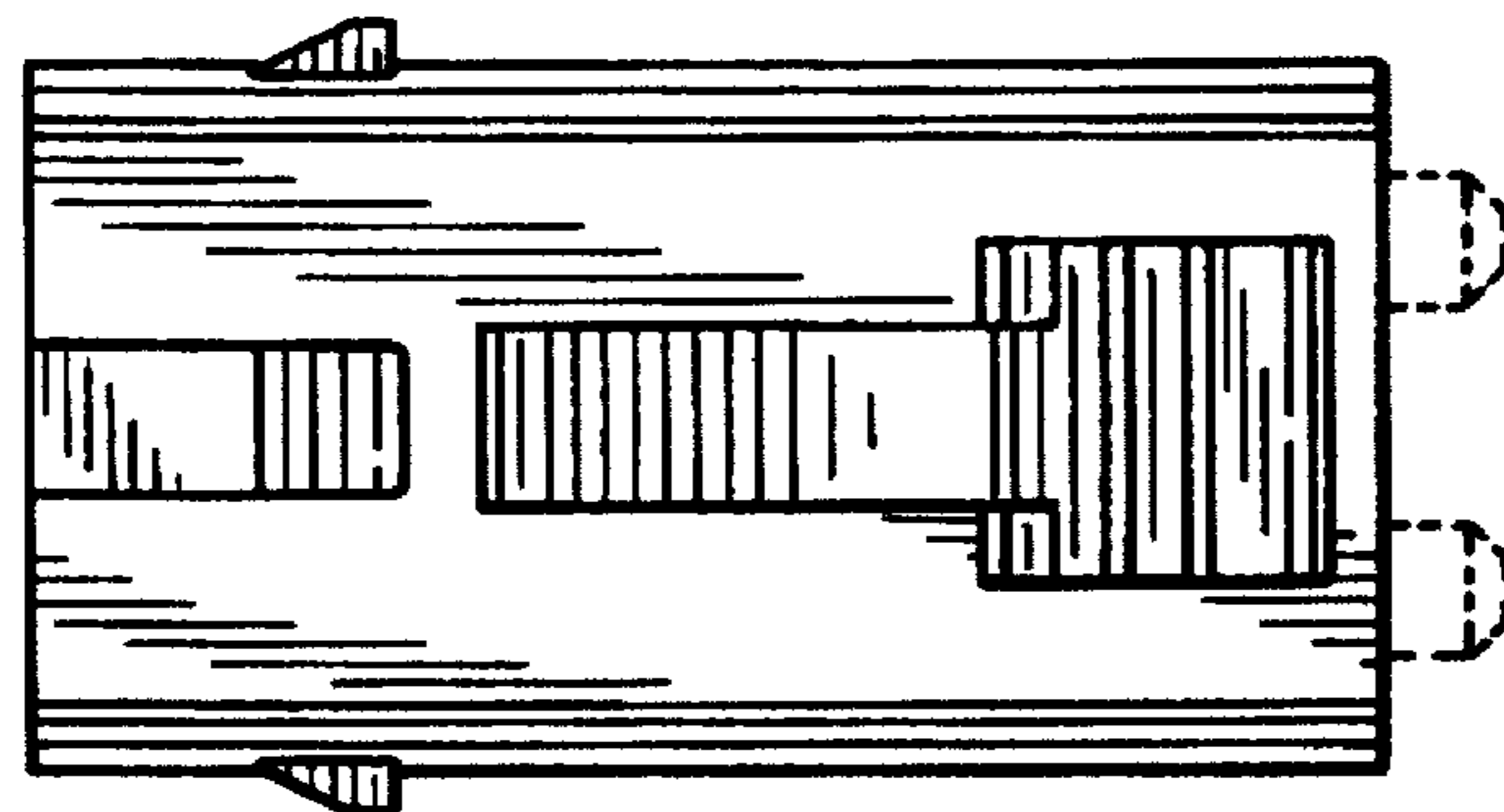


FIG. 6

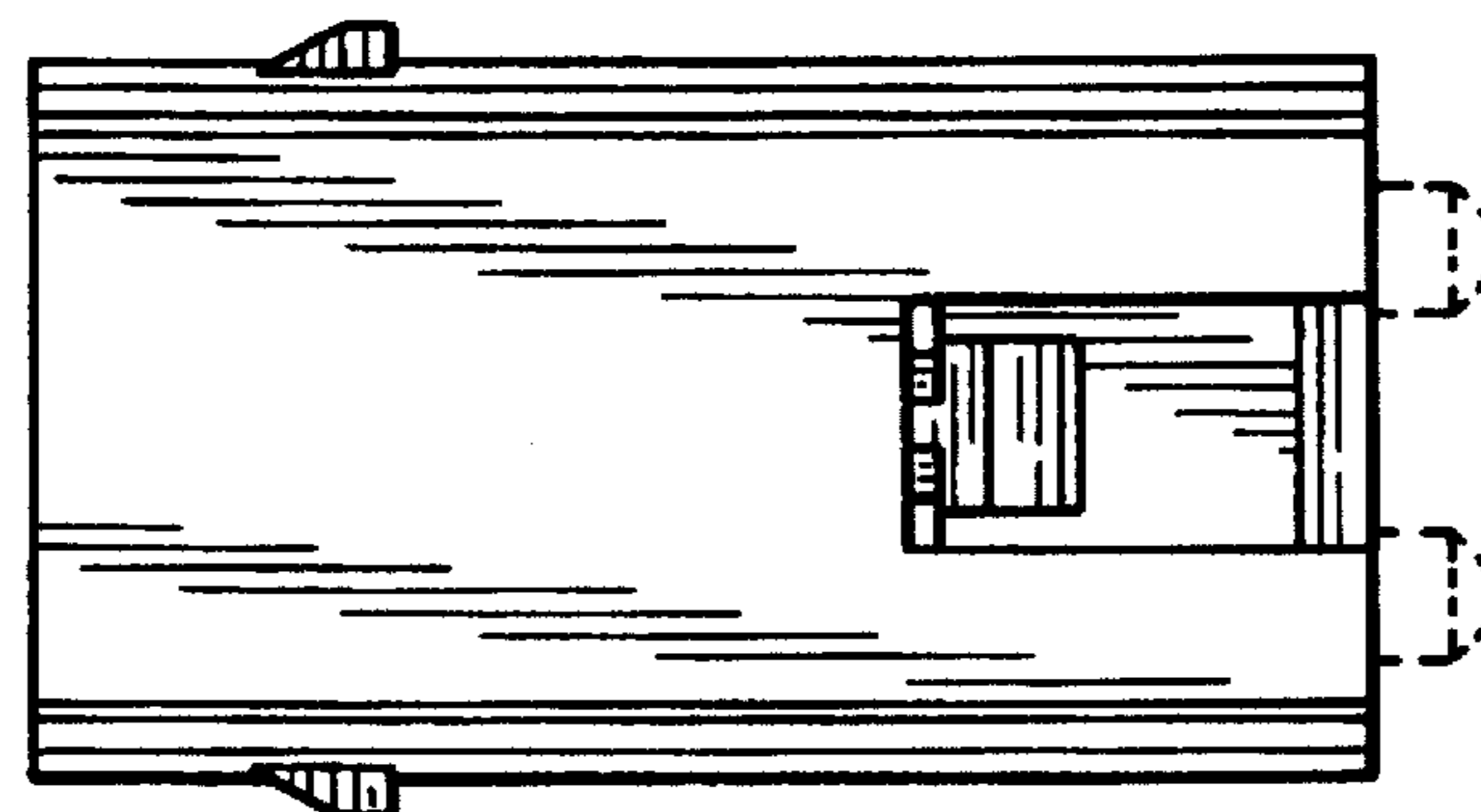


FIG. 7