

US00D384022S

United States Patent [19] Hatter

[11] Patent Number: **Des. 384,022**
[45] Date of Patent: ****Sep. 23, 1997**

[54] **FRONT FACE OF A WHEEL FOR A MOTOR VEHICLE**

D. 371,100 6/1996 Hatter D12/209
D. 374,420 10/1996 Neeper D12/209

[75] Inventor: **Antony-Robert Hatter**, Rutesheim, Germany

OTHER PUBLICATIONS

Custom Wheel & Tire Style Guide 1991, Jun. 1991, p. 47
"Speedway" wheel at mid-page far left.

[73] Assignee: **Dr. Ing. h.c.F. Porsche AG**, Weissach, Germany

Primary Examiner—Gary D. Watson
Attorney, Agent, or Firm—Evenson, McKeown, Edwards & Lenahan, P.L.L.C.

[**] Term: **14 Years**

[21] Appl. No.: **43,183**

[57] CLAIM

[22] Filed: **Aug. 28, 1995**

The ornamental design for a front face of a wheel for a motor vehicle, as shown and described.

[30] Foreign Application Priority Data

Feb. 27, 1995 [DE] Germany M 95 01 671.6

DESCRIPTION

[51] LOC (6) Cl. **12-16**

[52] U.S. Cl. **D12/209**

[58] Field of Search D12/204, 209,
D12/211; 301/64.1, 65

FIG. 1 is a front view of a front face of a first embodiment of a wheel according to my novel design;

FIG. 2 is a front view of a front face of a second embodiment of a wheel according to my novel design;

FIG. 3 is a perspective view of a front face of a first embodiment of a wheel according to my novel design; and,

FIG. 4 is a perspective view of a front face of a second embodiment of a wheel according to my novel design.

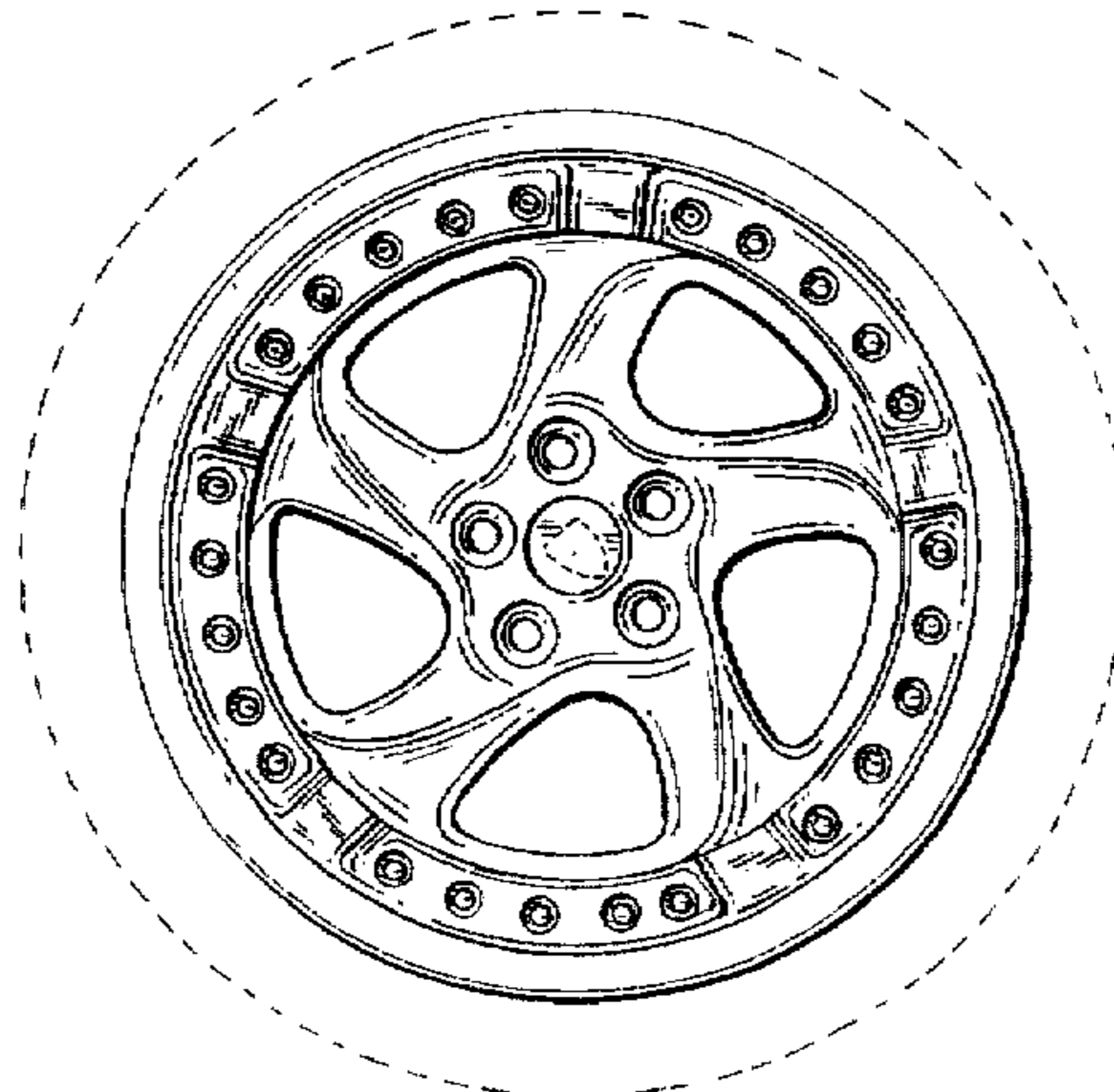
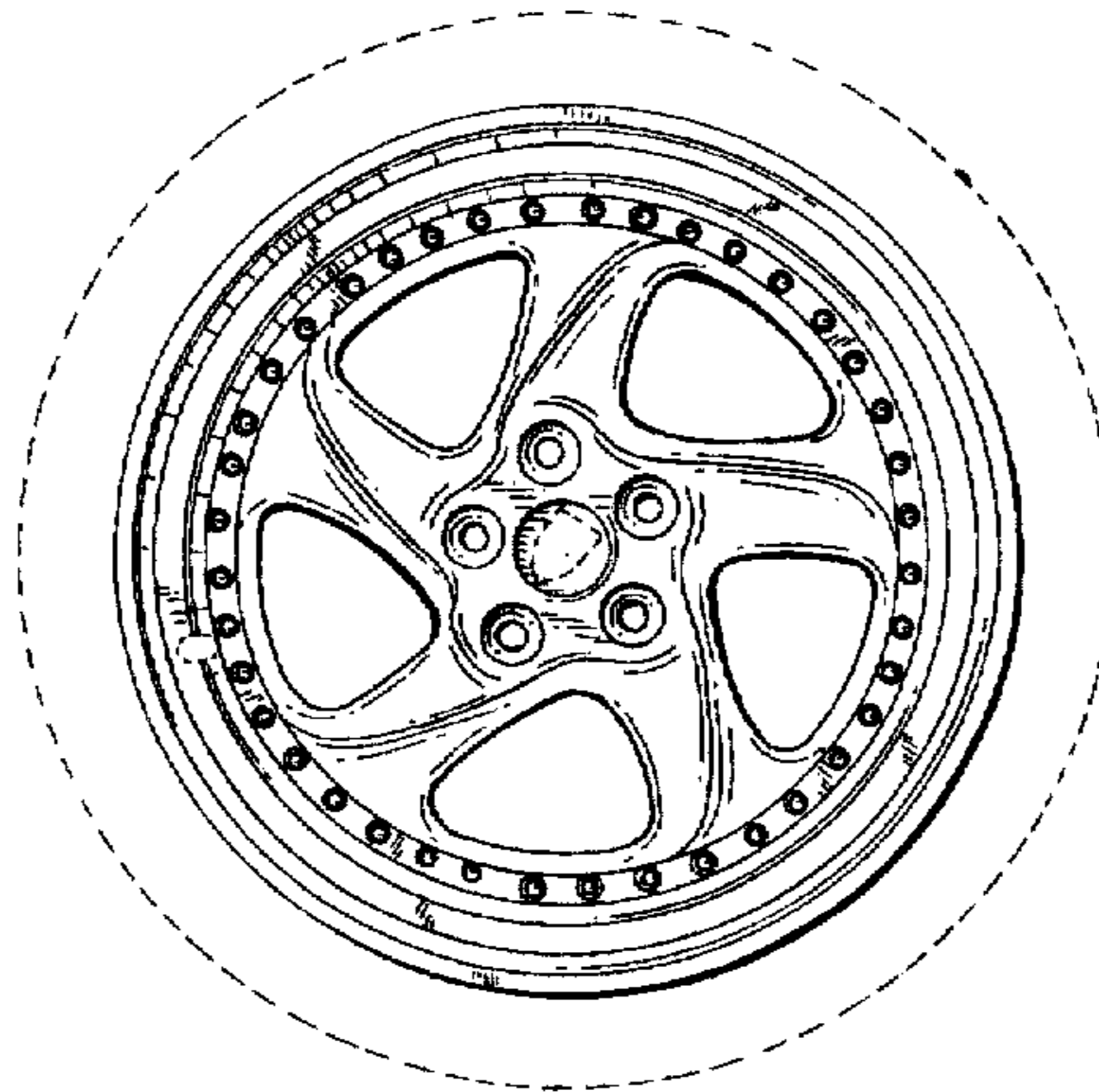
The broken lines are for illustrative purposes only and form no part of the claimed design.

[56] References Cited

U.S. PATENT DOCUMENTS

D. 228,118 8/1973 Kitson D12/209 X
D. 292,389 10/1987 Boyle et al. D12/211
D. 342,714 12/1993 Nikawa D12/211
D. 361,975 9/1995 Weld D12/209 X

1 Claim, 2 Drawing Sheets



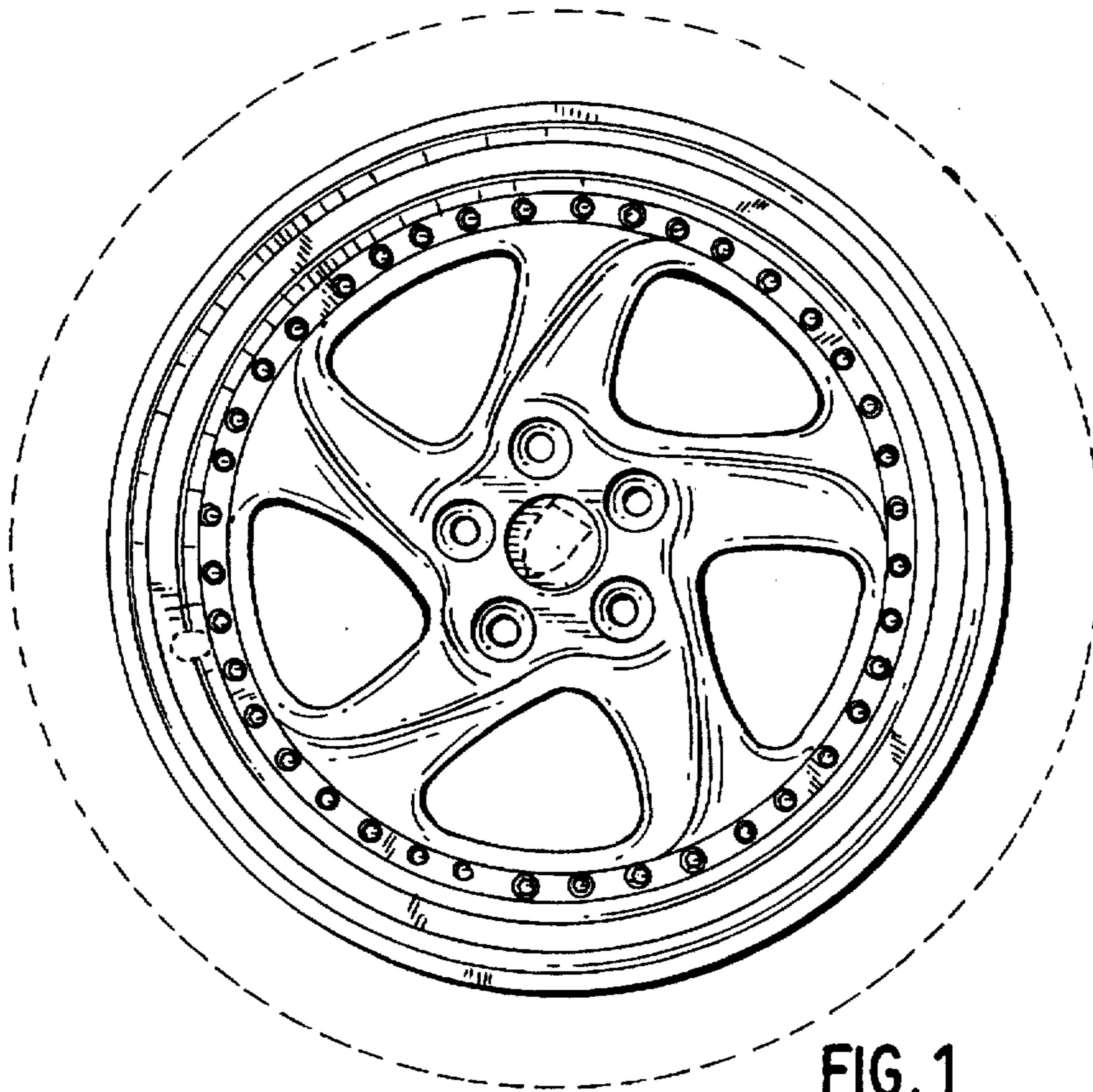


FIG. 1

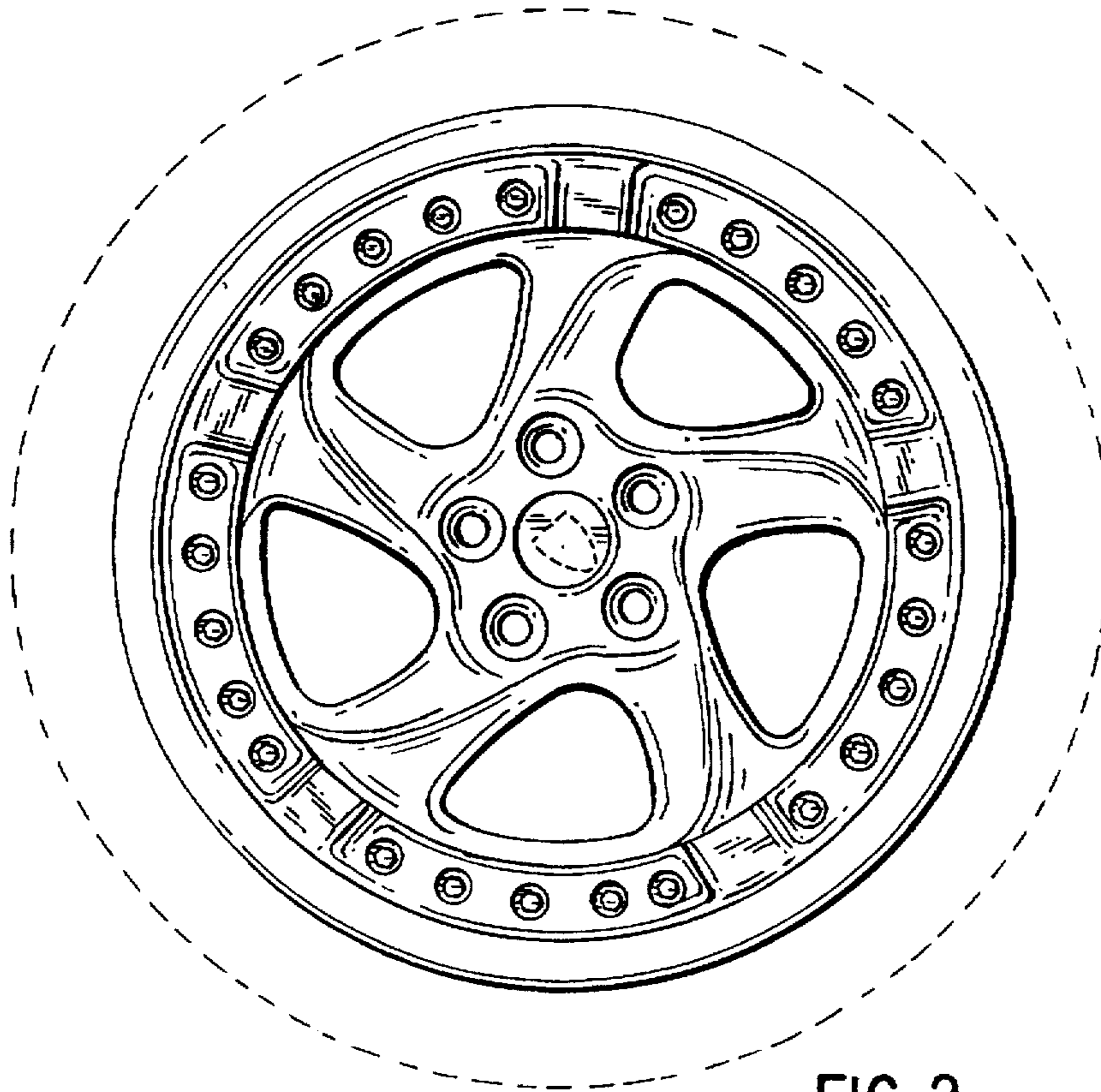


FIG. 2

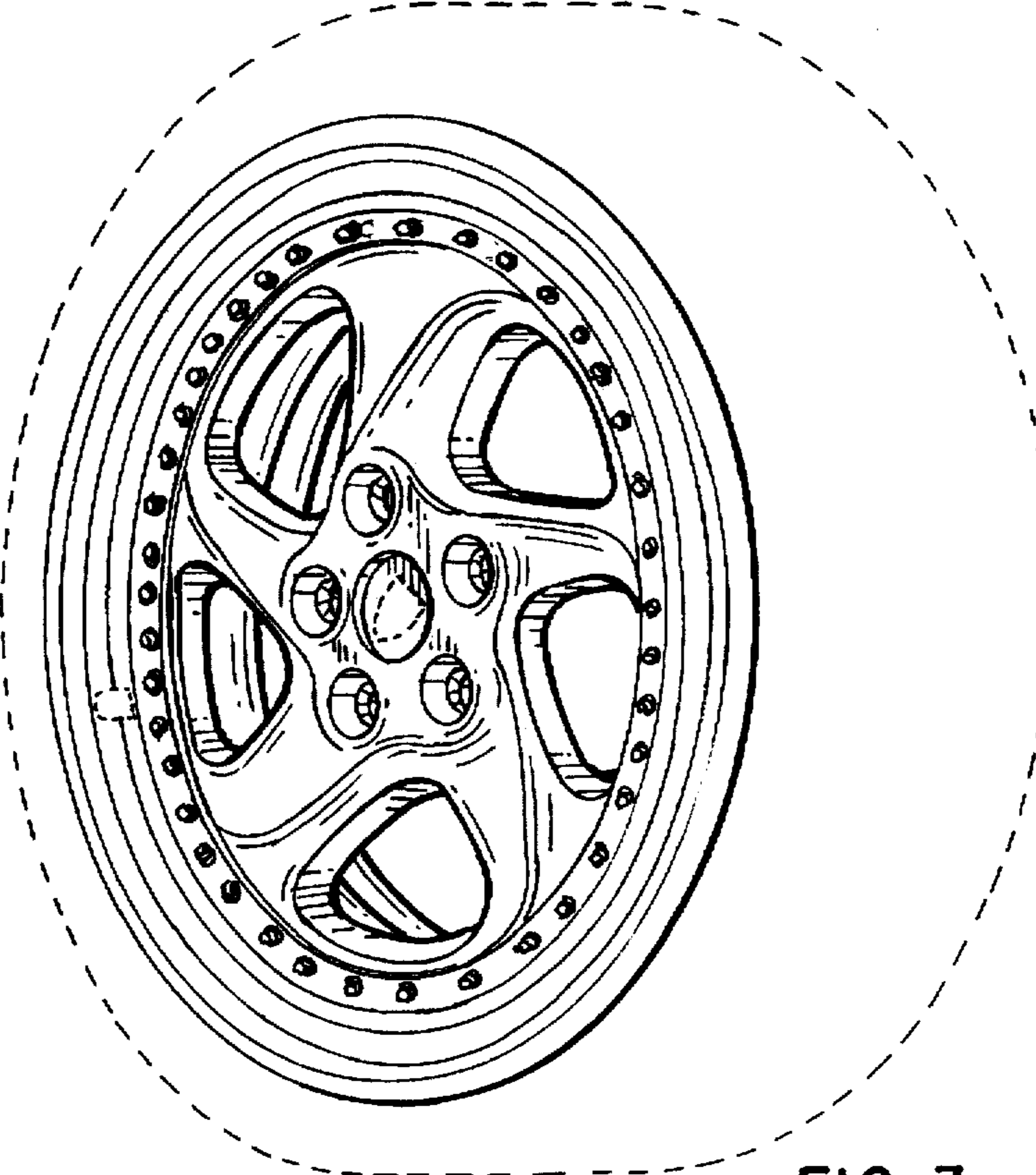


FIG. 3

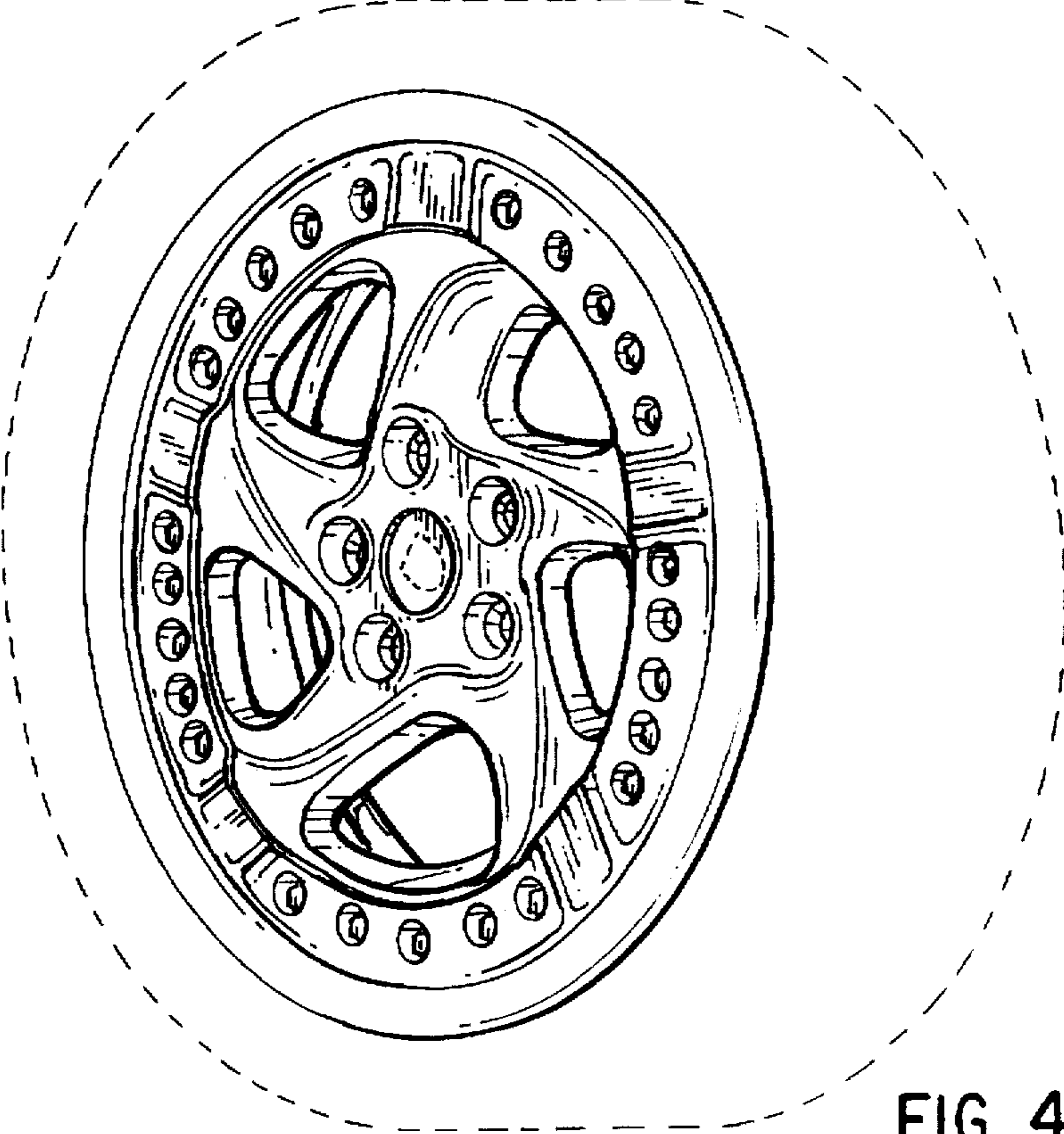


FIG. 4