

US00D384015S

United States Patent [19]

Stenger et al.

[11] Patent Number: **Des. 384,015**

[45] Date of Patent: ****Sep. 23, 1997**

[54] REFLECTIVE DASHBOARD PANEL

[76] Inventors: **Lawrence Stenger**, 30970 Montclair Dr., Lindstrom, Minn. 55045; **Reginald E. Bronson**, 186 Brookview Ct., Maplewood, Minn. 55109-4701

[**] Term: **14 Years**

[21] Appl. No.: **48,035**

[22] Filed: **Dec. 18, 1995**

[51] LOC (6) Cl. **12-16**

[52] U.S. Cl. **D12/192**

[58] Field of Search D12/192, 400; D10/98; 180/90; 296/70; 280/752

[56] References Cited

U.S. PATENT DOCUMENTS

D. 202,262	9/1965	Brunger et al.	D12/192
D. 300,020	2/1989	Petrilli	D12/192
D. 303,783	10/1989	Engolia	D12/192
1,296,182	3/1919	Hammond	180/90
1,307,685	6/1919	Letord	180/90 X

Primary Examiner—Louis S. Zarfaz
Assistant Examiner—Frank Martinez
Attorney, Agent, or Firm—Jacobson & Johnson

[57] CLAIM

The ornamental design for a reflective dashboard panel, as shown.

DESCRIPTION

FIG. 1 is a perspective view of a reflective dashboard panel,

having a brushed reflective surface, showing our new design;

FIG. 2 is a front view thereof;

FIG. 3 is a top view thereof;

FIG. 4 is a bottom view thereof;

FIG. 5 is a back view thereof;

FIG. 6 is a side view thereof, the opposite side being a mirror image thereof;

FIG. 7 is a partial view thereof, showing the head of a fastener extending through;

FIG. 8 is a perspective view of a second embodiment of a reflective dashboard panel, having a mirror reflective surface, showing our new design;

FIG. 9 is a front view thereof;

FIG. 10 is a top view thereof;

FIG. 11 is a bottom view thereof;

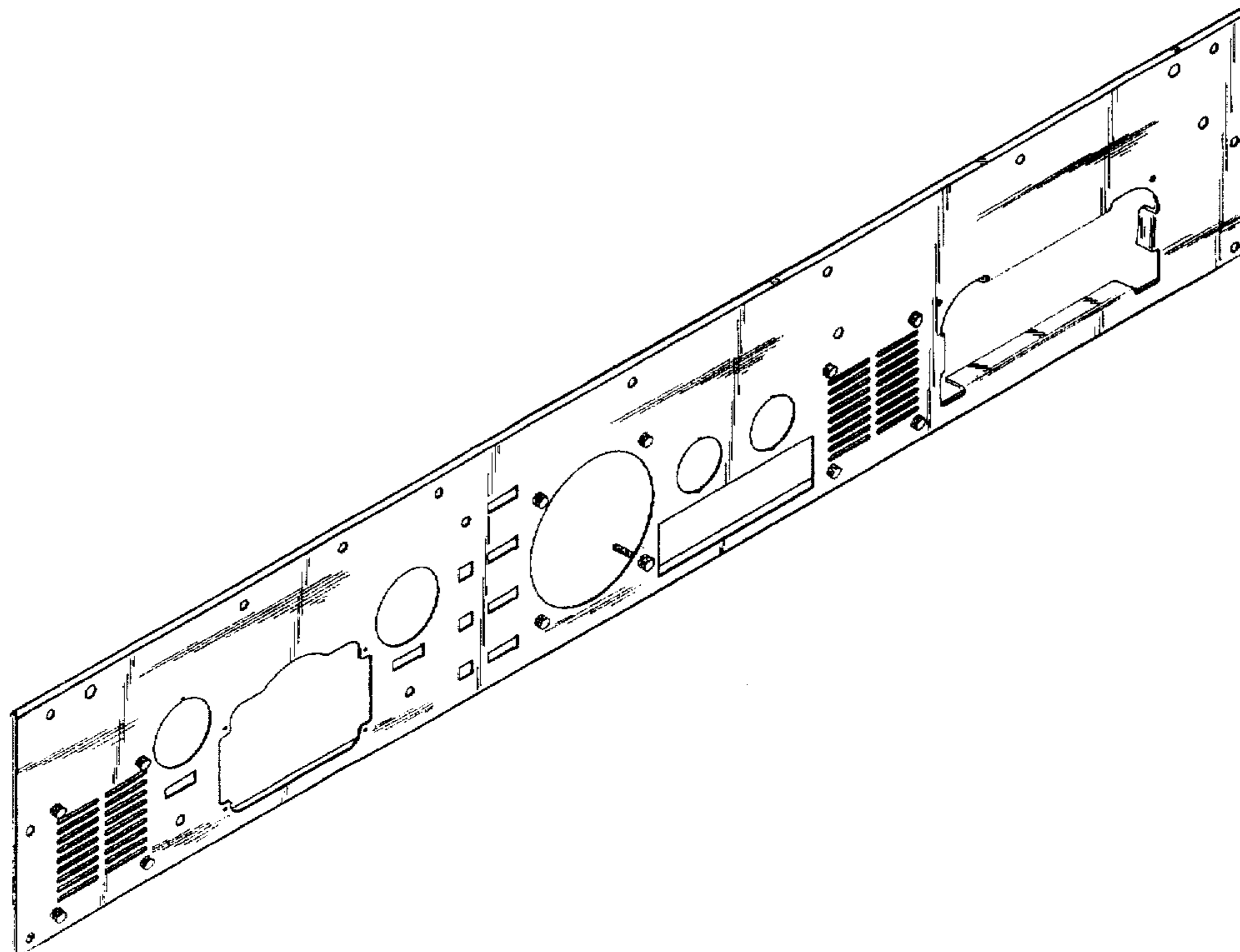
FIG. 12 is a back view thereof;

FIG. 13 is a side view thereof the opposite side being a mirror image thereof; and,

FIG. 14 is a partial view thereof, showing the head of a fastener extending through.

The fasteners have been omitted from views 2-5 and 9-12 for ease of illustration.

1 Claim, 6 Drawing Sheets



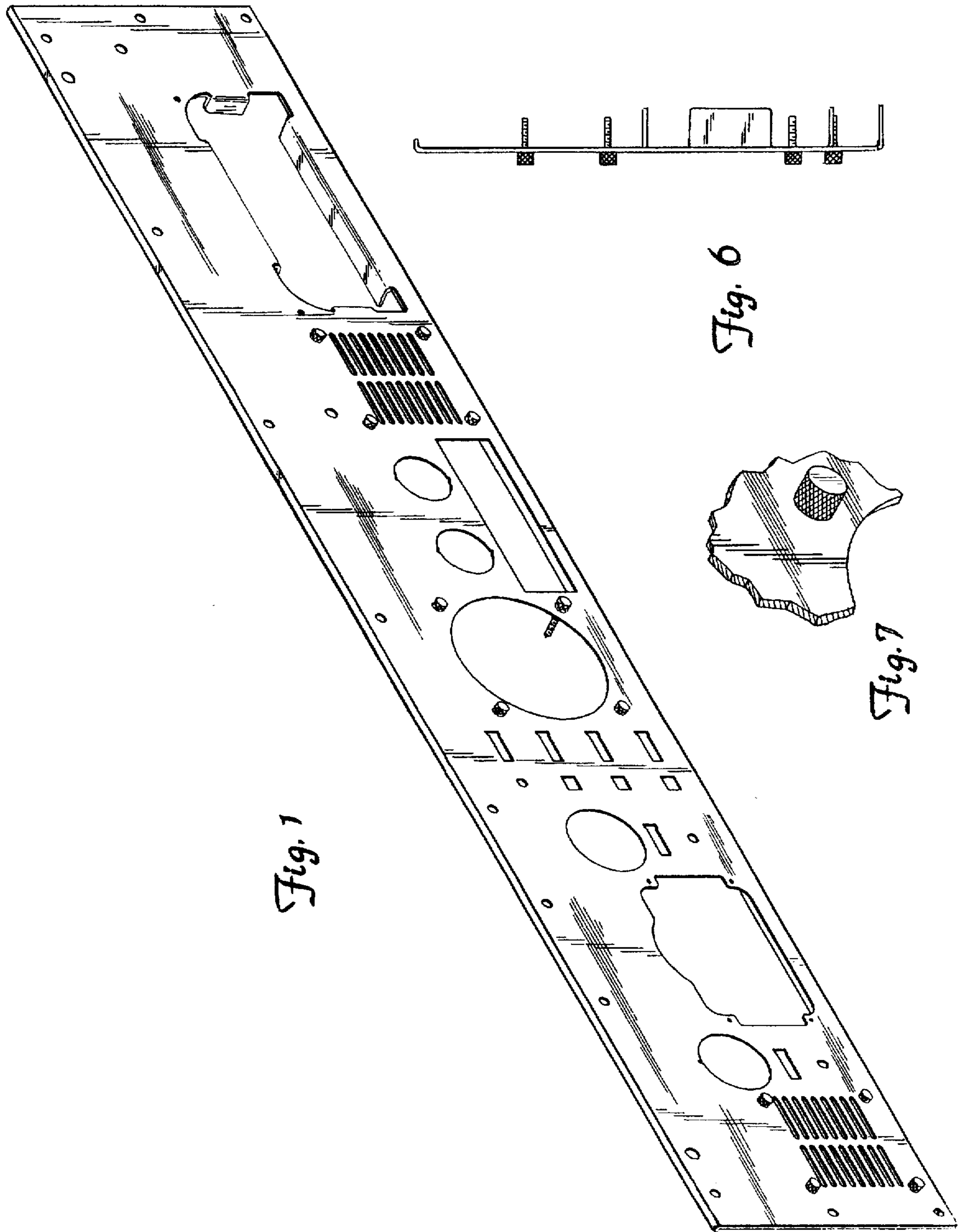




Fig. 3

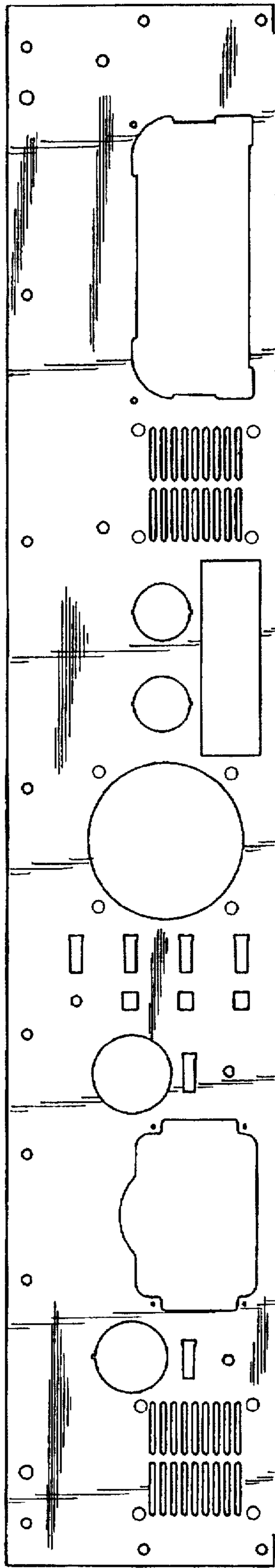


Fig. 2



Fig. 4

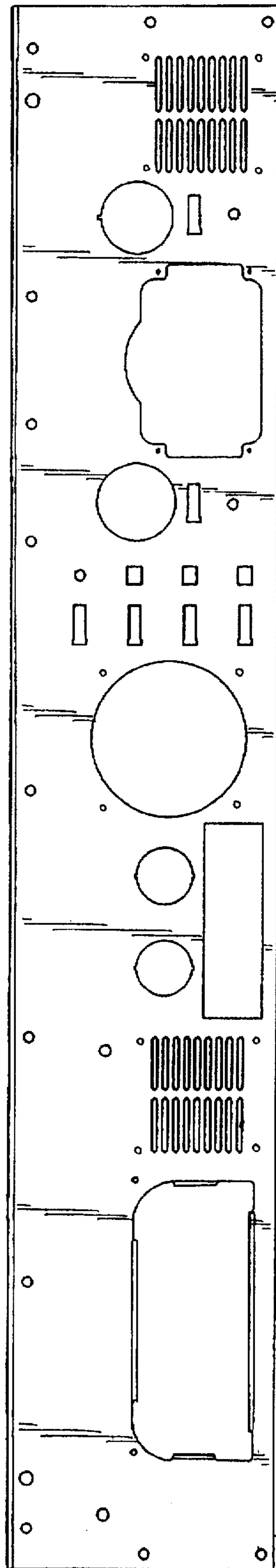
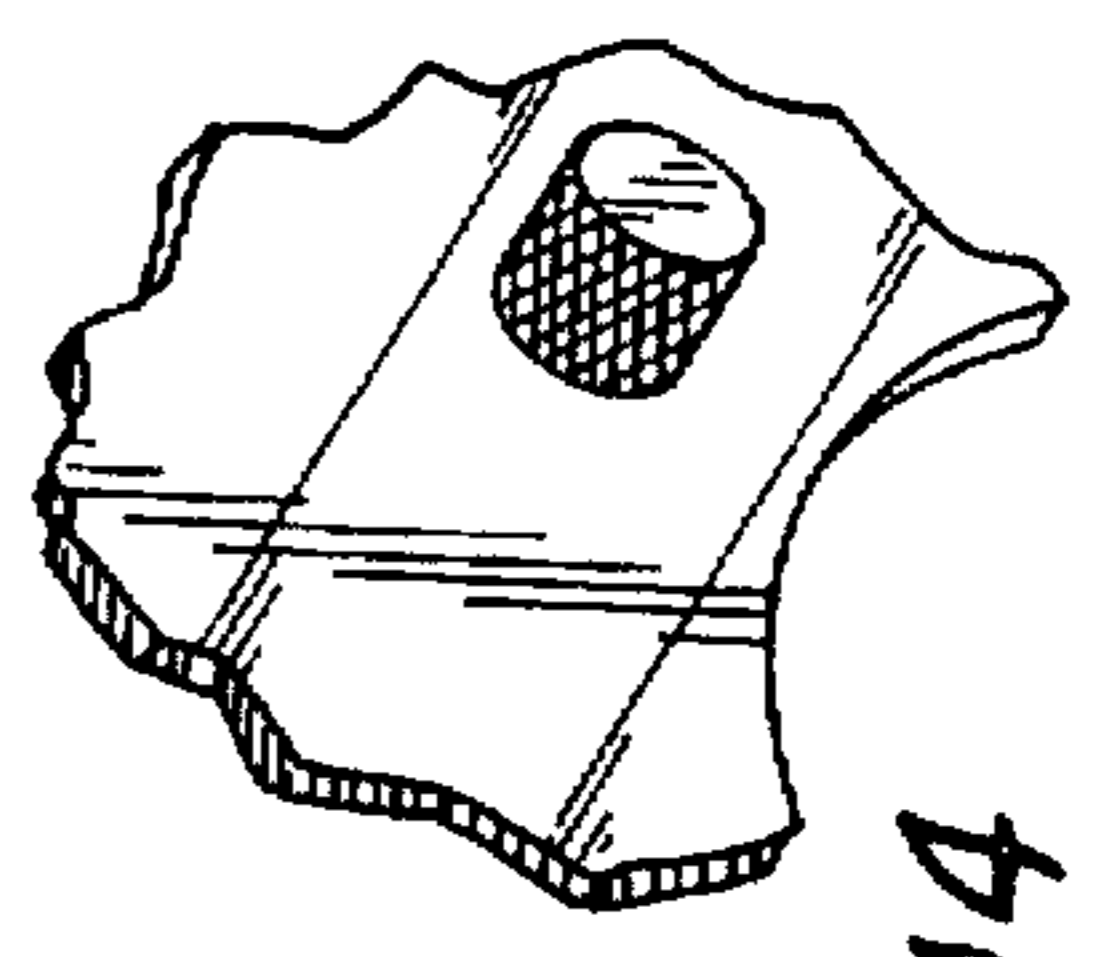
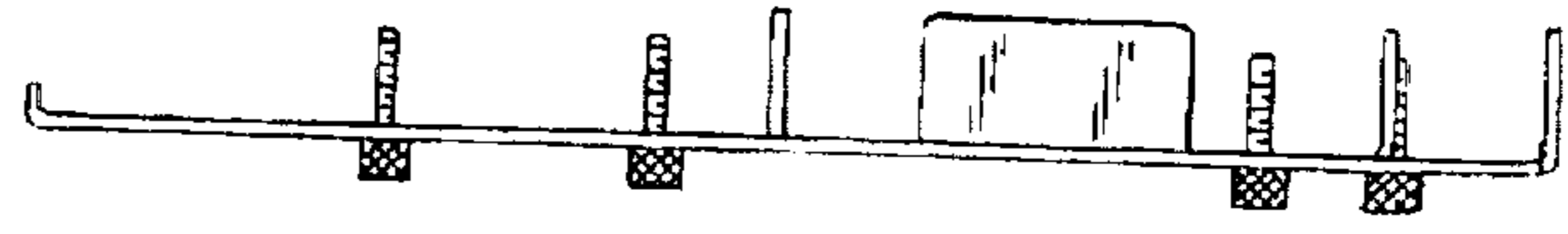
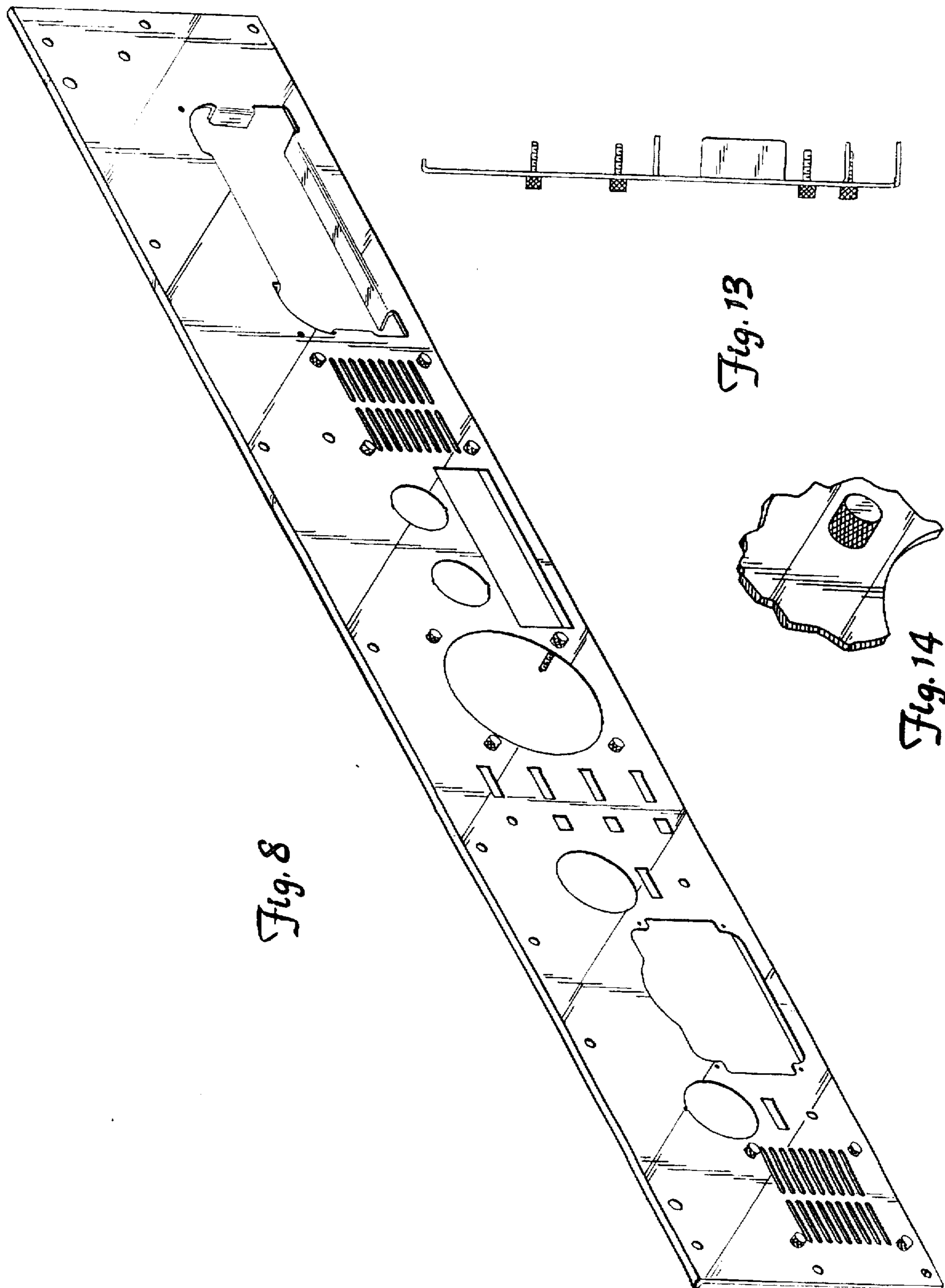


Fig. 5



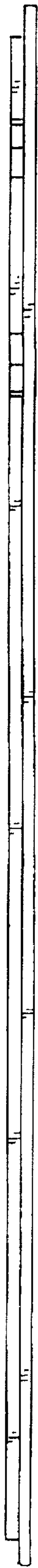


Fig. 10

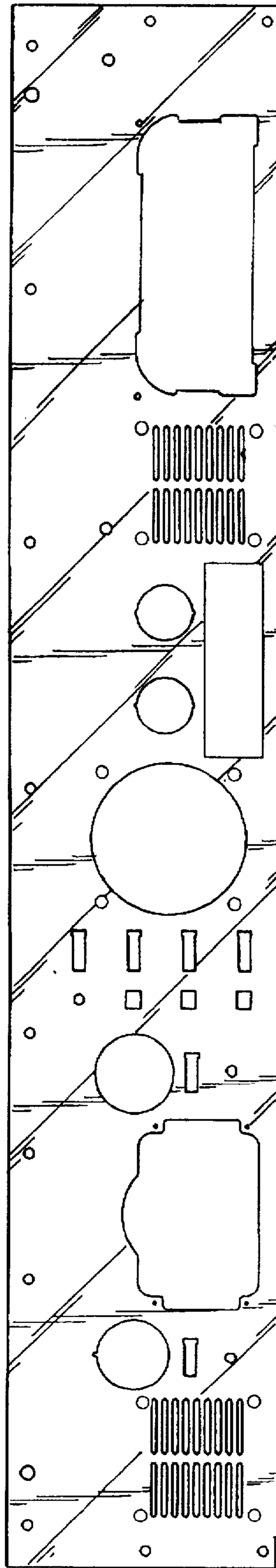


Fig. 9



Fig. 11

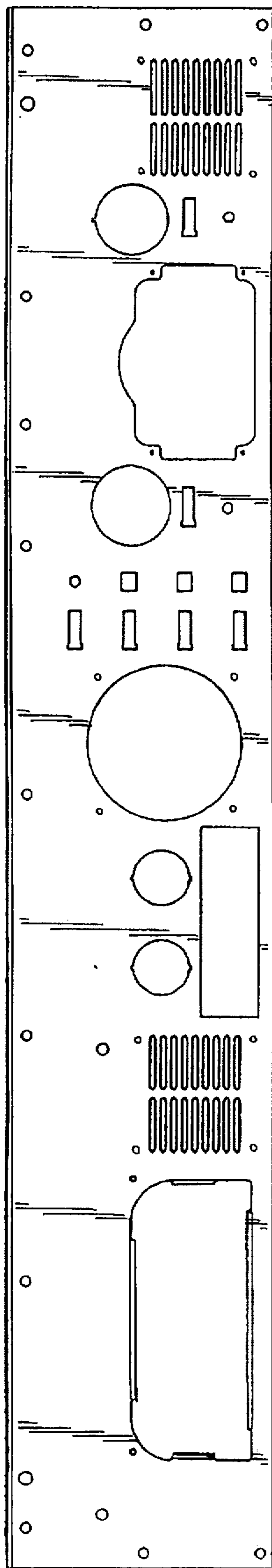


Fig. 12