

US00D384012S

United States Patent [19]
Kuramochi et al.

[11] **Patent Number: Des. 384,012**
[45] **Date of Patent: **Sep. 23, 1997**

[54] **AUTOMOBILE TIRE**

FOREIGN PATENT DOCUMENTS

[75] **Inventors: Izumi Kuramochi, Tokyo; Yukio Kuroda; Masayuki Oshima, both of Hiratsuka; Kohtaroh Iwabuchi, Tokyo, all of Japan**

1-136801 5/1989 Japan 152/209 R
06305307 A 11/1994 Japan 152/209 D

[73] **Assignee: The Yokohama Rubber Co., Ltd., Tokyo, Japan**

OTHER PUBLICATIONS

Uniroyal Rallye RTT-1/ZR tire, 1994 Tread Design Guide, p. 64, Jan. 1994.
Z-Rated Texas tire, Modern Tire Dealer, Dec. 1994, p. 51, front illustration, Dec. 1994.

[**] **Term: 14 Years**

Primary Examiner—James Gandy
Assistant Examiner—Robert M. Spear
Attorney, Agent, or Firm—Nikaido, Marmelstein, Murray & Oram LLP

[21] **Appl. No.: 45,303**

[22] **Filed: Oct. 16, 1995**

[57] **CLAIM**

[30] **Foreign Application Priority Data**

Apr. 27, 1995 [JP] Japan 7-11747

The ornamental design for an automobile tire, as shown and described.

[51] **LOC (6) Cl. 12-15**

DESCRIPTION

[52] **U.S. Cl. D12/147**

[58] **Field of Search D12/136, 138, D12/141, 146-148; 152/209 A, 209 D, 209 R**

FIG. 1 is a front view of the automobile tire, showing the new design, the top plan view and the bottom plan view appearing the same as the front view;
FIG. 2 is a rear view of the automobile tire;
FIG. 3 is a right-side view of the automobile tire;
FIG. 4 is a left-side view of the automobile tire;
FIG. 5 is a fragmentary front view, showing in enlargement the portion 5-5 in FIG. 1; and,
FIG. 6 is a sectional view, taken on line 6-6 of FIG. 5.

[56] **References Cited**

U.S. PATENT DOCUMENTS

D. 360,861 8/1995 Graas et al. D12/147
D. 360,864 8/1995 Munster et al. D12/151

1 Claim, 5 Drawing Sheets

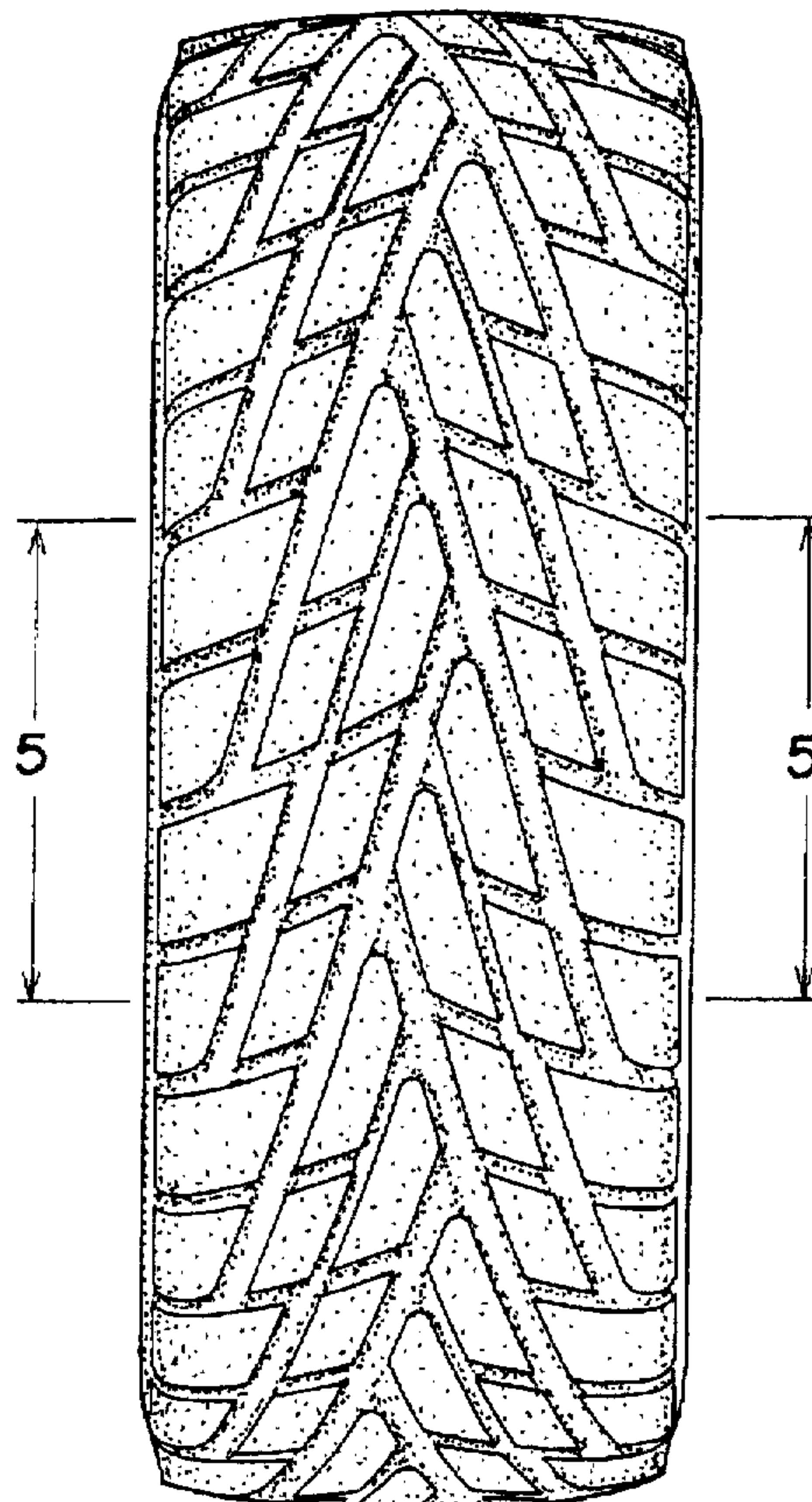


FIG. 1

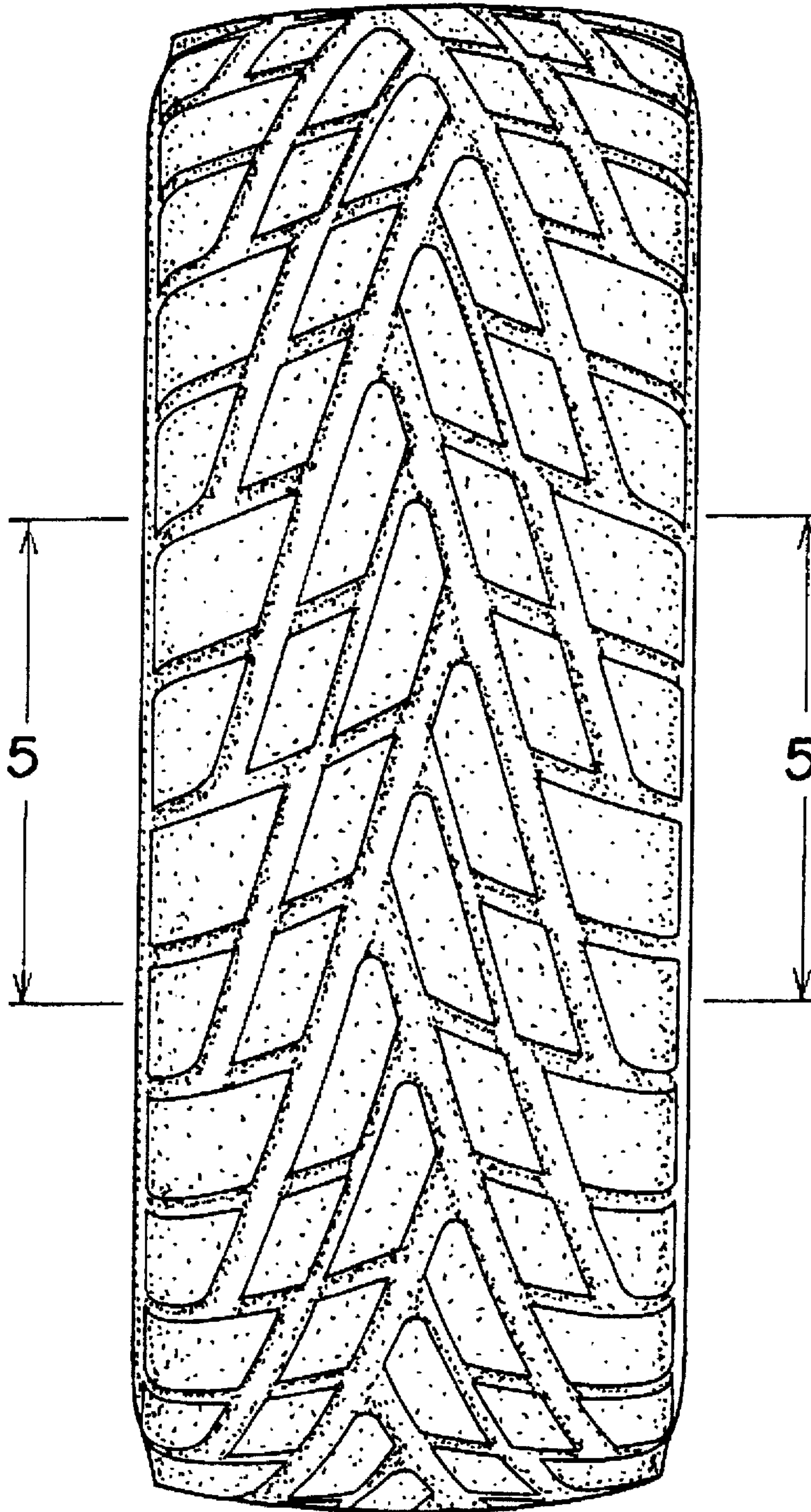


FIG. 2

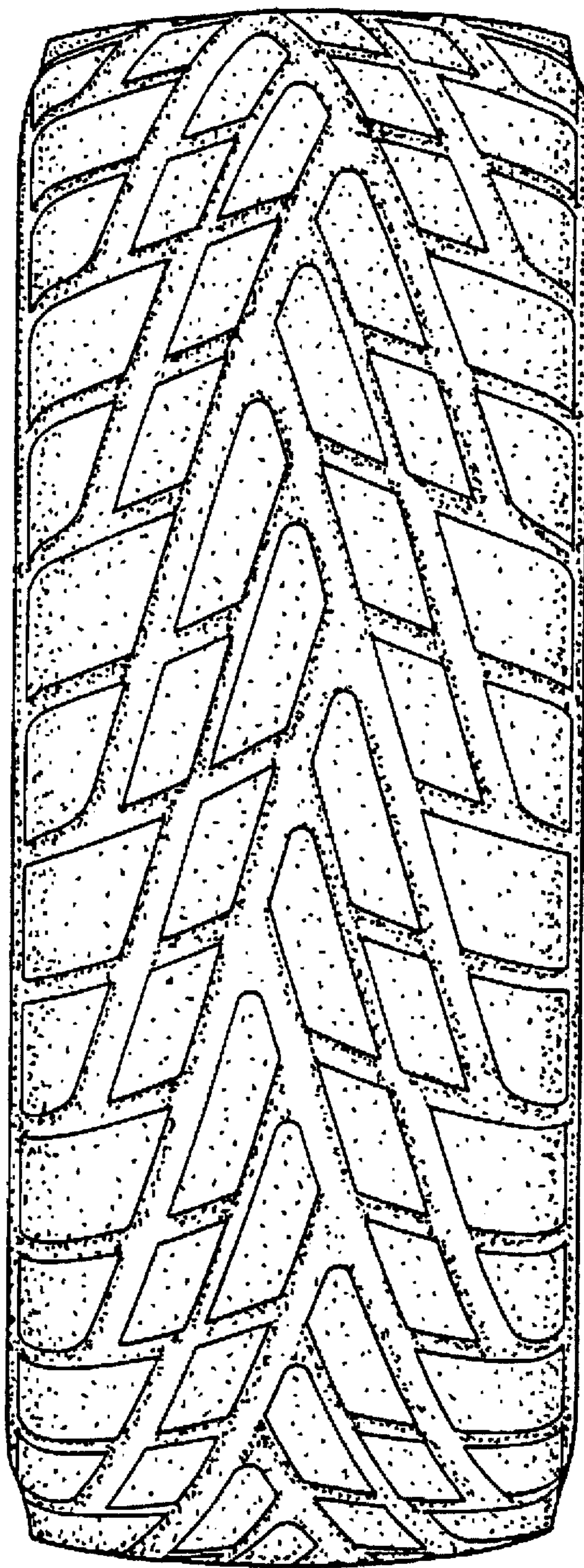


FIG. 3

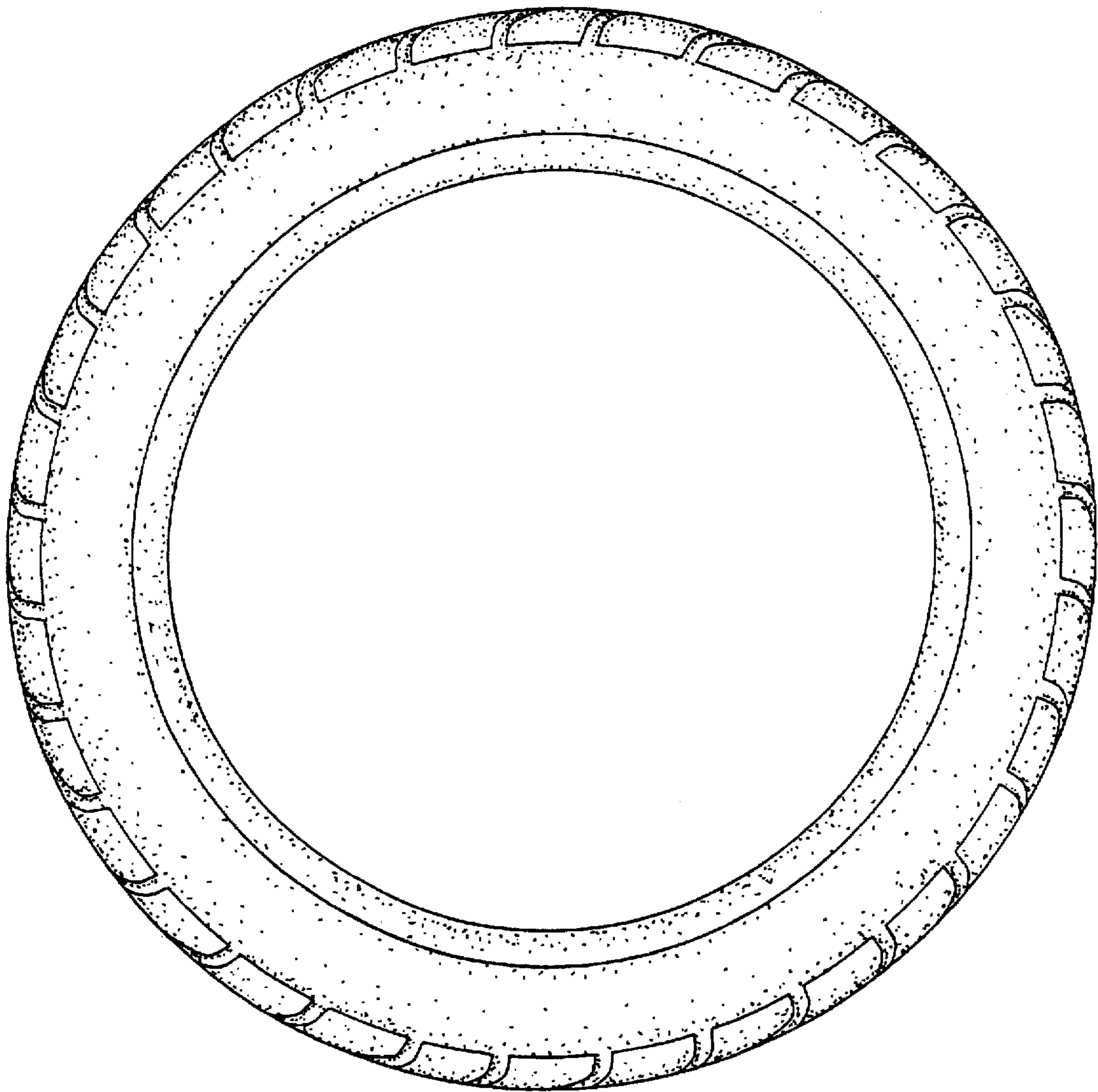


FIG. 4

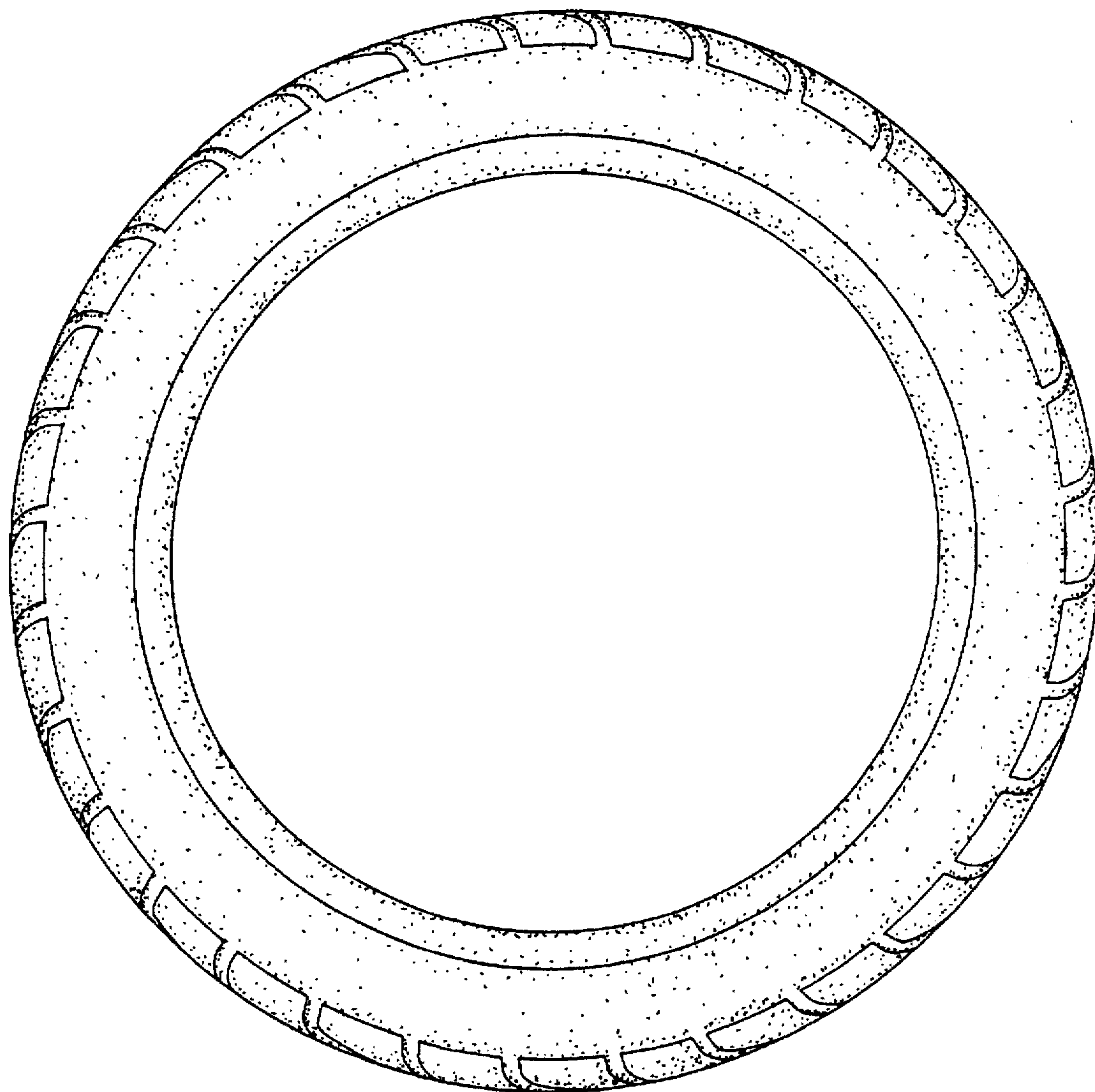


FIG. 5

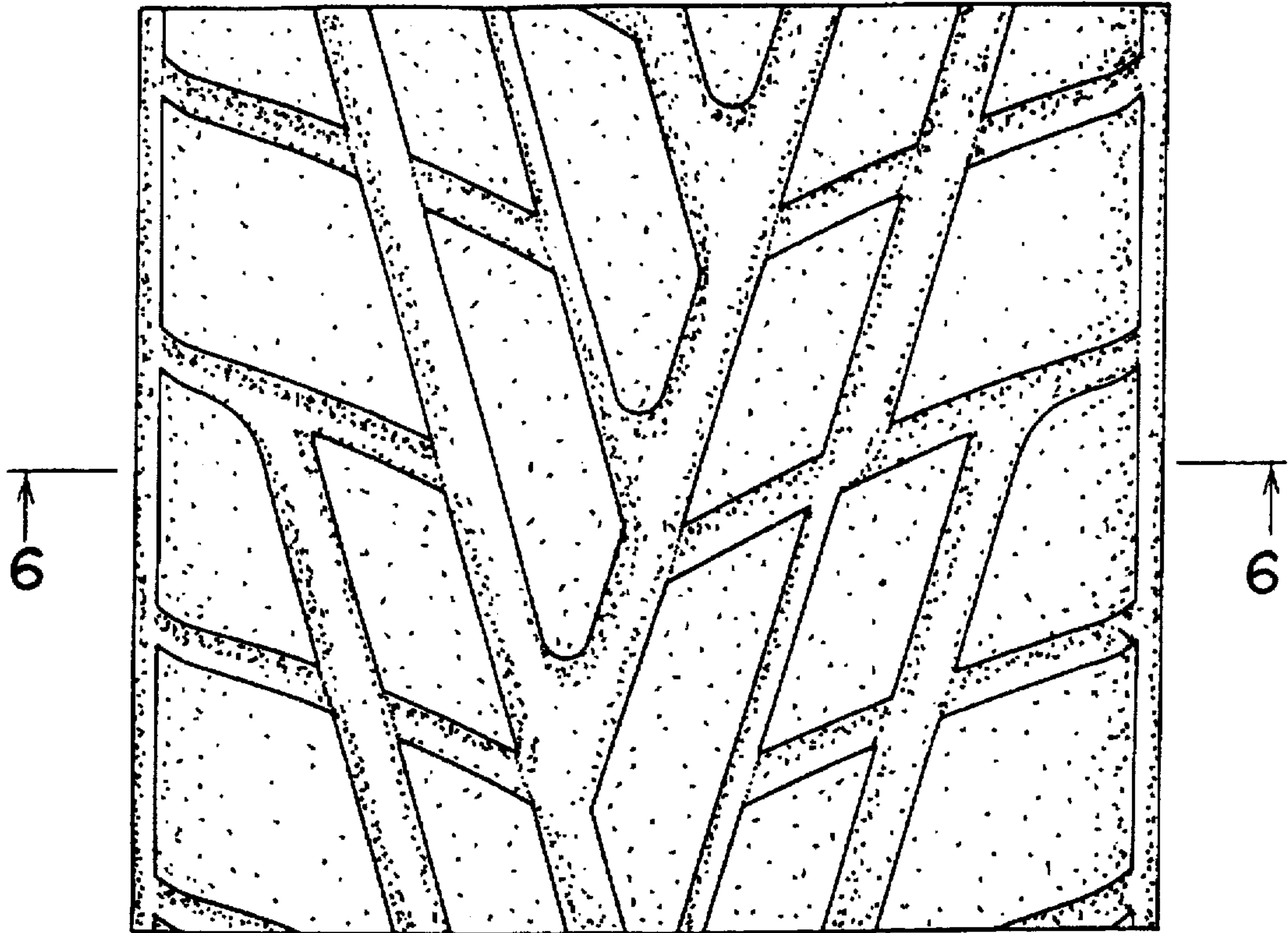


FIG. 6

