



US00D384010S

United States Patent [19] Chiu

[11] Patent Number: **Des. 384,010**

[45] Date of Patent: ****Sep. 23, 1997**

[54] BICYCLE TRAILER

[76] Inventor: **Ping-Jan Chiu**, No. 1146, Chung-Shan Rd., Ta-Chia Chen, Taichung Hsien, Taiwan

[**] Term: **14 Years**

[21] Appl. No.: **43,563**

[22] Filed: **Sep. 7, 1995**

[51] LOC (6) Cl. **12-10**

[52] U.S. Cl. **D12/102**

[58] Field of Search D12/101, 102, D12/114; 280/204; 296/36

[56] References Cited

U.S. PATENT DOCUMENTS

D. 351,575	10/1994	Fenton et al.	D12/114
5,020,814	6/1991	George et al.	280/204
5,308,096	5/1994	Smith	280/204
5,340,429	8/1994	Smith	D12/102

OTHER PUBLICATIONS

American Bicyclist & Motorcyclist, Dec. 1991, p. 18, The Burley Roo Folding Trailer and Winchester Fast Folder Trailer.

Primary Examiner—Melody N. Brown

Attorney, Agent, or Firm—Sterne, Kessler, Goldstein & Fox P.L.L.C.

[57] CLAIM

The ornamental design for a bicycle trailer, as shown and described.

DESCRIPTION

FIG. 1 is a perspective view of bicycle trailer showing my new design;

FIG. 2 is a front elevational view thereof;

FIG. 3 is a rear elevational view thereof;

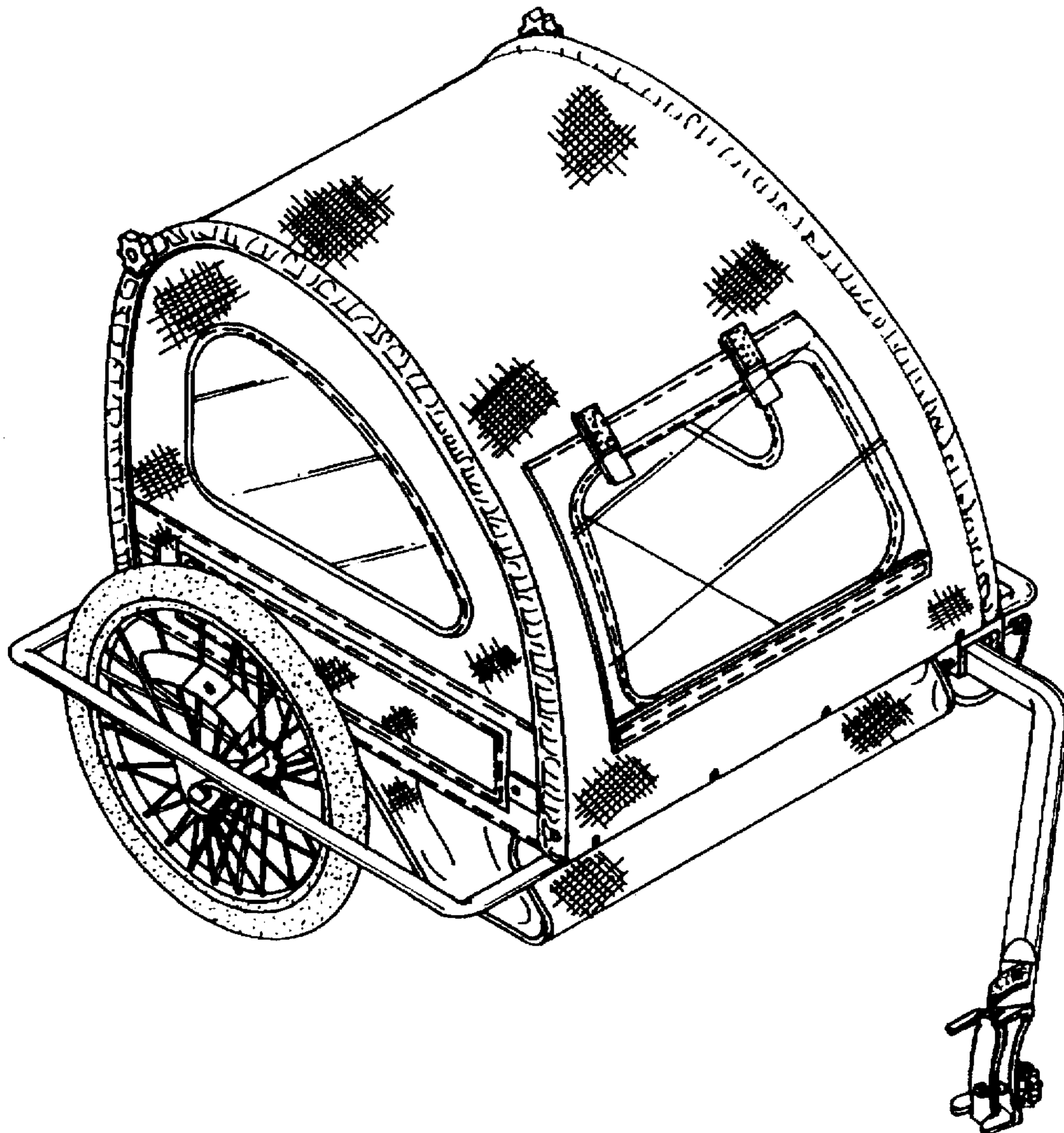
FIG. 4 is a left side elevational view thereof;

FIG. 5 is a right side elevational view thereof;

FIG. 6 is a top plan view thereof; and,

FIG. 7 is a bottom plan view thereof.

1 Claim, 7 Drawing Sheets



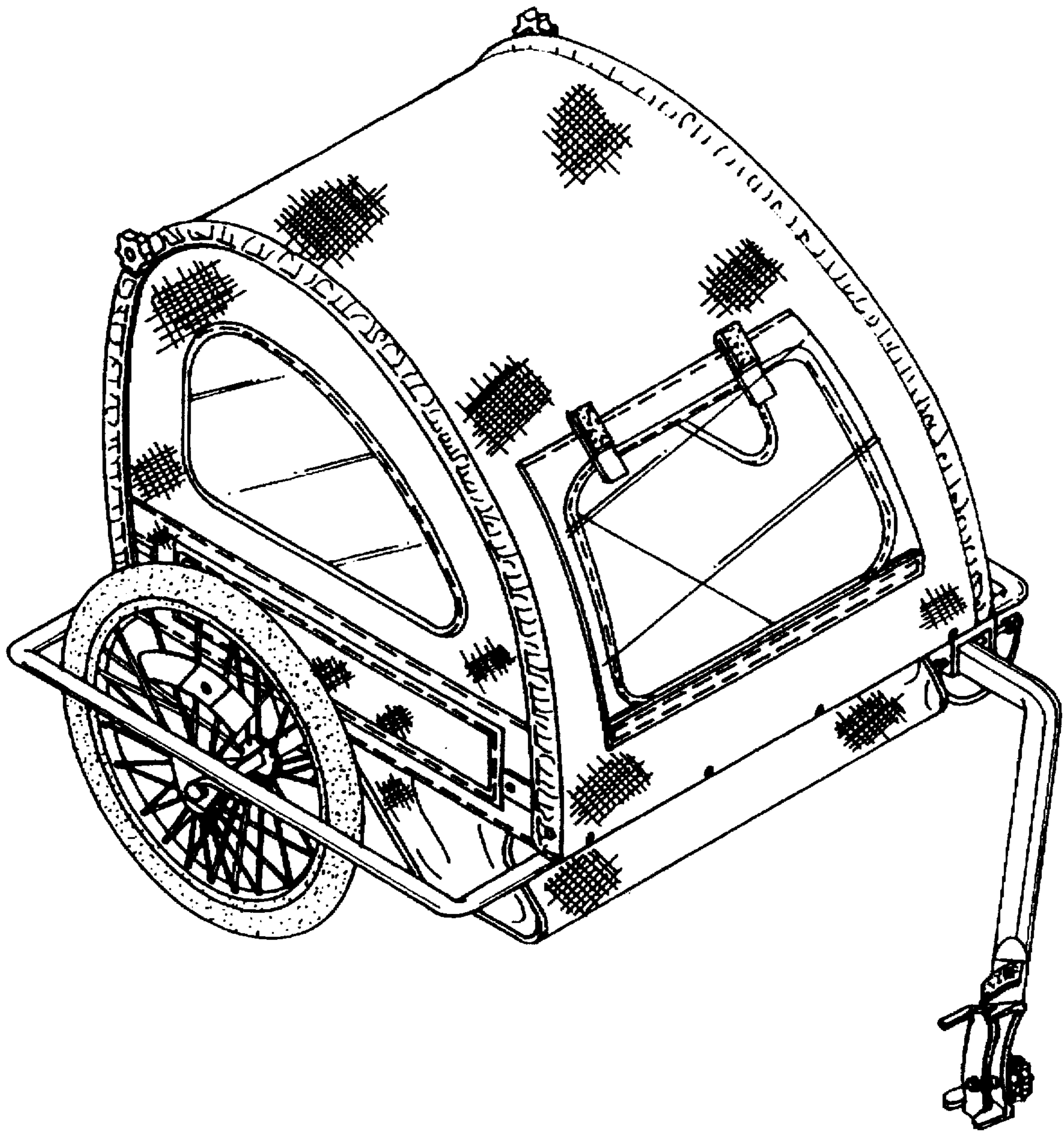


FIG. 1

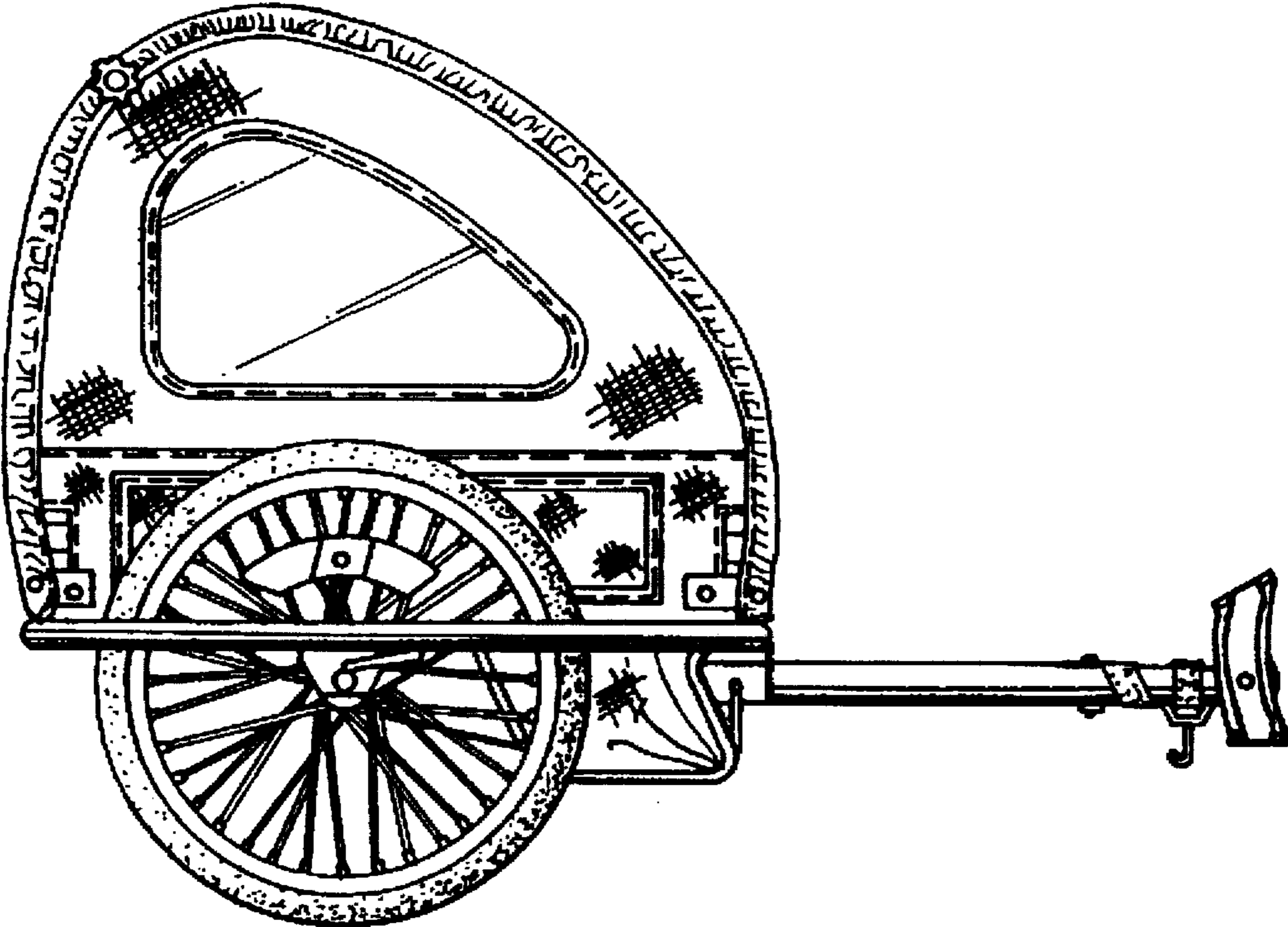


FIG. 2

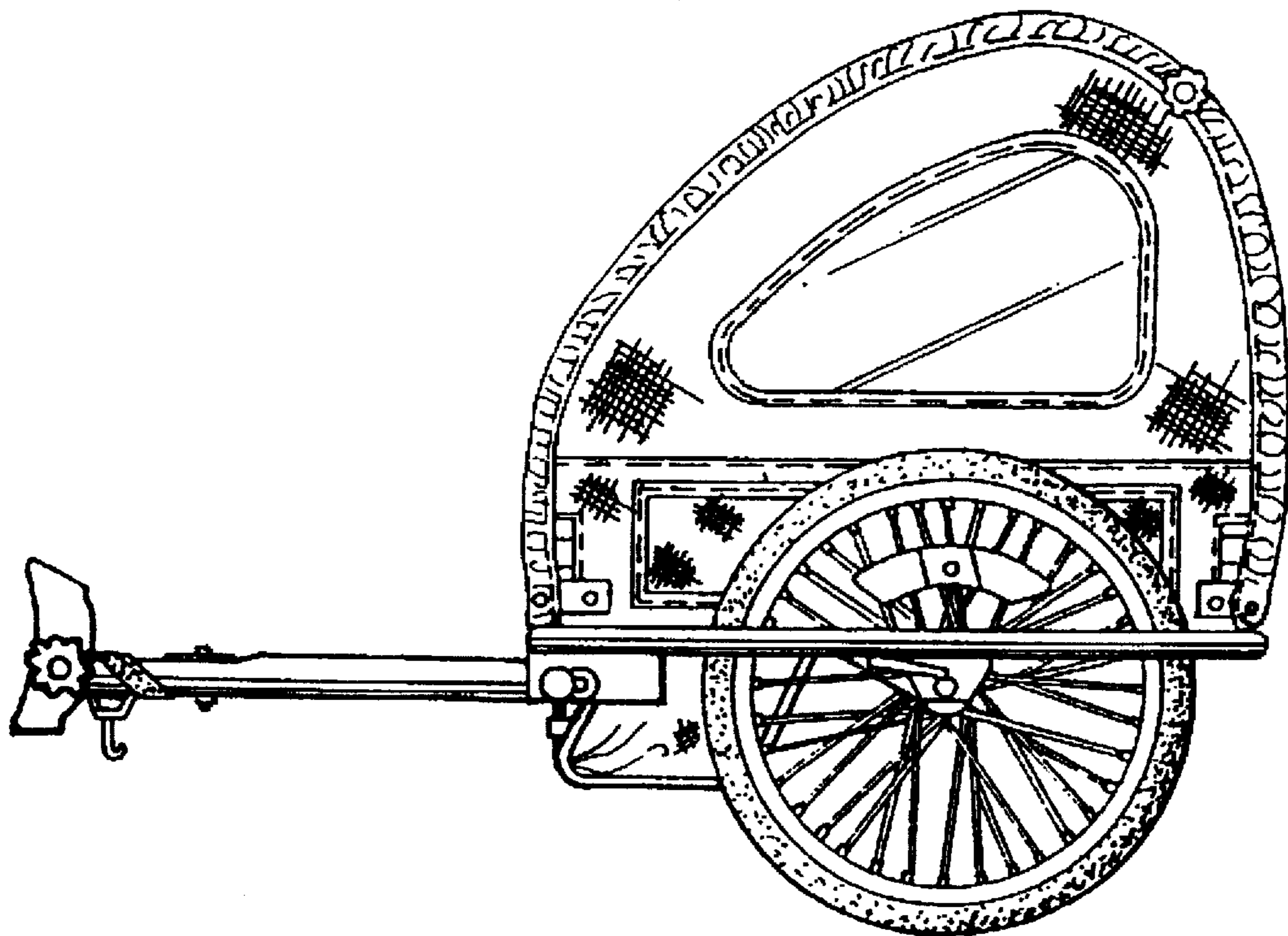


FIG. 3

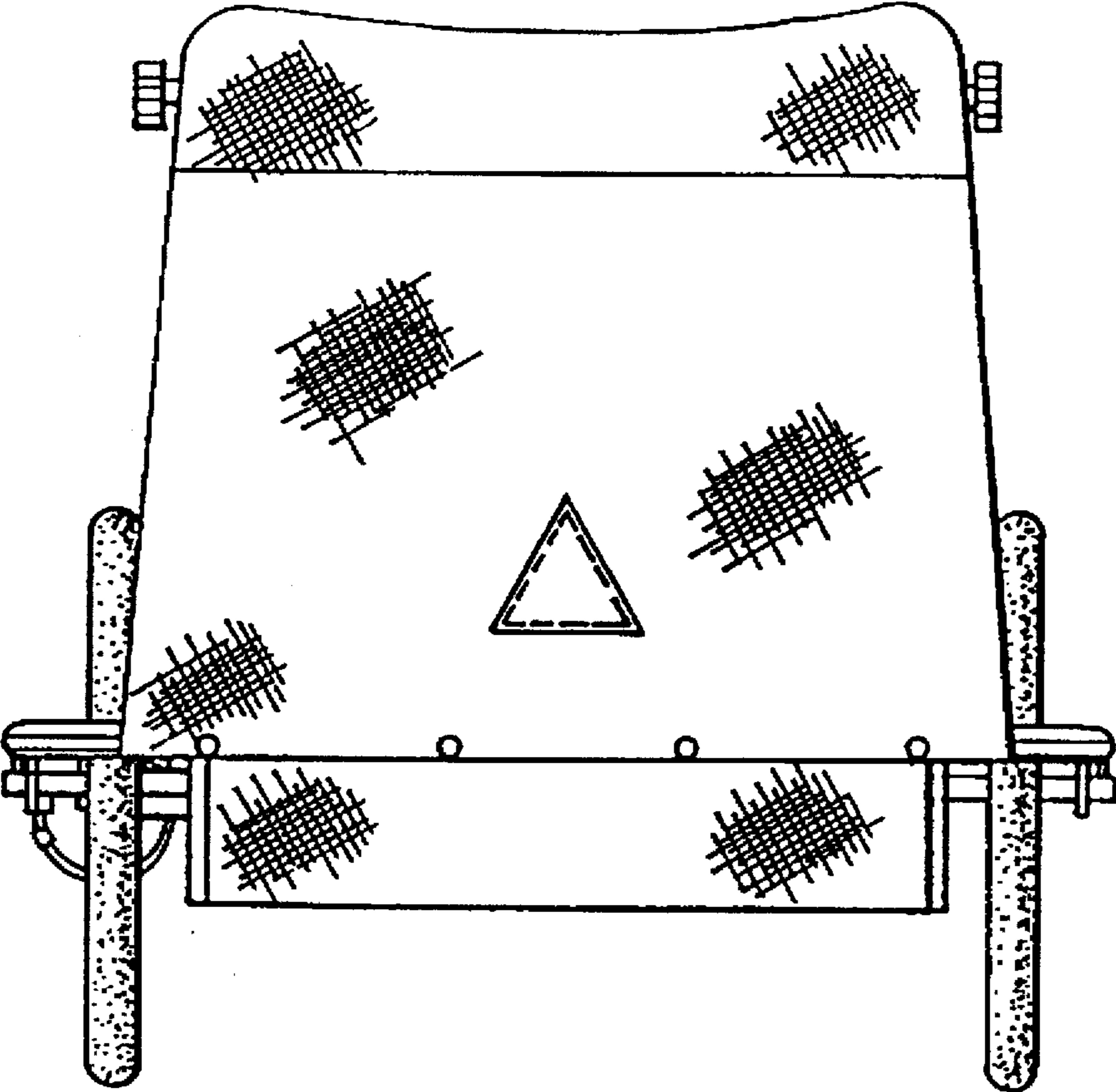


FIG. 4

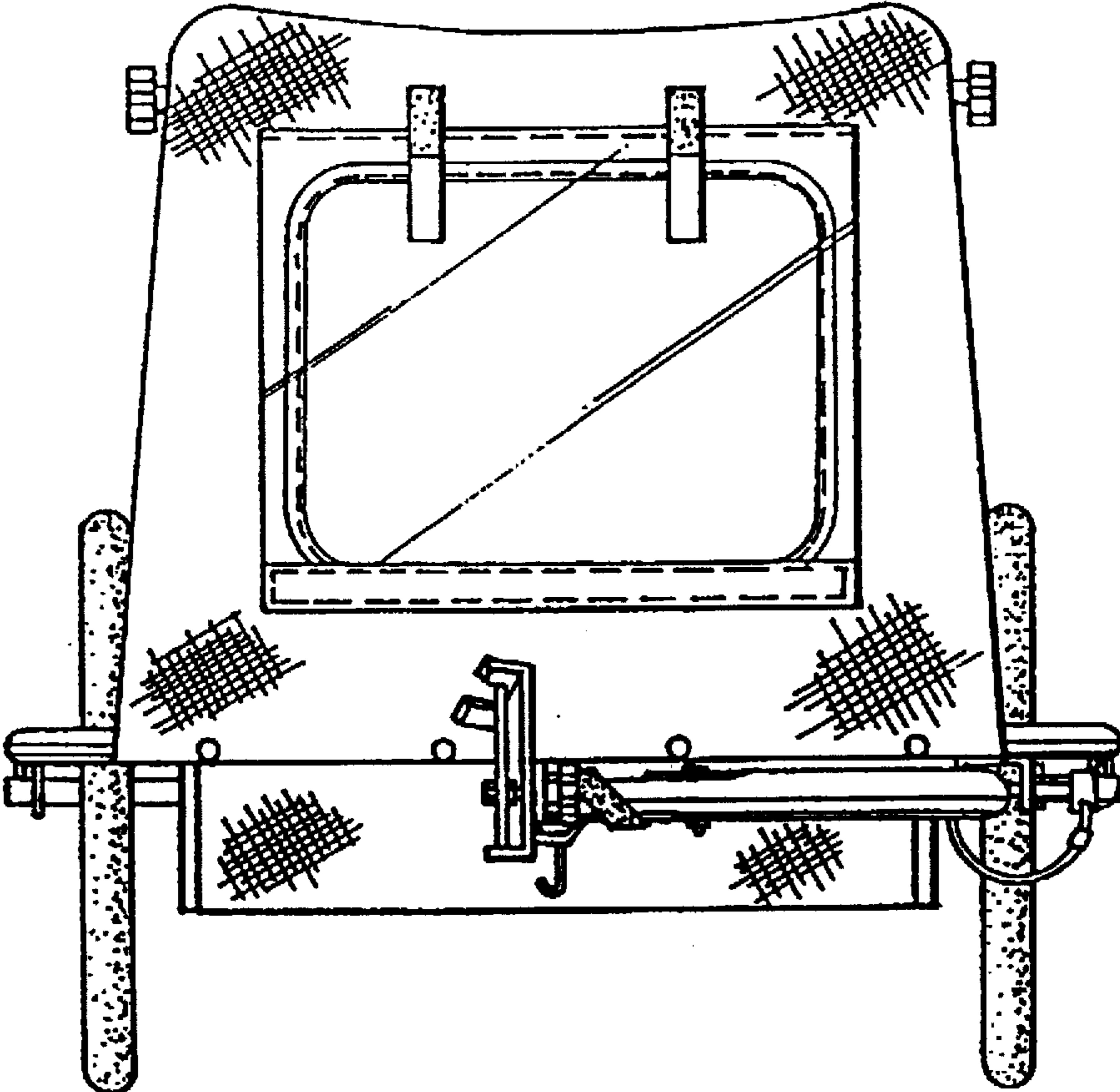


FIG. 5

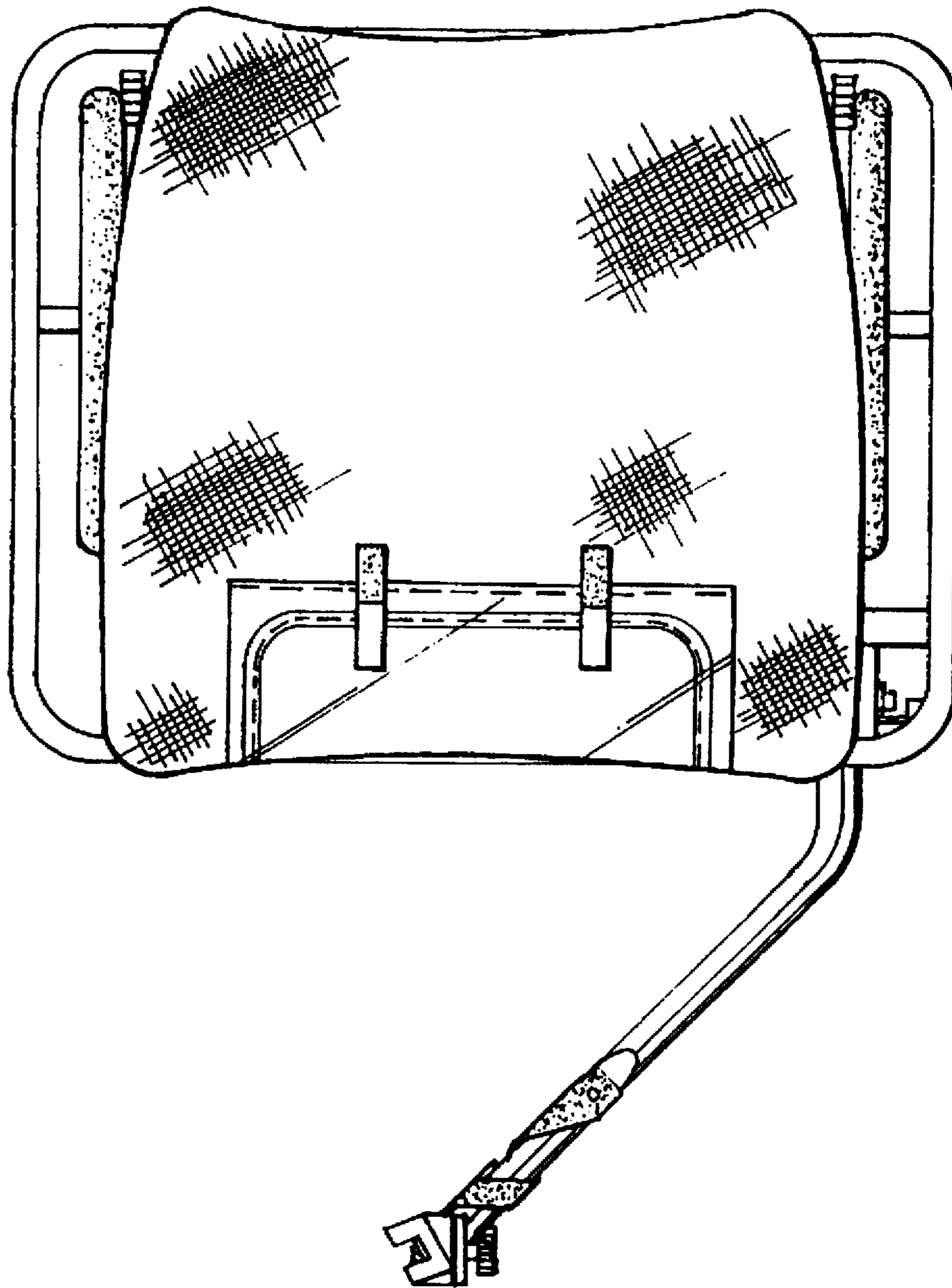


FIG. 6

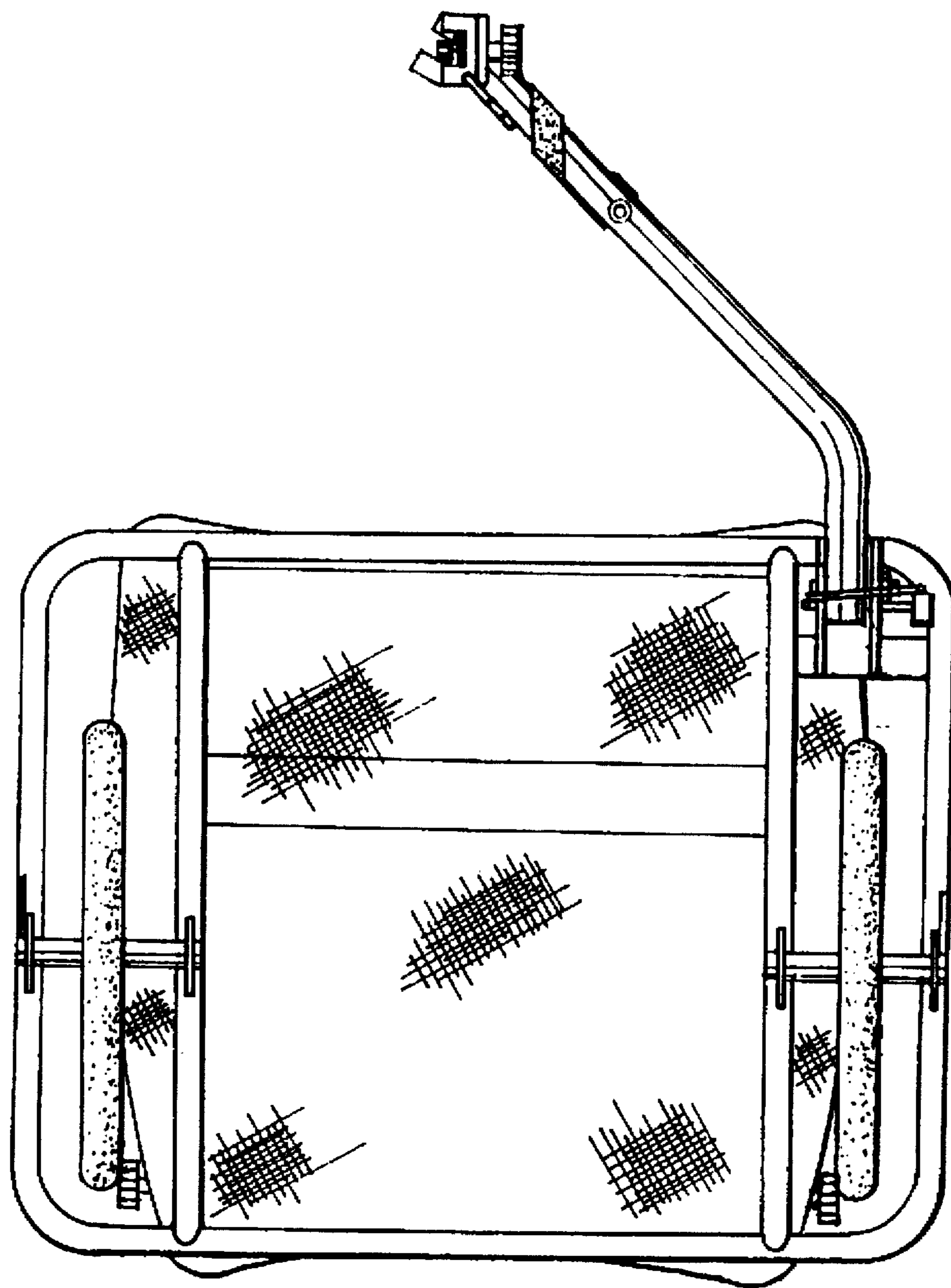


FIG. 7