



US00D383998S

**United States Patent** [19]  
**Condron**

[11] **Patent Number: Des. 383,998**

[45] **Date of Patent: \*\*Sep. 23, 1997**

[54] **EARRING**

[76] **Inventor: Paul J. Condron, 25 E. Norman Ave.,  
Dayton, Ohio 45429**

[\*\*] **Term: 14 Years**

[21] **Appl. No.: 52,155**

[22] **Filed: Mar. 25, 1996**

[51] **LOC (6) Cl. .... 11-01**

[52] **U.S. Cl. .... D11/40; D11/90**

[58] **Field of Search .... D11/40, 44, 43,  
D11/90, 92, 89, 75, 88; 63/12, 13, 20, 26,  
27**

[56] **References Cited**

**U.S. PATENT DOCUMENTS**

- D. 264,060 4/1982 Epstein ..... 63/13 X
- D. 265,641 8/1982 Bongiorno ..... D11/92

- D. 271,952 12/1983 Altman ..... D11/92 X
- D. 326,066 5/1992 Sprague ..... 63/13 X
- D. 337,741 7/1993 Garfolo ..... D11/40 X
- D. 348,413 7/1994 Grossbard ..... D11/90

*Primary Examiner*—Doris V. Coles  
*Assistant Examiner*—Catherine R. Oliver  
*Attorney, Agent, or Firm*—Jacox, Meckstroth & Jenkins

[57] **CLAIM**

The ornamental design of an earring, as shown and described.

**DESCRIPTION**

FIG. 1 is a front view of an earring showing my new design; FIG. 2 is a side elevational view thereof; FIG. 3 is an opposite side elevational view thereof; FIG. 4 is another side elevational view thereof; and, FIG. 5 is a rear view.

**1 Claim, 1 Drawing Sheet**

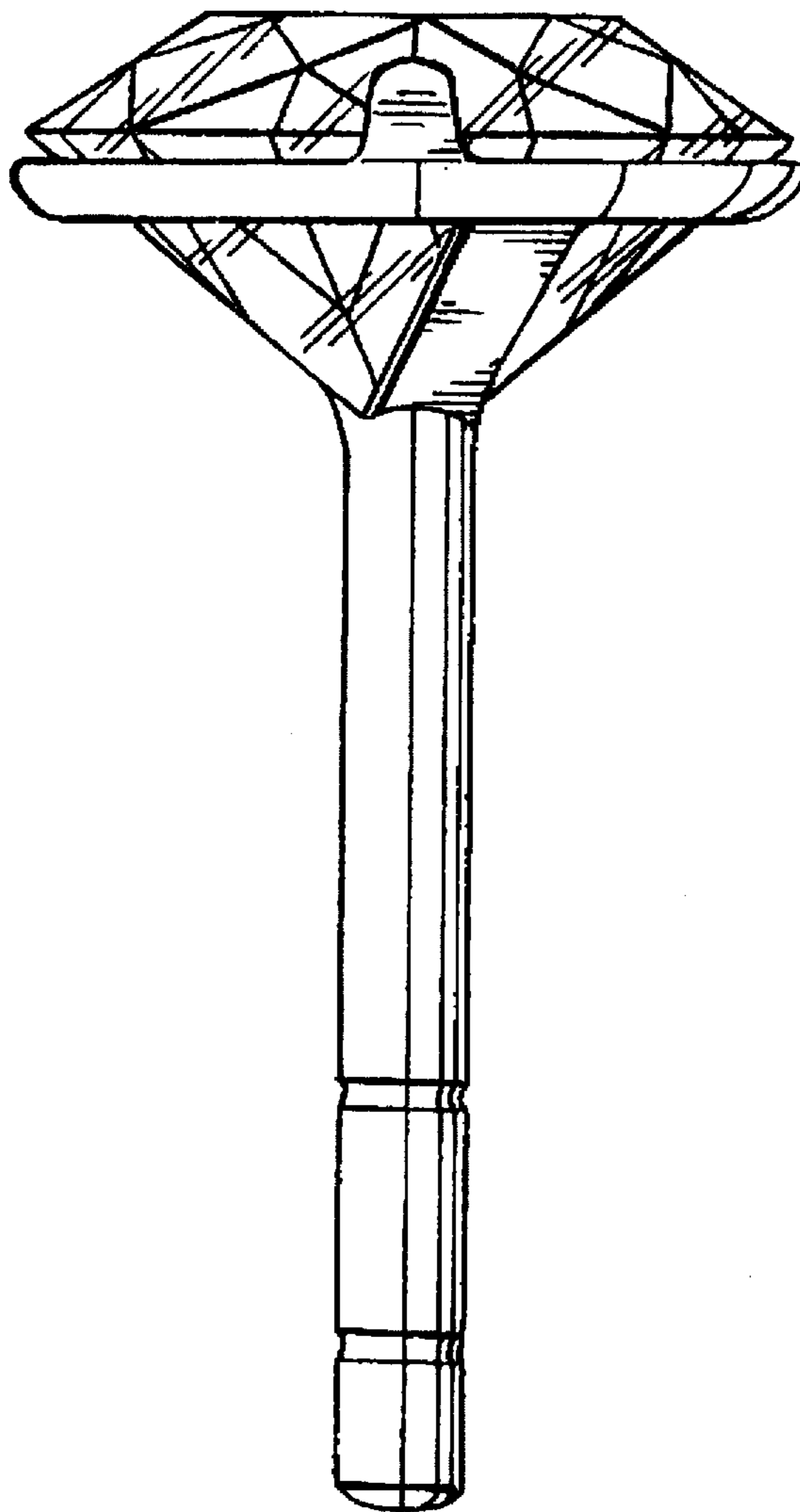


FIG-1

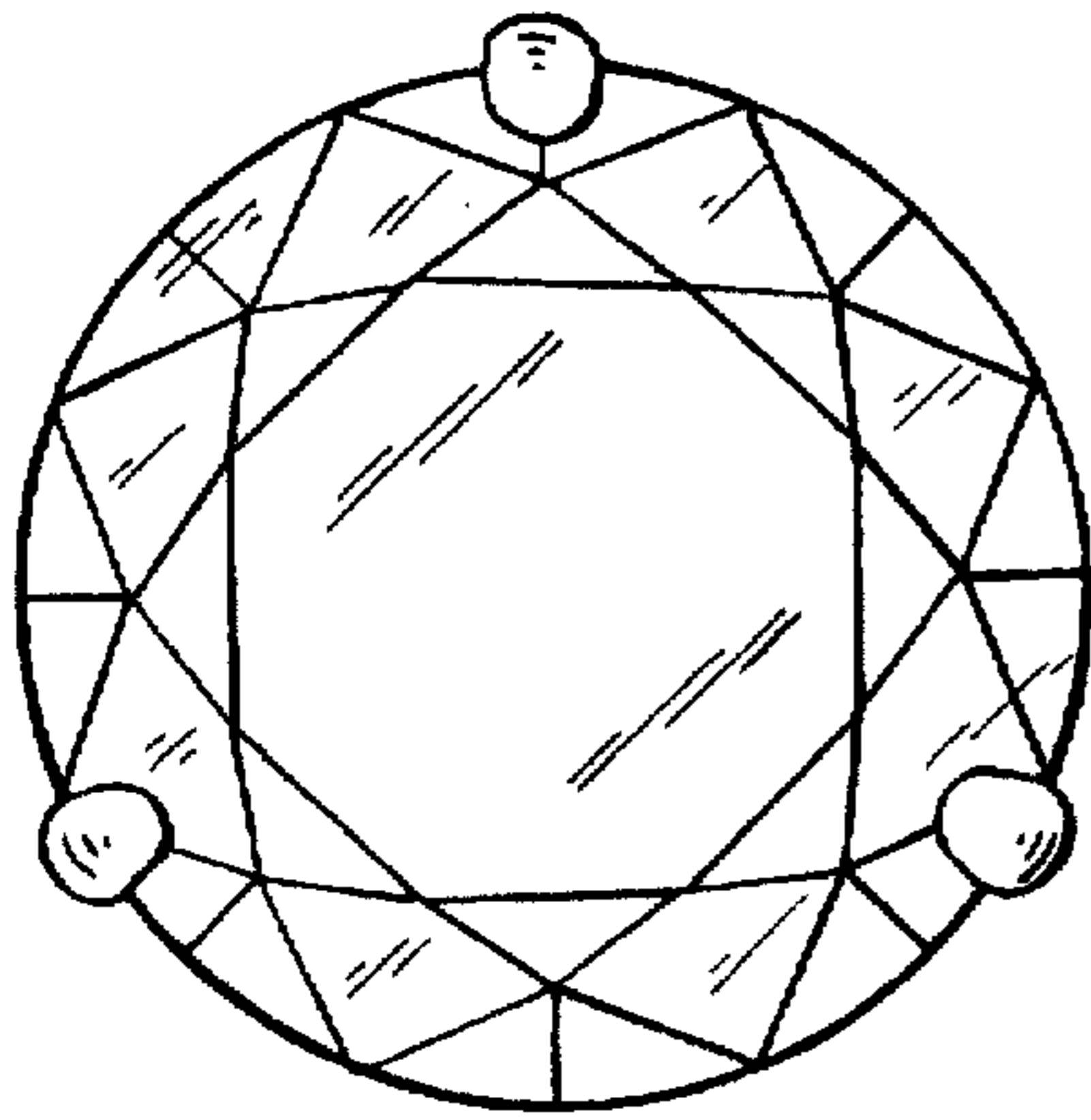


FIG-2

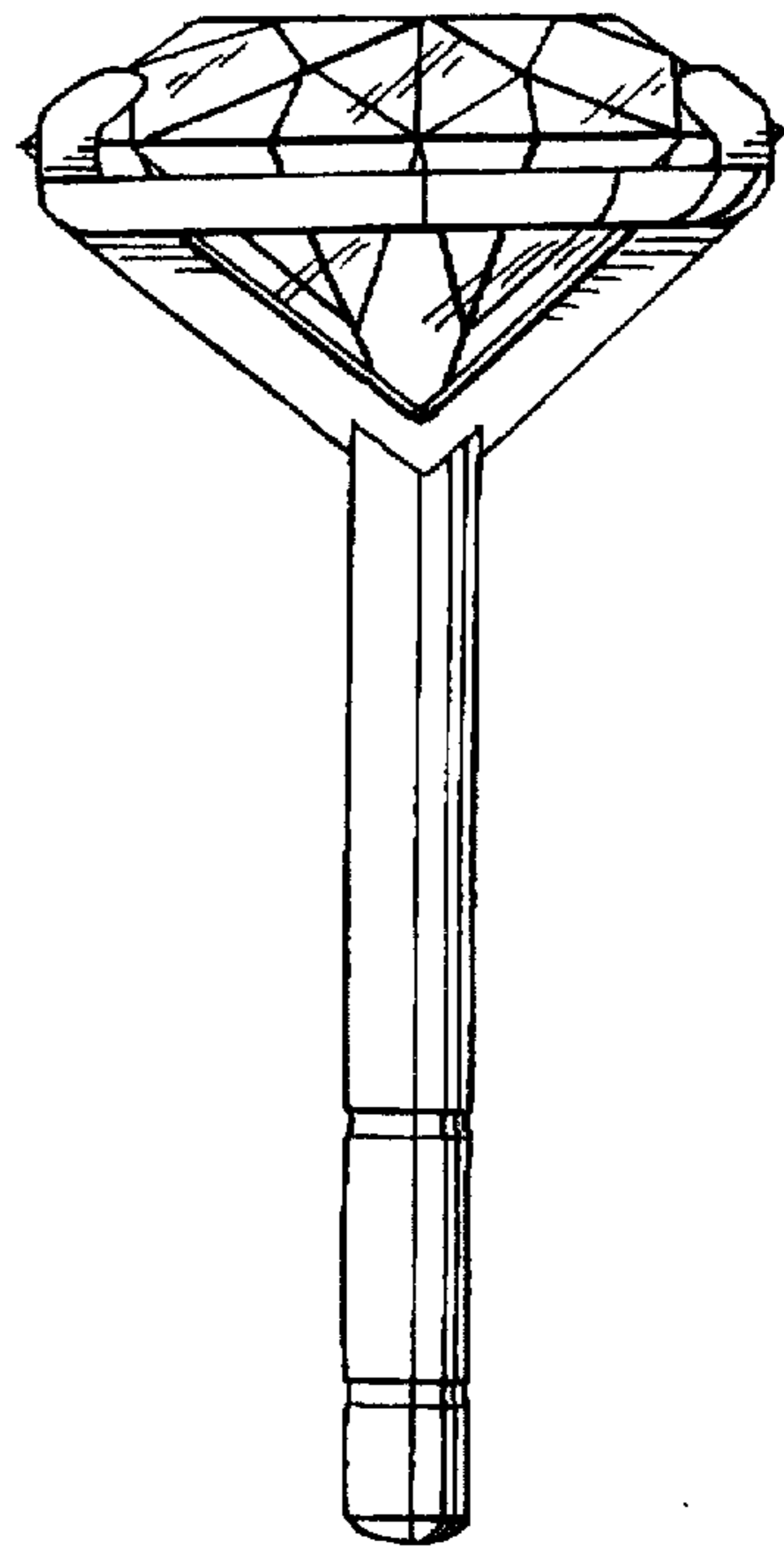


FIG-3

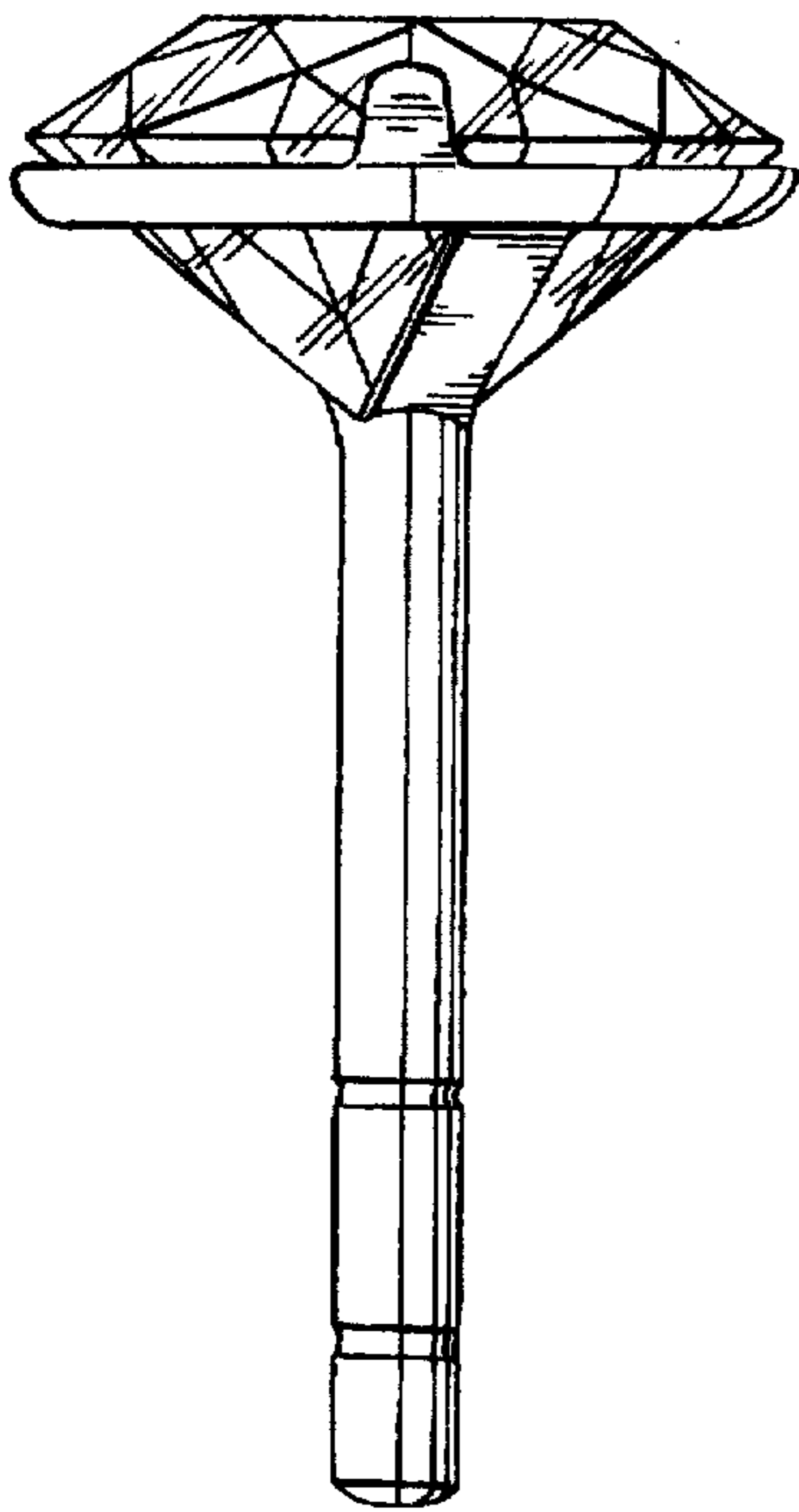


FIG-4

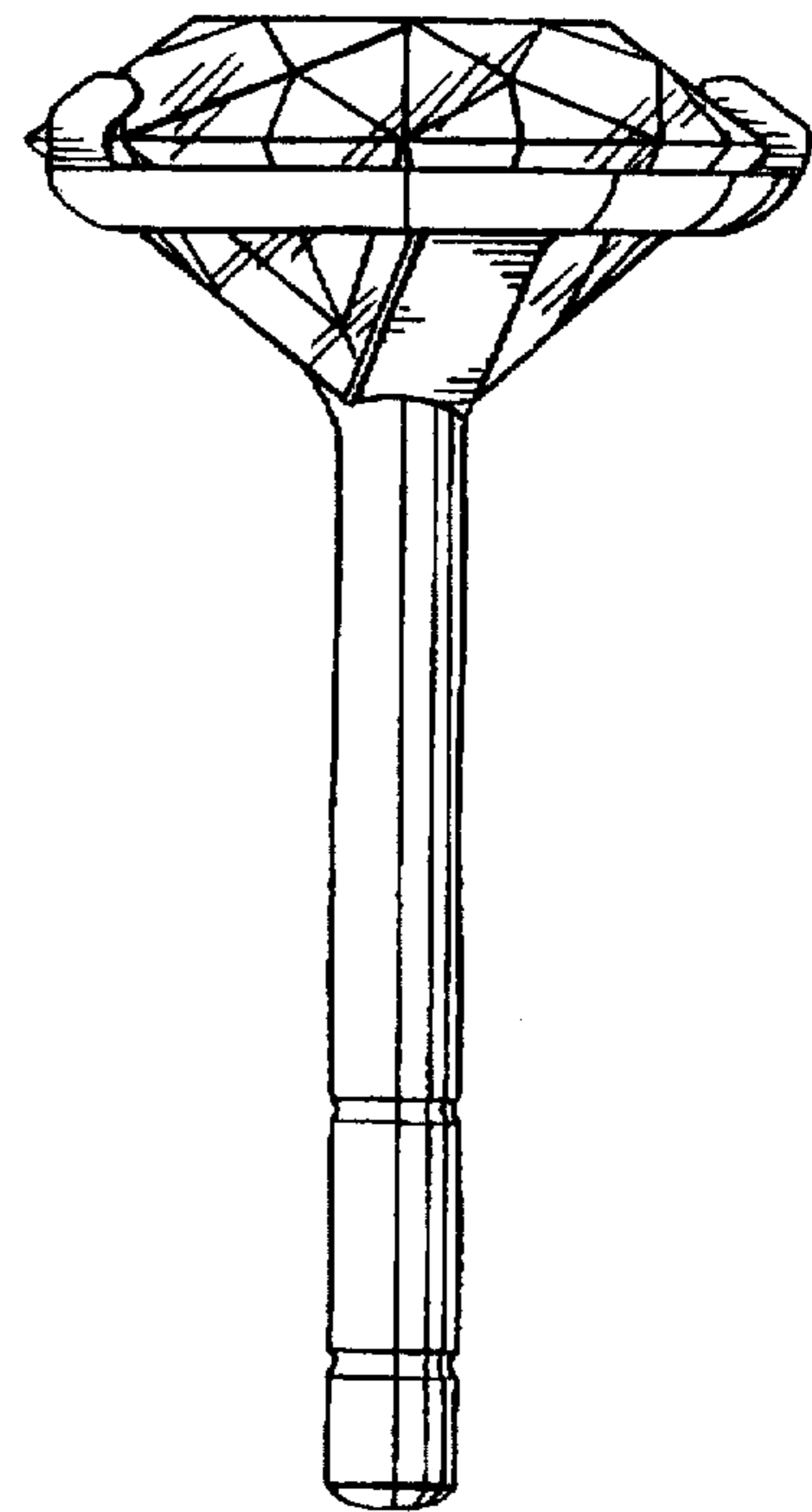


FIG-5

