



US00D383992S

United States Patent [19]

[11] Patent Number: **Des. 383,992**

Mori

[45] Date of Patent: ****Sep. 23, 1997**

[54] OCEAN BUOY

D. 319,407 8/1991 Paulovitz et al. D10/107
D. 363,445 10/1995 Warner et al. D10/107

[75] Inventor: **Yoji Mori**, Tokyo, Japan

Primary Examiner—Marcus A. Jackson
Attorney, Agent, or Firm—Oliff & Berridge

[73] Assignee: **World Chemical Co., Ltd.**, Tokyo, Japan

[57] **CLAIM**

[**] Term: **14 Years**

The ornamental design for ocean buoy, as shown and described.

[21] Appl. No.: **46,374**

DESCRIPTION

[22] Filed: **Nov. 13, 1995**

[30] **Foreign Application Priority Data**

FIG. 1 is a front elevational view of the ocean buoy;
FIG. 2 is a rear elevational view thereof;
FIG. 3 is a right hand side elevational view thereof;
FIG. 4 is a left hand side elevational view thereof;
FIG. 5 is a top plan view thereof;
FIG. 6 is a cross-sectional view thereof along line 6—6 of FIG. 5;
FIG. 7 is a bottom view thereof; and,
FIG. 8 is a perspective view thereof.

May 19, 1995 [JP] Japan 7-14117

[51] LOC (6) Cl. **10-05**

[52] U.S. Cl. **D10/107**

[58] Field of Search D10/104, 107,
D10/109, 121; 441/2, 3, 6, 7, 12, 13, 16,
20, 32, 33

[56] **References Cited**

U.S. PATENT DOCUMENTS

D. 291,289 8/1987 Leo D10/107

1 Claim, 5 Drawing Sheets

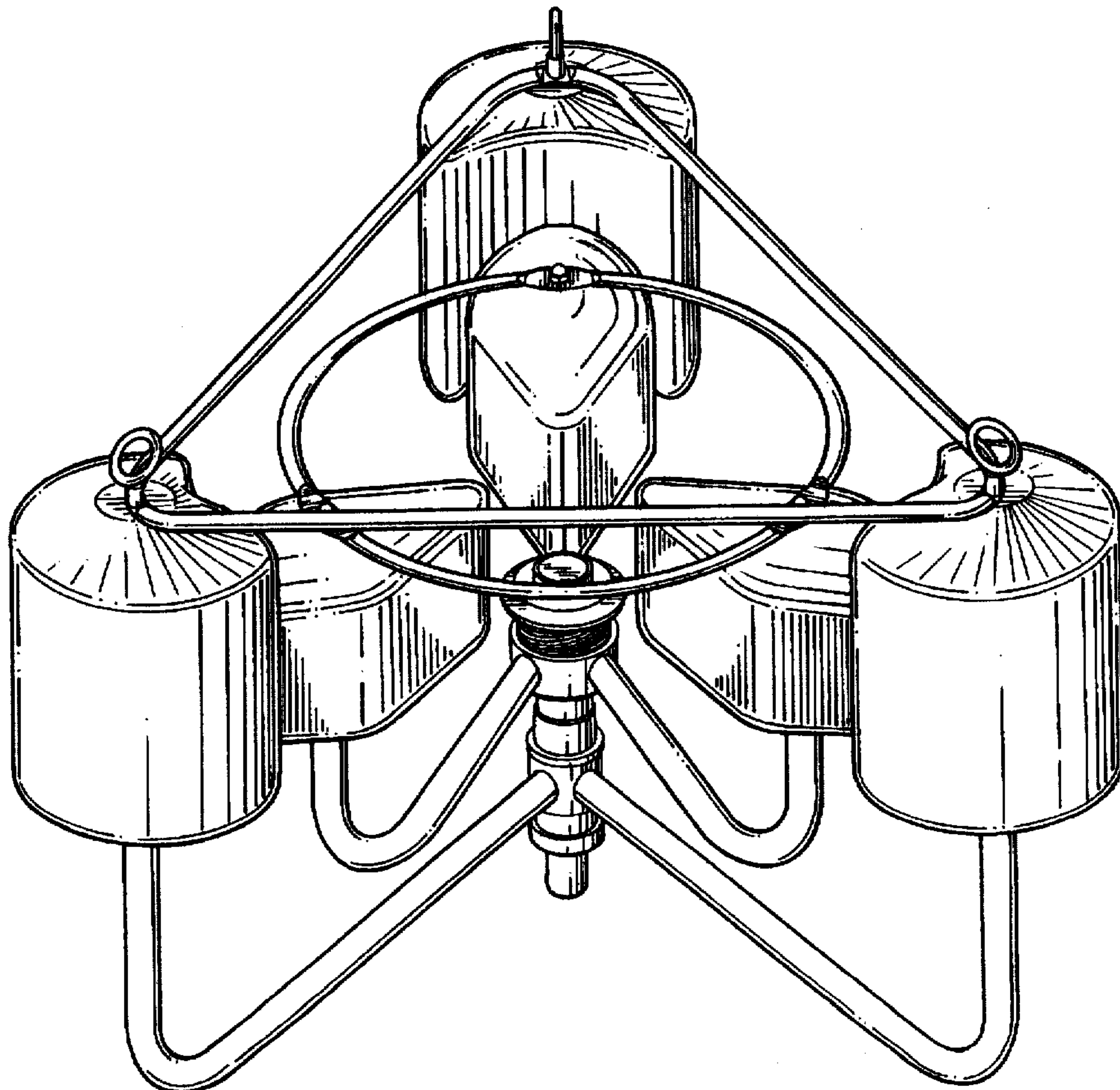


FIG. 1

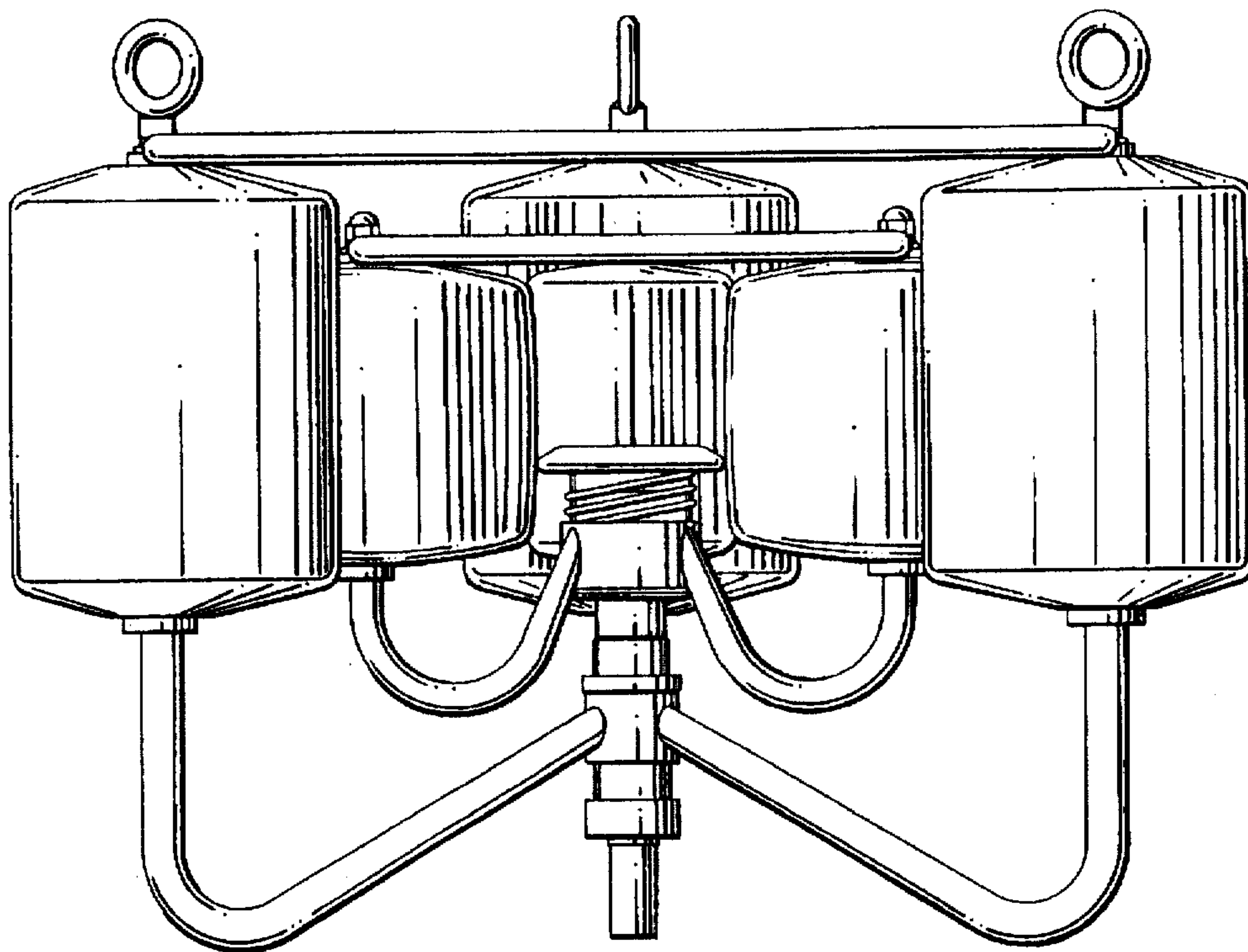


FIG. 2

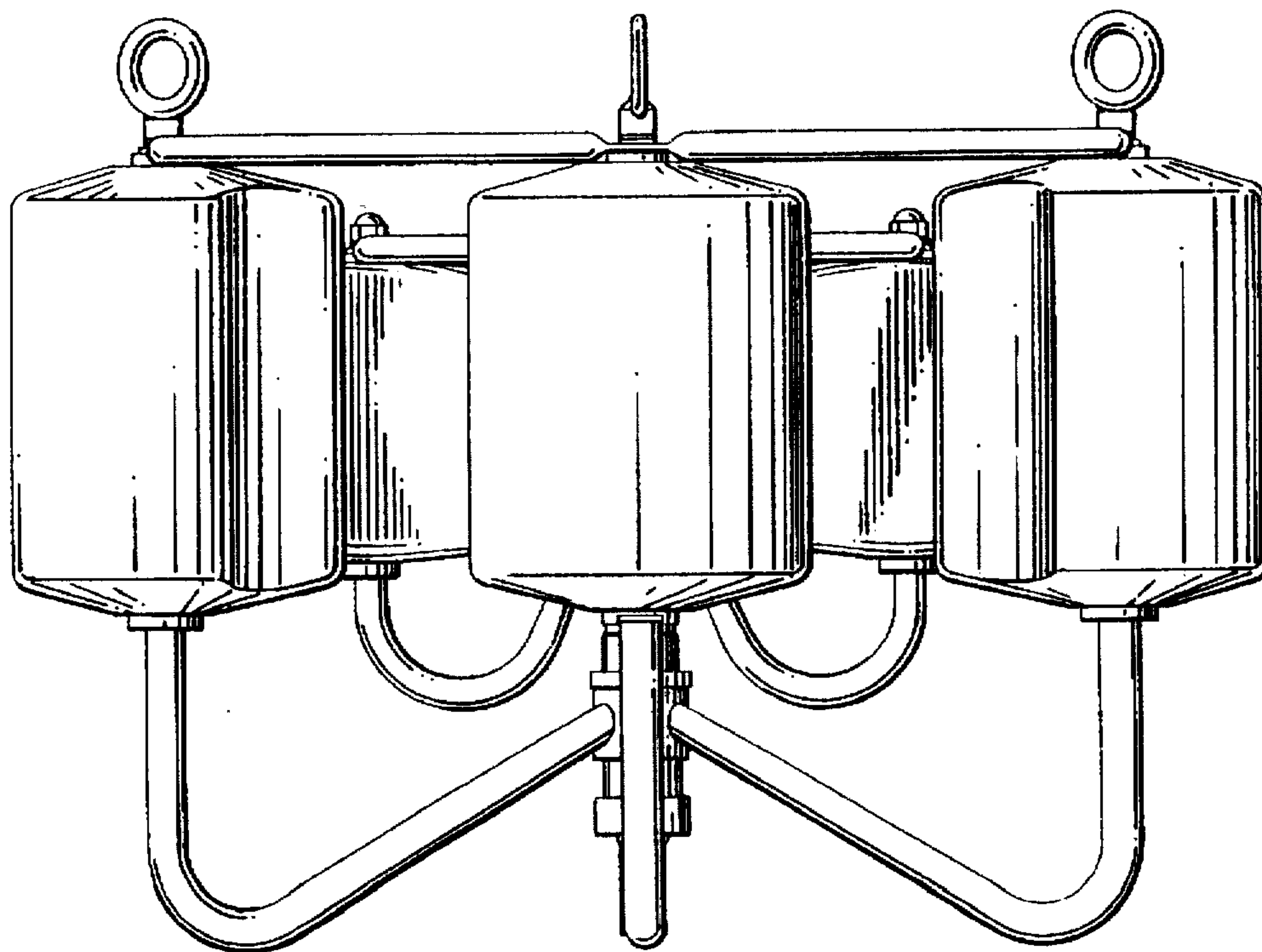


FIG. 3

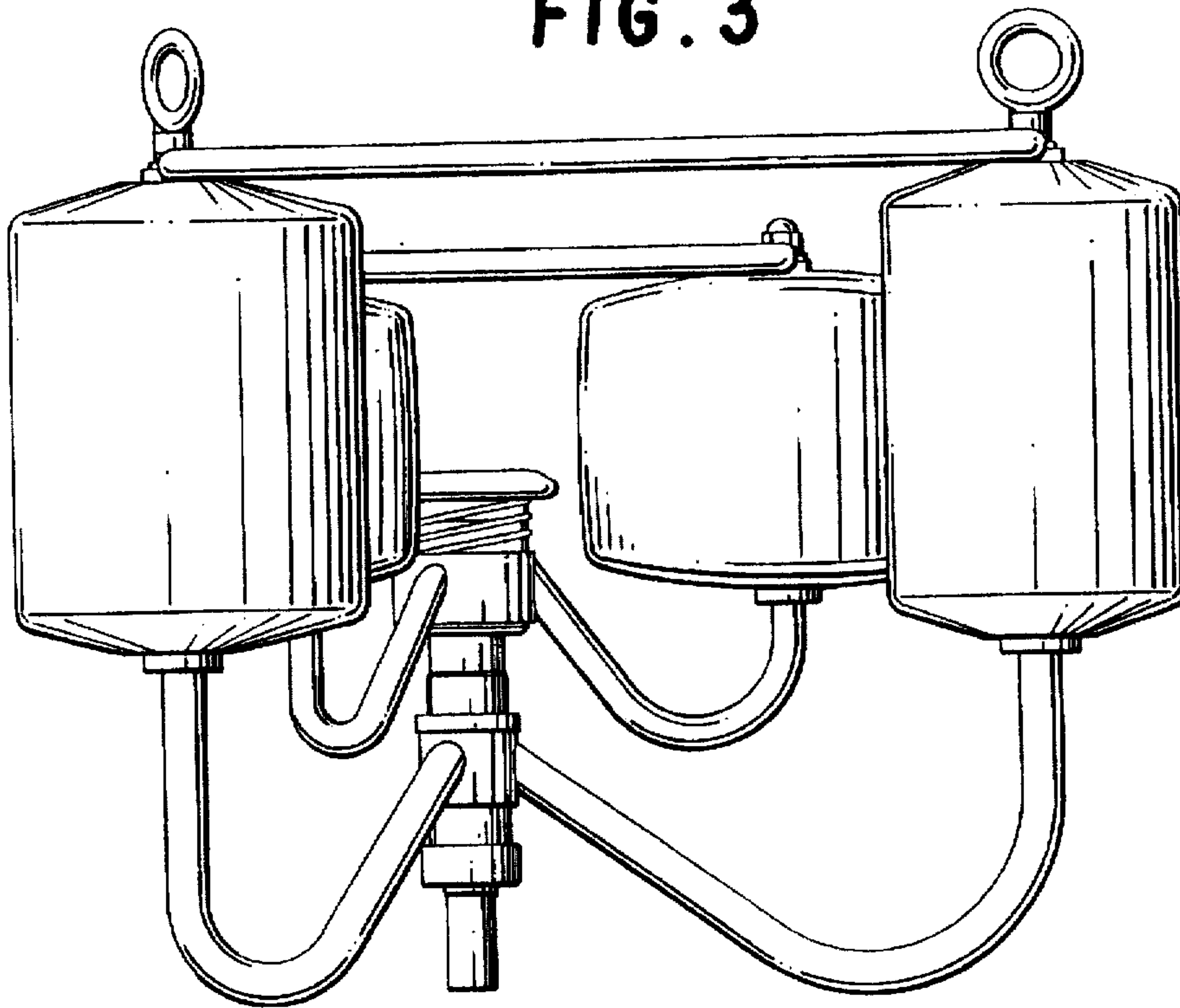
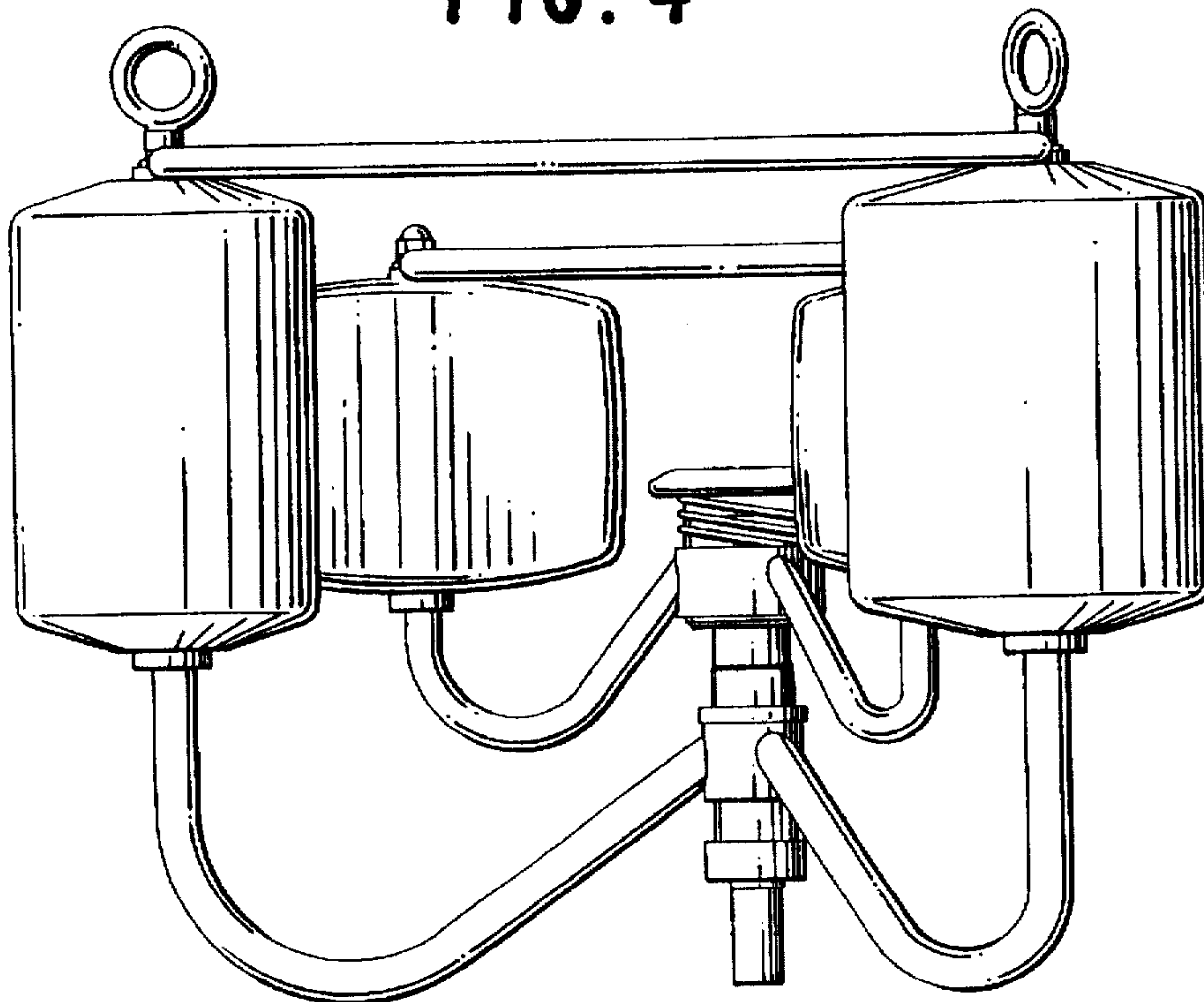


FIG. 4



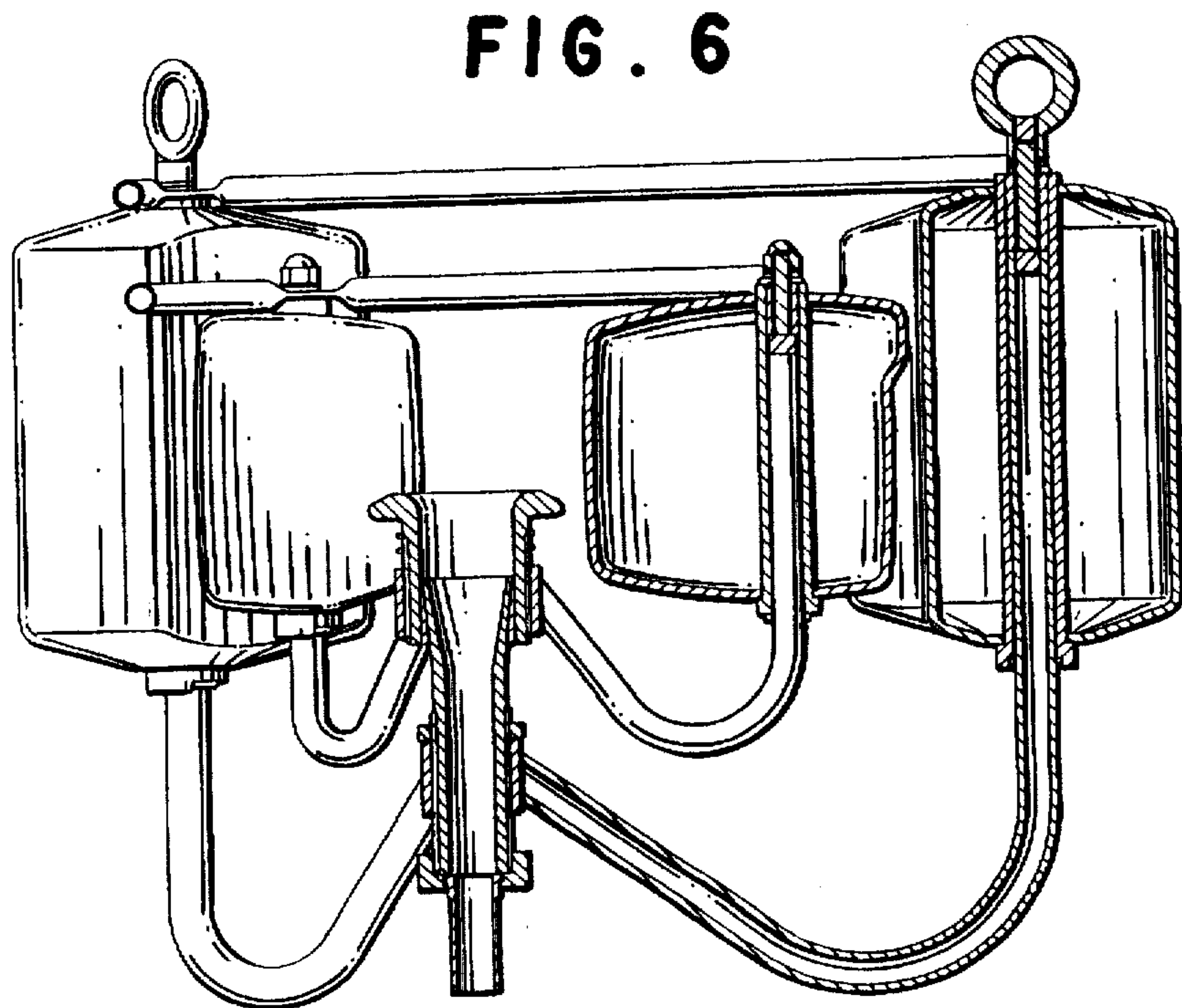
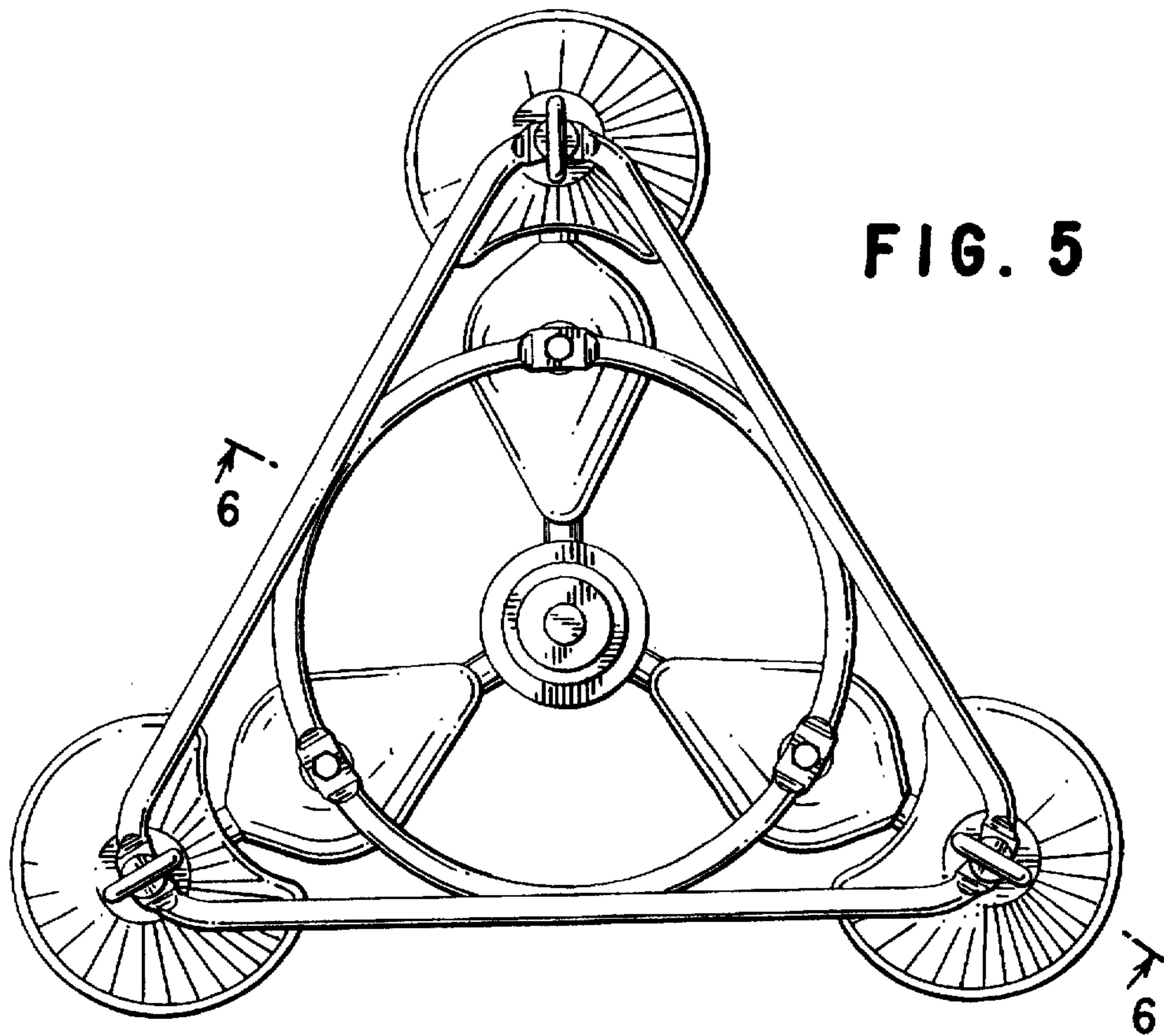


FIG. 7

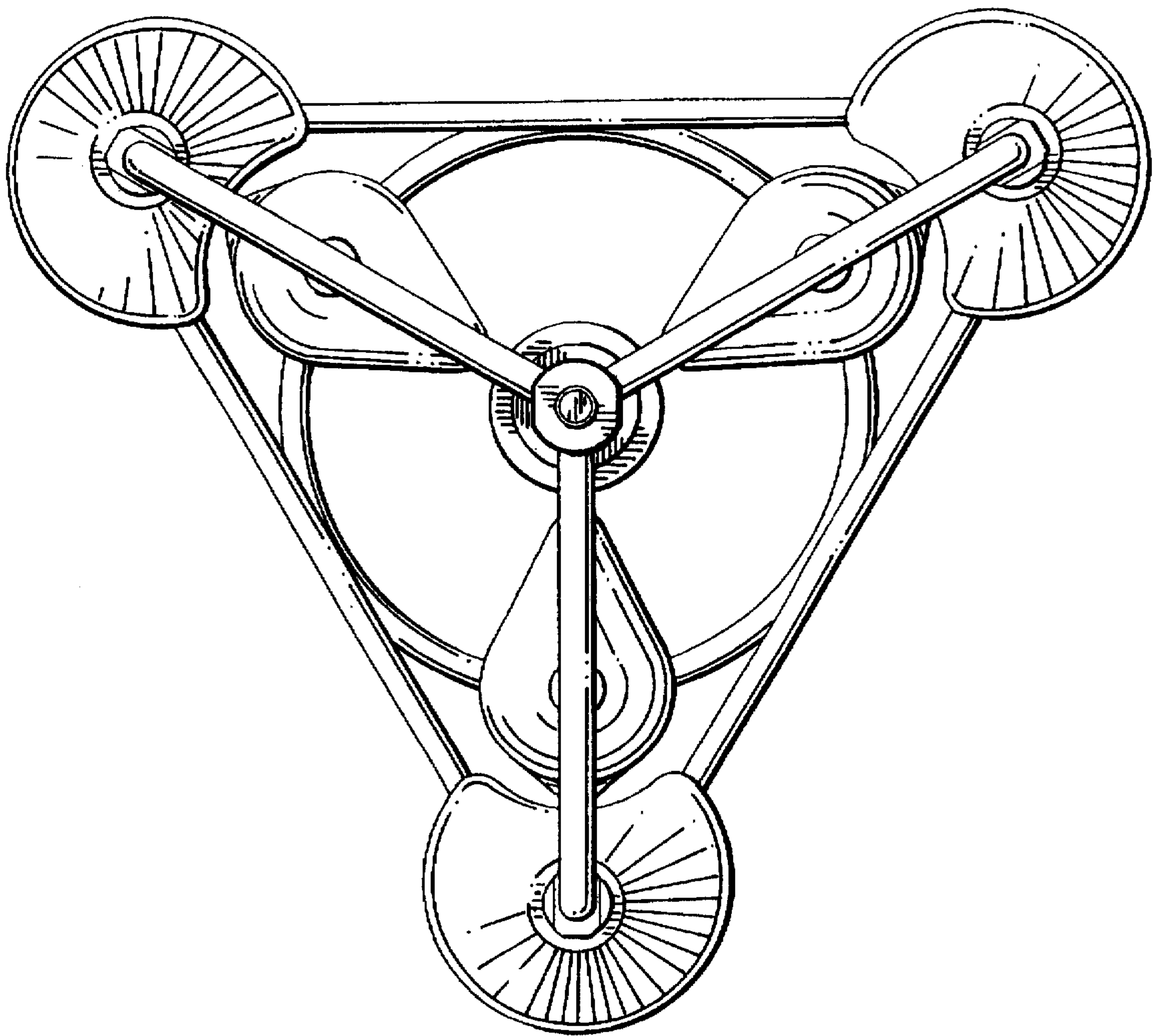


FIG. 8

