



US00D383991S

United States Patent [19]

Leyden et al.

[11] Patent Number: **Des. 383,991**

[45] Date of Patent: ****Sep. 23, 1997**

[54] SECURITY CLIP FOR GARMENT

[76] Inventors: **Roger J. Leyden**, 11303 German Church Rd., Willow Springs, Ill. 60480;
Terrance Surma, 265 Oxford La., Bloomingdale, Ill. 60108

[**] Term: **14 Years**

[21] Appl. No.: **49,271**

[22] Filed: **Jan. 22, 1996**

[51] LOC (6) Cl. **10-05**

[52] U.S. Cl. **D10/104**

[58] Field of Search D10/104, 106,
D10/116, 121; 340/540, 545, 571, 572,
573, 568

[56] References Cited

U.S. PATENT DOCUMENTS

D. 343,135	1/1994	Witzky et al.	D10/106
D. 343,368	1/1994	Witzky et al.	D10/106
D. 346,126	4/1994	Hedrikx	D10/106
D. 352,913	11/1994	Garner et al.	D10/106
D. 353,115	12/1994	Garner et al.	D10/106

Primary Examiner—Marcus A. Jackson
Attorney, Agent, or Firm—Wood, Phillips, VanSanten, Clark & Mortimer

[57] CLAIM

The ornamental design for a security clip for garment, as shown and described.

DESCRIPTION

FIG. 1 is a top, front and right side perspective view of our design for a security clip for garment in a closed state;

FIG. 2 is a plan view thereof;

FIG. 3 is a rear elevation view thereof;

FIG. 4 is a right side elevation view thereof;

FIG. 5 is a front elevation view thereof;

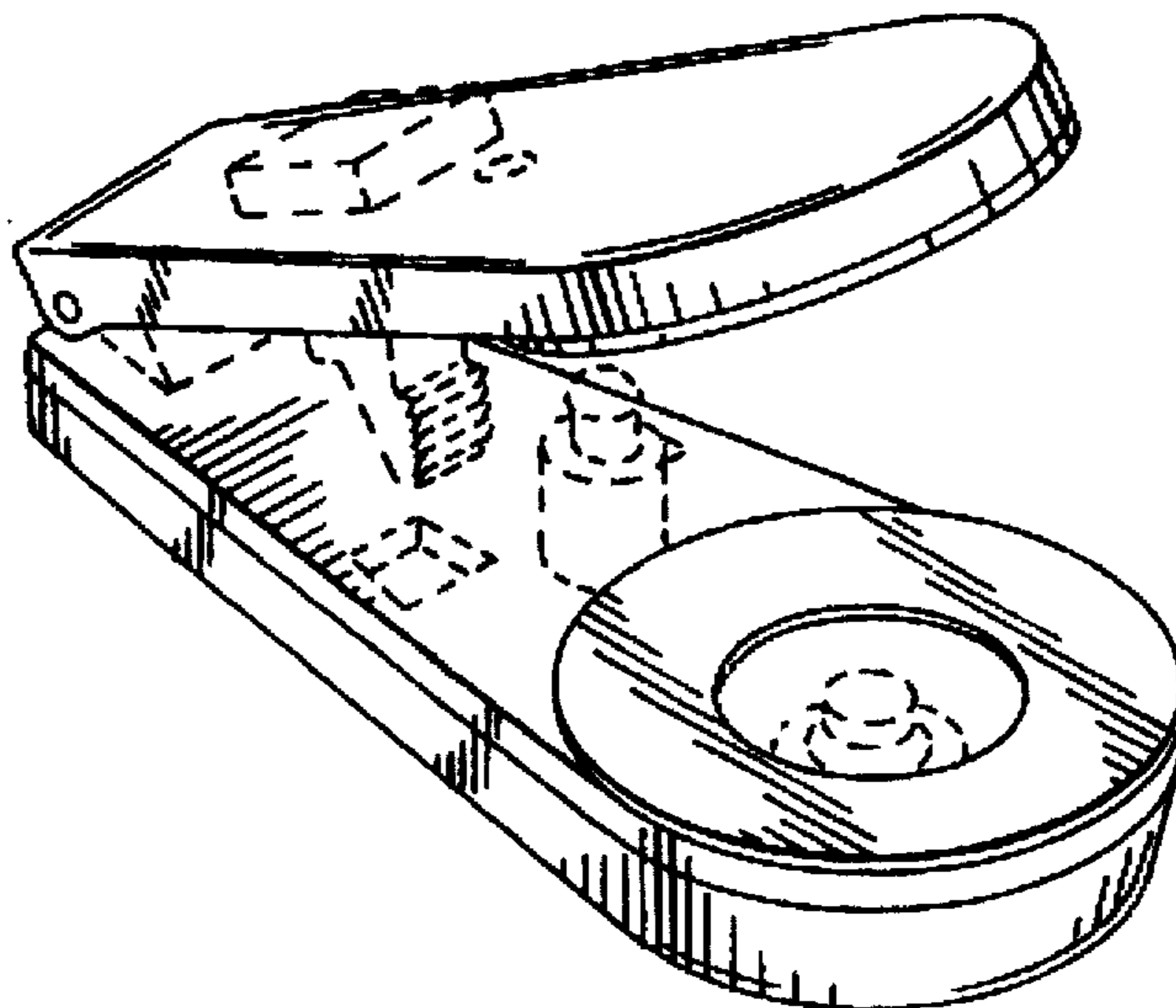
FIG. 6 is a bottom view thereof; and,

FIG. 7 is a view as in FIG. 1 but in an open state.

The left side view, which is not shown, is a mirror image of the right side view of FIG. 4.

That which is in dotted lines does not form part of the claimed invention.

1 Claim, 2 Drawing Sheets



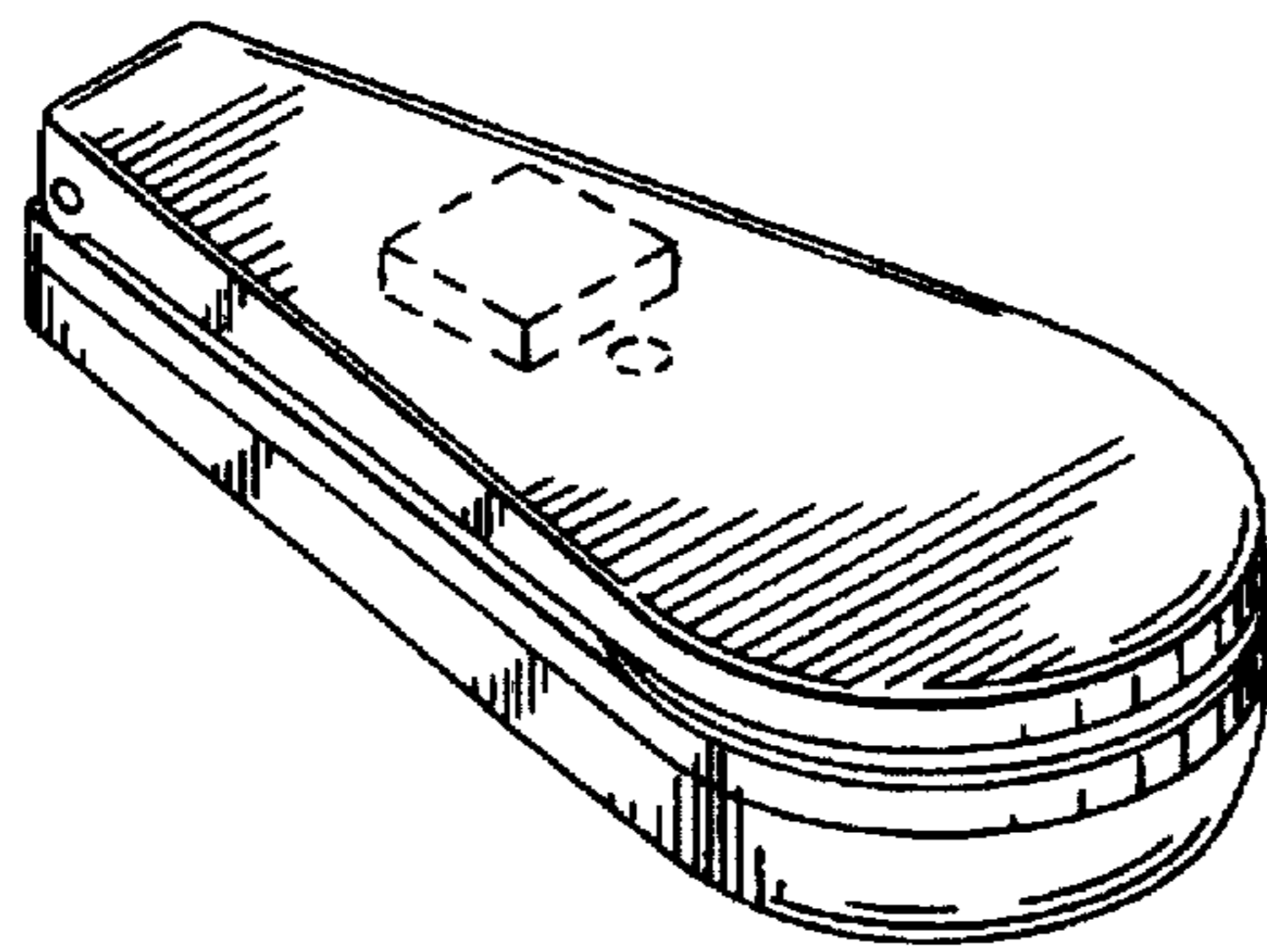


FIG. 1

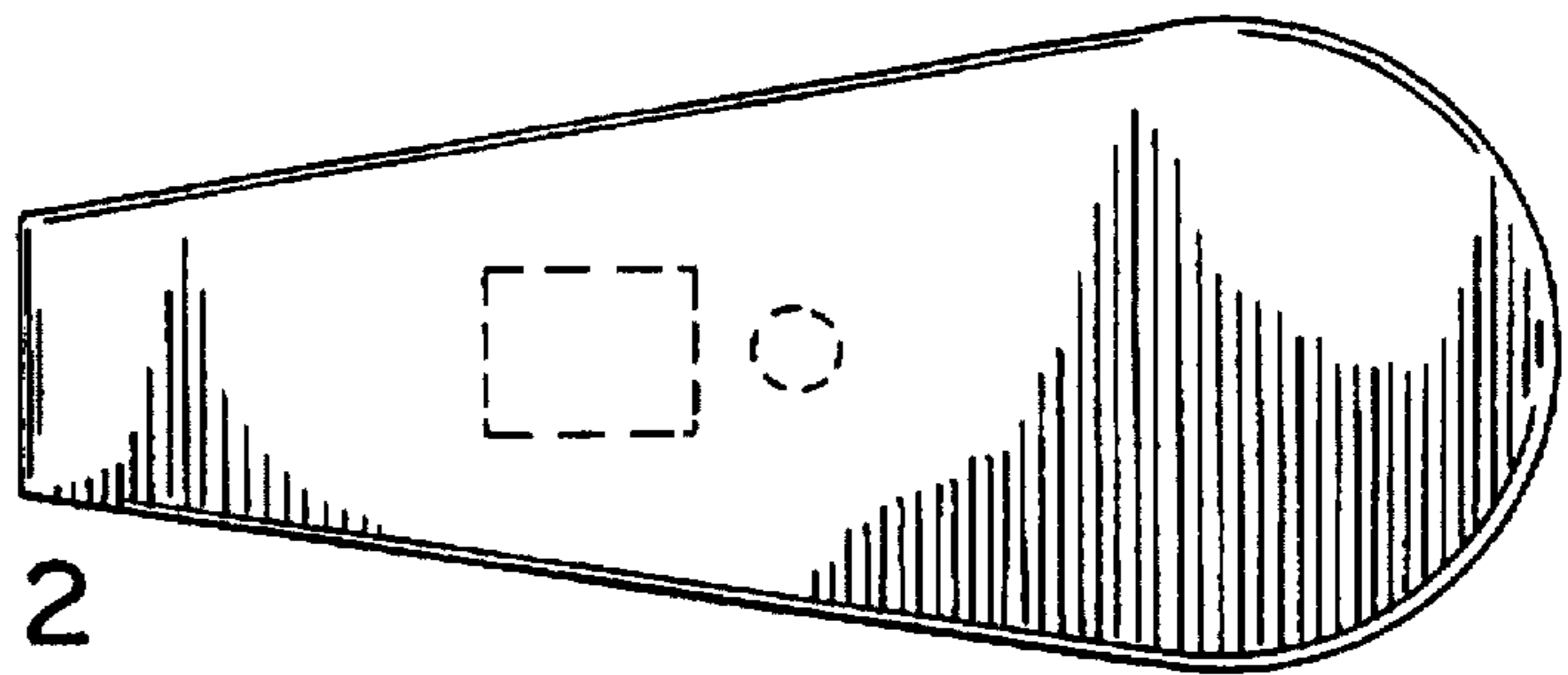


FIG. 2

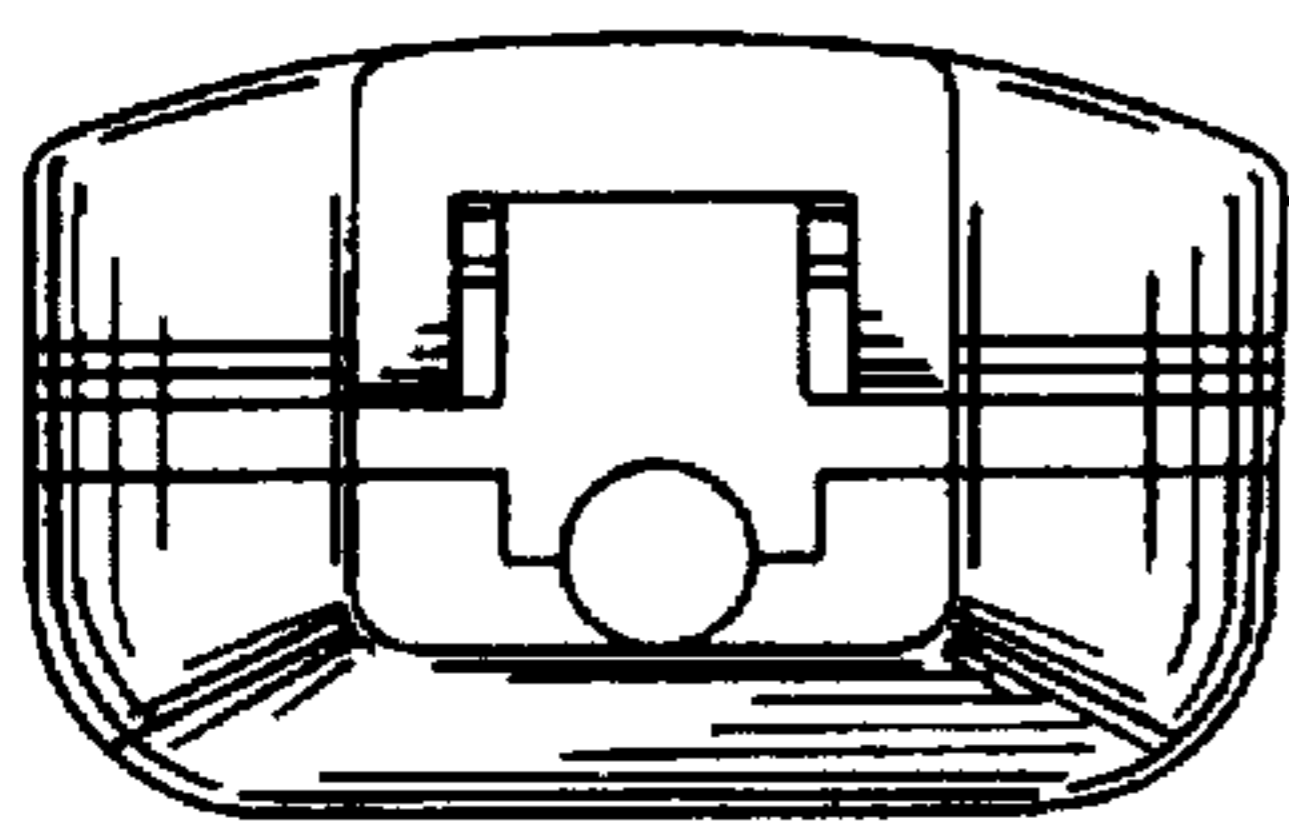


FIG. 3

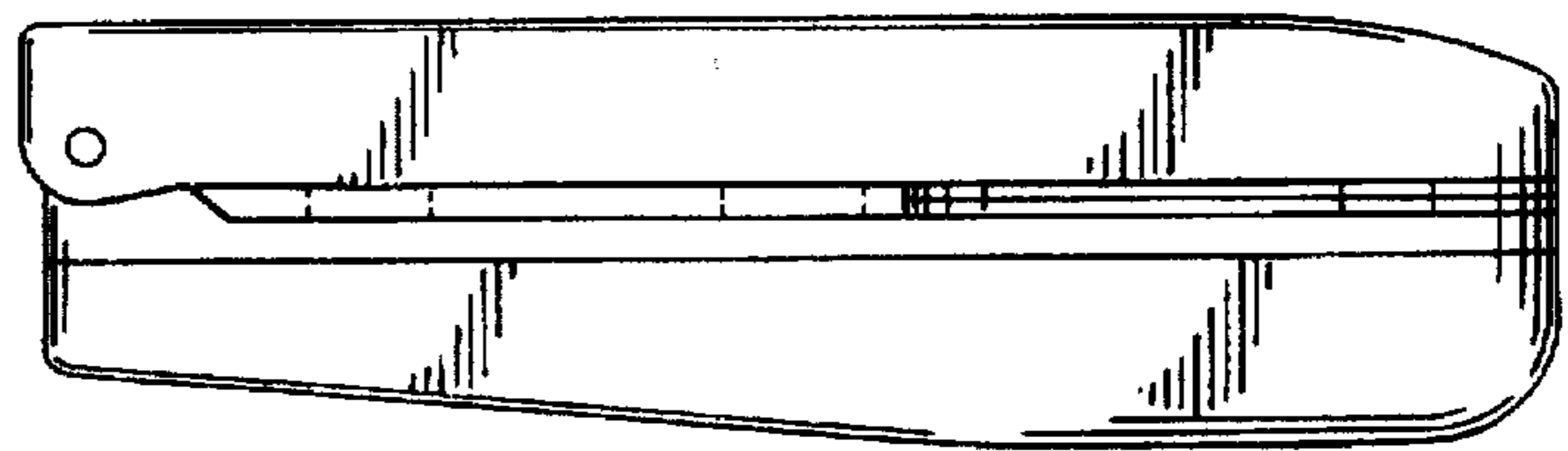


FIG. 4

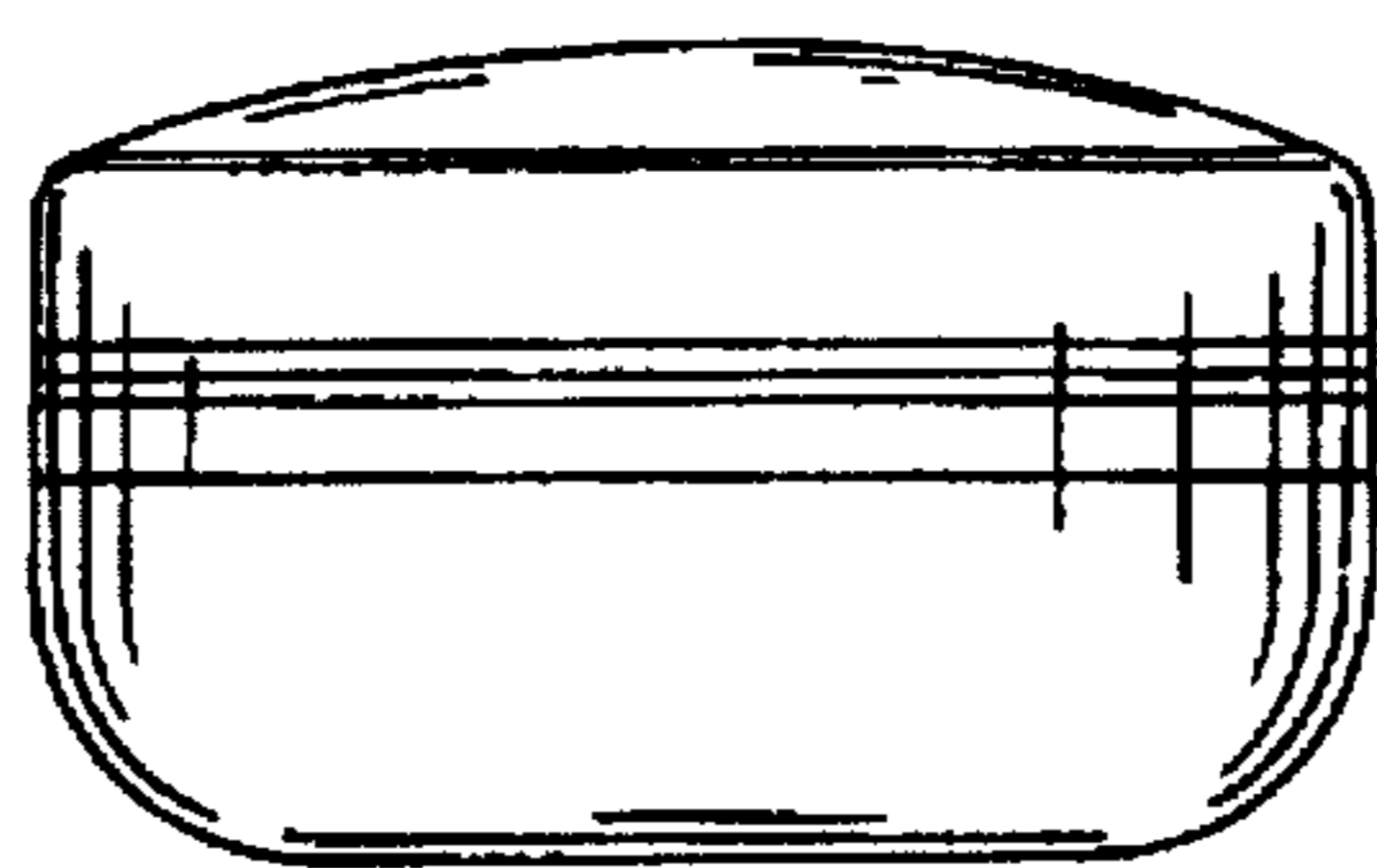


FIG. 5

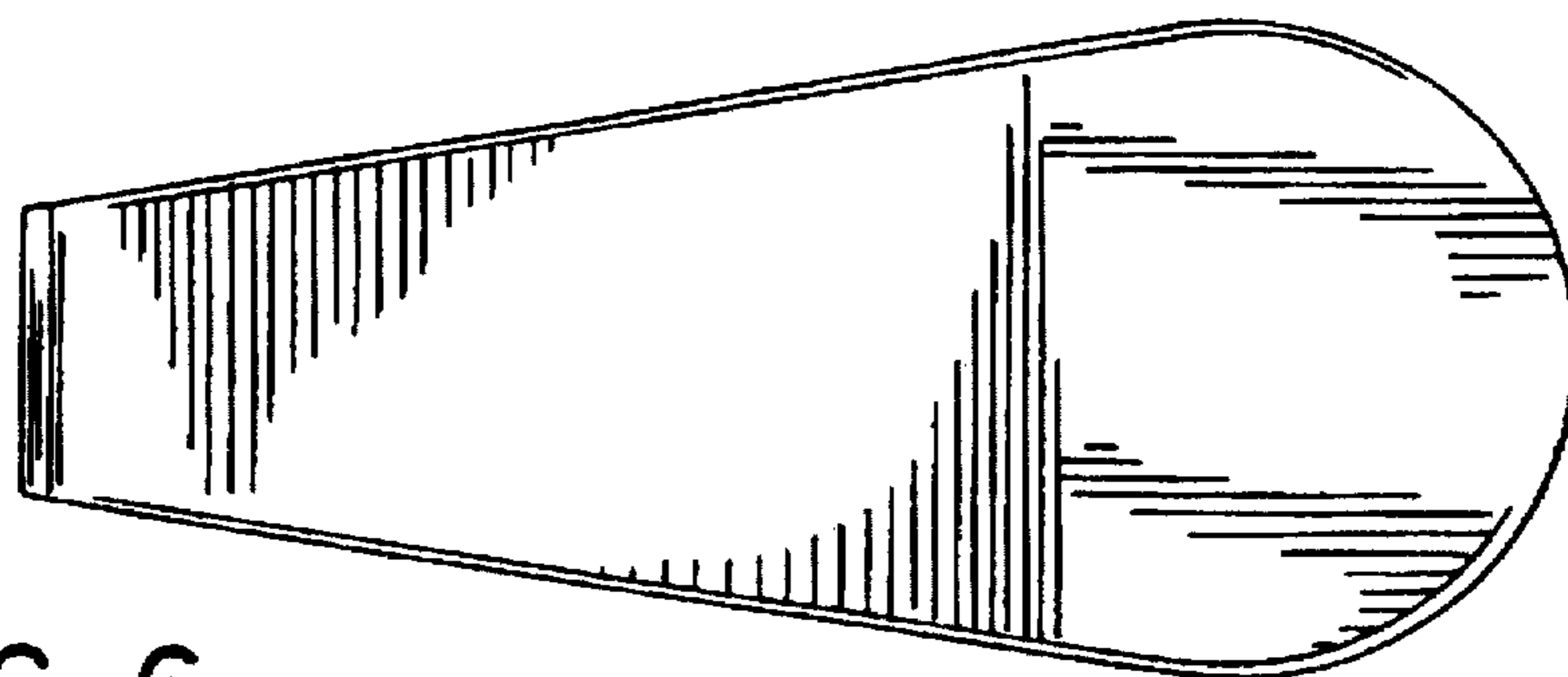


FIG. 6

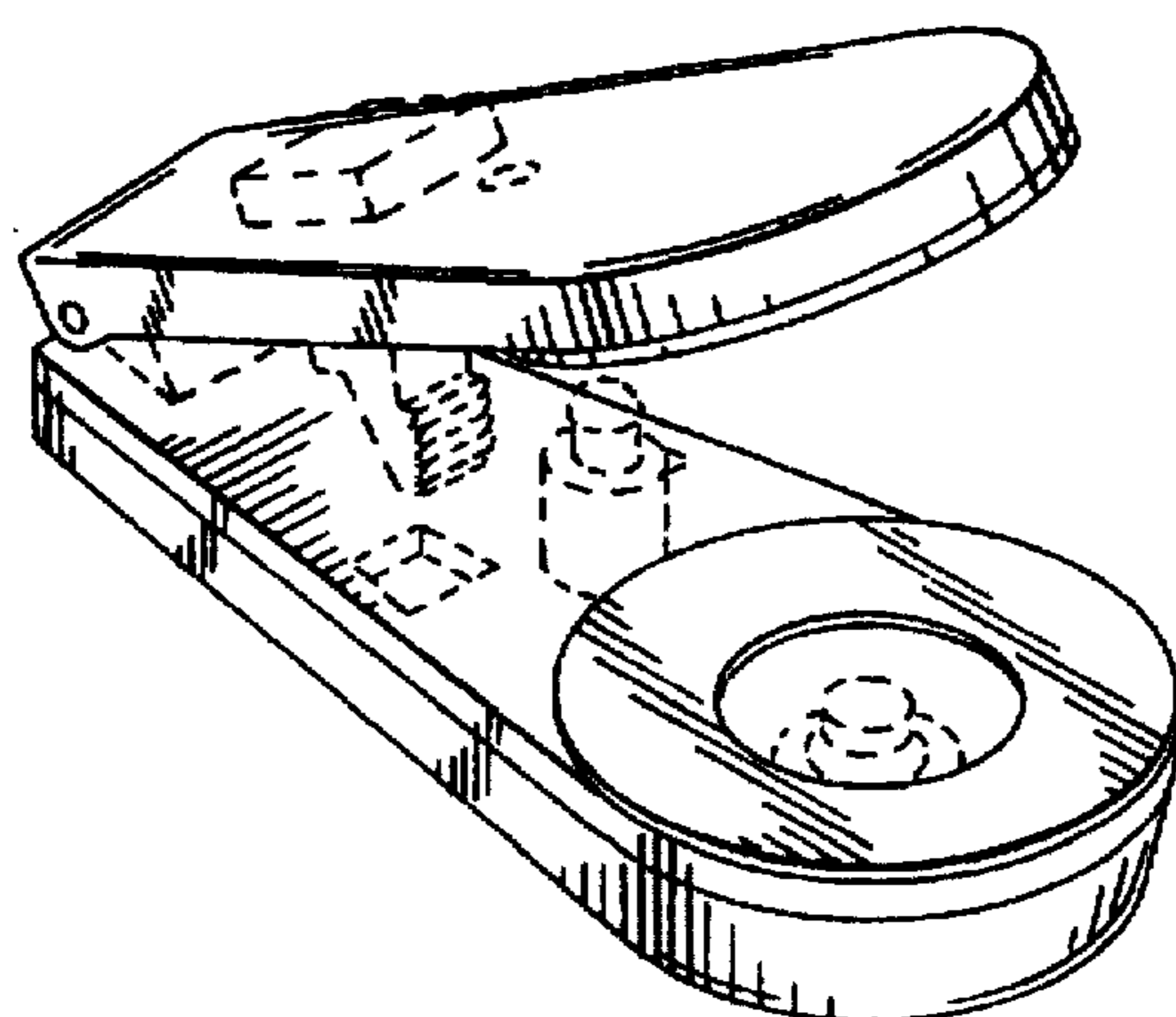


FIG. 7