



US00D383990S

United States Patent [19]

Ropponen et al.

[11] Patent Number: **Des. 383,990**

[45] Date of Patent: ****Sep. 23, 1997**

[54] INSPECTION WINDOW

[75] Inventors: **Matti Ropponen, Espoo; Heikki Meriläinen, Helsinki, both of Finland**

[73] Assignee: **Fibox Oy AB, Jorvas, Finland**

[**] Term: **14 Years**

[21] Appl. No.: **55,169**

[22] Filed: **May 31, 1996**

[30] **Foreign Application Priority Data**

Dec. 1, 1995 [KR] Rep. of Korea 95-23364

[51] LOC (6) Cl. **10-04**

[52] U.S. Cl. **D10/103**

[58] Field of Search D10/49, 103; D13/173, D13/177, 184; D25/52, 53, 54; D12/182, 183, 192; D14/115; 124/50, 50.5, 50.51-50.64, 51, 52.1-52.6, 53-65 R, 66; 220/3.2, 3.94, 3.8, 4.02

[56] **References Cited**

U.S. PATENT DOCUMENTS

- D. 342,690 12/1993 Jue et al. D10/103
- 3,405,834 10/1968 Butler et al. 220/3.4
- 5,547,095 8/1996 Sonntag et al. 220/3.8

Primary Examiner—Antoine Duval Davis
Attorney, Agent, or Firm—Finnegan, Henderson, Farabow, Garrett & Dunner

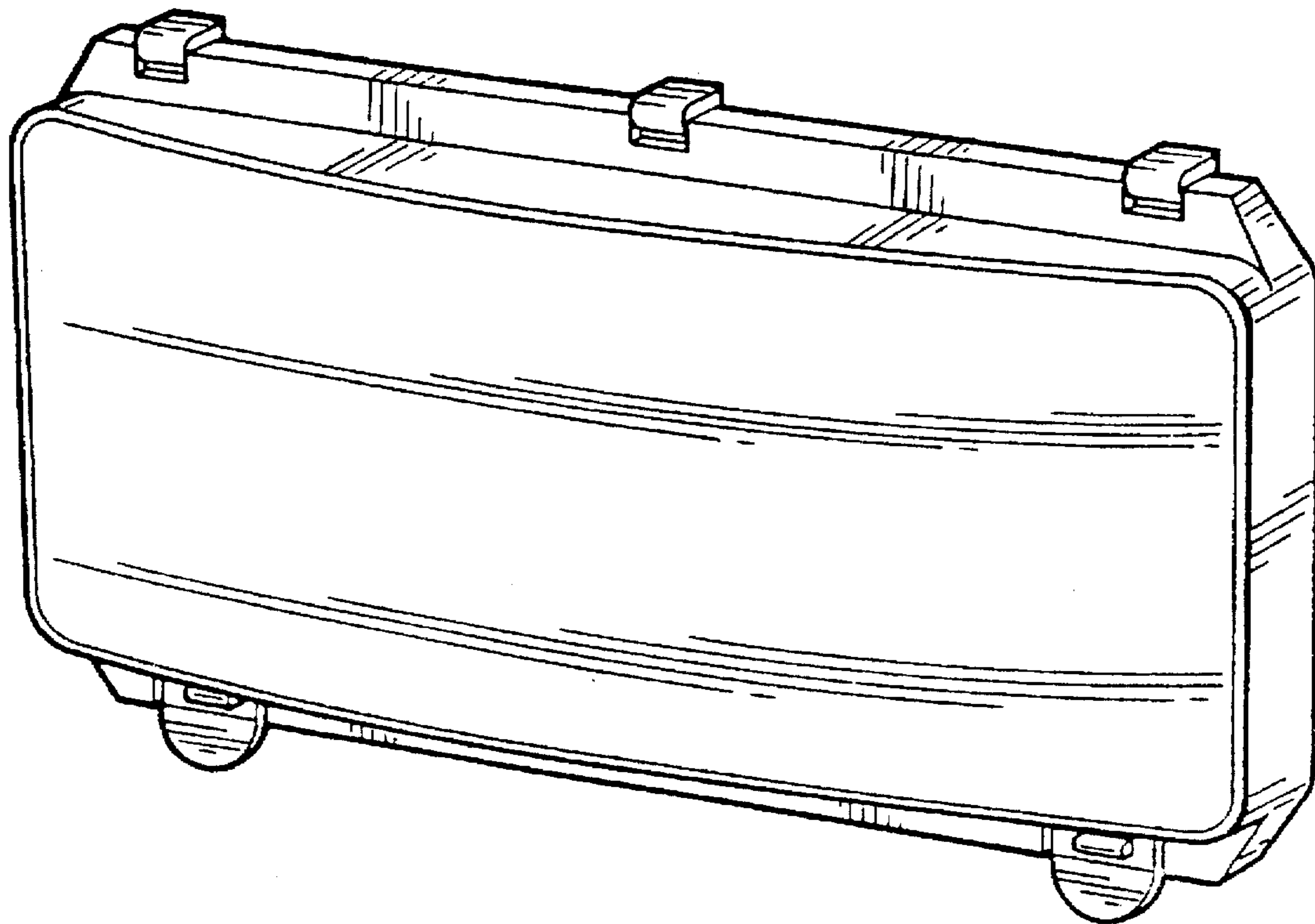
[57] **CLAIM**

The ornamental design for an inspection window, as shown and described.

DESCRIPTION

FIG. 1 is a perspective front view showing our new design; FIG. 2 is a front view thereof; FIG. 3 is a left side view thereof; FIG. 4 is a top view thereof; FIG. 5 is a bottom view thereof; and, FIG. 6 is a rear view thereof.

1 Claim, 2 Drawing Sheets



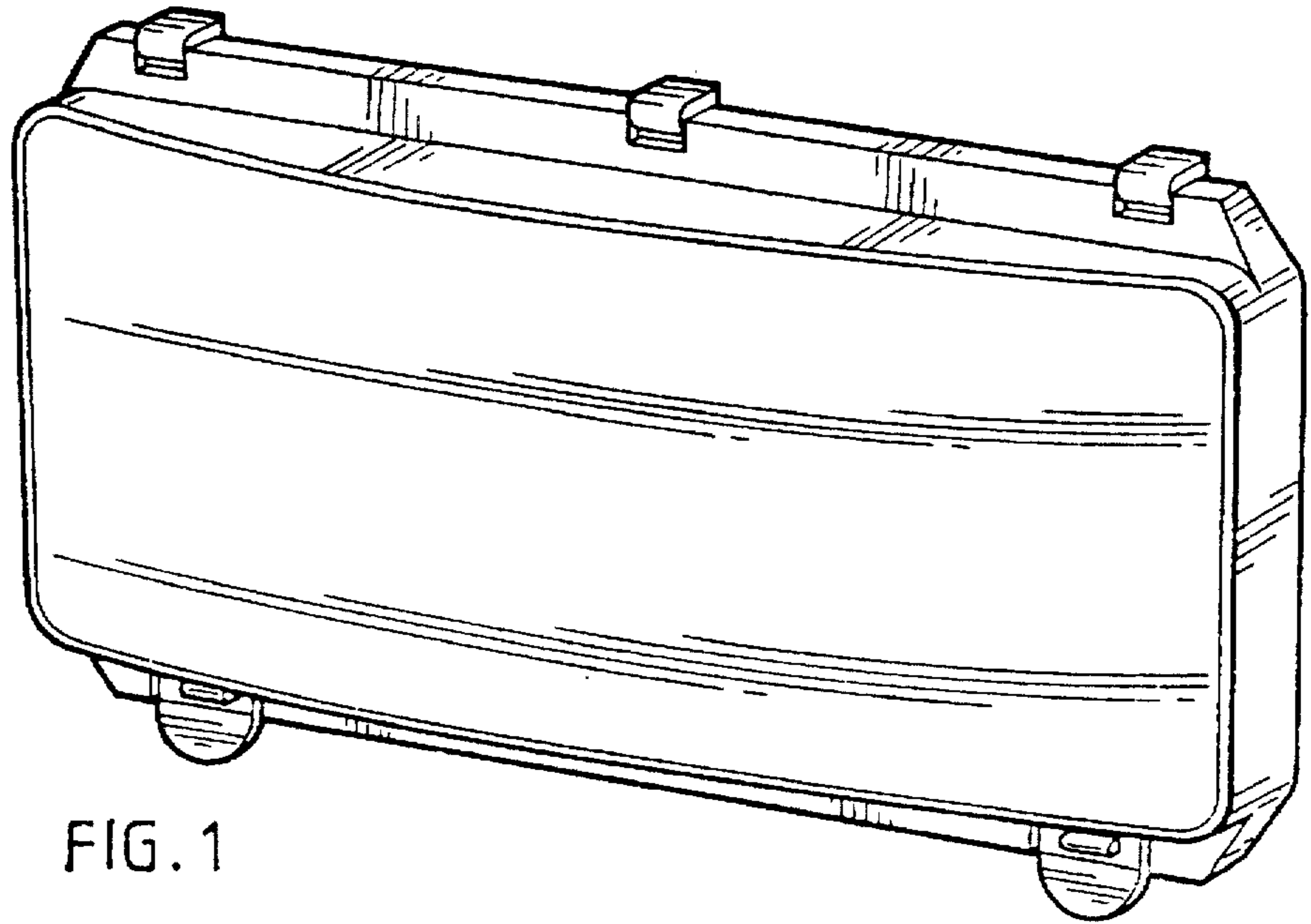


FIG. 1

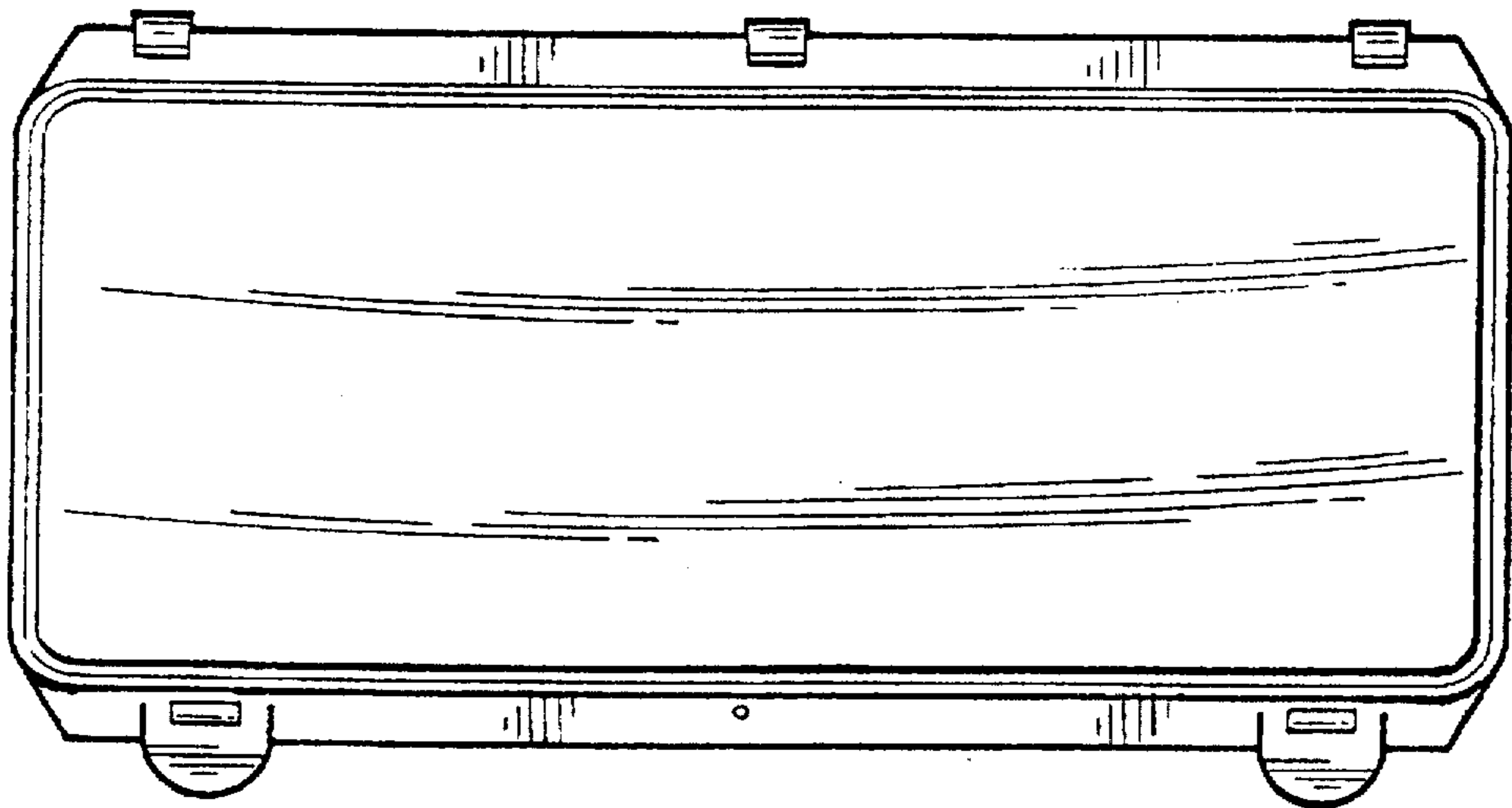


FIG. 2

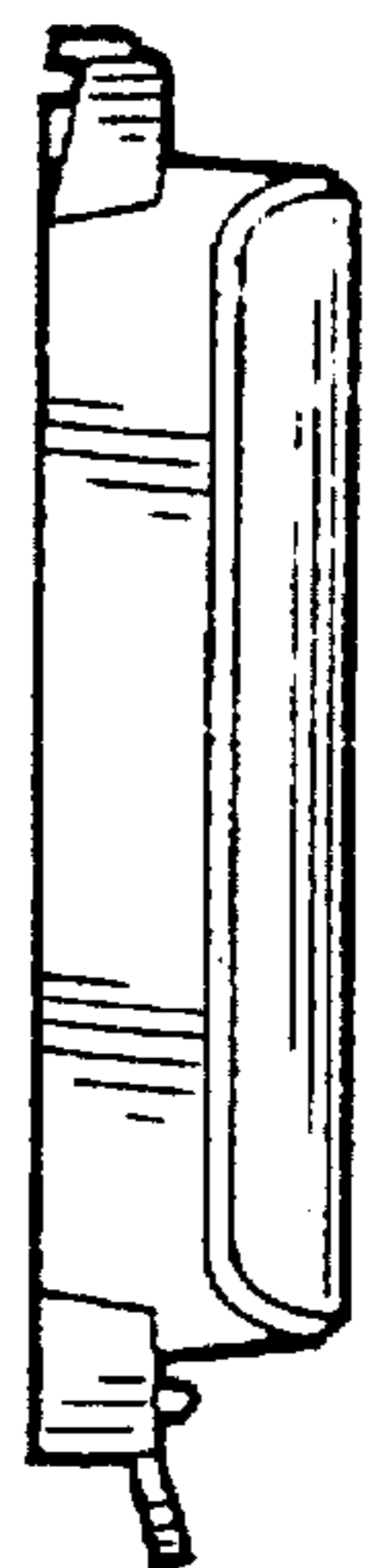


FIG. 3

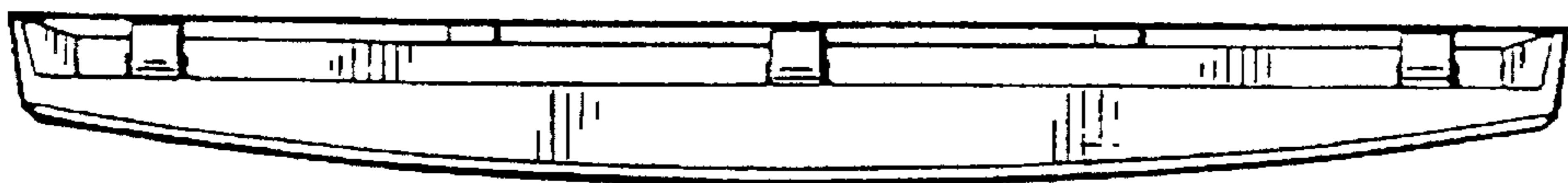


FIG. 4

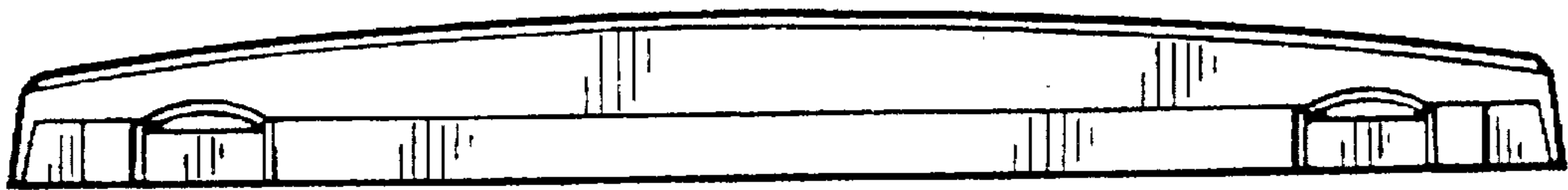


FIG. 5

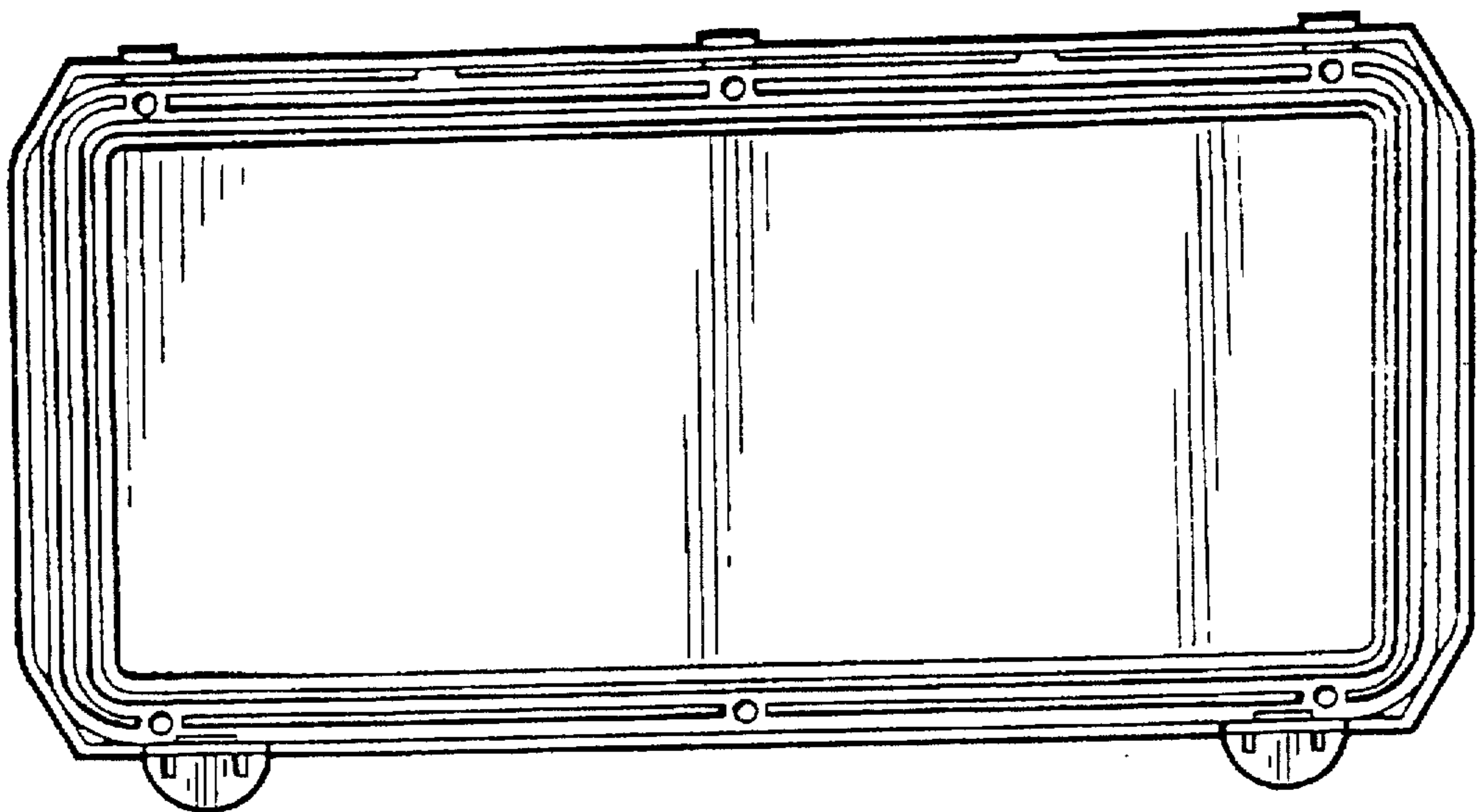


FIG. 6