



US00D383986S

United States Patent [19]

[11] Patent Number: **Des. 383,986**

Hysek

[45] Date of Patent: ****Sep. 23, 1997**

[54] **WRISTWATCH**

[75] Inventor: **Jorg Hysek, Monaco, Monaco**

[73] Assignee: **Red River S.r.l., Milan, Italy**

[**] Term: **14 Years**

[21] Appl. No.: **49,661**

[22] Filed: **Dec. 28, 1995**

[51] LOC (6) Cl. **10-02**

[52] U.S. Cl. **D10/32**

[58] Field of Search D10/1-40, 122-132;
368/276-277, 280-282, 285; D11/3-4,
12, 14, 19-25; 63/1.1, 3, 5.1, 11

[56] **References Cited**

U.S. PATENT DOCUMENTS

D. 309,438	7/1990	Saurer	D10/39
D. 356,956	4/1995	Hitter	D10/32
D. 365,772	1/1996	Wunderman	D10/32

FOREIGN PATENT DOCUMENTS

334411	1/1959	Switzerland	D10/39 X
027467	11/1992	WIPO	D10/32 X

OTHER PUBLICATIONS

European Jeweler—Apr. 1973 p. 89—watches at bottom right.
Swiss Watch & Jewellery Journal—Feb. 1988 p. 205—watches at right.

Primary Examiner—Nelson C. Holtje

Attorney, Agent, or Firm—Townsend and Townsend and Crew

[57] **CLAIM**

The ornamental design for a wristwatch, as shown and described.

DESCRIPTION

FIG. 1 is a perspective view of a wristwatch showing a first embodiment of my new design;

FIG. 2 is a plan view thereof;

FIG. 3 is a bottom end view thereof;

FIG. 4 is a left side view thereof;

FIG. 5 is a right side view thereof;

FIG. 6 is a front elevation thereof;

FIG. 7 is a rear elevation thereof;

FIG. 8 is a perspective view of a wristwatch showing a second embodiment of my new design;

FIG. 9 is a plan view thereof;

FIG. 10 is a bottom end view thereof;

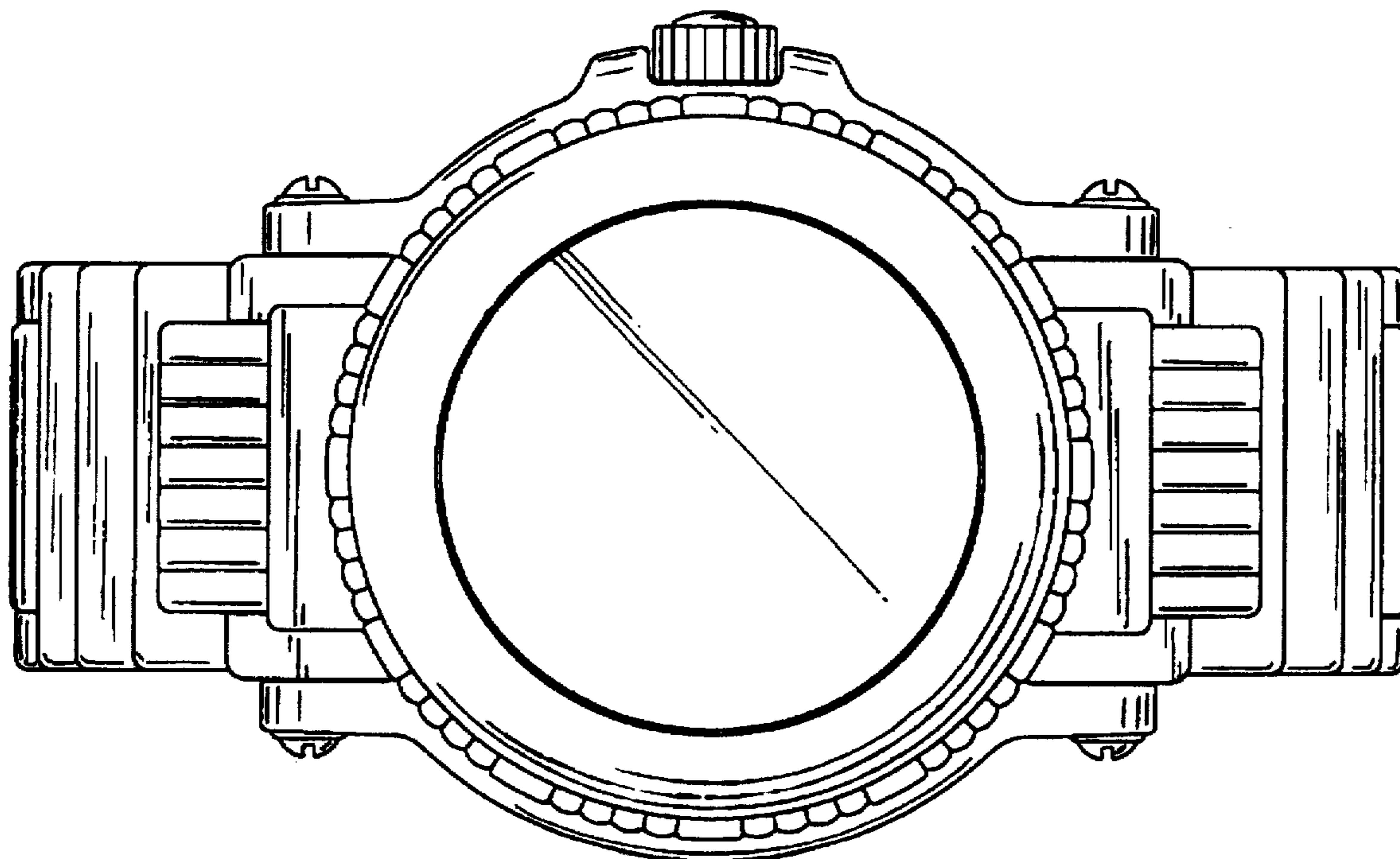
FIG. 11 is a left side view thereof;

FIG. 12 is a right side view thereof;

FIG. 13 is a front elevation thereof; and,

FIG. 14 is a rear elevation thereof.

1 Claim, 8 Drawing Sheets



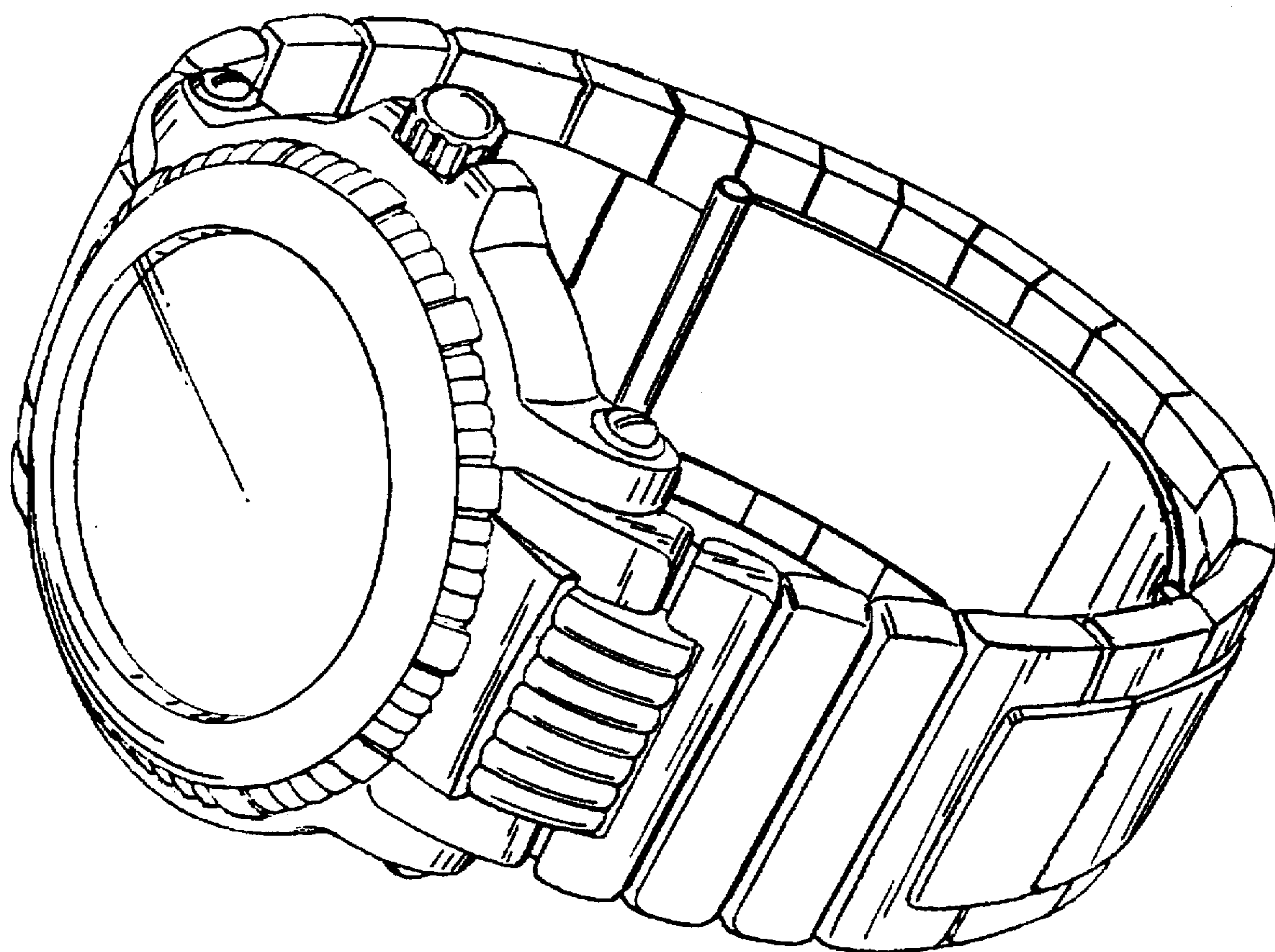


FIG. 1.

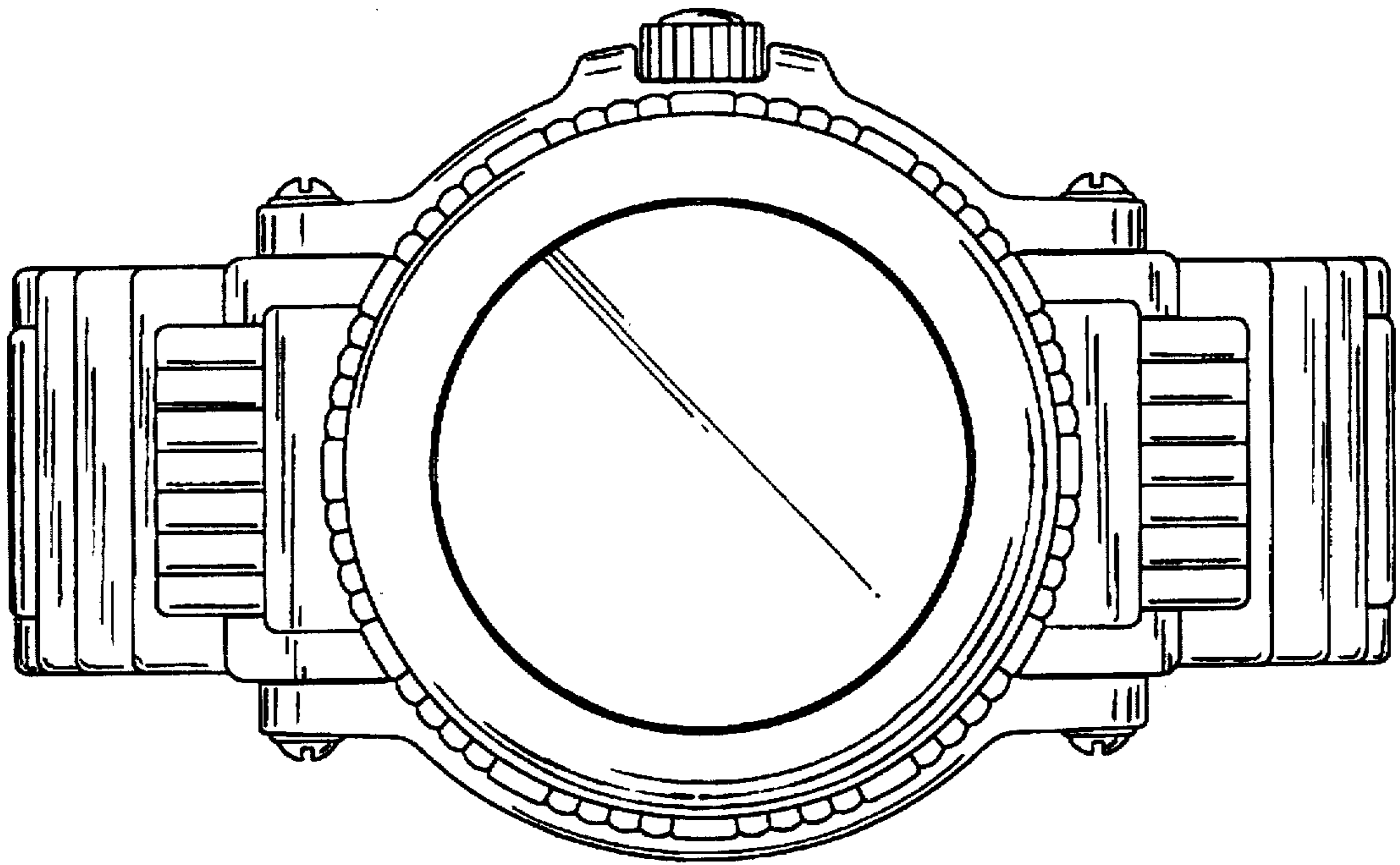


FIG. 2.

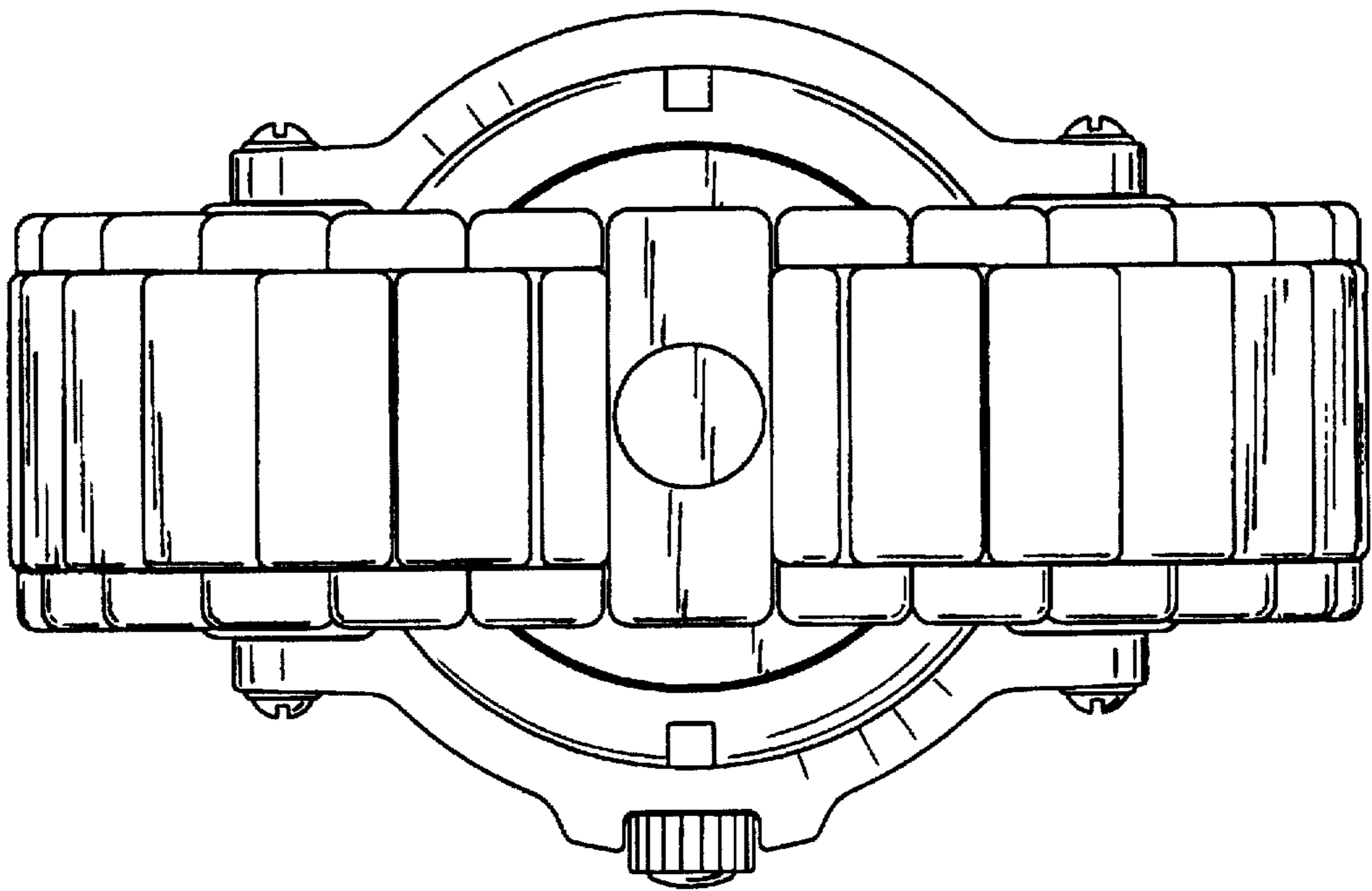


FIG. 3.

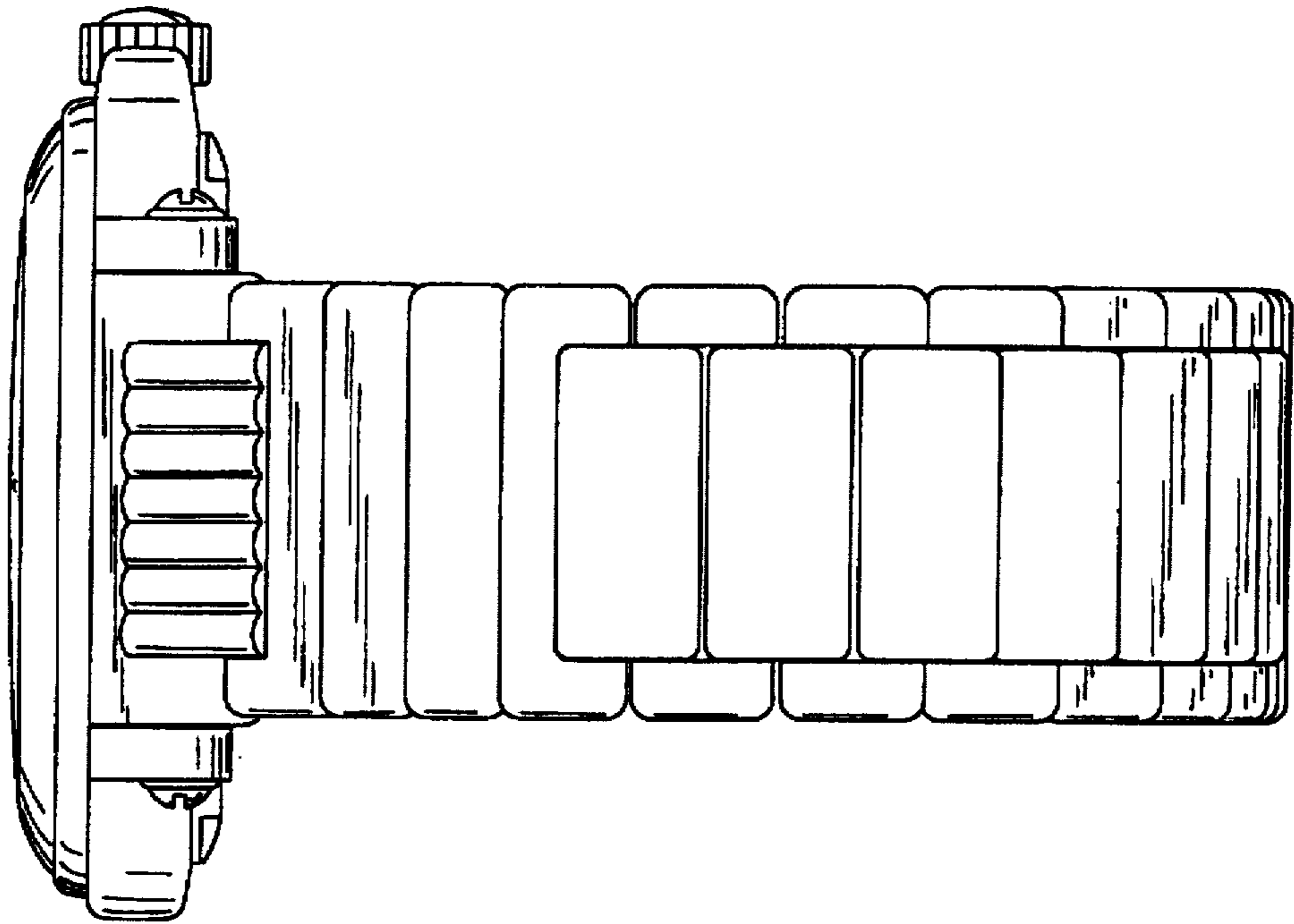


FIG. 4.

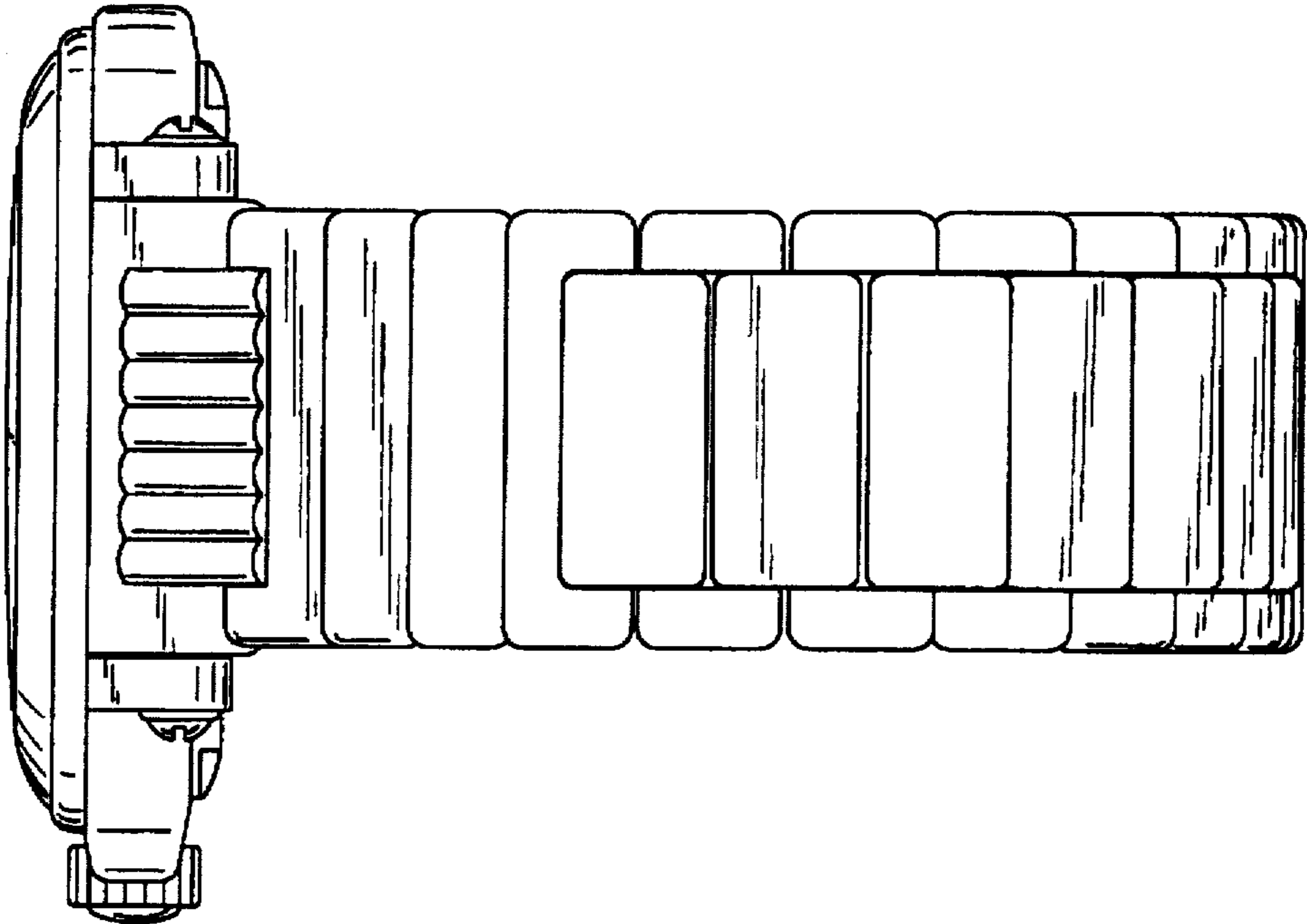


FIG. 5.

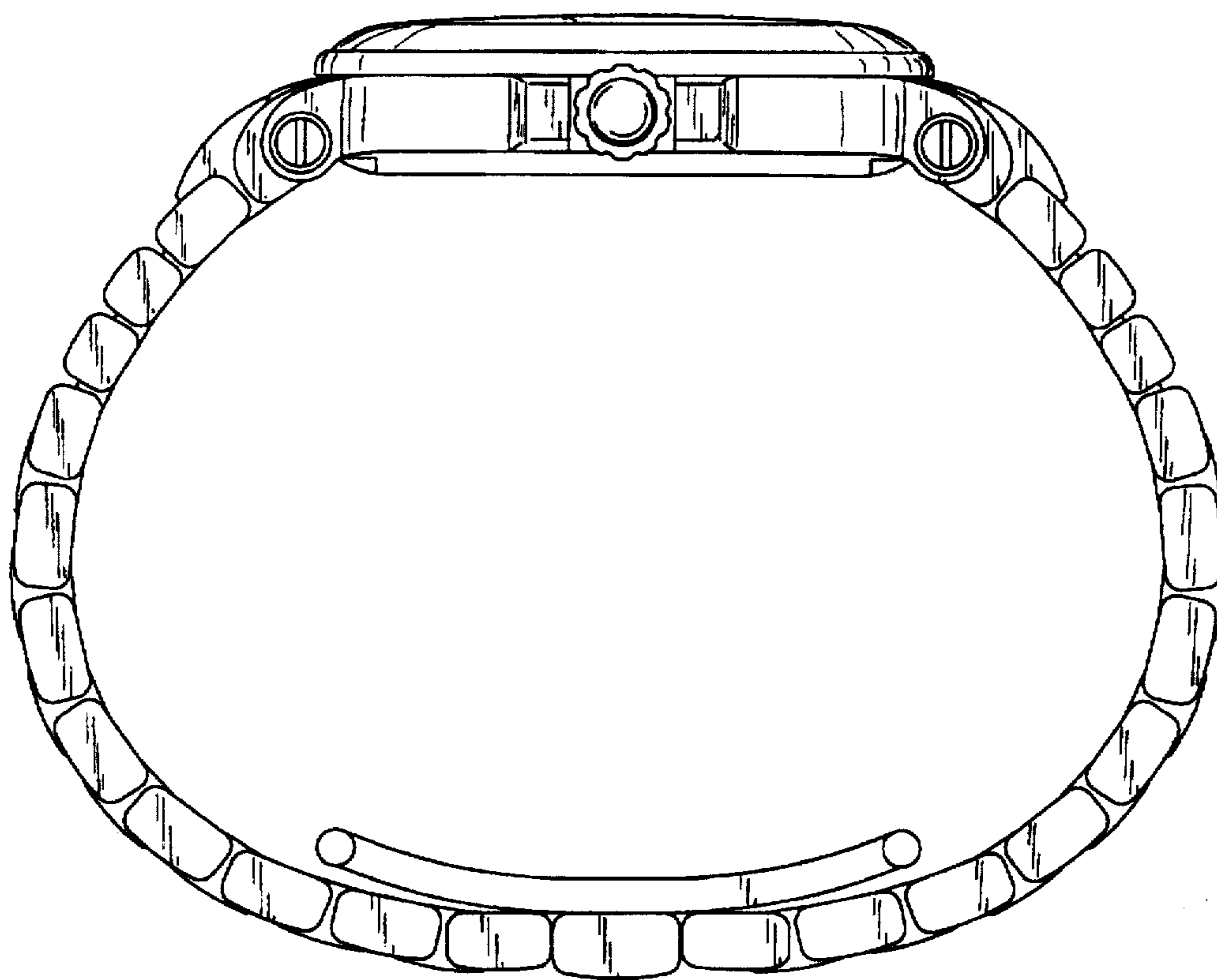


FIG. 6.

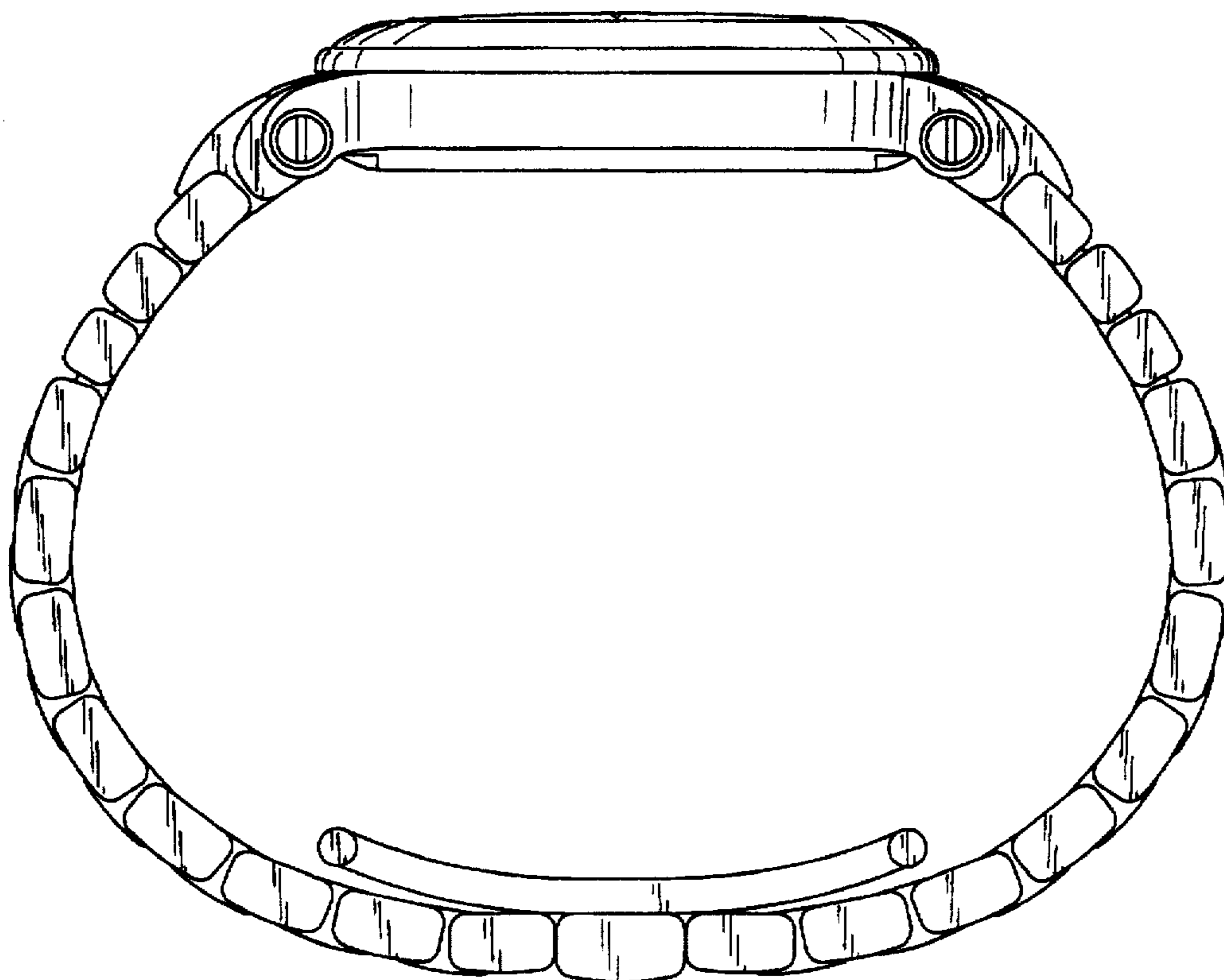


FIG. 7.

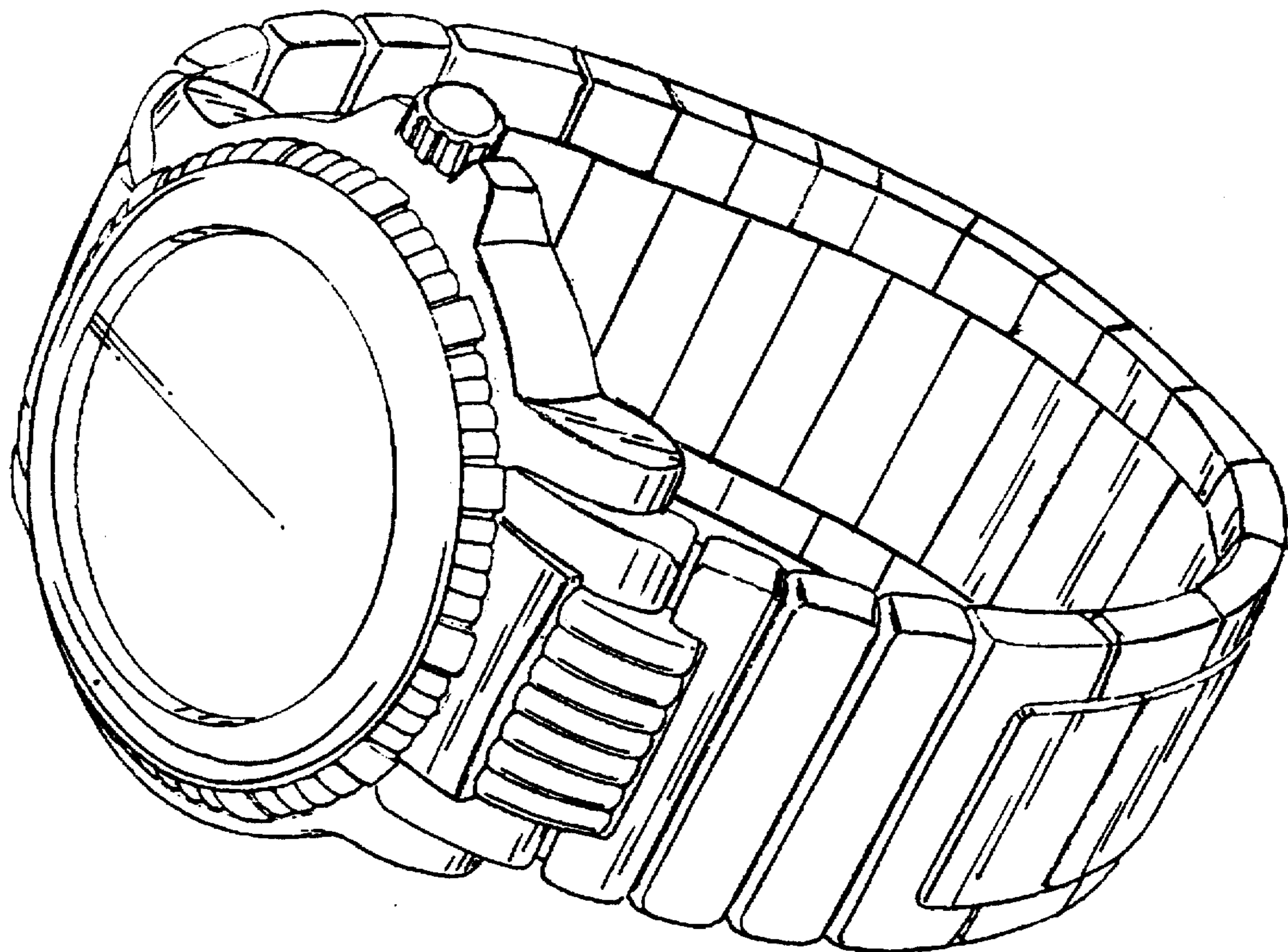


FIG. 8.

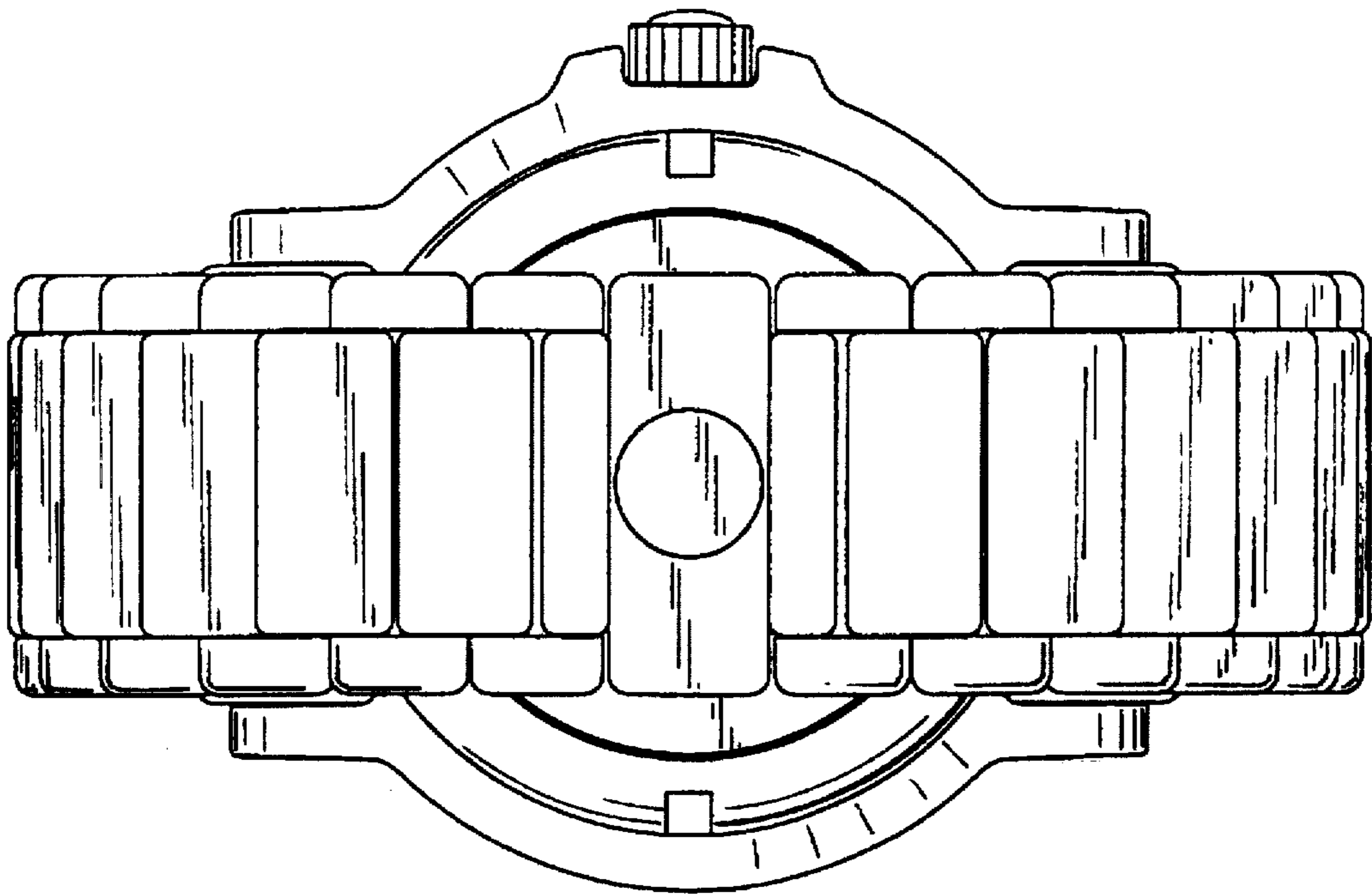


FIG. 9.

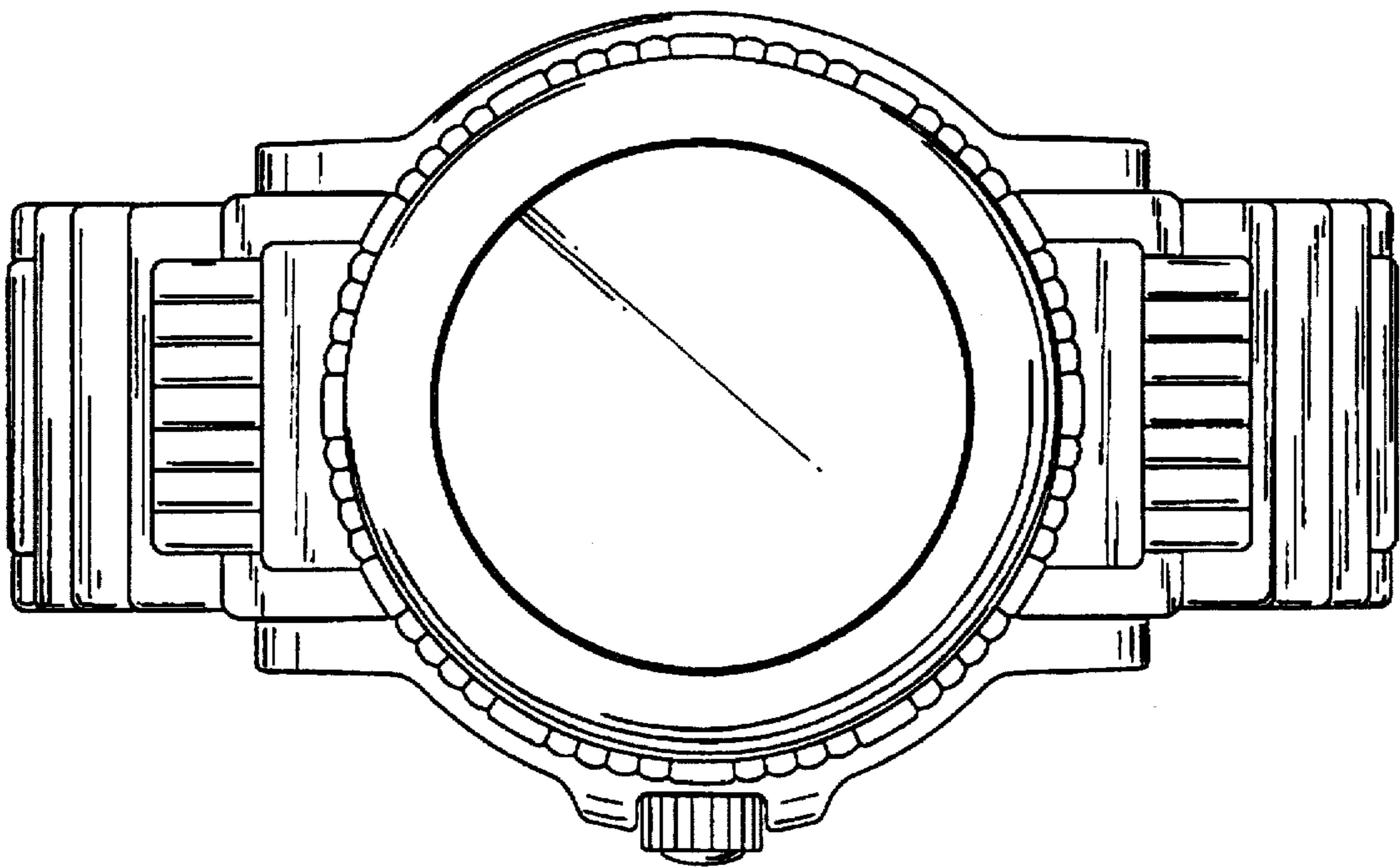


FIG. 10.

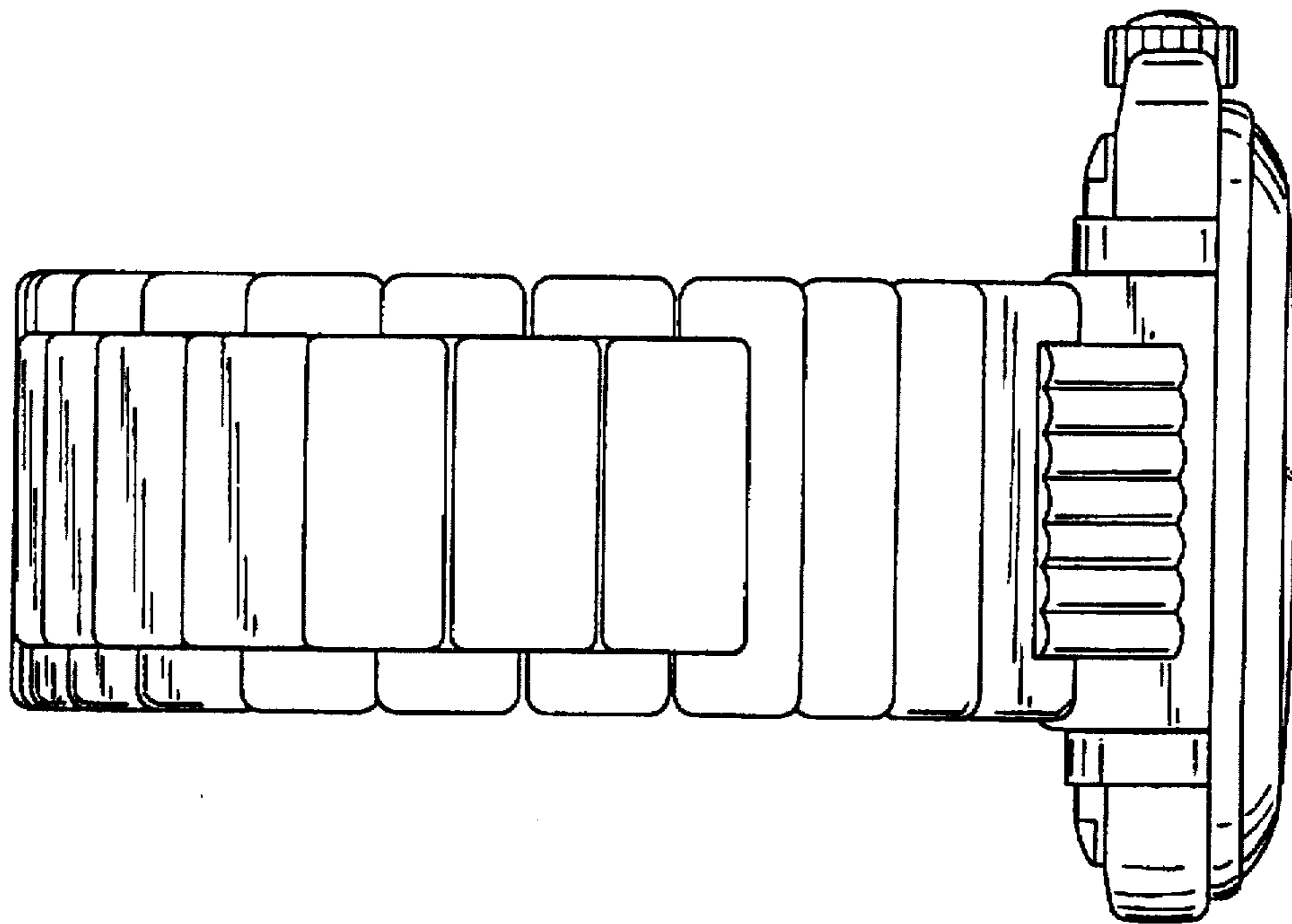


FIG. 11.

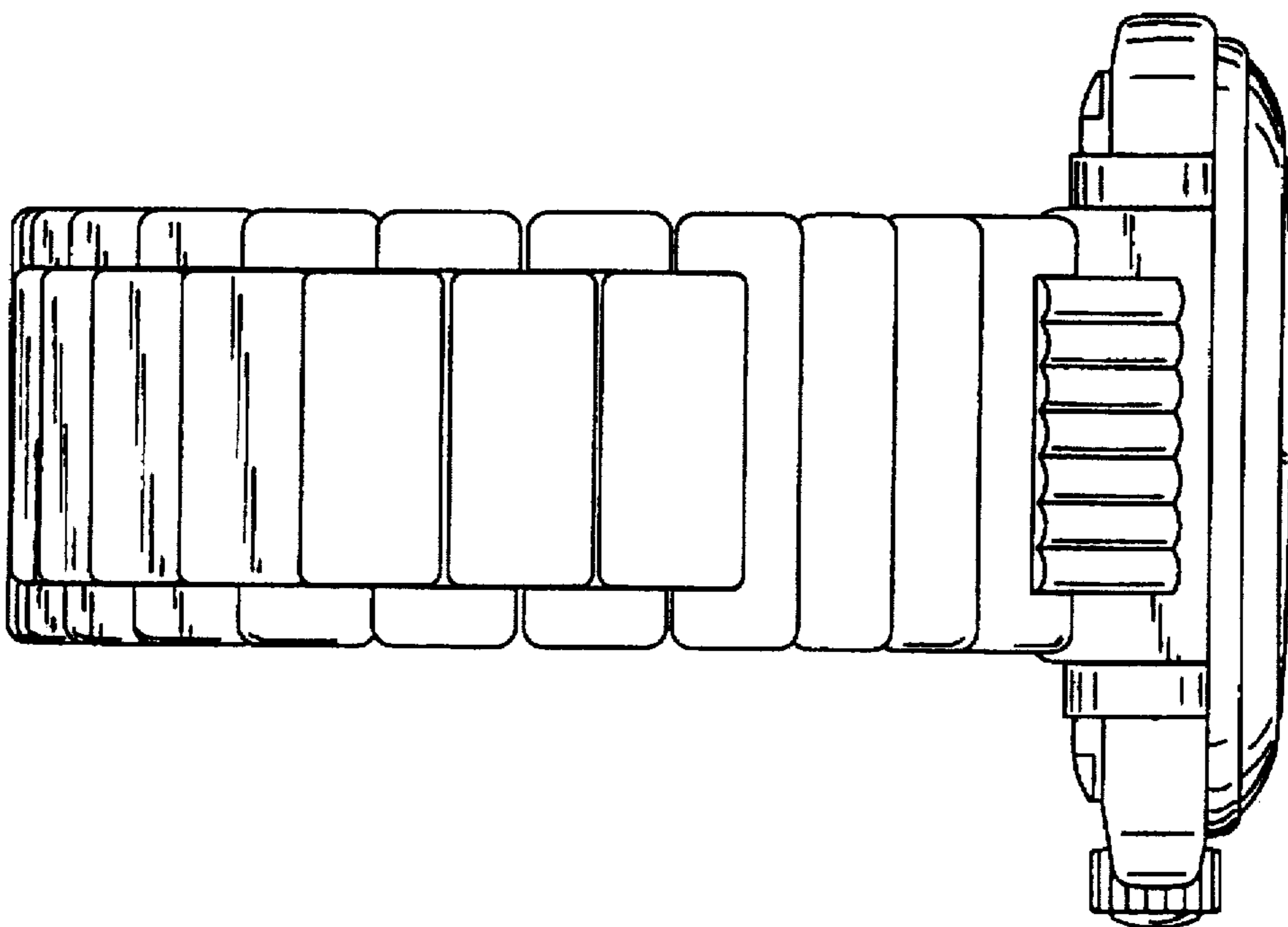


FIG. 12.

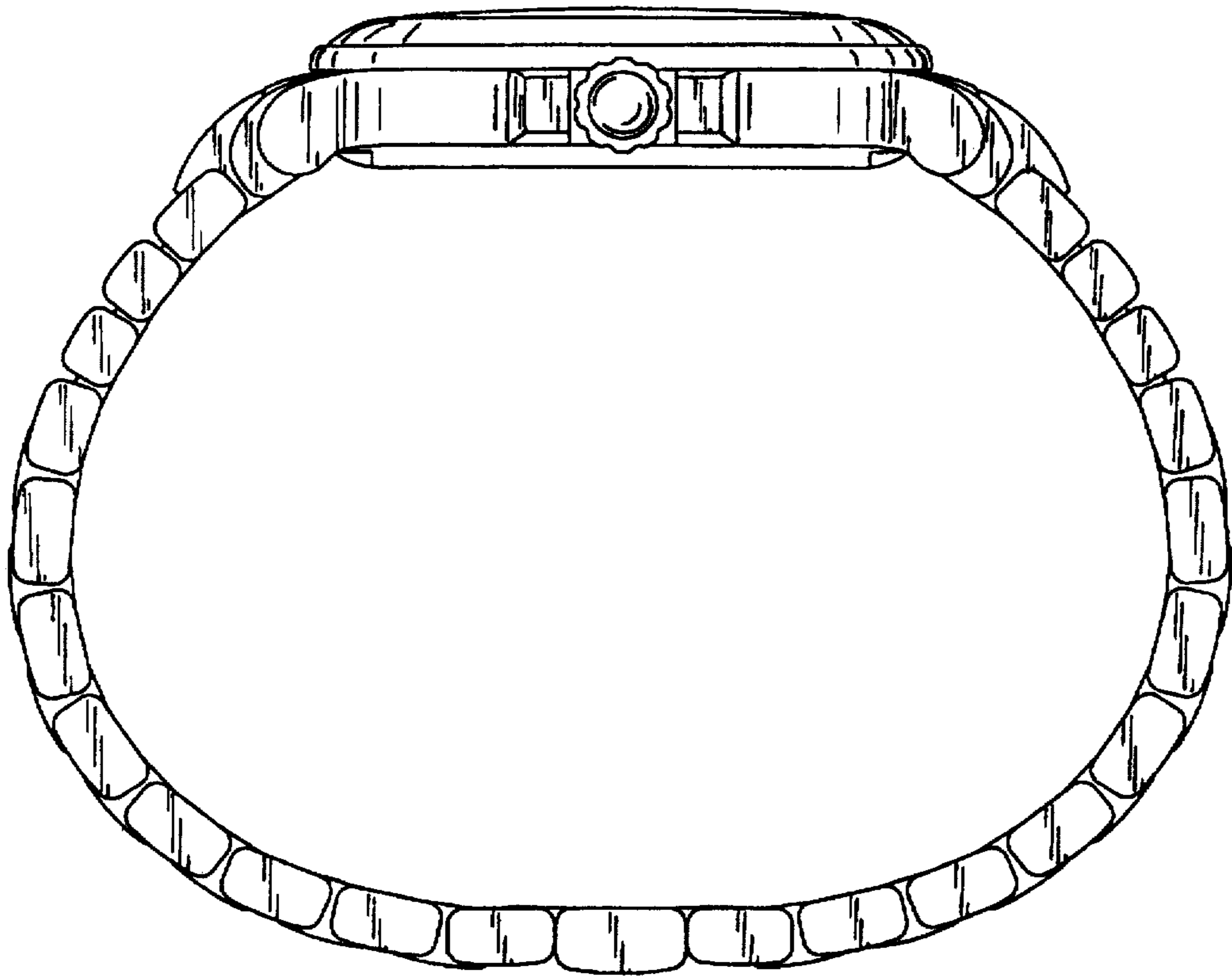


FIG. 13.

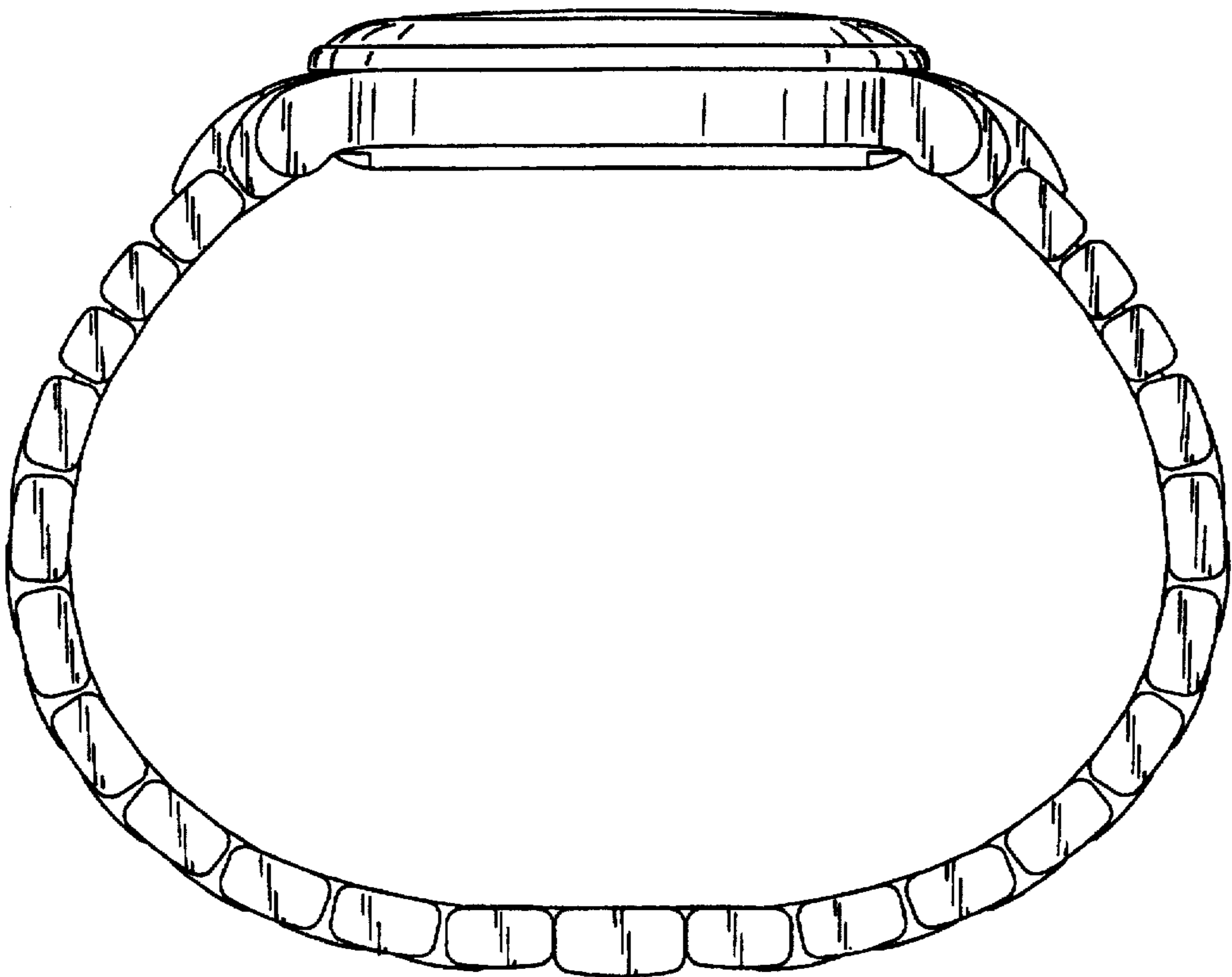


FIG. 14.