



US00D383976S

United States Patent [19]

Allinsmith et al.

[11] Patent Number: **Des. 383,976**

[45] Date of Patent: ****Sep. 23, 1997**

[54] CONTAINER

[75] Inventors: **Wendy Allinsmith; Ross A. Swigert; Michael S. Kerth**, all of Cincinnati, Ohio

[73] Assignee: **The Procter & Gamble Company**, Cincinnati, Ohio

[**] Term: **14 Years**

[21] Appl. No.: **48,869**

[22] Filed: **Jan. 11, 1996**

[51] LOC (6) Cl. **09-07**

[52] U.S. Cl. **D9/430; D9/431**

[58] Field of Search **D9/346, 430, 431, D9/433; D21/108; 229/111, 112, 115, 116.1**

[56] **References Cited**

U.S. PATENT DOCUMENTS

- D. 194,514 2/1963 Rau D9/433 X
- D. 202,920 11/1965 Muesing D52/2
- D. 235,314 6/1975 Cramphorn D9/431

- D. 236,807 9/1975 Schmit D9/5
- D. 303,500 9/1989 Colla D9/414
- 3,021,045 2/1962 Morris D9/433 X
- 3,084,843 4/1963 Urban 229/16
- 3,366,312 1/1968 Lowenberg et al. 229/62
- 4,420,080 12/1983 Nakamura 206/449

Primary Examiner—Pabhakar G. Deshmukh
Assistant Examiner—Nanda Bondade
Attorney, Agent, or Firm—Michael J. D'Amelio

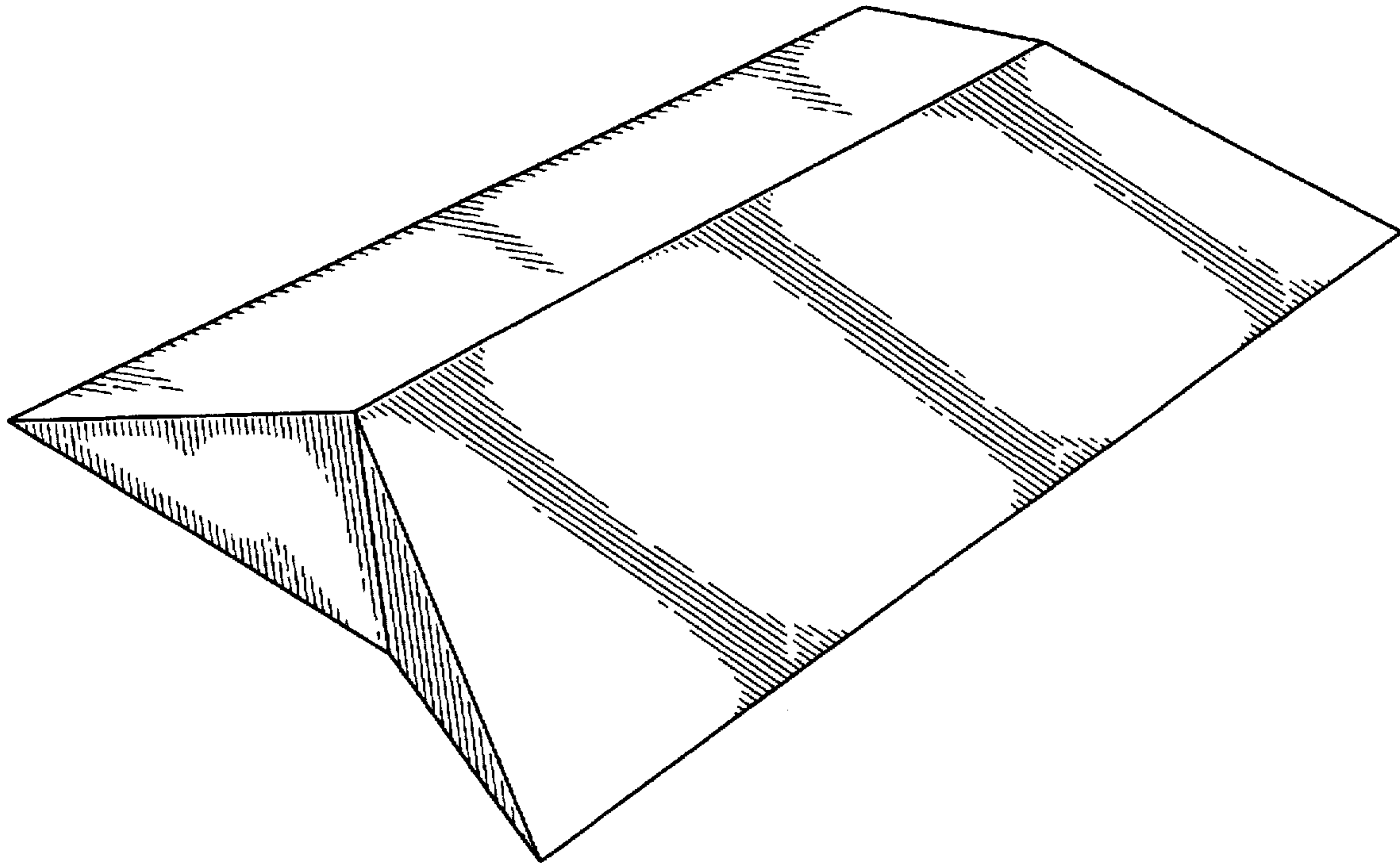
[57] **CLAIM**

The ornamental design for a container, as shown and described.

DESCRIPTION

FIG. 1 is a perspective view of a container embodying our new design;
FIG. 2 is a top view, the bottom view being a mirror image thereof;
FIG. 3 is a front view, the back view being a mirror image thereof; and,
FIG. 4 is a side view, the opposite side view being a mirror image thereof.

1 Claim, 2 Drawing Sheets



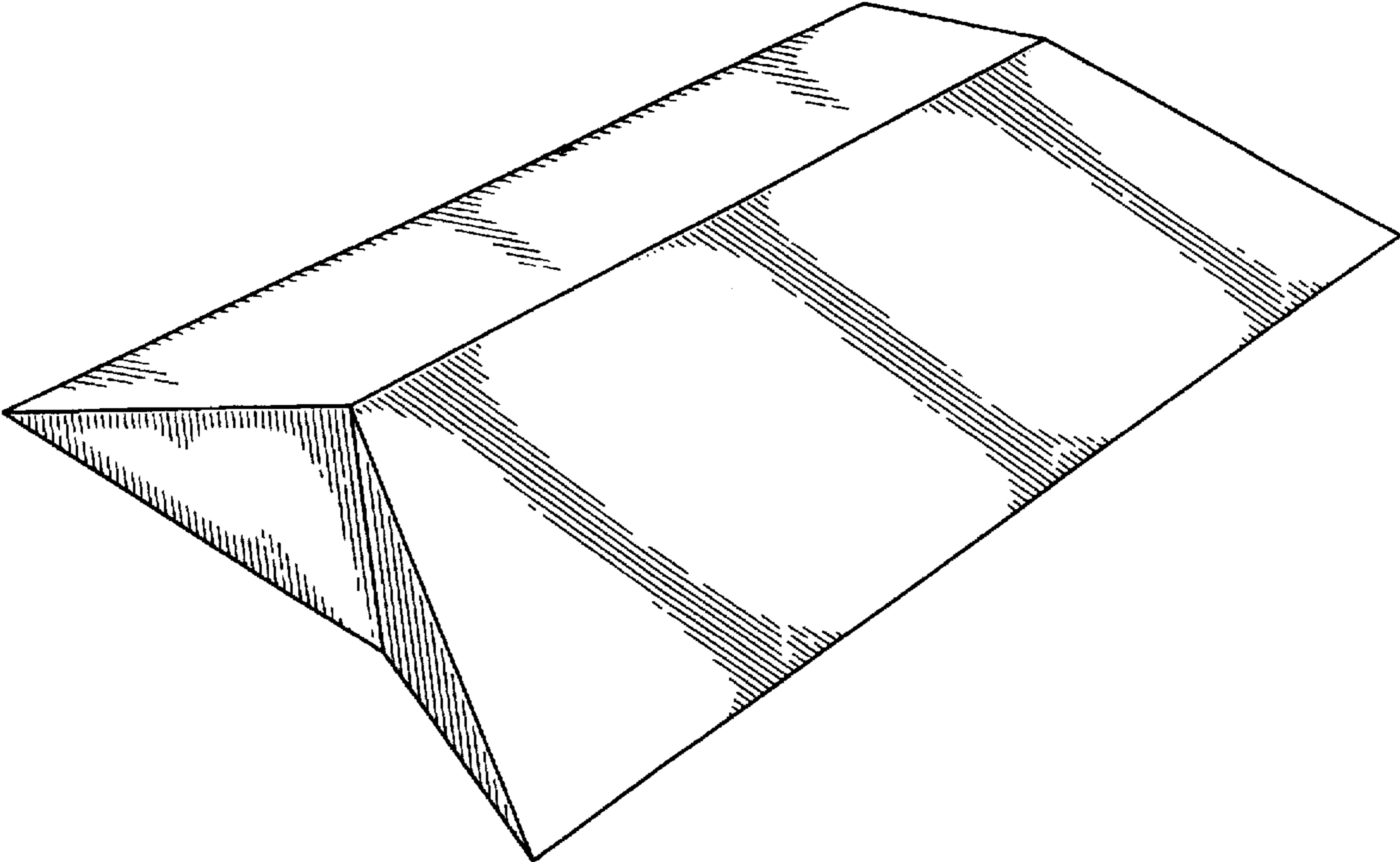


Fig. 1

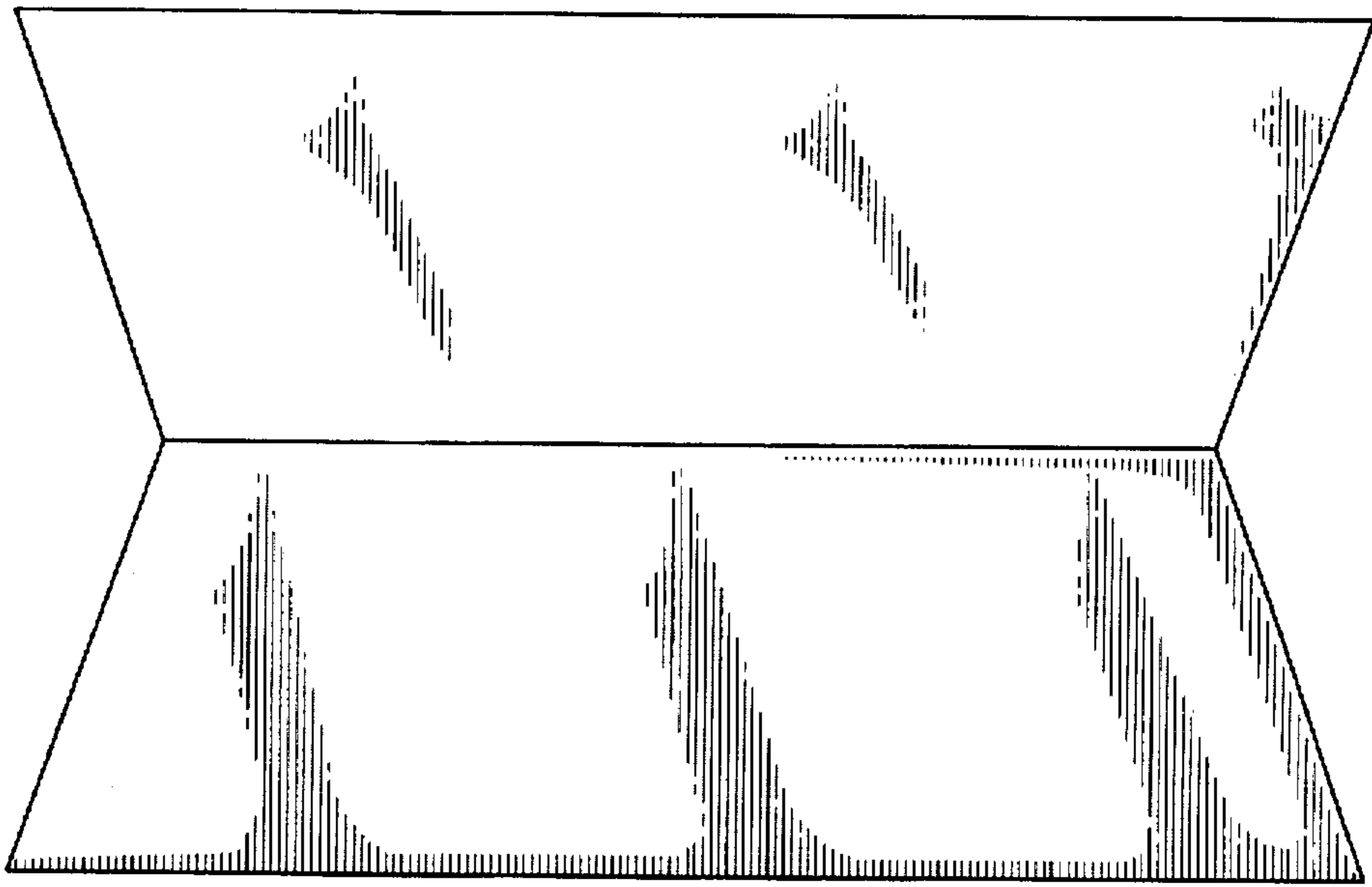


Fig. 2

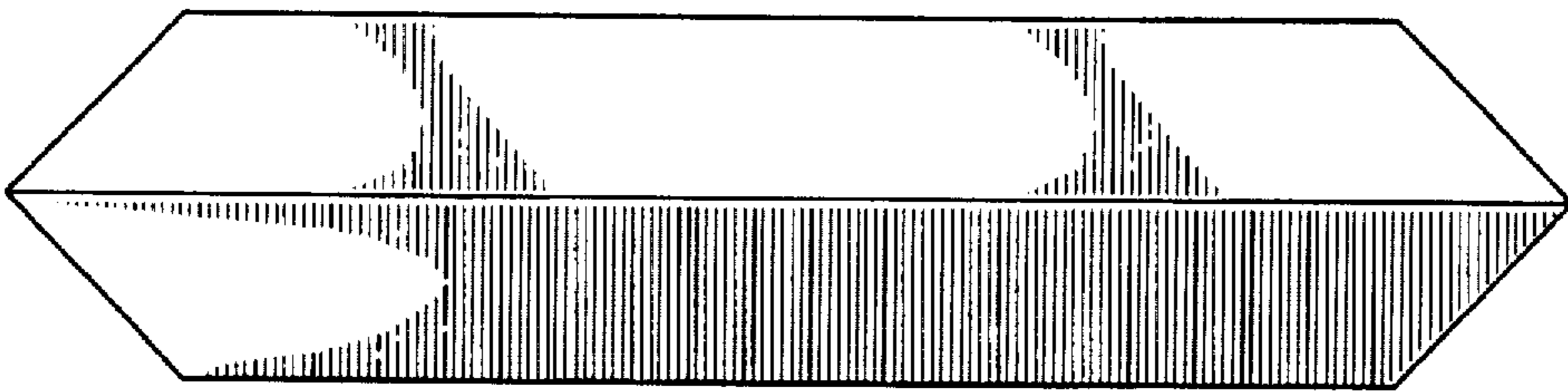


Fig. 3

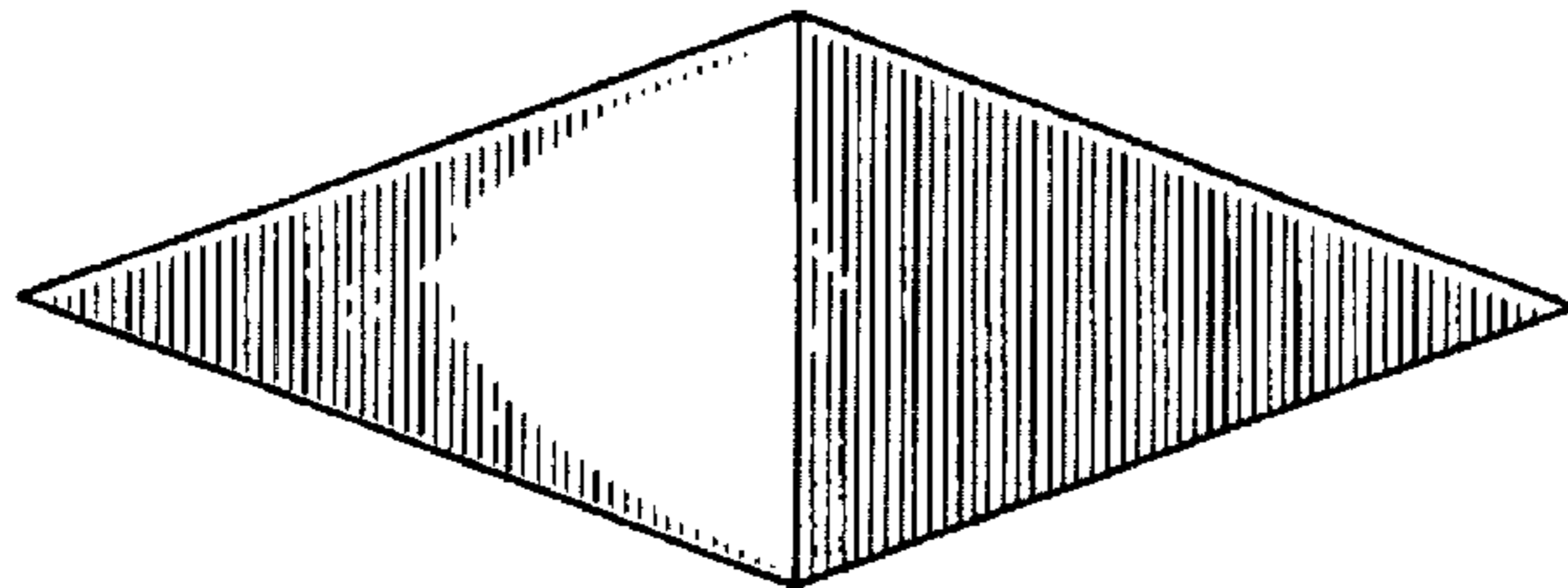


Fig. 4