



US00D383971S

**United States Patent** [19]  
**Garfinkle**

[11] **Patent Number: Des. 383,971**  
[45] **Date of Patent: \*\*Sep. 23, 1997**

[54] **BIN ADAPTER**  
[76] **Inventor: Benjamin L. Garfinkle, 1120 Portal Ave., Piedmont, Calif. 94610**  
[\*\*] **Term: 14 Years**  
[21] **Appl. No.: 50,867**  
[22] **Filed: Feb. 28, 1996**  
[51] **LOC (6) Cl. .... 08-08**  
[52] **U.S. Cl. .... D8/395**  
[58] **Field of Search .... D8/395, 371, 396; D9/430, 434; 24/545, 546, 561, 563, 336, 338, 339; 297/463.1, 248; 248/74.2, 74.1, 58, 101, 214, 205.3, 316.7; 403/230**

3,203,066 8/1965 Lu Poli ..... 24/545  
3,429,601 2/1969 Bremers ..... 403/230  
3,880,106 4/1975 Farmer ..... D8/396 X  
4,634,429 1/1987 Schoettley ..... 24/563 X  
5,293,713 3/1994 Ahmed ..... 24/561 X  
5,351,371 10/1994 Deveau, Jr. et al. .... 24/561

*Primary Examiner—Paula A. Mortimer*  
*Attorney, Agent, or Firm—Malcolm B. Wittenberg*

[57] **CLAIM**

The ornamental design for a bin adapter, as shown and described.

**DESCRIPTION**

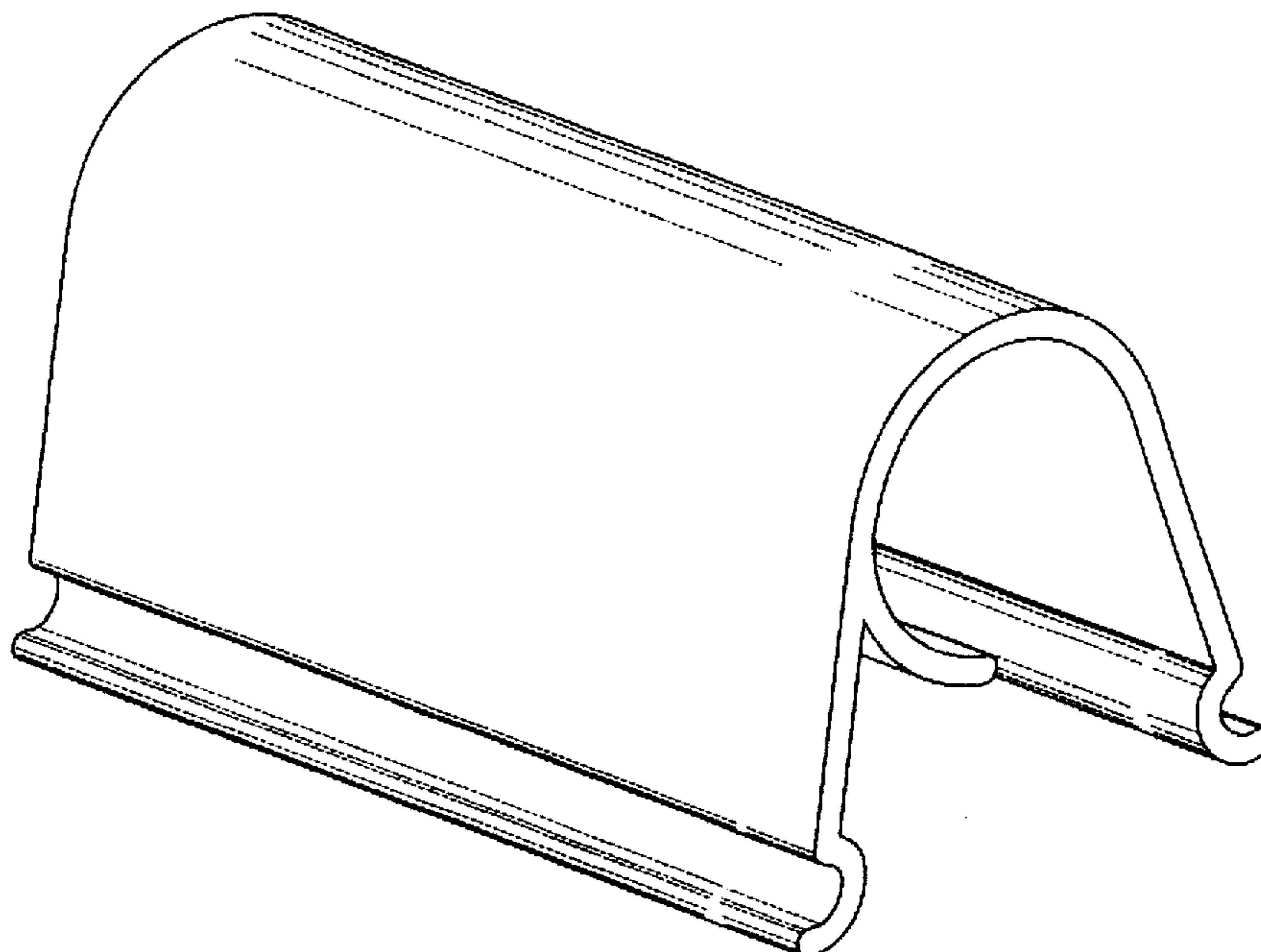
FIG. 1 is an end elevational view of a bin adapter showing my new design the opposite end is a mirror image;  
FIG. 2 is a front elevational view thereof;  
FIG. 3 is a rear elevational view thereof;  
FIG. 4 is a front perspective view thereof;  
FIG. 5 is a bottom plan view thereof; and,  
FIG. 6 is a top plan view thereof.

[56] **References Cited**

**U.S. PATENT DOCUMENTS**

D. 322,389 12/1991 Harmon ..... D8/396 X  
2,530,608 11/1950 Fraser ..... 24/561 X  
3,074,677 1/1963 Eckhardt ..... 248/74.1

**1 Claim, 2 Drawing Sheets**



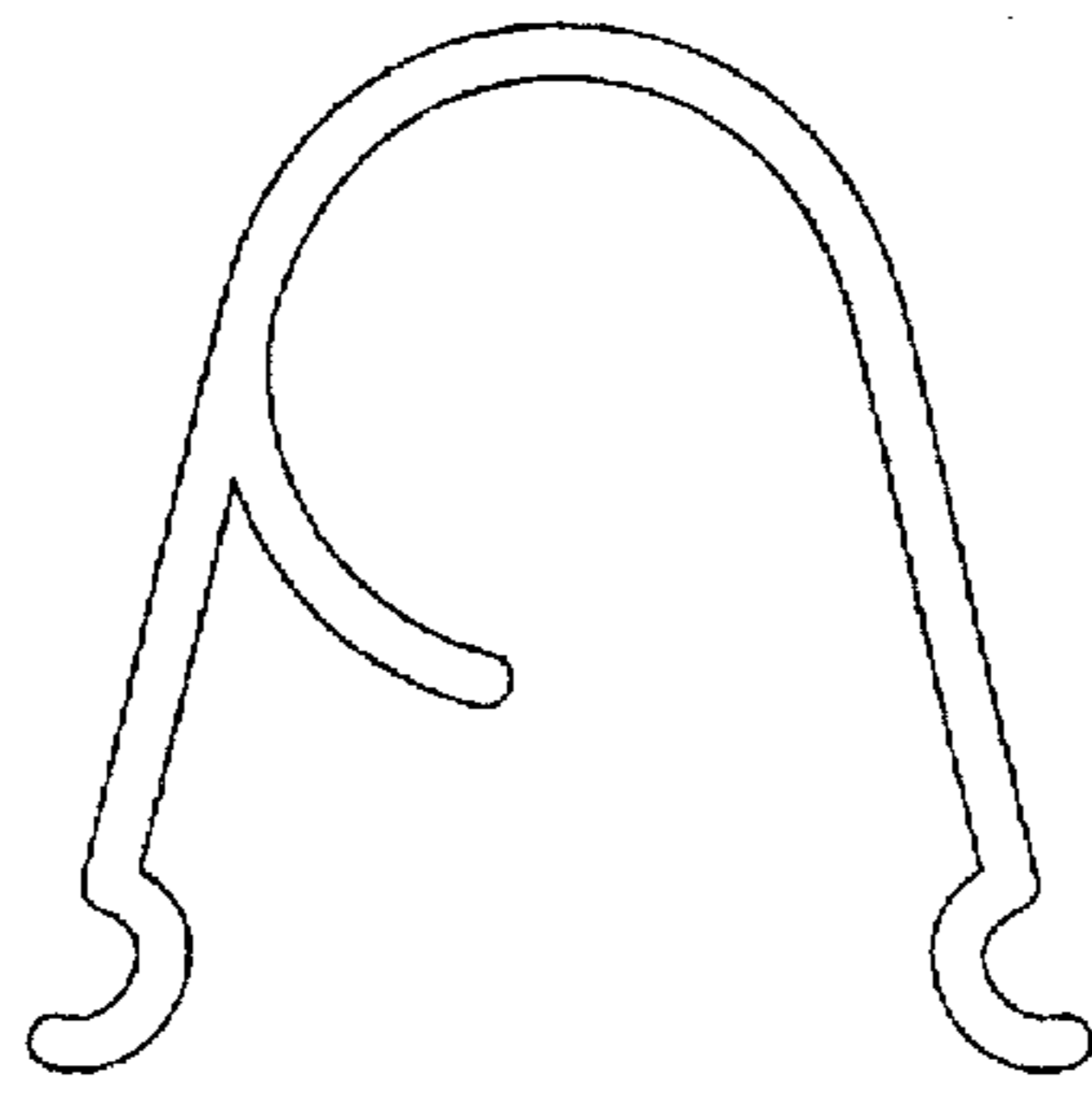


FIG. 1

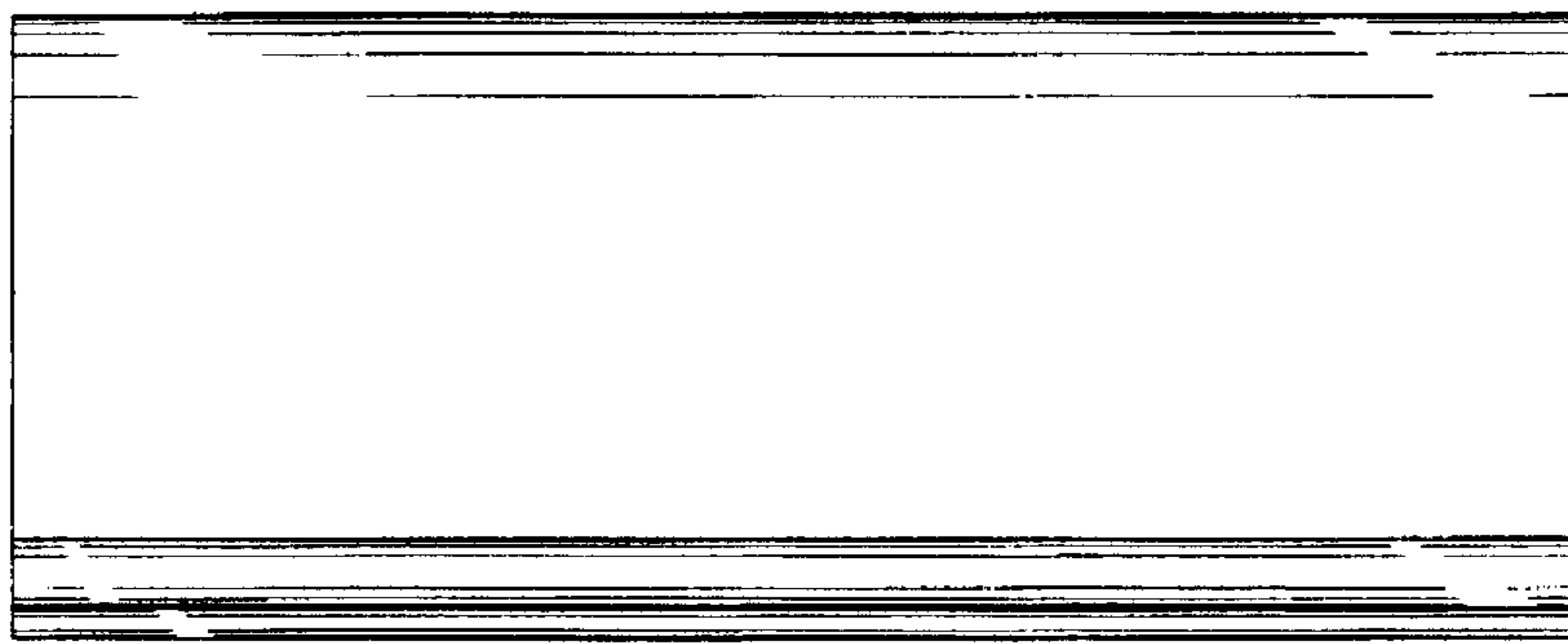


FIG. 2

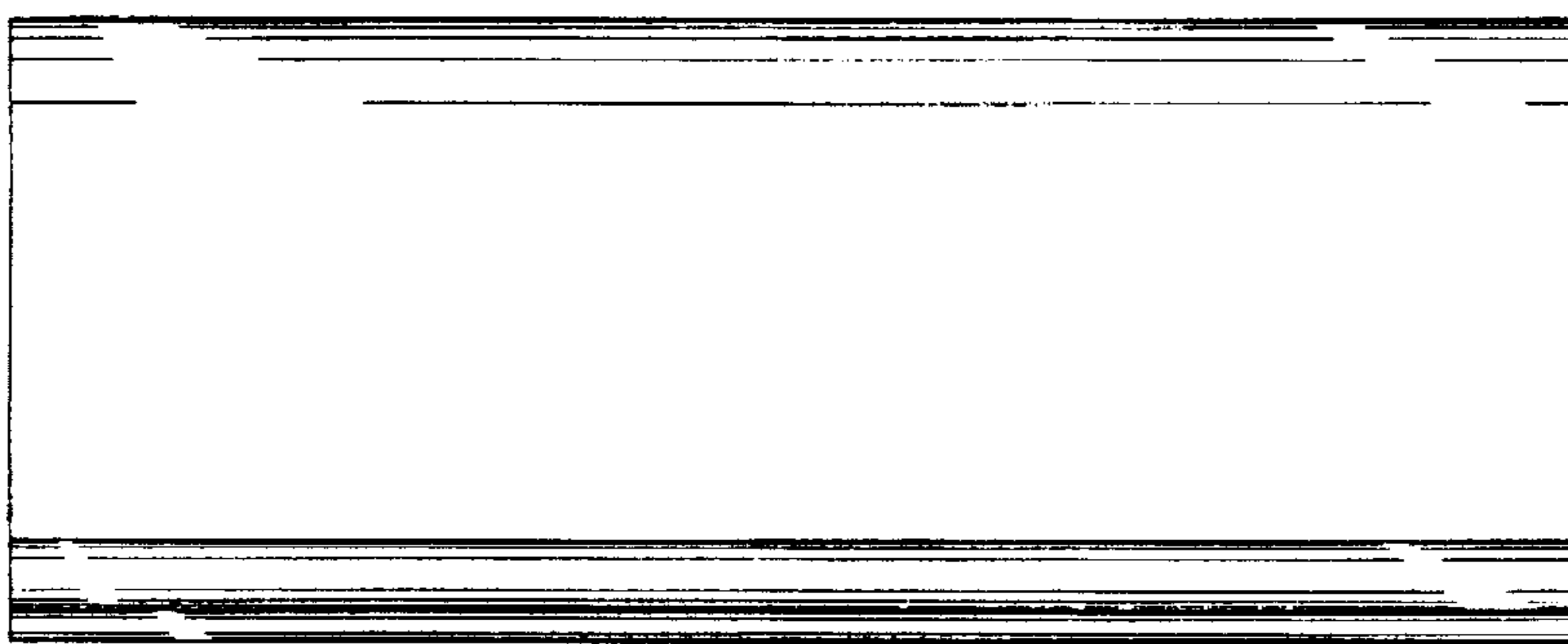


FIG. 3

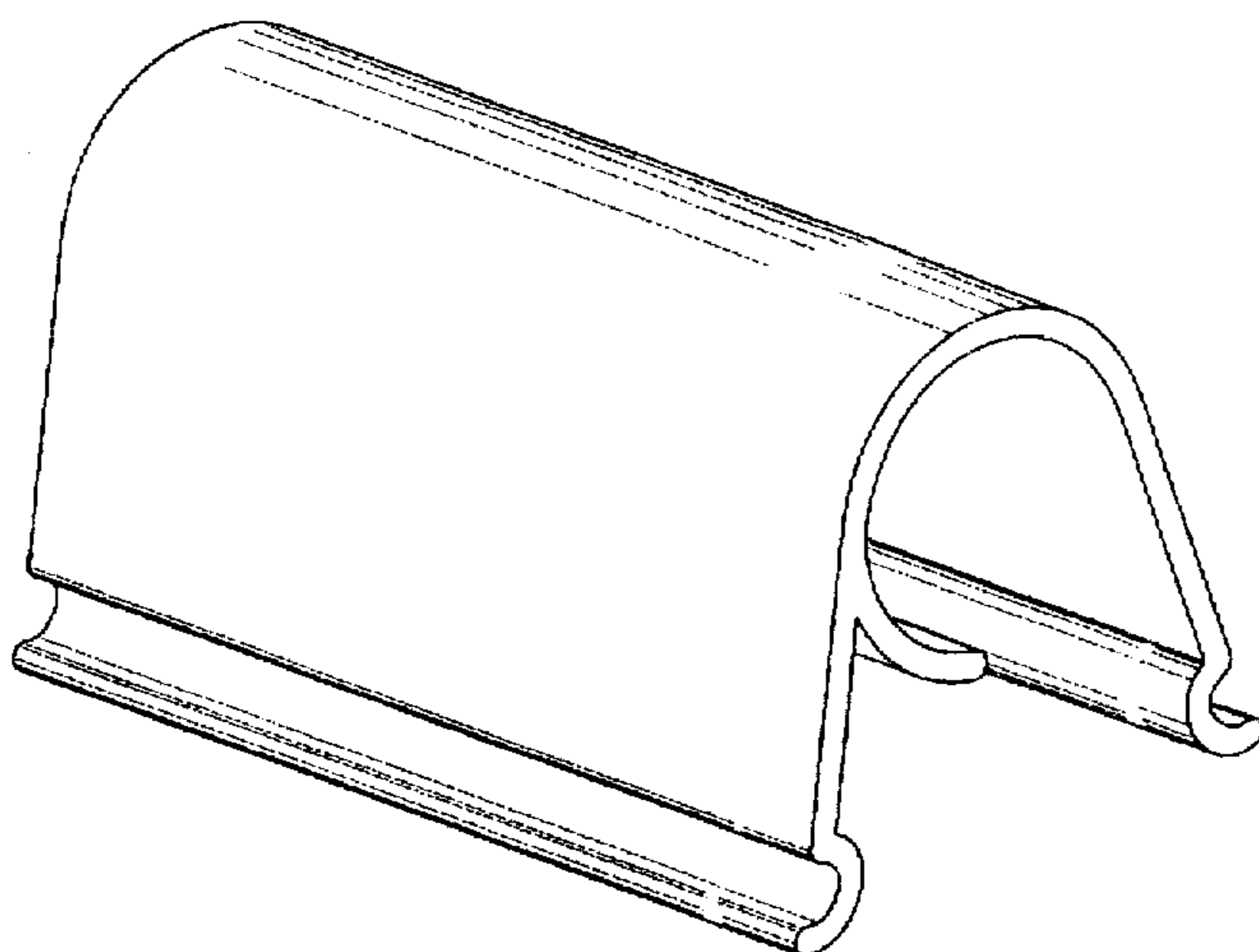


FIG. 4

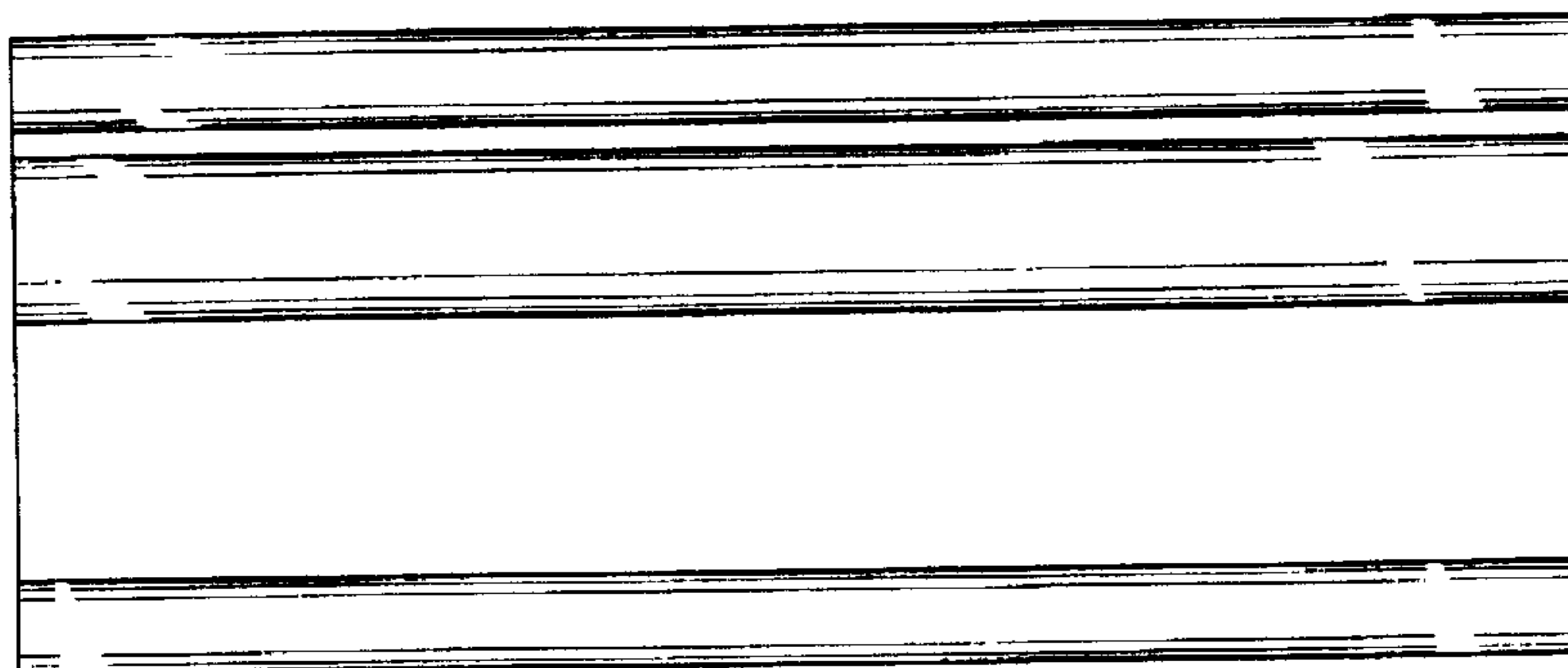


FIG. 5

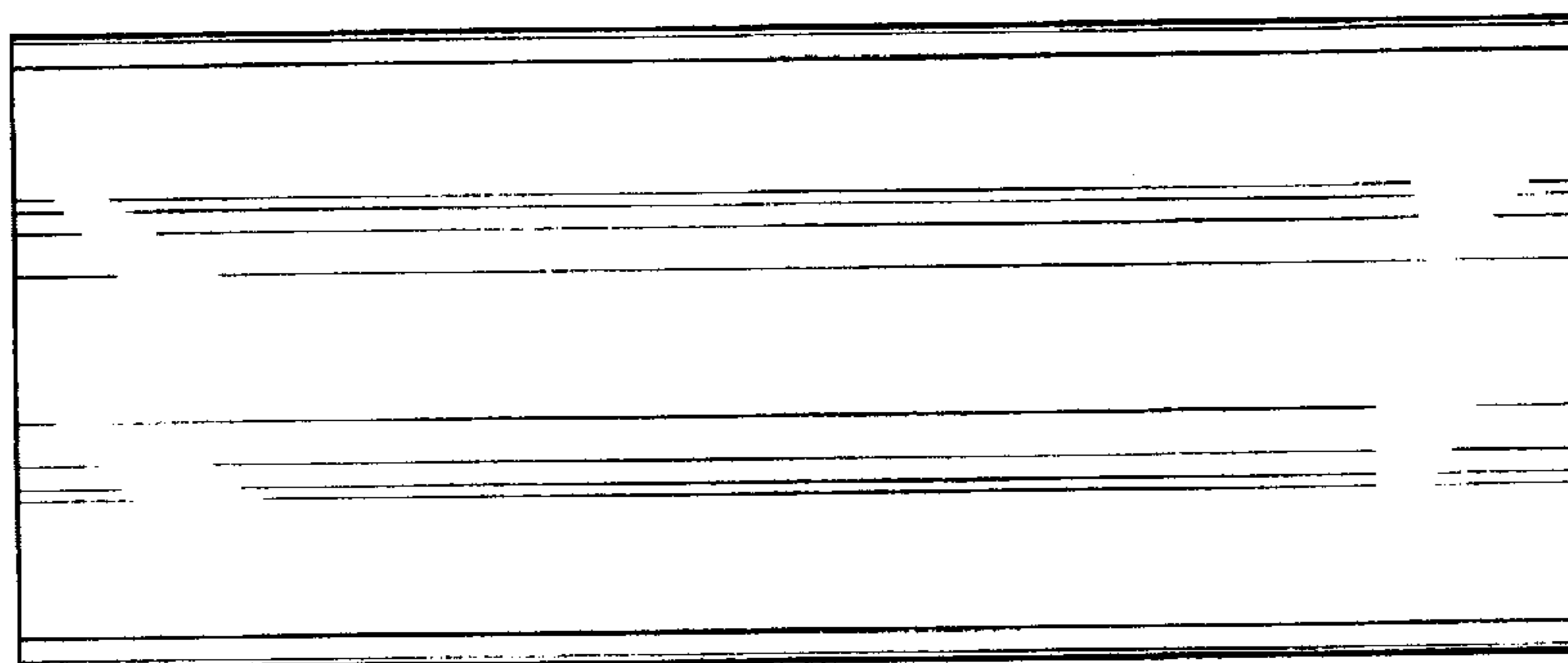


FIG. 6