



US00D383965S

United States Patent [19]
Ichihara

[11] **Patent Number: Des. 383,965**
[45] **Date of Patent: **Sep. 23, 1997**

[54] **SQUARE SHAPED FLANGE UNIT**

D. 357,175 4/1995 Godfrey D8/382
2,686,642 8/1954 Dobarganes et al. 248/314 X

[76] **Inventor: Takashi Ichihara**, 16, Hondacho 2
chome, Midori-ku, Chiba-shi, Chiba,
Japan

Primary Examiner—Paula A. Mortimer
Attorney, Agent, or Firm—Lowe, Price, LeBlanc & Becker

[**] **Term: 14 Years**

[57] **CLAIM**

[21] **Appl. No.: 36,705**

A new original design for a square shaped flange unit, as shown and described.

[22] **Filed: Mar. 24, 1995**

DESCRIPTION

[51] **LOC (6) Cl. 11-05**

FIG. 1 is a front perspective view of a square shaped flange unit showing my new design;

[52] **U.S. Cl. D8/353**

FIG. 2 is a front elevational view;

[58] **Field of Search D8/353, 382, 384;**

FIG. 3 is a rear elevational view;

248/251, 309.1, 310, 314, 523; 24/463;
40/373, 406; 403/384, 285.2, 173

FIG. 4 is a top plan view;

FIG. 5 is a bottom plan view;

[56] **References Cited**

FIG. 6 is a left side elevational view thereof; and,

FIG. 7 is a right side elevational view thereof.

U.S. PATENT DOCUMENTS

D. 198,746 7/1964 Cox D8/380
D. 198,747 7/1964 Cox D8/380

1 Claim, 2 Drawing Sheets

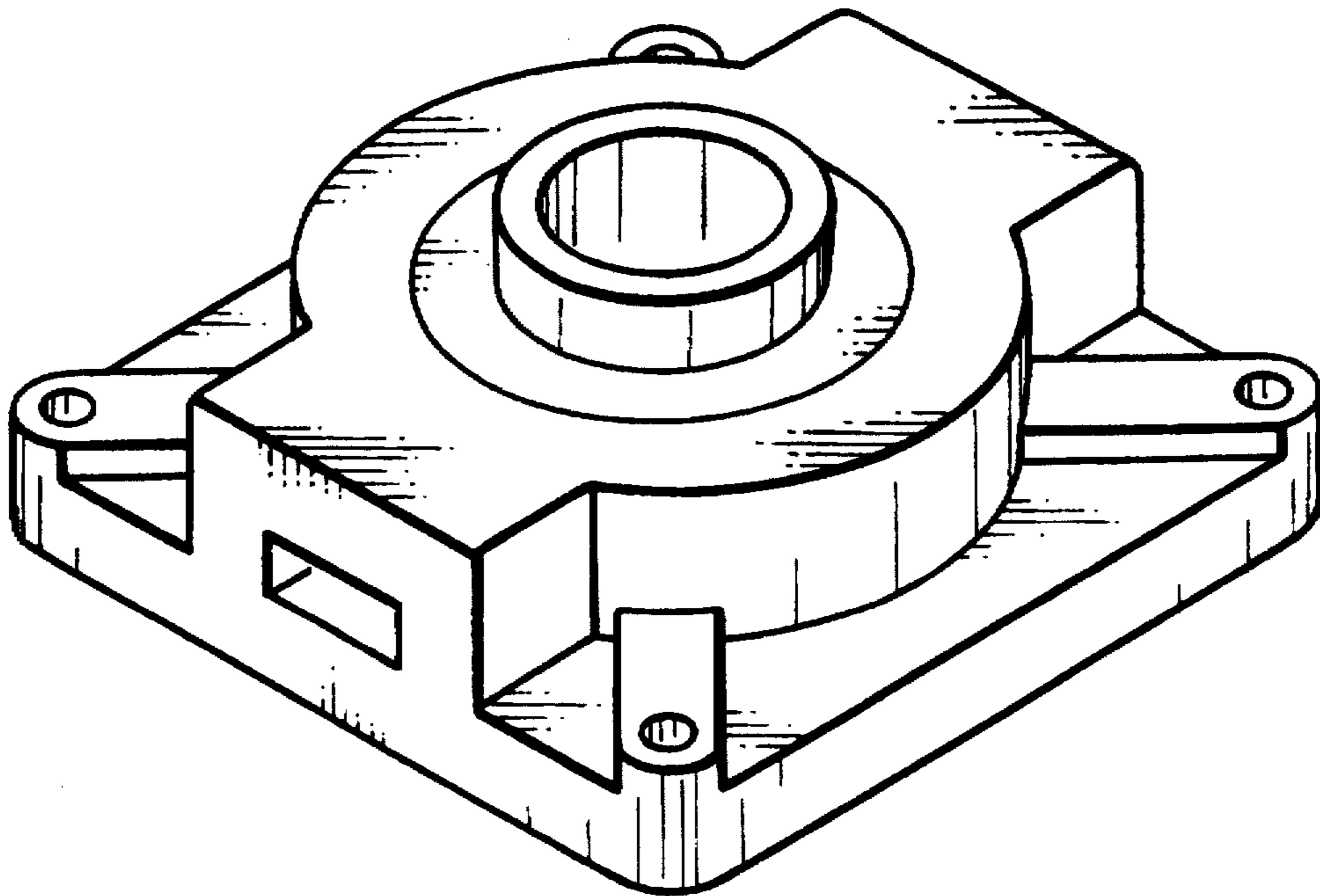


FIG. 1

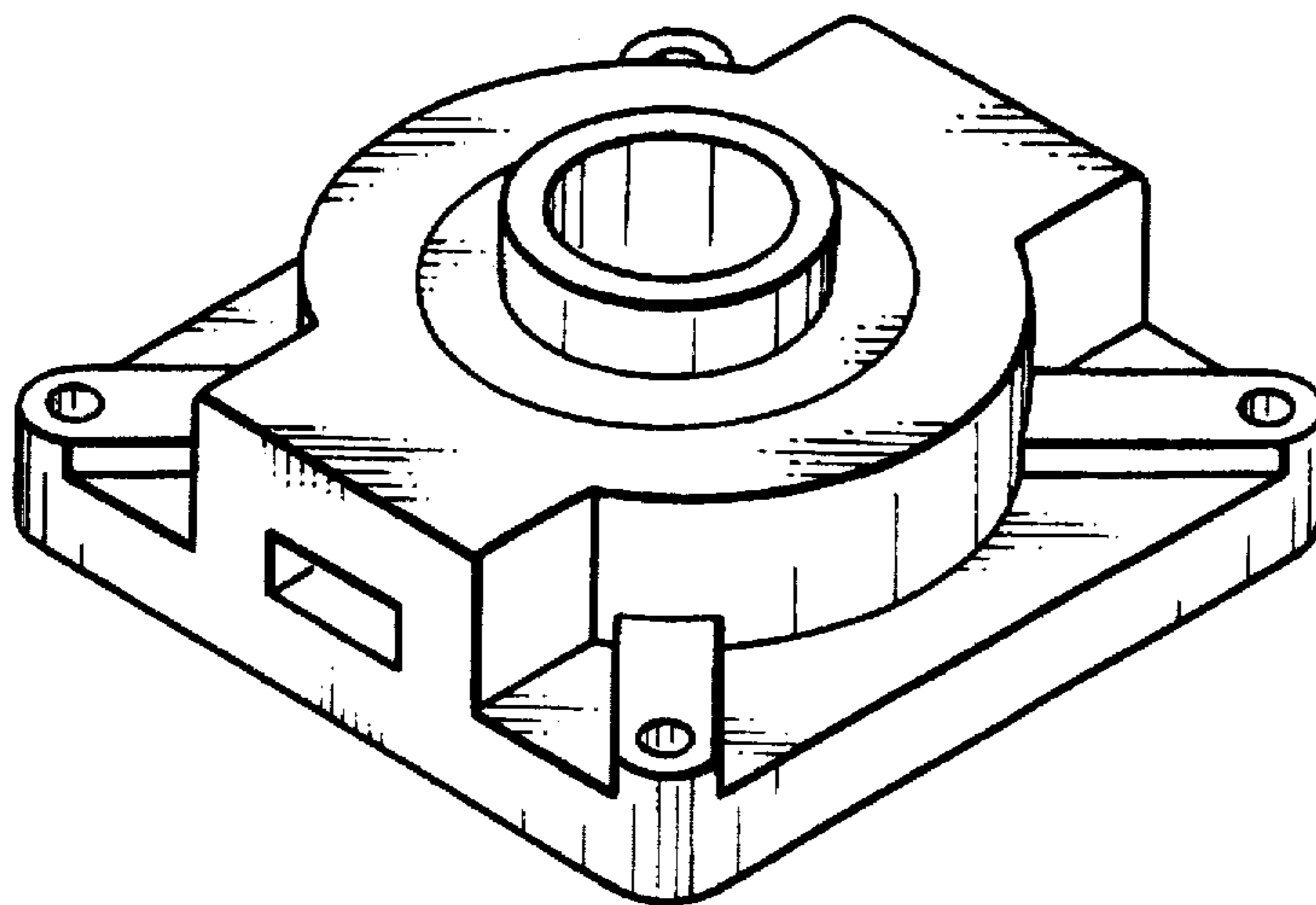


FIG. 2

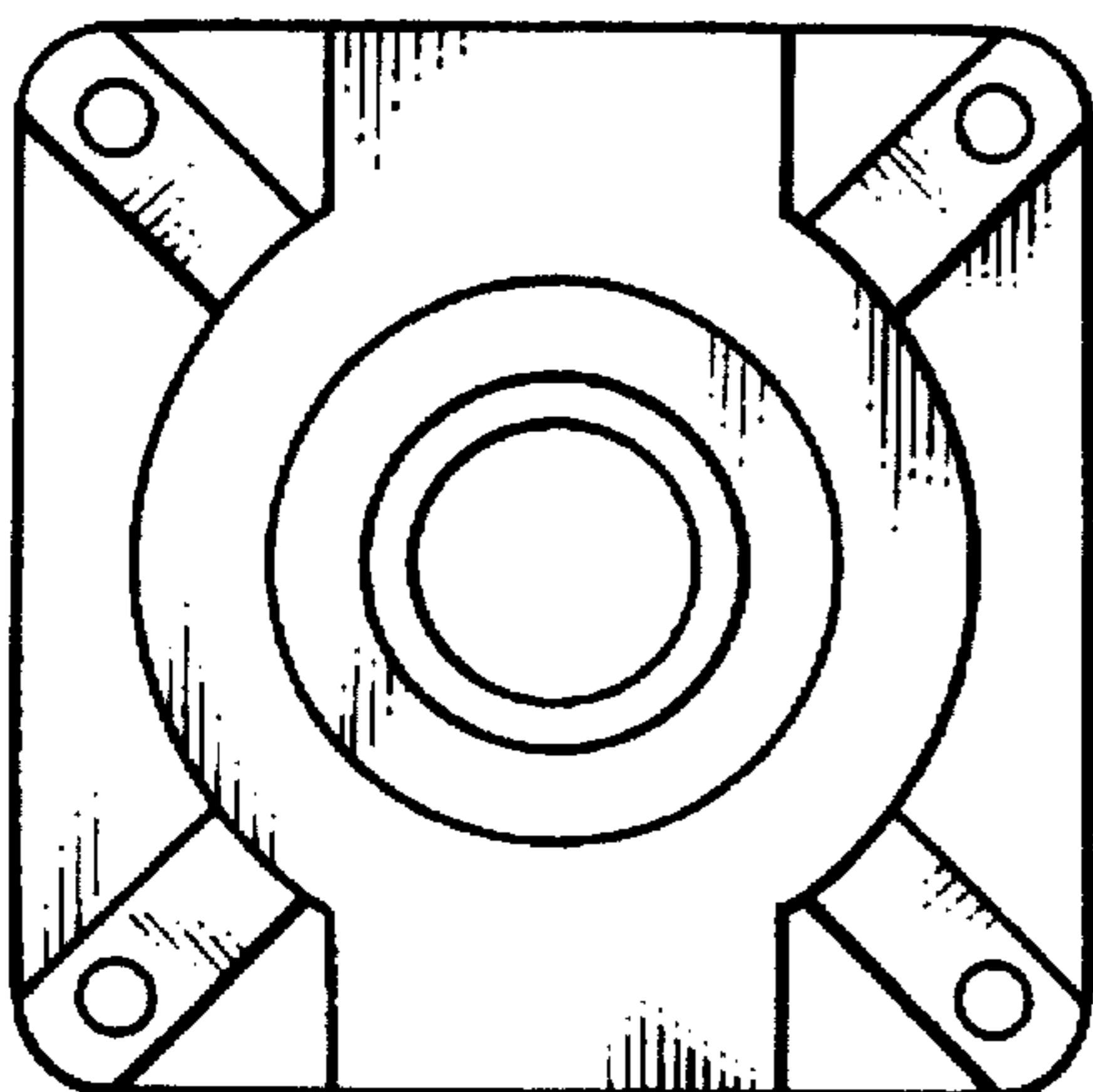


FIG. 3

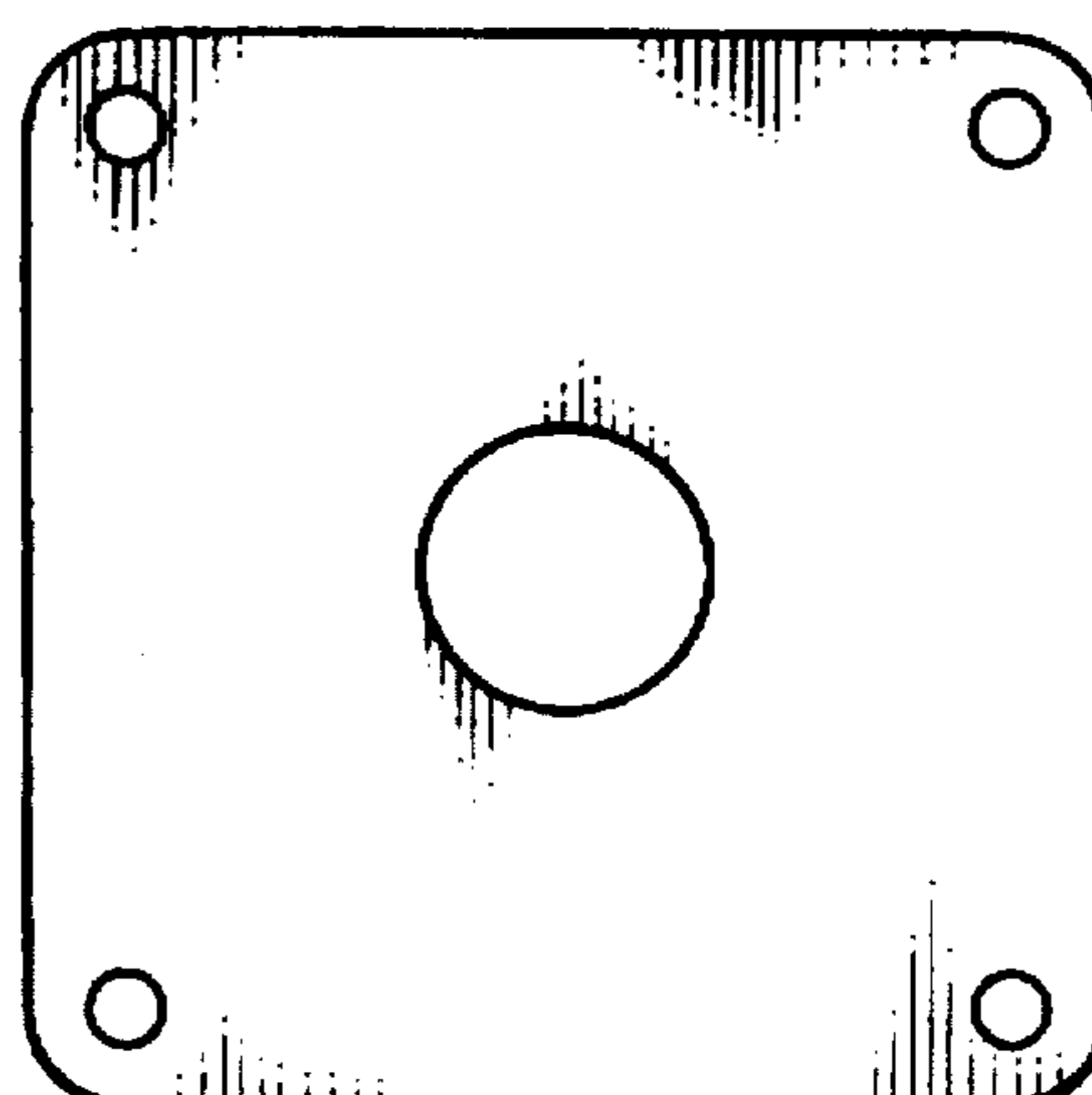


FIG. 4

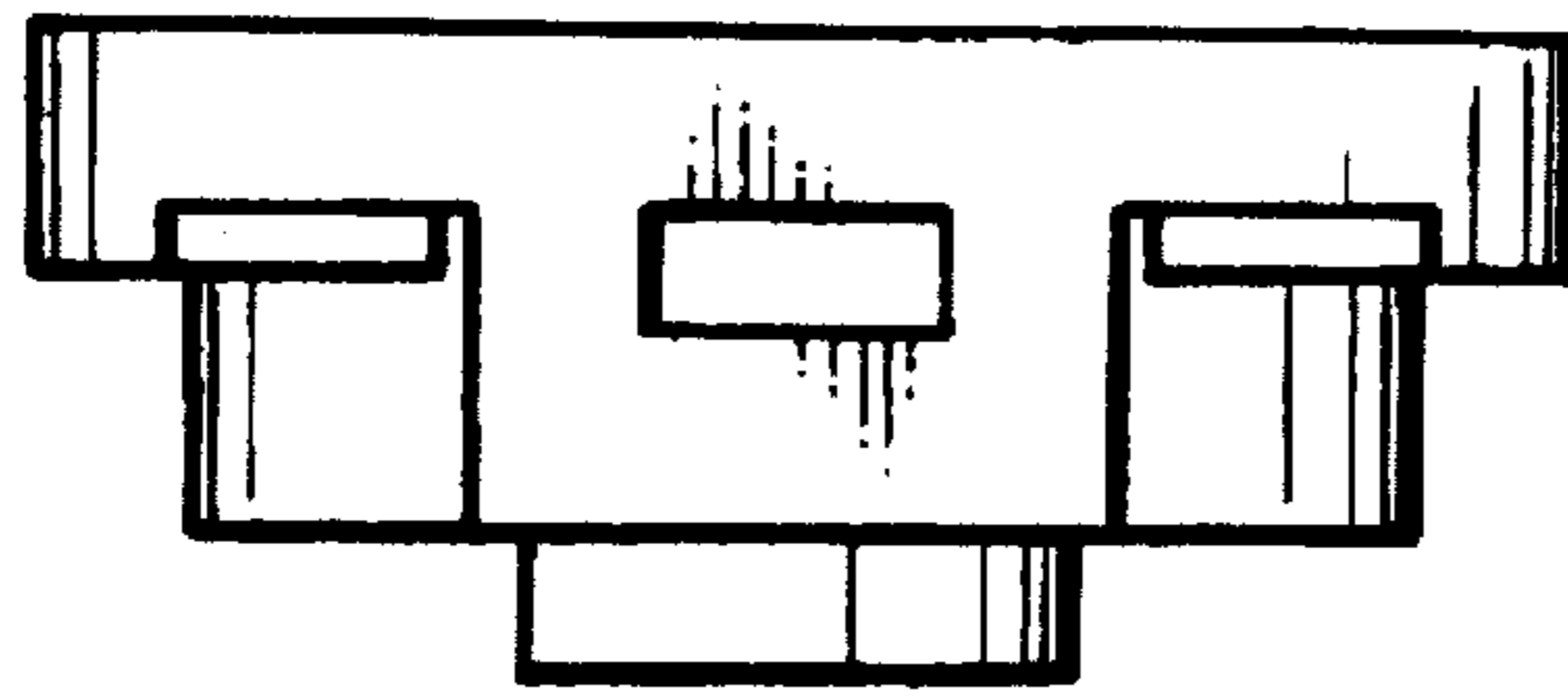


FIG. 5

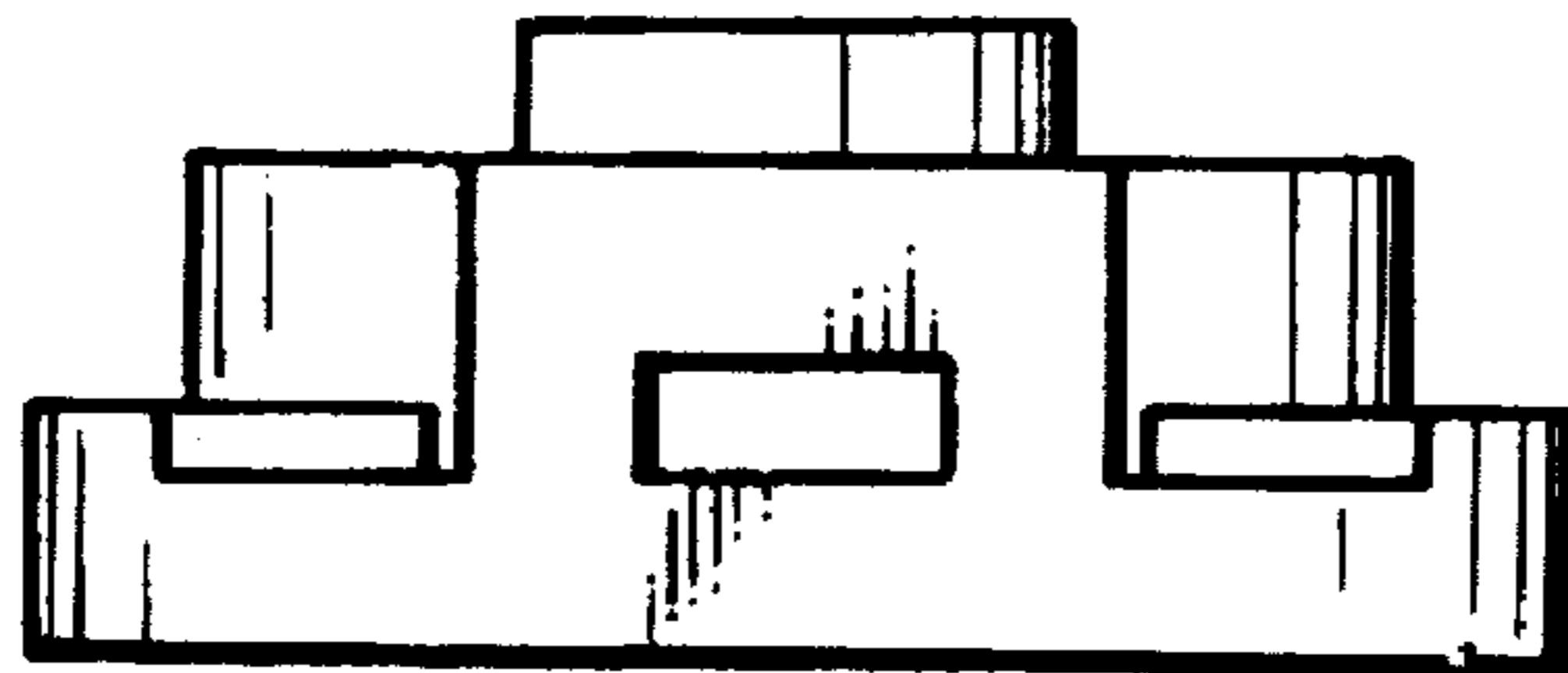


FIG. 6

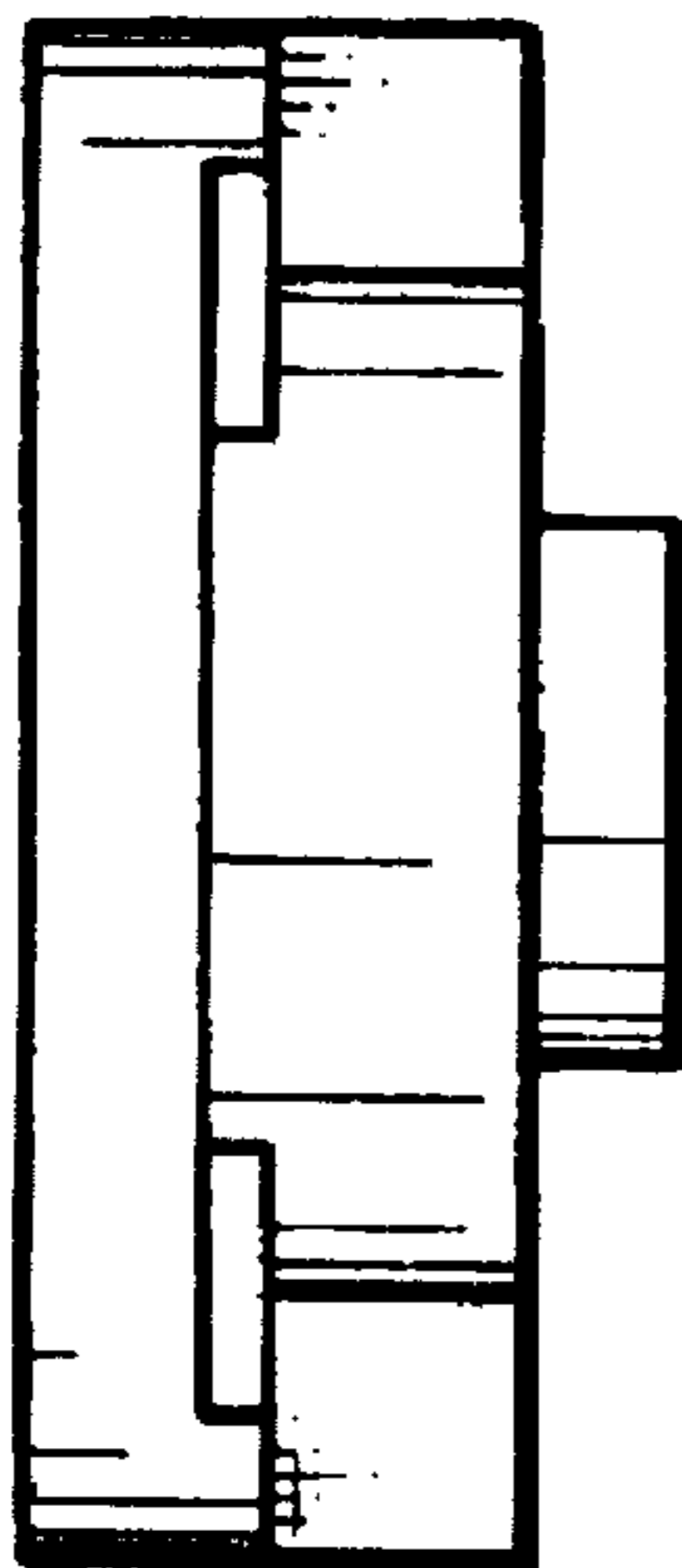


FIG. 7

