



US00D383960S

United States Patent [19]

Sandford et al.

[11] Patent Number: **Des. 383,960**

[45] Date of Patent: ****Sep. 23, 1997**

[54] TUBE END SQUARING TOOL

[75] Inventors: **William E. Sandford**, Camino; **Henry Astle**, Rancho Cordova, both of Calif.

[73] Assignee: **Tri Tool, Inc.**, Rancho Cordova, Calif.

[**] Term: **14 Years**

[21] Appl. No.: **41,246**

[22] Filed: **Jul. 10, 1995**

[51] LOC (6) Cl. **08-01**

[52] U.S. Cl. **D8/61; D8/70**

[58] Field of Search **D8/61, 70, 71, D8/72; 7/157, 158, 170; 30/96, 97; 72/298, 306, 313; 82/128; 83/571, 187**

[56] References Cited

U.S. PATENT DOCUMENTS

D. 255,642	7/1980	Erpenbeck et al.	D8/60
D. 288,167	2/1987	Urspruch	D8/61
3,798,765	3/1974	Mattsson	30/96
4,628,779	12/1986	Louis	82/128
4,739,682	4/1988	Birkenstrand	30/96
4,825,543	5/1989	Thalman et al.	30/96
4,845,850	7/1989	Rothenberger	30/96

OTHER PUBLICATIONS

Portable bit sharpener #23929, *Leichtung Work Shops Catalog*, Summer 1991, p. 12.

Primary Examiner—B. J. Bullock
Assistant Examiner—Robert M. Spear
Attorney, Agent, or Firm—Bacon & Thomas

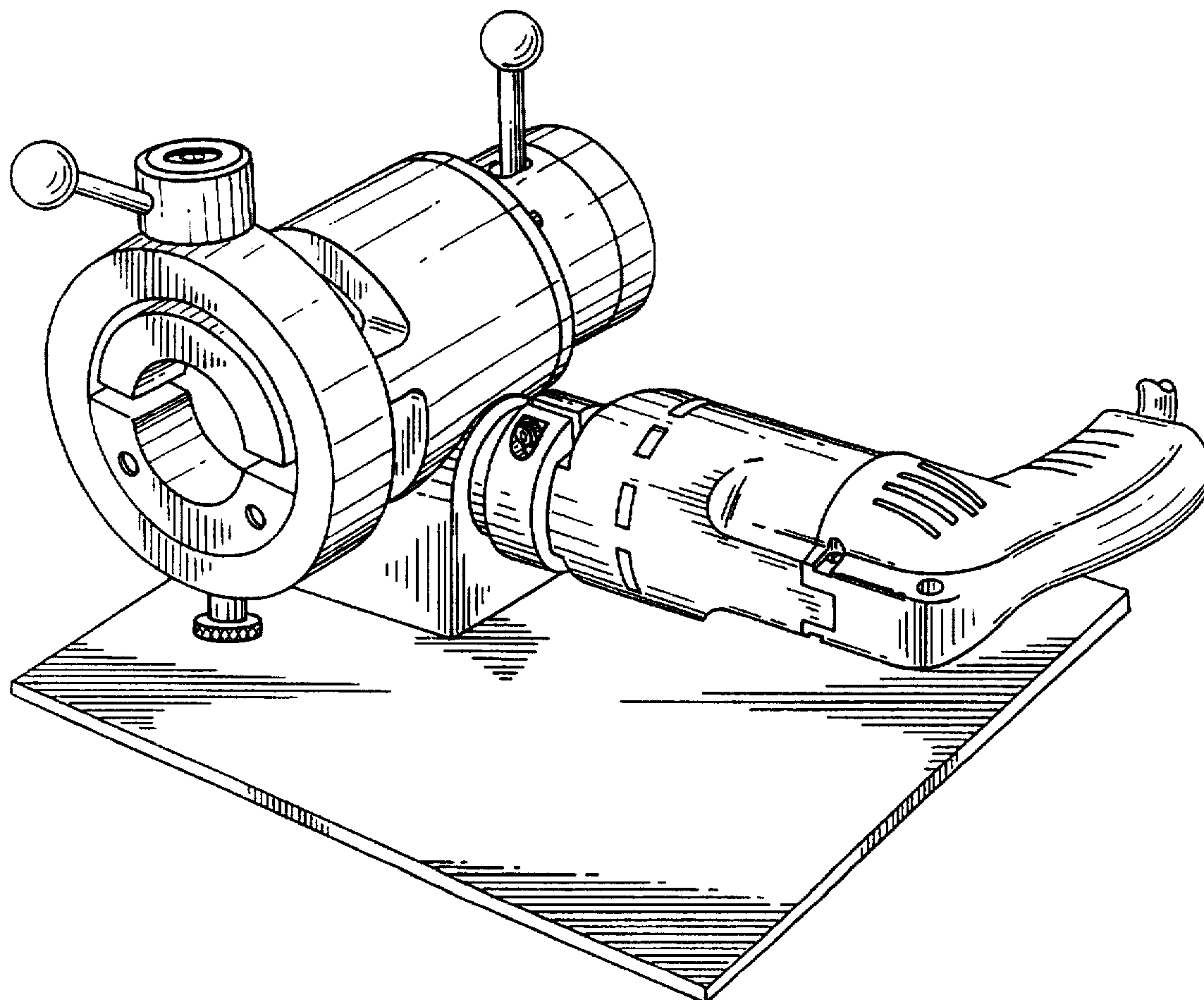
[57] CLAIM

The ornamental design for a tube end squaring tool, as shown and described.

DESCRIPTION

FIG. 1 is a top left front perspective view of the tube end squaring tool of our new design;
FIG. 2 is another top right rear perspective view of the tube end squaring tool of our new design;
FIG. 3 is a top plan view thereof;
FIG. 4 is a left elevational side view thereof;
FIG. 5 is a front elevational view thereof;
FIG. 6 is a rear elevational view thereof;
FIG. 7 is a right side elevational view thereof; and,
FIG. 8 is a bottom plan view thereof.

1 Claim, 4 Drawing Sheets



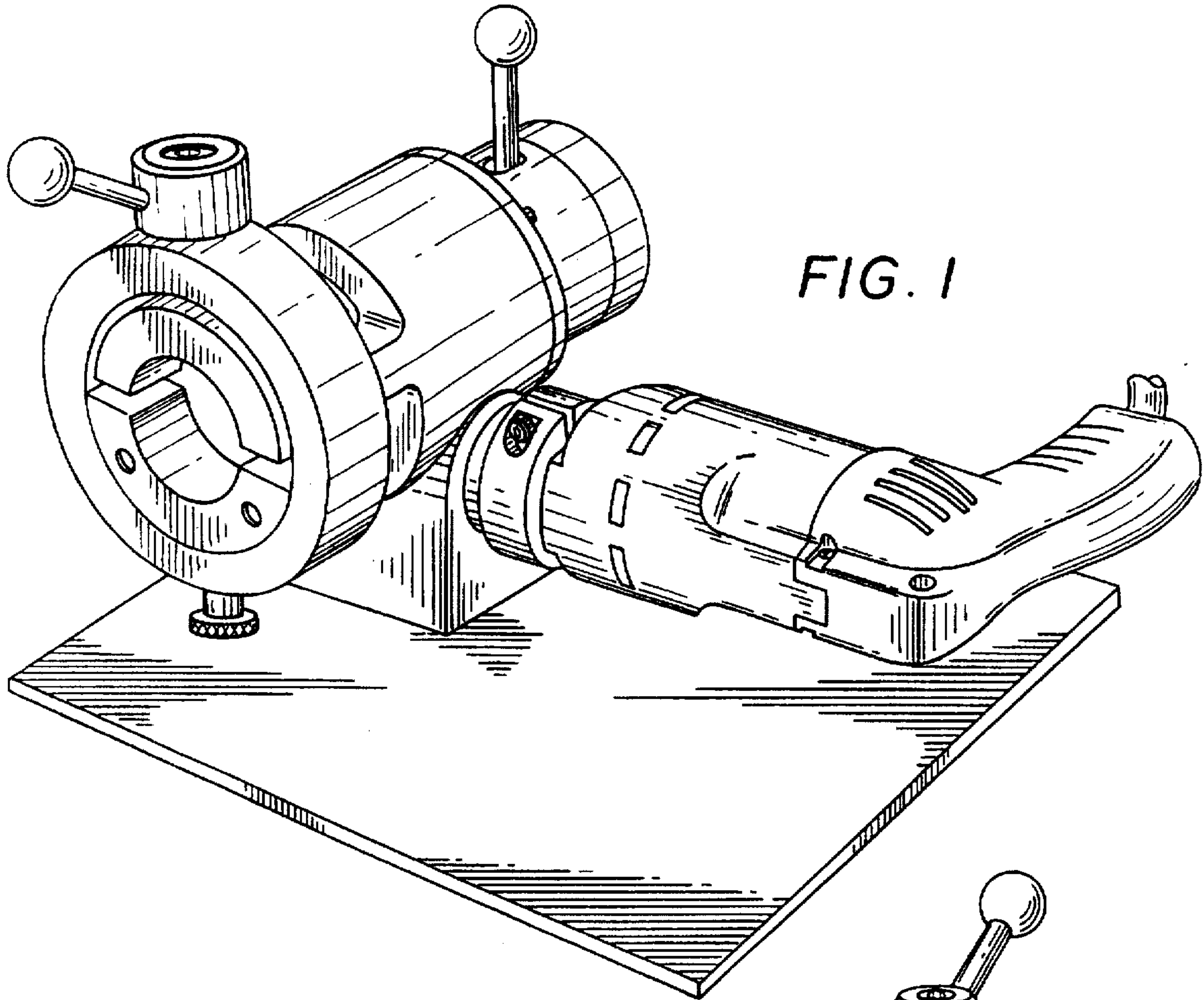


FIG. 1

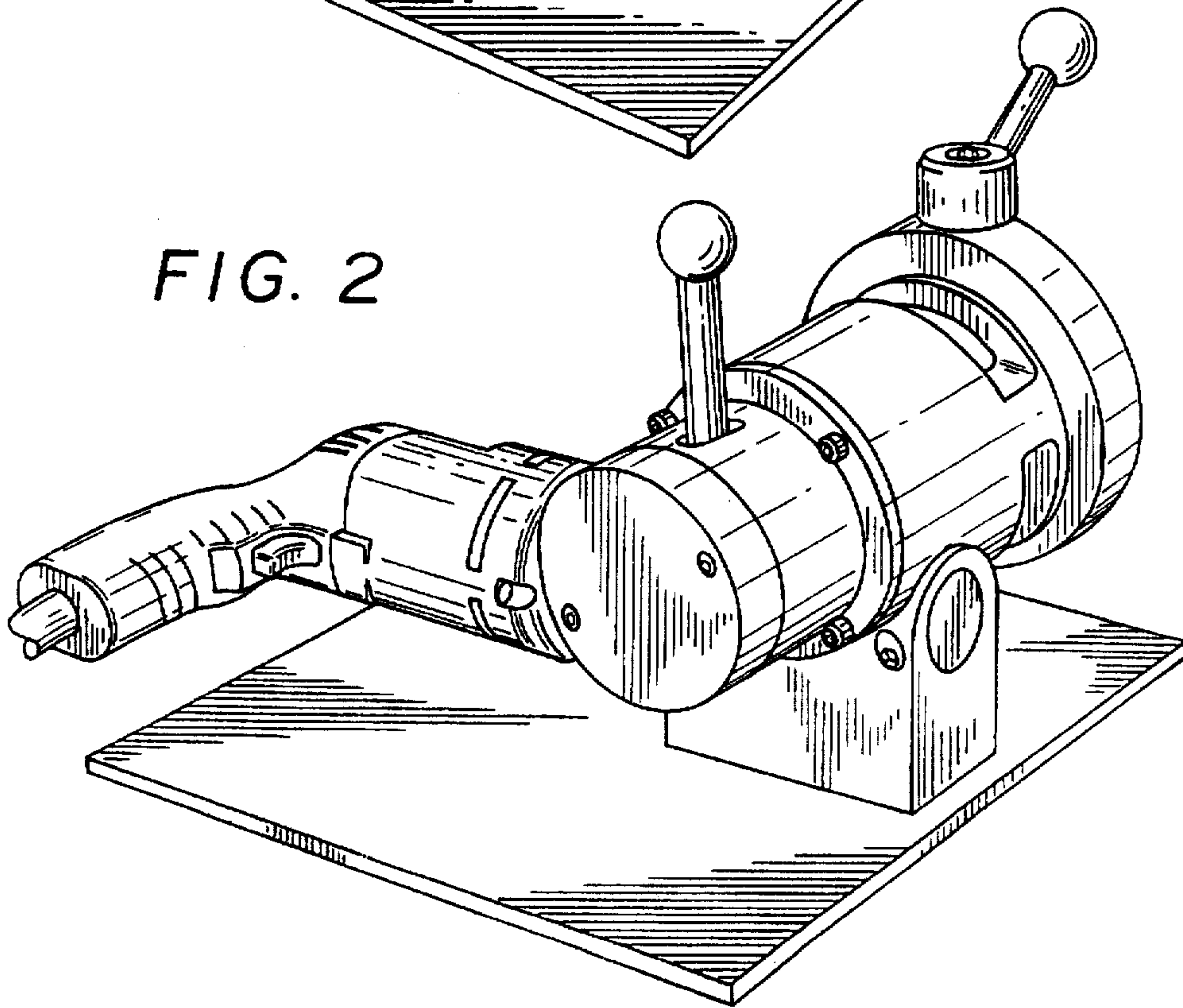


FIG. 2

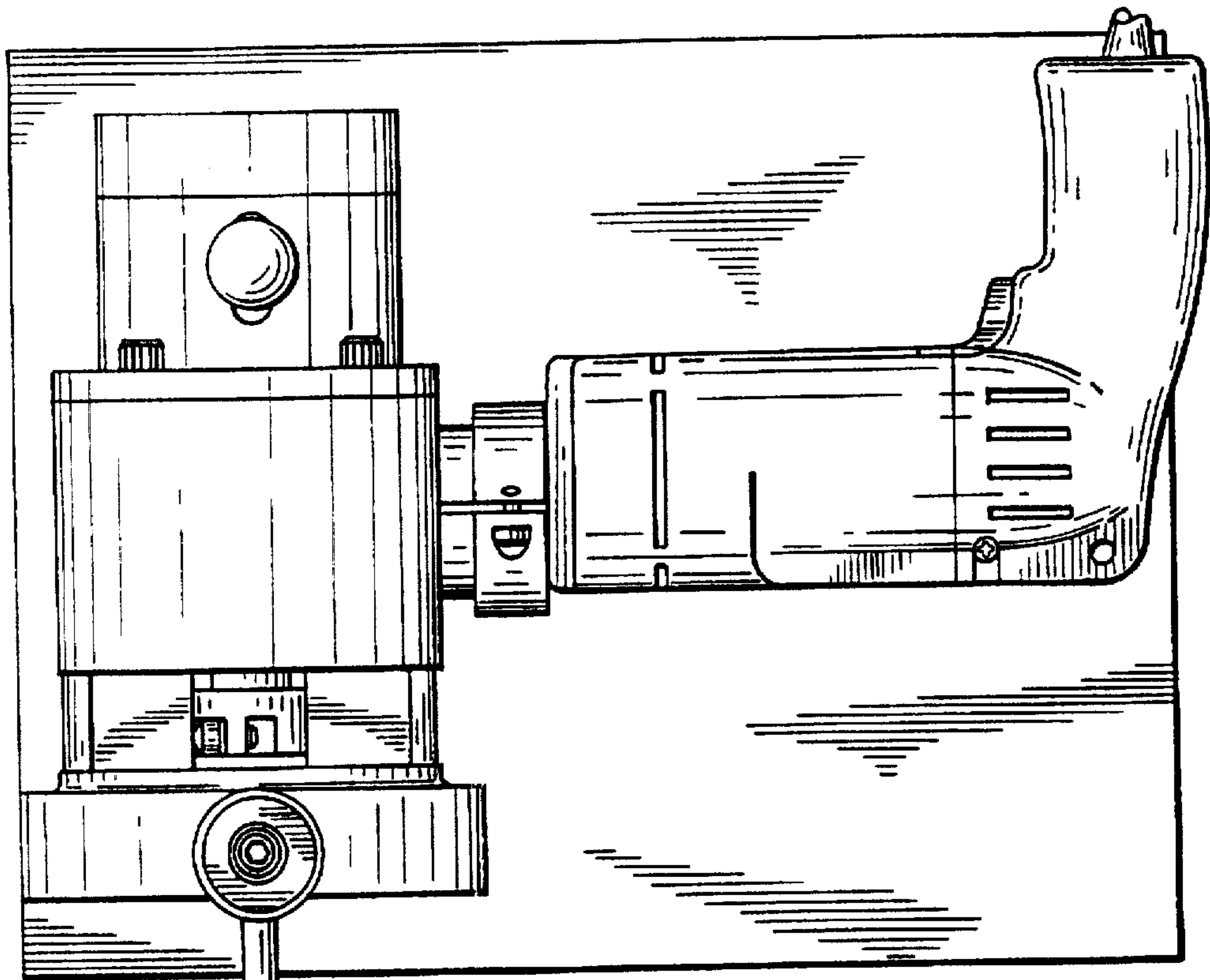


FIG 3

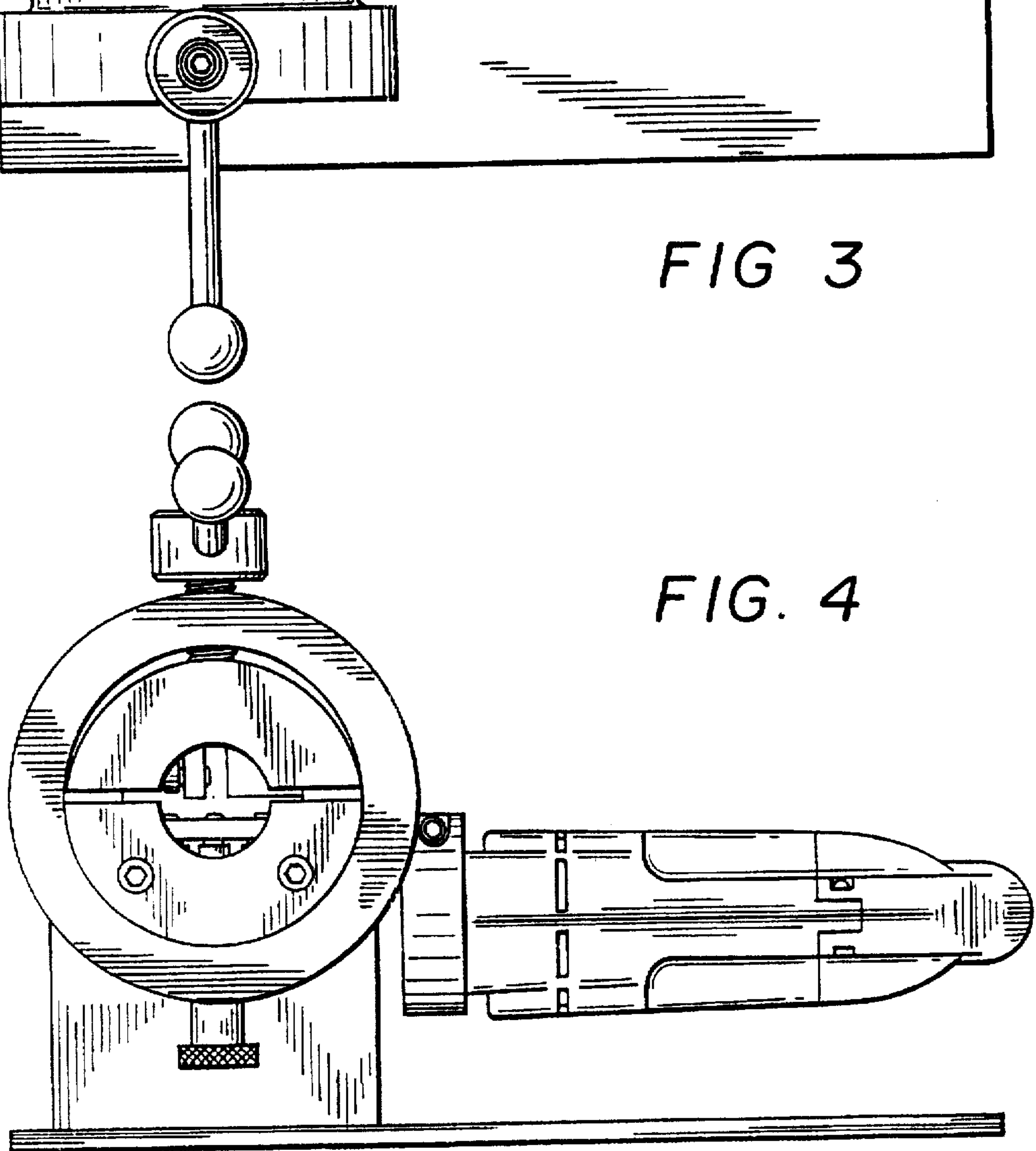


FIG. 4

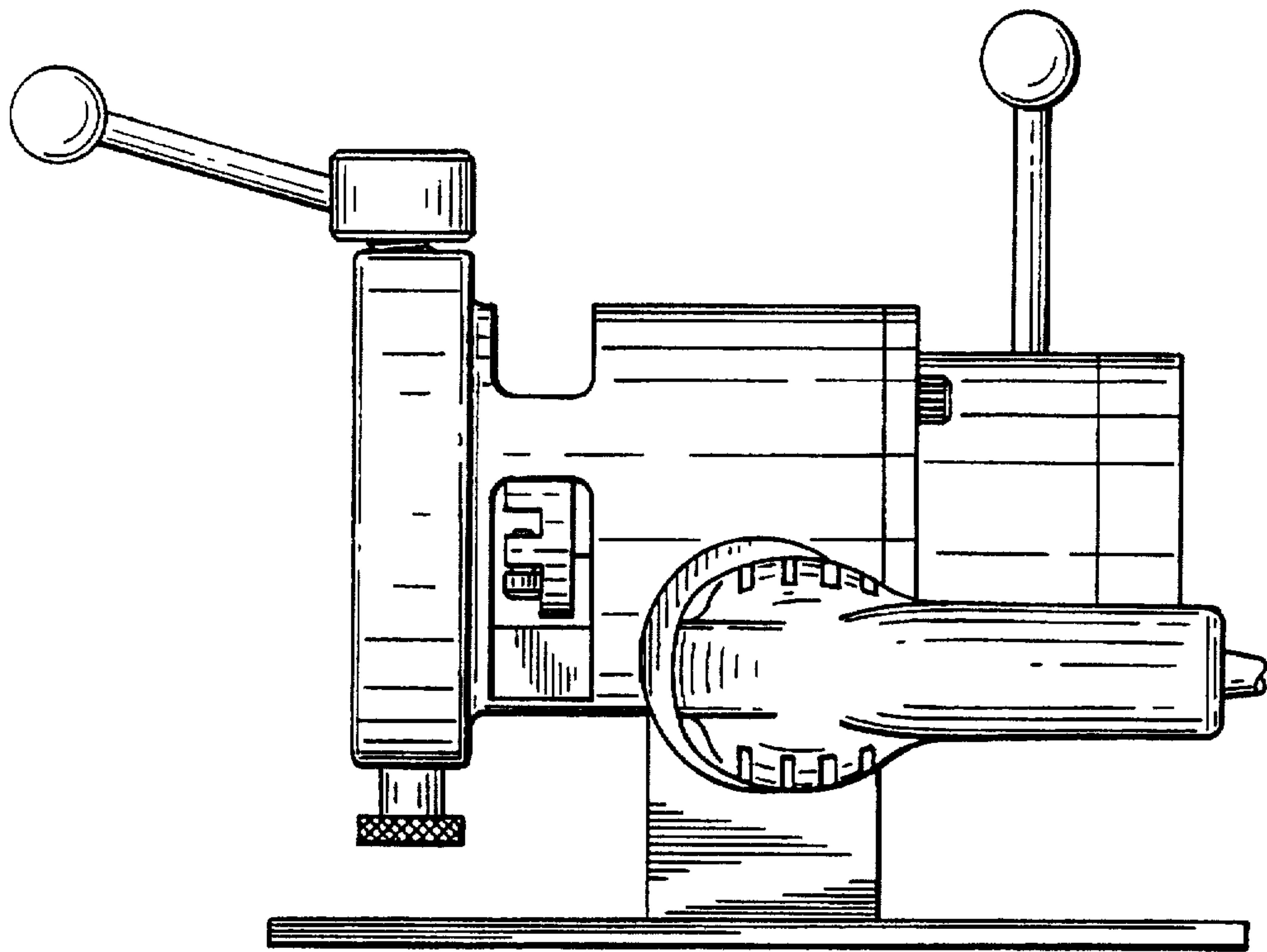


FIG. 5

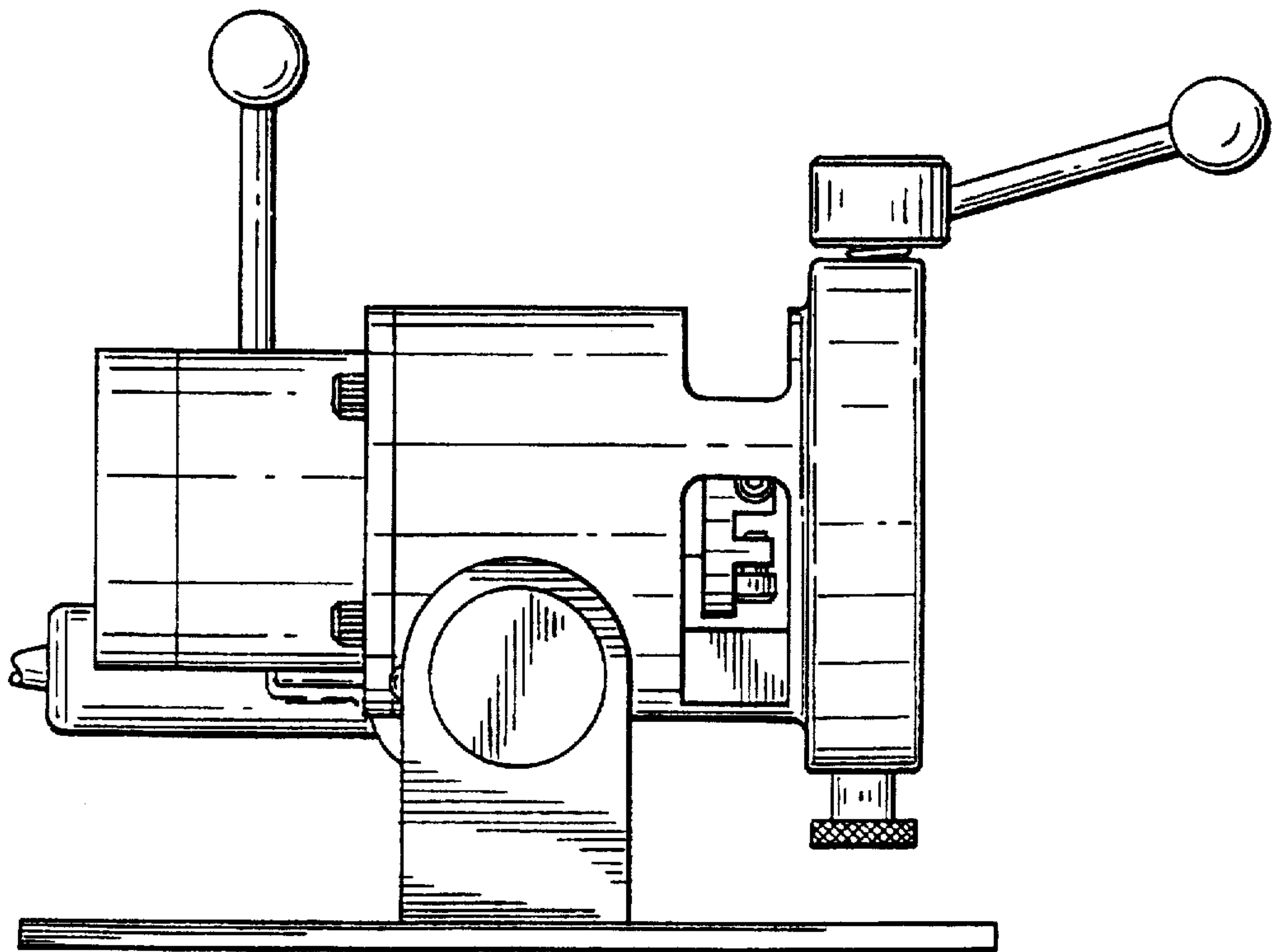


FIG. 6

FIG. 7

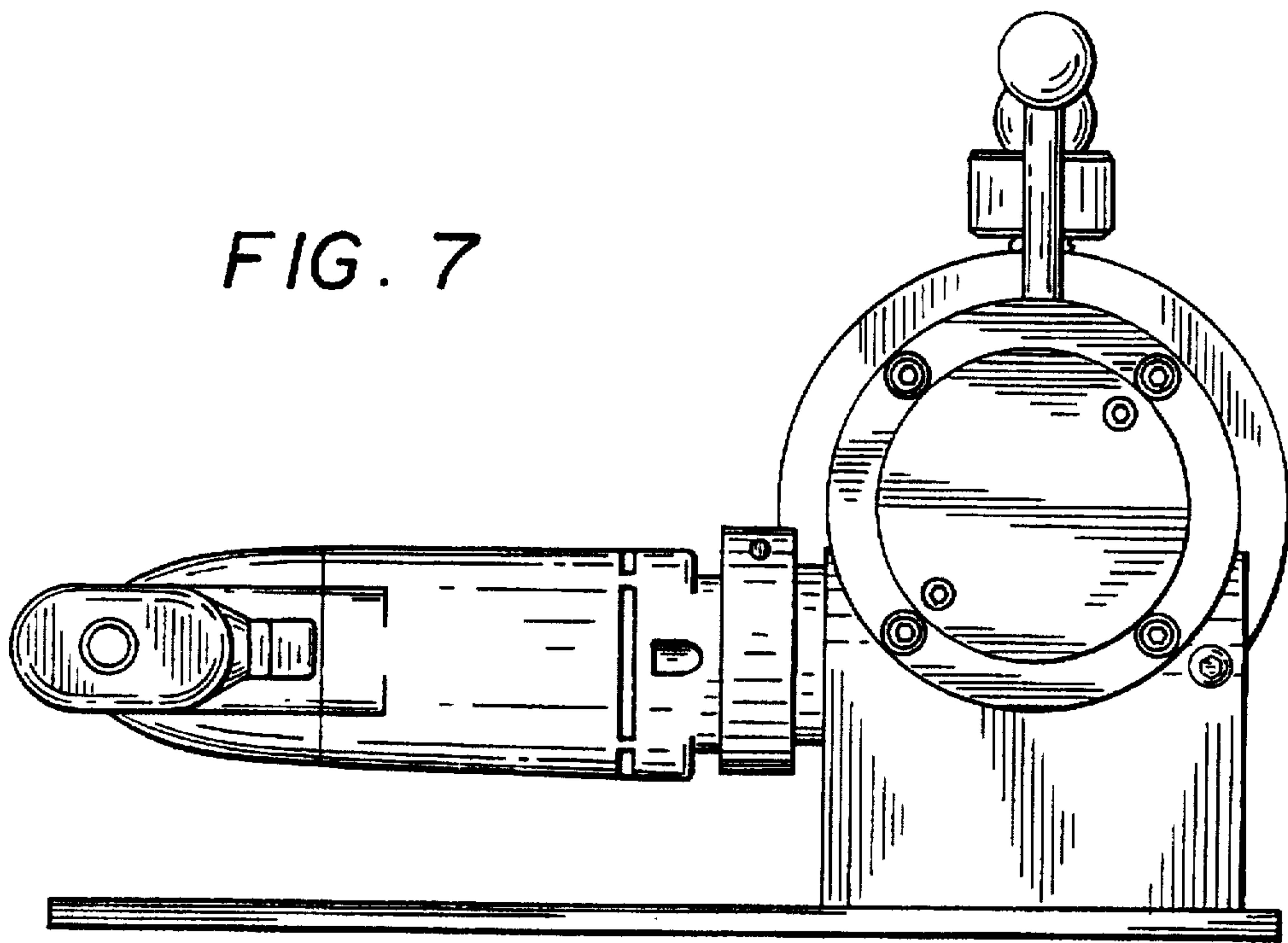


FIG. 8

