



US00D383954S

United States Patent [19]

[11] Patent Number: **Des. 383,954**

Biunno

[45] Date of Patent: ****Sep. 23, 1997**

[54] **COMBINED BOTTLE AND CAN OPENER**

[76] Inventor: **Richard J. Biunno**, 95 Karnell Dr.,
Piscataway, N.J. 08854

[**] Term: **14 Years**

[21] Appl. No.: **57,430**

[22] Filed: **Jul. 25, 1996**

[51] LOC (6) Cl. **07-99**

[52] U.S. Cl. **D8/40; D8/38**

[58] Field of Search **D8/18, 33, 34,
D8/38, 39-43; 81/3.55, 3.57, 3.09**

[56] **References Cited**

U.S. PATENT DOCUMENTS

D. 281,572	12/1985	Gabriel et al.	D8/40
D. 289,364	4/1987	Bass	D8/34
D. 339,968	10/1993	Shy	D8/40
D. 352,878	11/1994	Penrose	D8/38
4,414,865	11/1983	Brooks et al.	D8/40
5,309,794	5/1994	Kelly	81/3.55

Primary Examiner—Ted Shooman
Assistant Examiner—Adir Aronovich
Attorney, Agent, or Firm—Thomas A. Beck; Baker & Friedman

[57] **CLAIM**

The ornamental design for a combined bottle and can opener, as shown and described.

DESCRIPTION

FIG. 1 is an isometric view of a combined bottle and can opener showing my new design;

FIG. 2 is a an end view thereof;

FIG. 3 is a rear view of FIG. 1;

FIG. 4 is an end view opposite of that shown in FIG. 2;

FIG. 5 is the device engaging a twist-off cap;

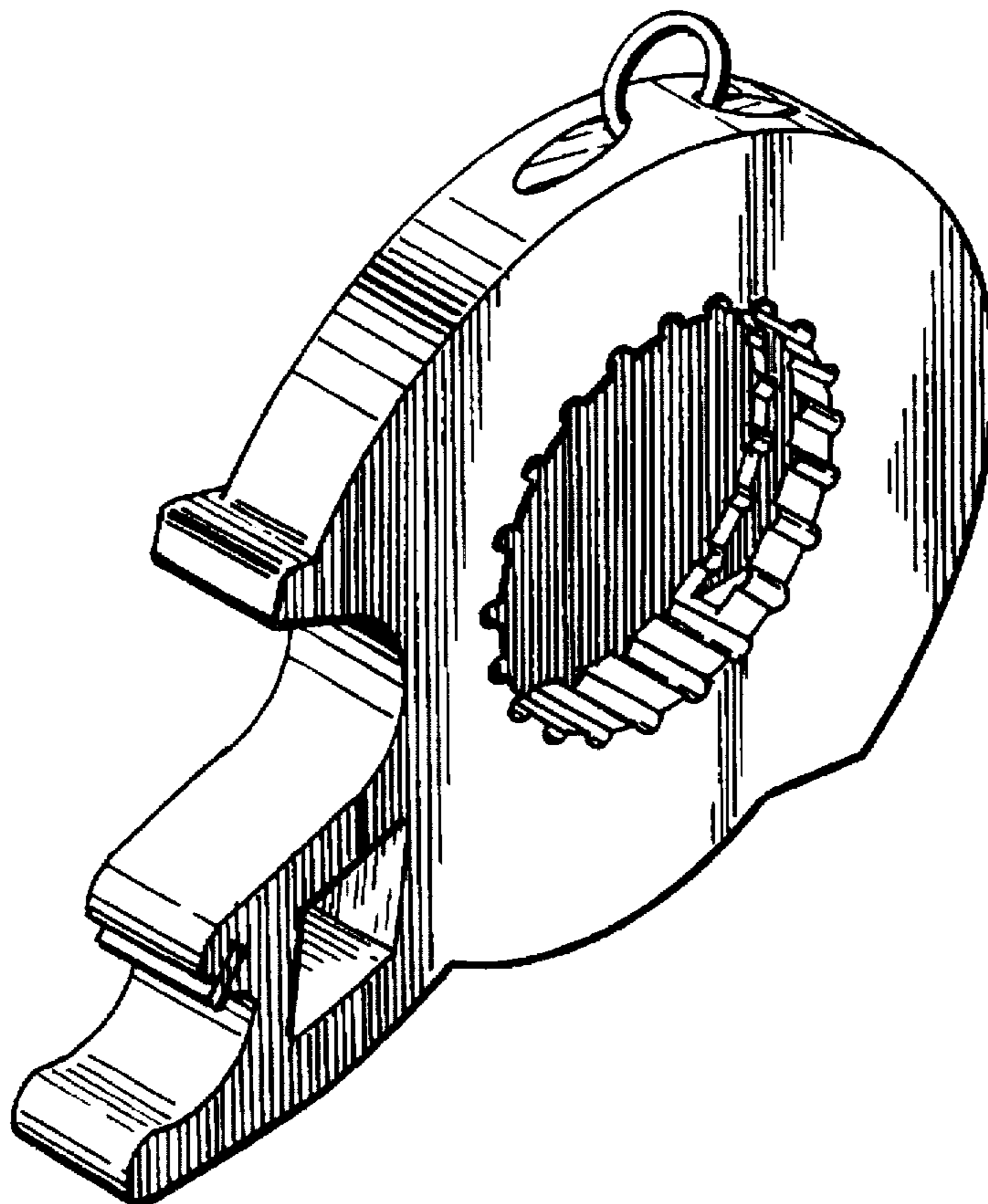
FIG. 6 is the device engaging a pry-off cap; and,

FIG. 7 is the device engaging a pop-top cap.

The reference in the descriptions of FIGS. 5, 6 and 7 is used to show only the environment in which the design is used and forms no part of the claimed design. The arrows in FIGS. 5, 6 and 7 are shown to indicate the direction of rotation only;

The broken lines shown in FIGS. 5, 6 and 7 are for illustrative purposes only and form no part of the claimed design.

1 Claim, 2 Drawing Sheets



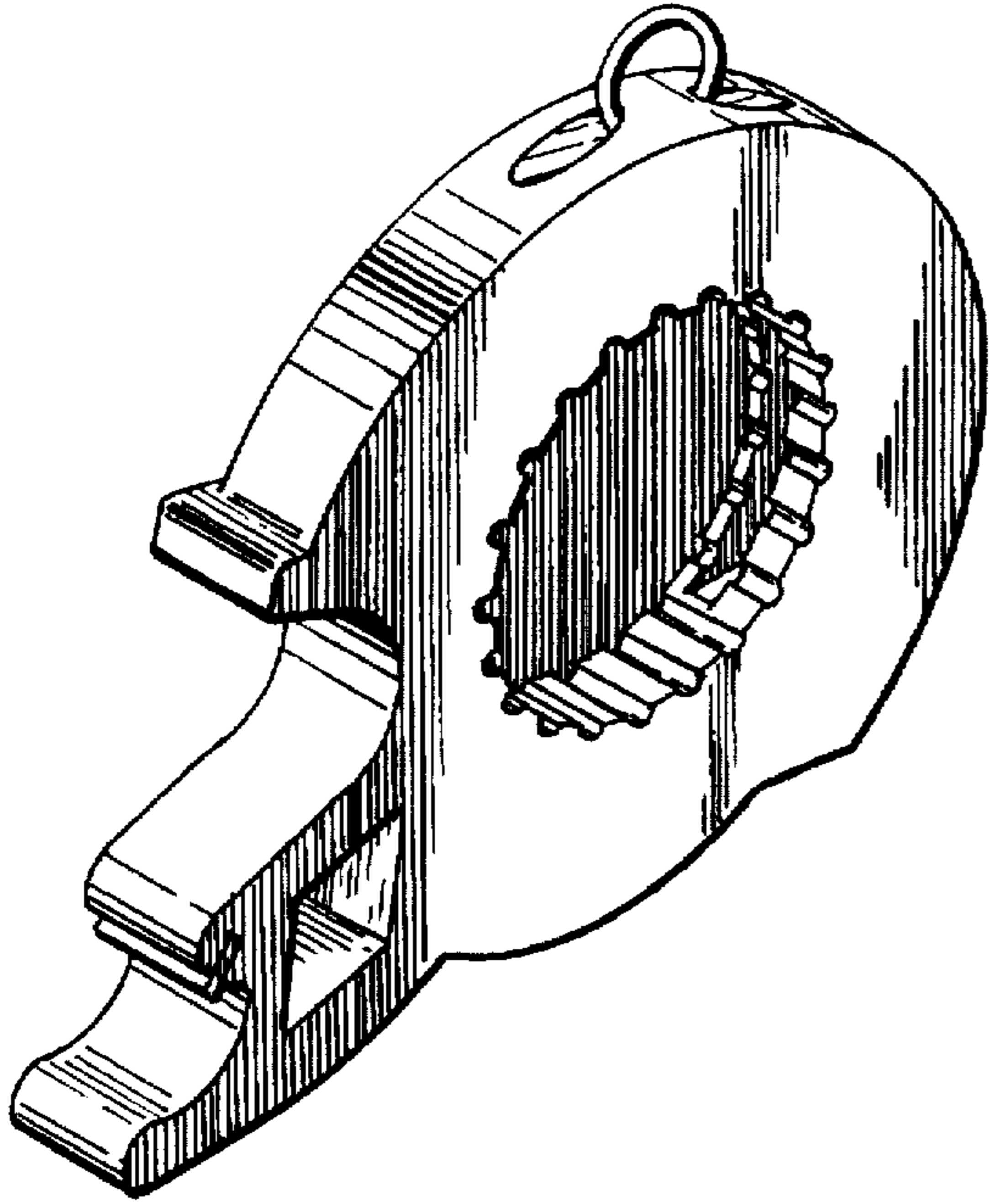


Fig. 1.



Fig. 2.

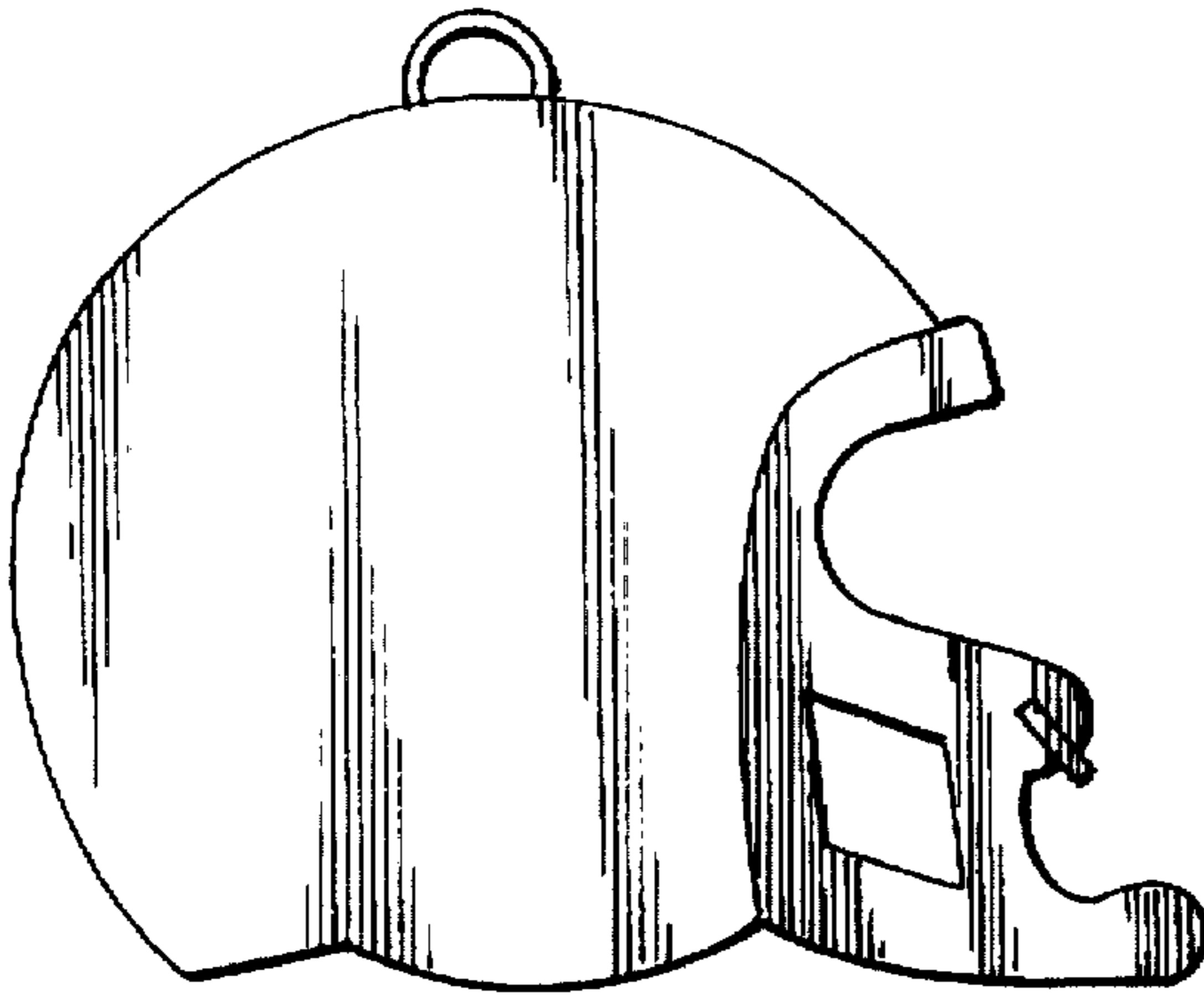


Fig. 3.



Fig. 4.

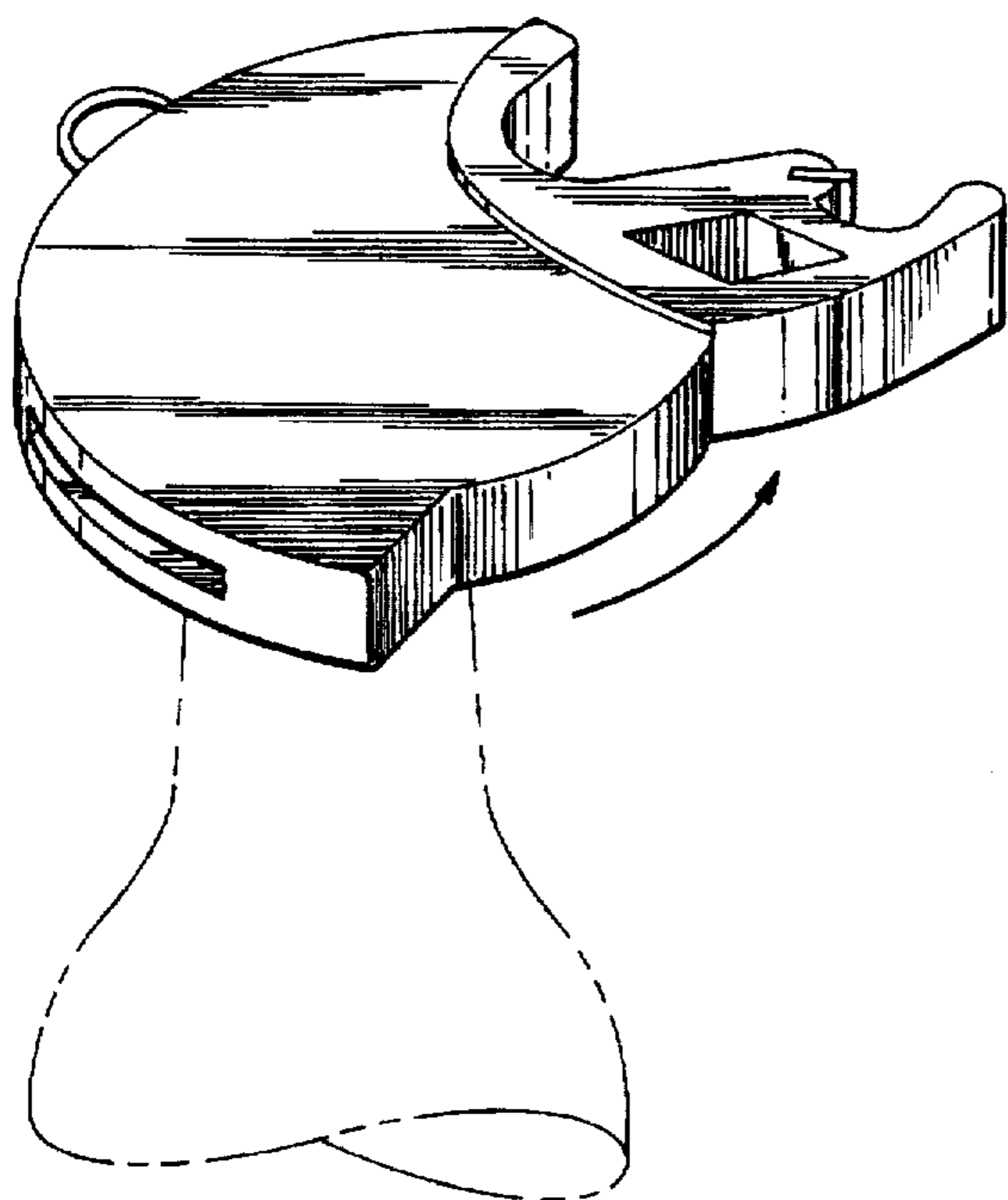


Fig. 5.

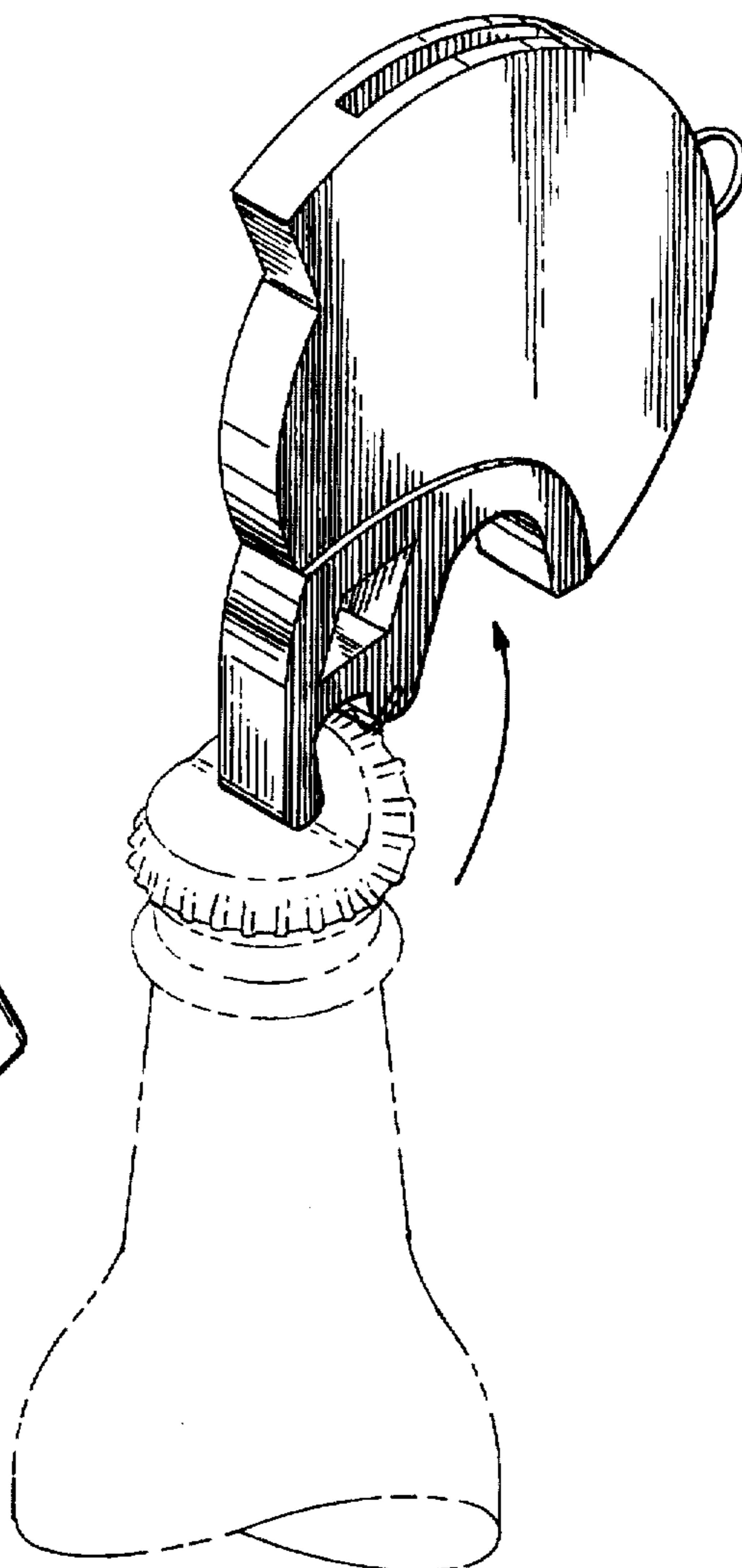


Fig. 6.

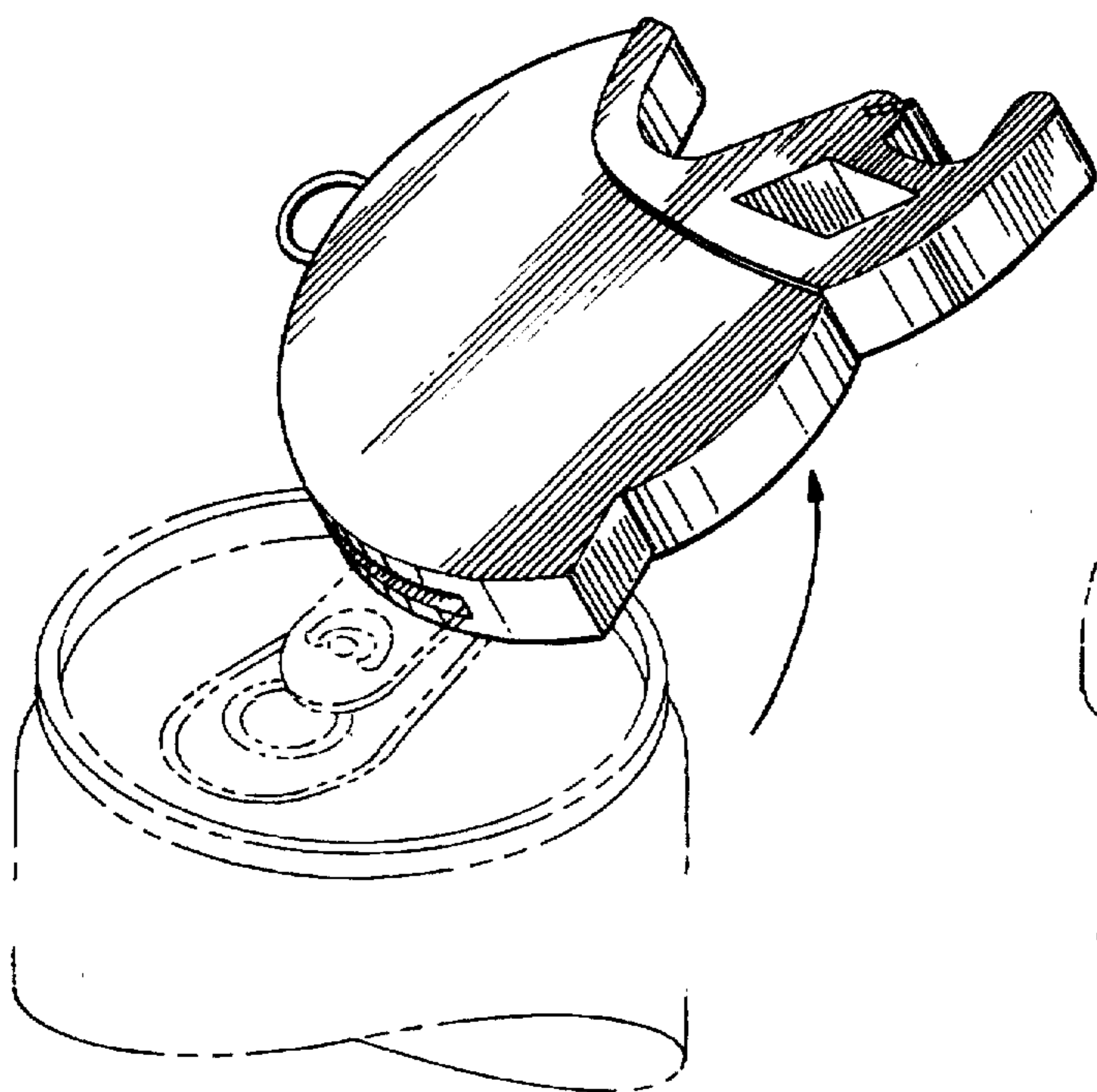


Fig. 7.