



US00D383948S

United States Patent [19]
Crane et al.

[11] **Patent Number: Des. 383,948**
[45] **Date of Patent: **Sep. 23, 1997**

[54] **EXTENDING SPOON**

[75] **Inventors: John A. Crane; Jeffrey Knurek, both of Elk Grove Village, Ill.**

[73] **Assignee: JAC Investments Inc., Chicago, Ill.**

[**] **Term: 14 Years**

[21] **Appl. No.: 48,778**

[22] **Filed: Dec. 18, 1995**

[51] **LOC (6) Cl. 07-03**

[52] **U.S. Cl. D7/653**

[58] **Field of Search D7/643, 648, 653, D7/662, 687; D8/1, 4, 14, 51, 52; D21/59; 294/93, 95; 446/424, 487**

[56] **References Cited**

U.S. PATENT DOCUMENTS

D. 107,419 12/1937 Gasser D8/4
3,030,701 4/1962 Regennitter D8/52 X

Primary Examiner—Caron D. Veynar
Attorney, Agent, or Firm—Knechtel, Demeur & Samlan

[57] **CLAIM**

The ornamental design for an “extending spoon” as shown and described.

DESCRIPTION

FIG. 1 is a perspective view of an extending spoon showing our new design;

FIG. 2 is a left side elevational view thereof;

FIG. 3 is a right side elevational view thereof;

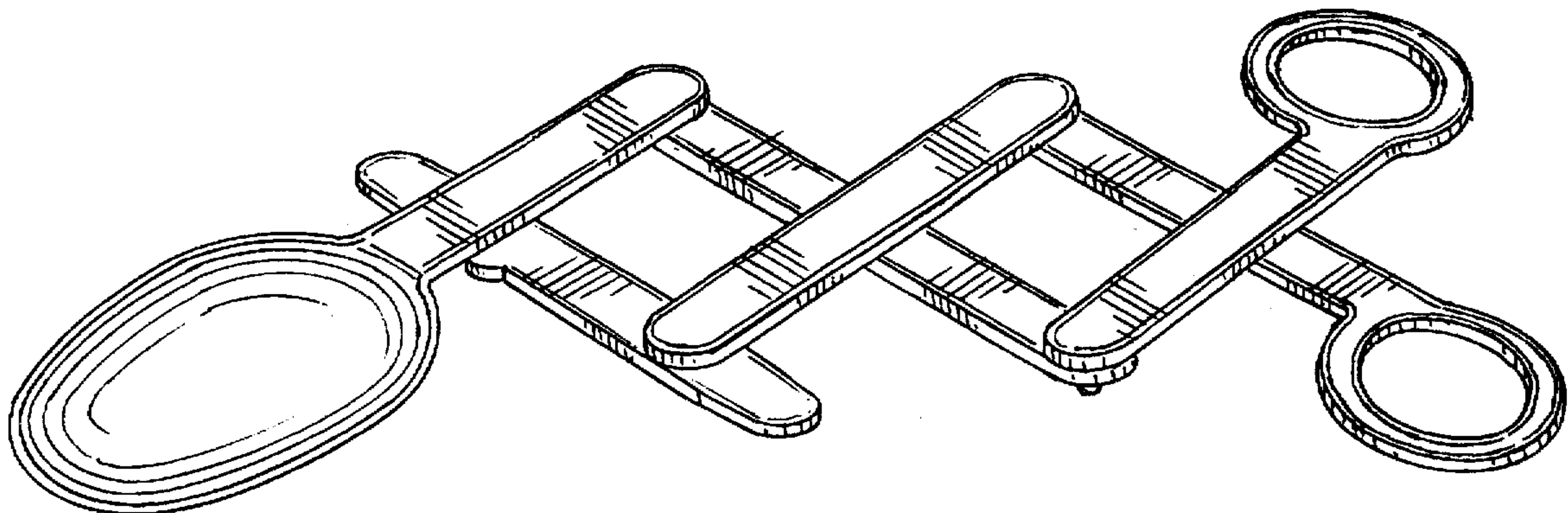
FIG. 4 is a front end elevational view thereof;

FIG. 5 is a rear end elevational view thereof;

FIG. 6 is a top plan view thereof; and,

FIG. 7 is a bottom view thereof.

1 Claim, 2 Drawing Sheets



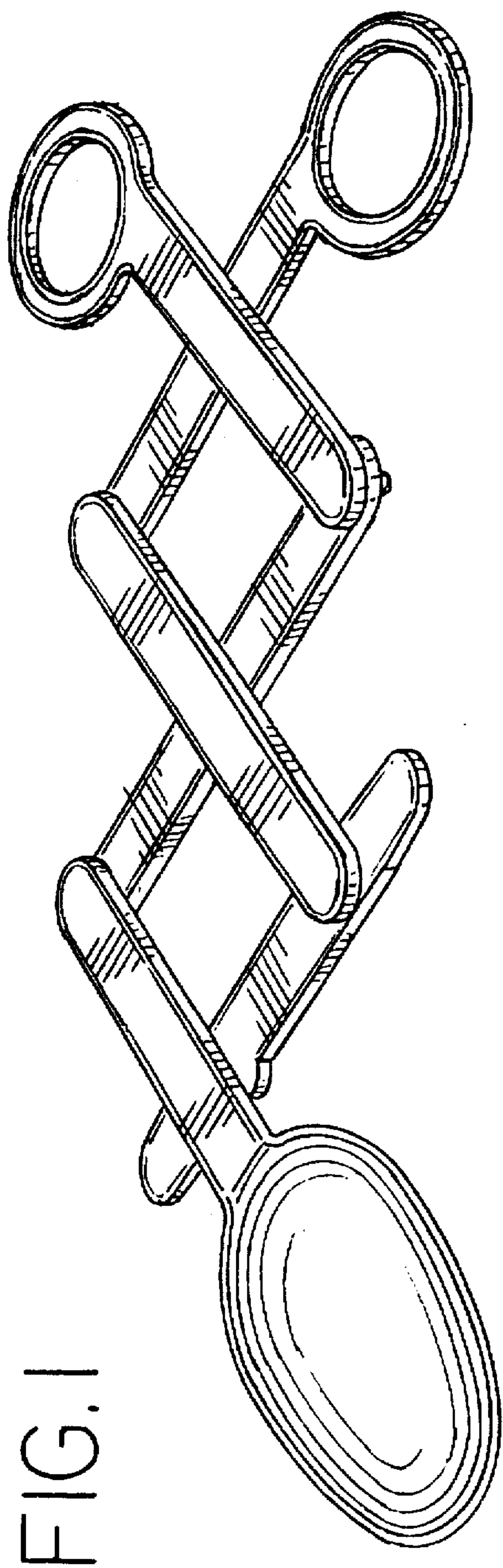


FIG. 2

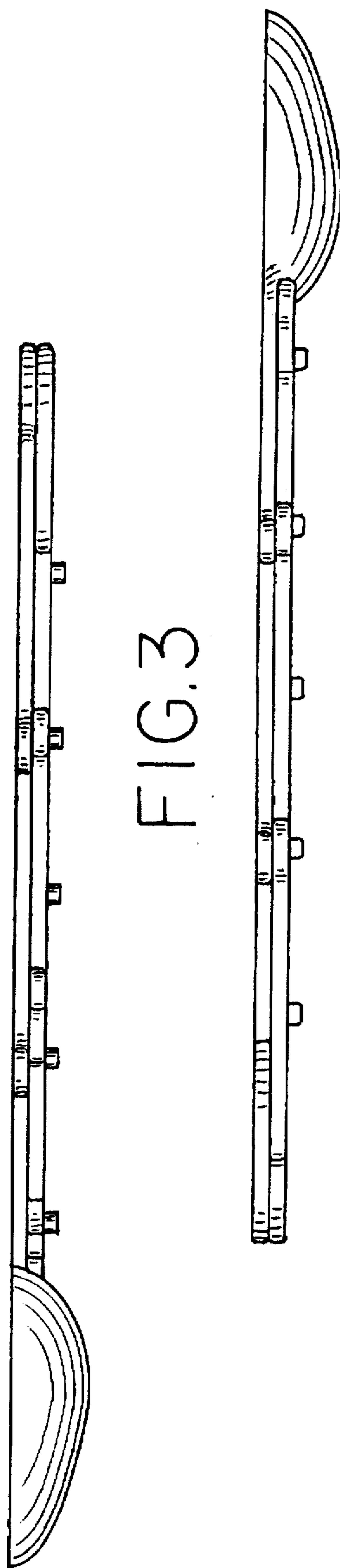


FIG.4

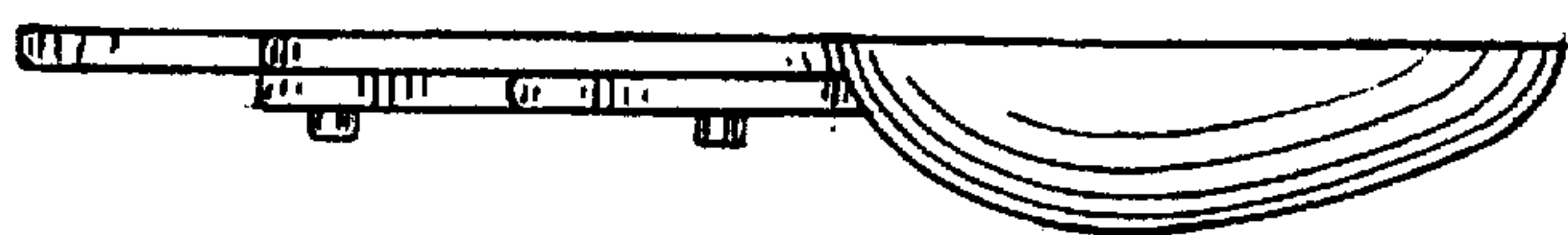


FIG.5

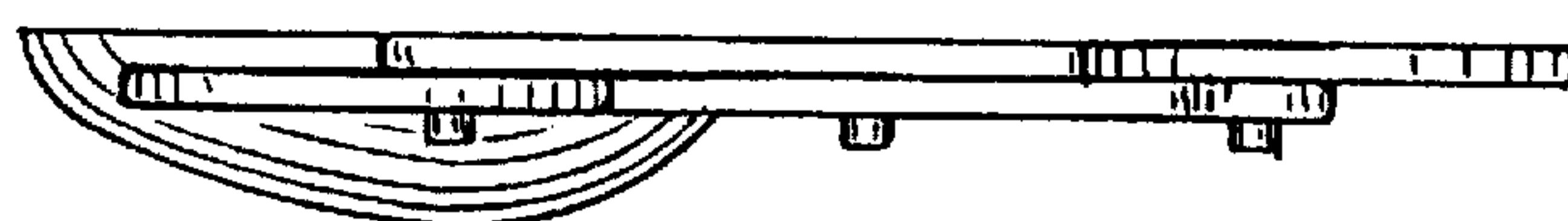


FIG.6

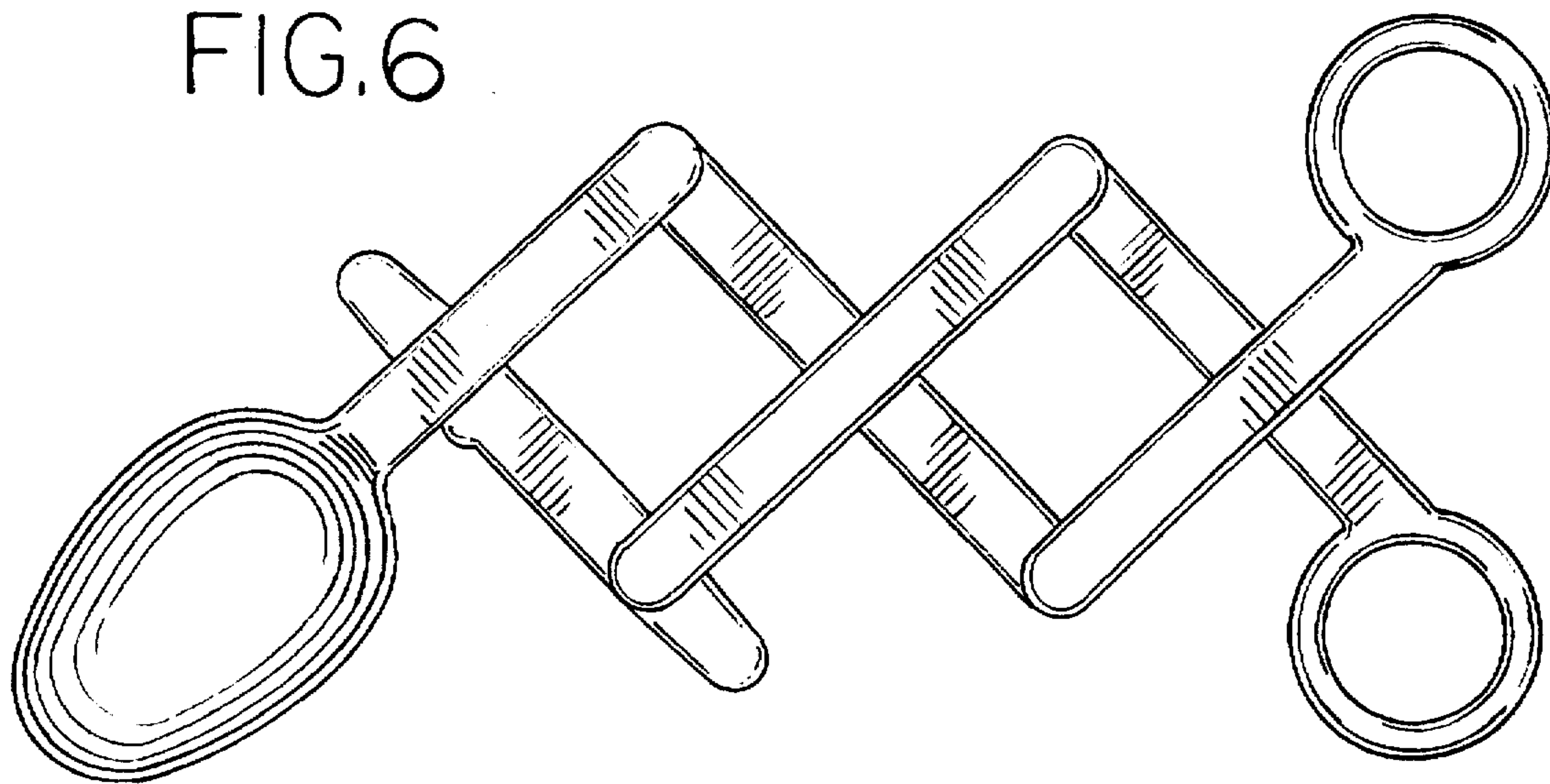


FIG.7

