



US00D383934S

**United States Patent** [19]  
**McNaughton**

[11] **Patent Number:** **Des. 383,934**  
[45] **Date of Patent:** **\*\*Sep. 23, 1997**

[54] **DISPENSER FOR HOUSEHOLD GOODS  
DISPENSED FROM ROLLS**

[75] **Inventor:** **Patrick McNaughton, Plymouth, Minn.**

[73] **Assignee:** **McNaughton Incorporated,  
Minneapolis, Minn.**

[\*\*] **Term:** **14 Years**

[21] **Appl. No.:** **47,828**

[22] **Filed:** **Dec. 13, 1995**

[51] **LOC (6) Cl.** ..... **07-07**

[52] **U.S. Cl.** ..... **D6/518**

[58] **Field of Search** ..... **D6/518, 520, 522;  
D19/86, 89; 242/570, 590, 588, 588.3,  
588.4, 598; 312/34.8**

[56] **References Cited**

**U.S. PATENT DOCUMENTS**

D. 156,646	12/1949	Mell	.....	D6/518
D. 334,028	3/1993	Tam	.....	D6/518
D. 341,046	11/1993	Clark, Jr.	.....	D6/518
D. 359,987	7/1995	Yoshikawa	.....	D6/518
D. 364,766	12/1995	Crawford et al.	.....	D6/518

*Primary Examiner*—Brian N. Vinson

*Attorney, Agent, or Firm*—Gregory P. Kaihoi

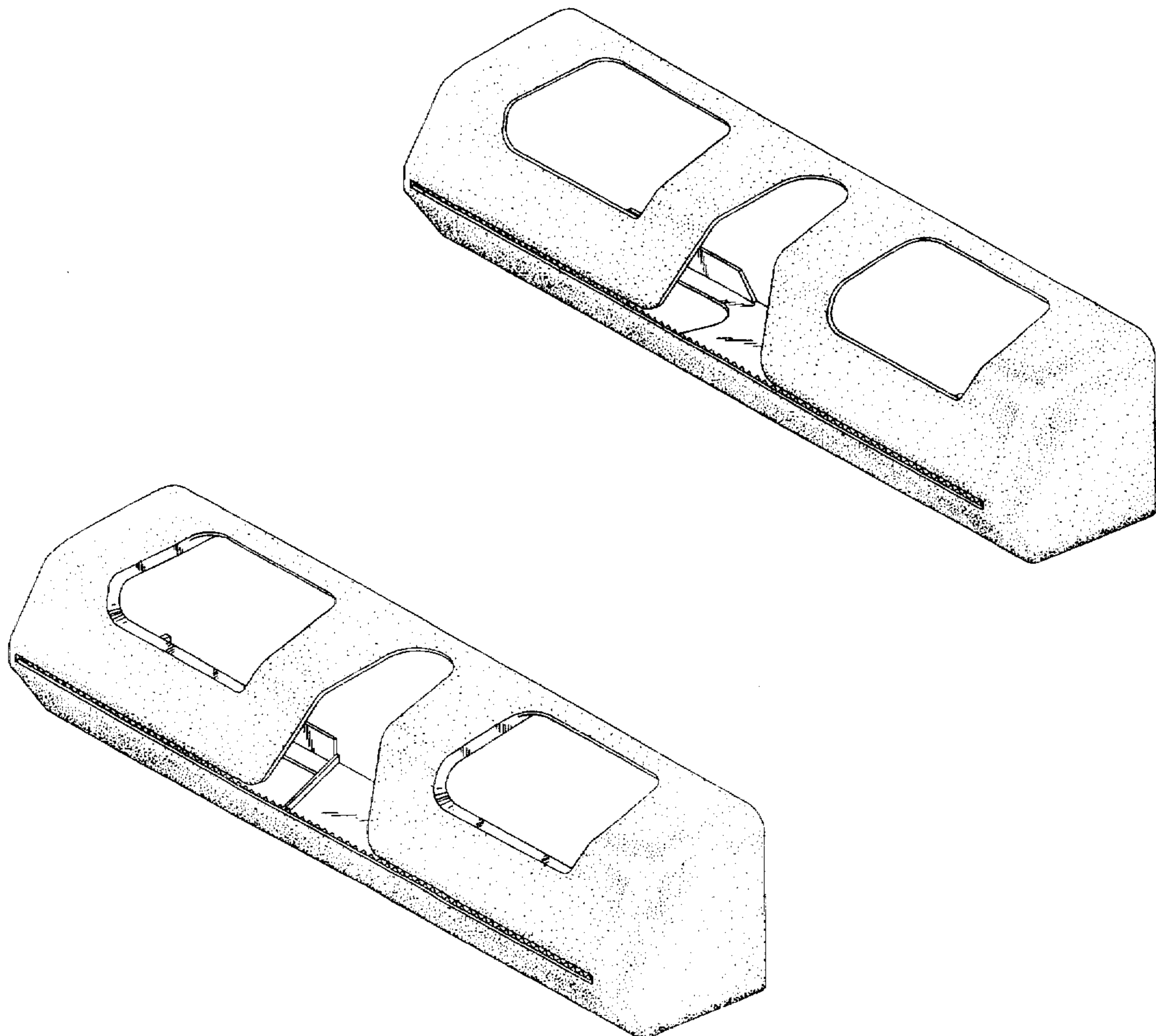
[57] **CLAIM**

The ornamental design for a dispenser for household goods dispensed from rolls, as shown.

**DESCRIPTION**

FIG. 1 is a top, front, and right side perspective view of a first embodiment of a dispenser for household good dispensed from rolls showing my new design;  
 FIG. 2 is a top plan view thereof;  
 FIG. 3 is a front elevational view thereof;  
 FIG. 4 is a left side elevational view thereof;  
 FIG. 5 is a right side elevational view thereof;  
 FIG. 6 is a rear elevational view thereof;  
 FIG. 7 is a bottom plan view thereof;  
 FIG. 8 is a top, front, and right side perspective view of a second embodiment of a dispenser for household good dispensed from rolls showing my new design;  
 FIG. 9 is a top plan view thereof;  
 FIG. 10 is a front elevational view thereof;  
 FIG. 11 is a left side elevational view thereof;  
 FIG. 12 is a right side elevational view thereof;  
 FIG. 13 is a rear elevational view thereof; and  
 FIG. 14 is a bottom plan view thereof.

**1 Claim, 8 Drawing Sheets**



*Fig. 1*

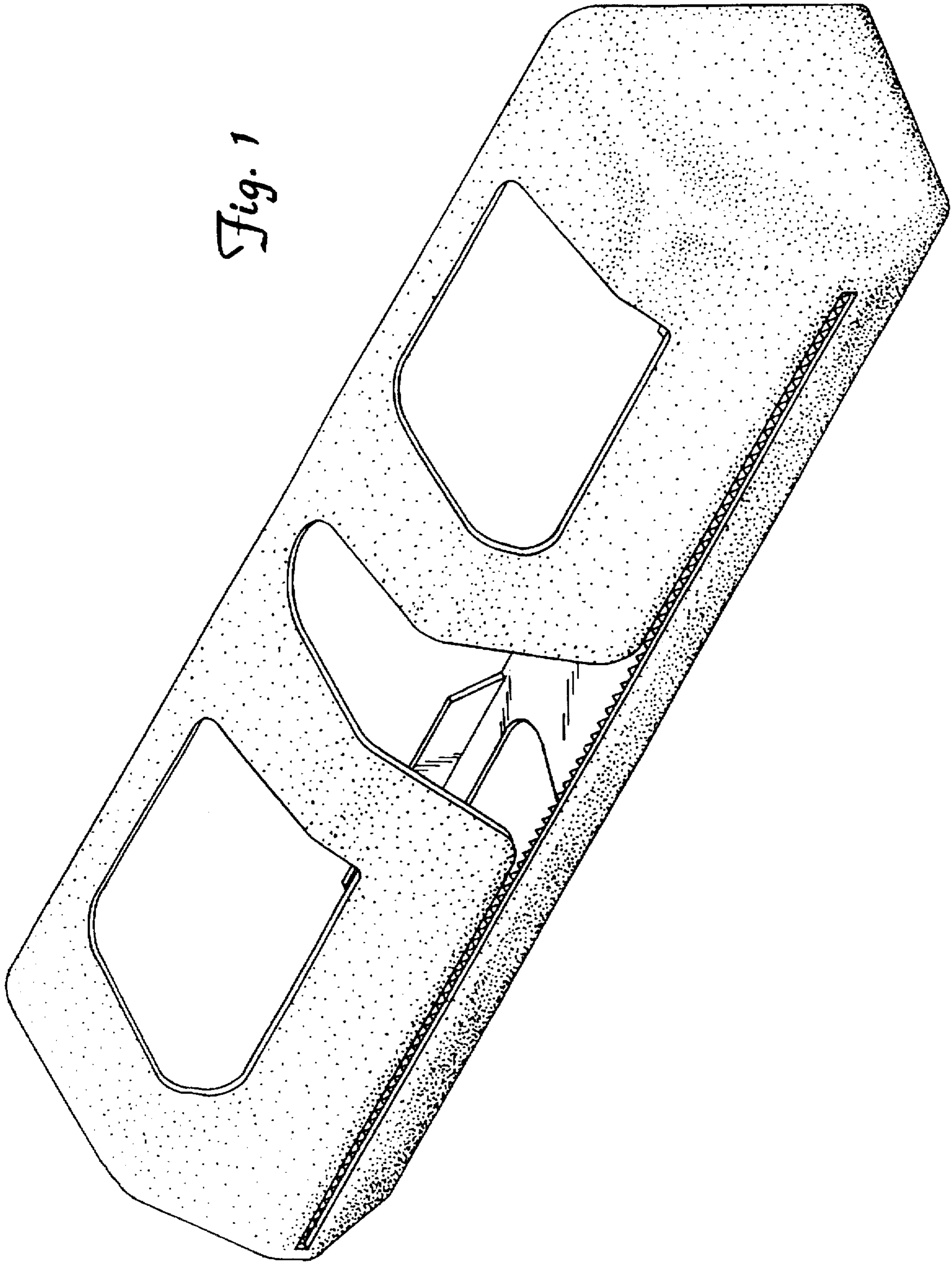


Fig. 2

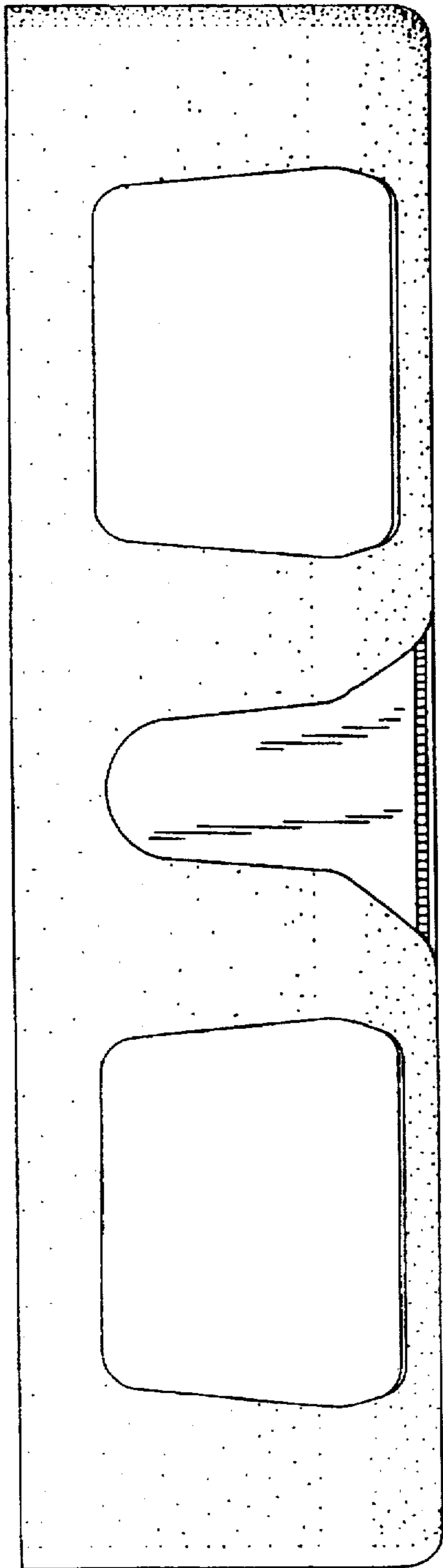
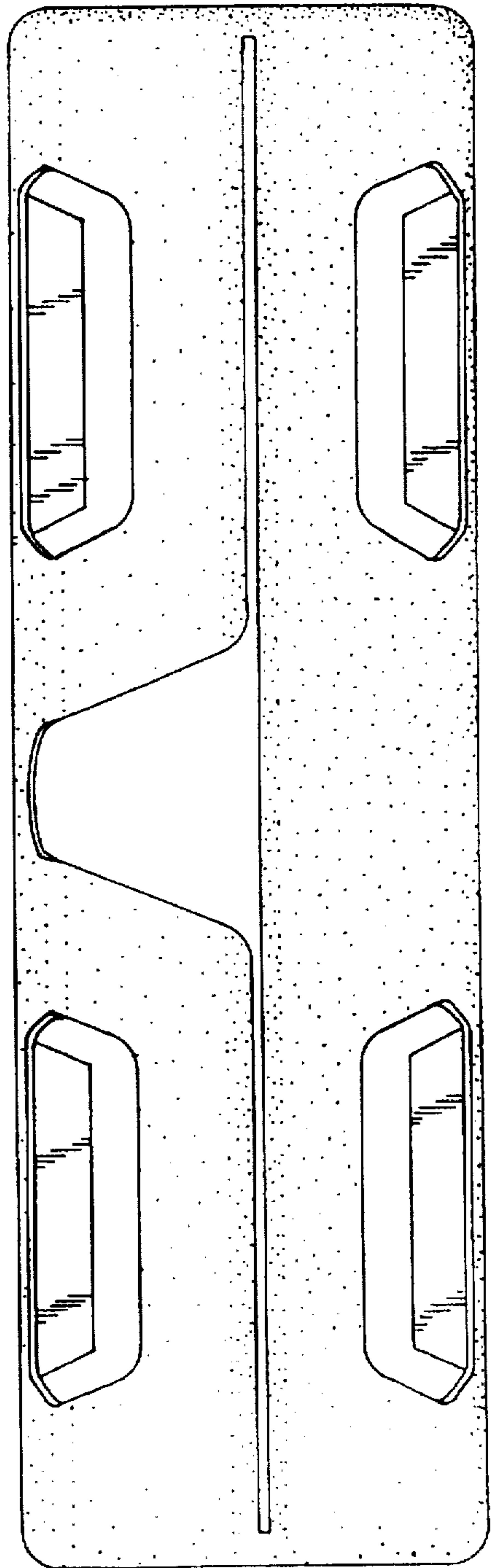
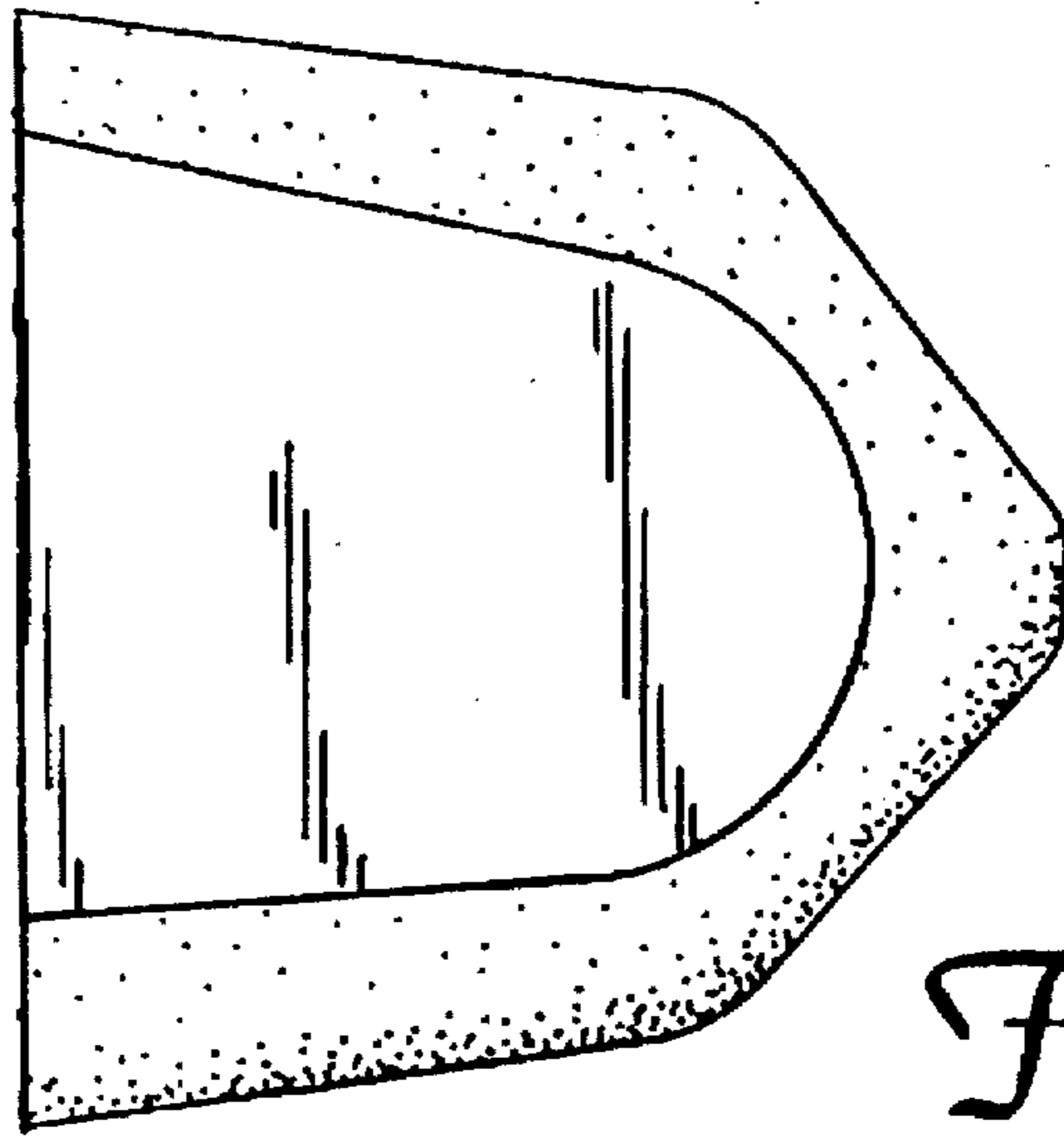
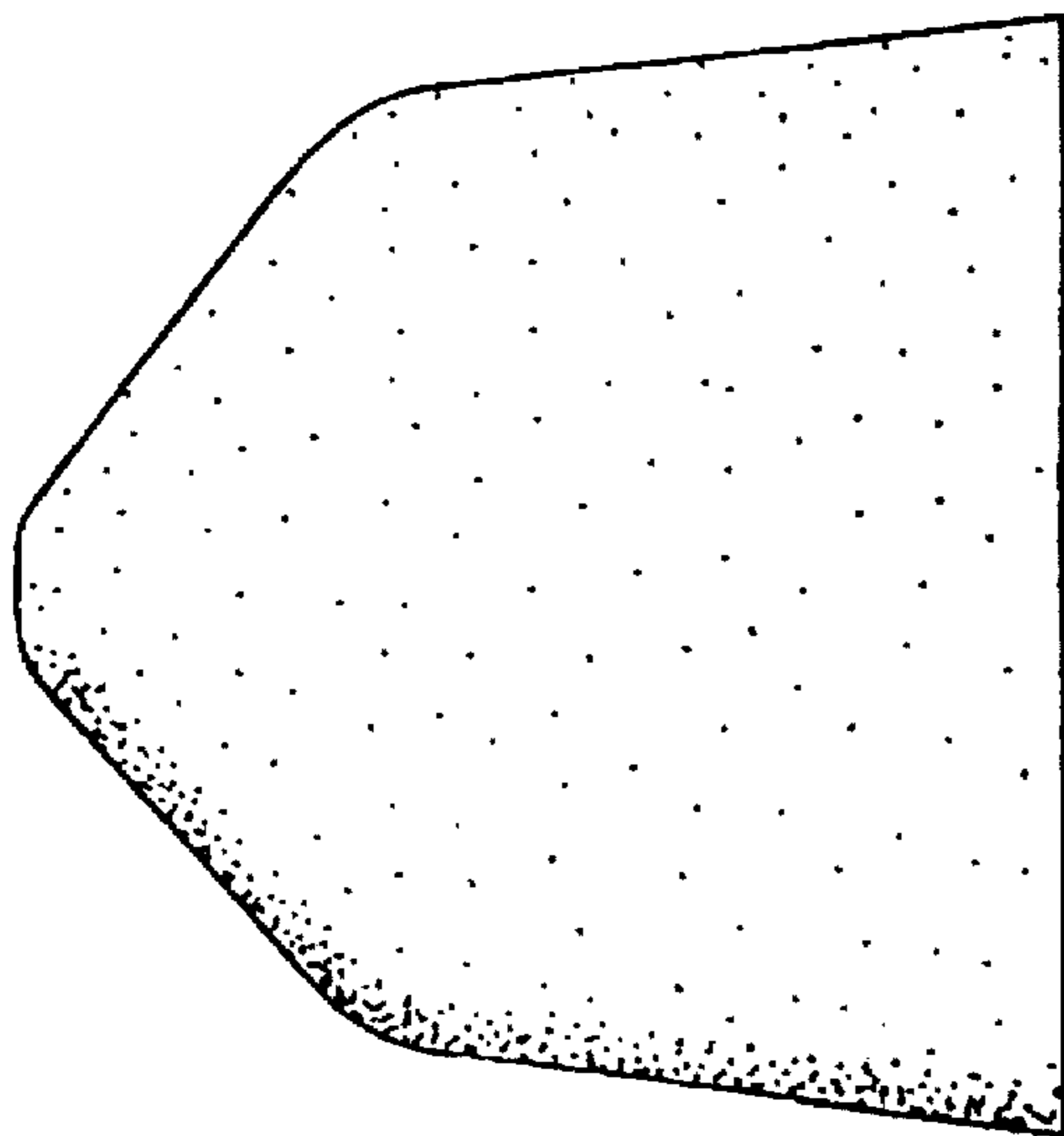


Fig. 3





*Fig. 4*



*Fig. 5*

Fig. 6

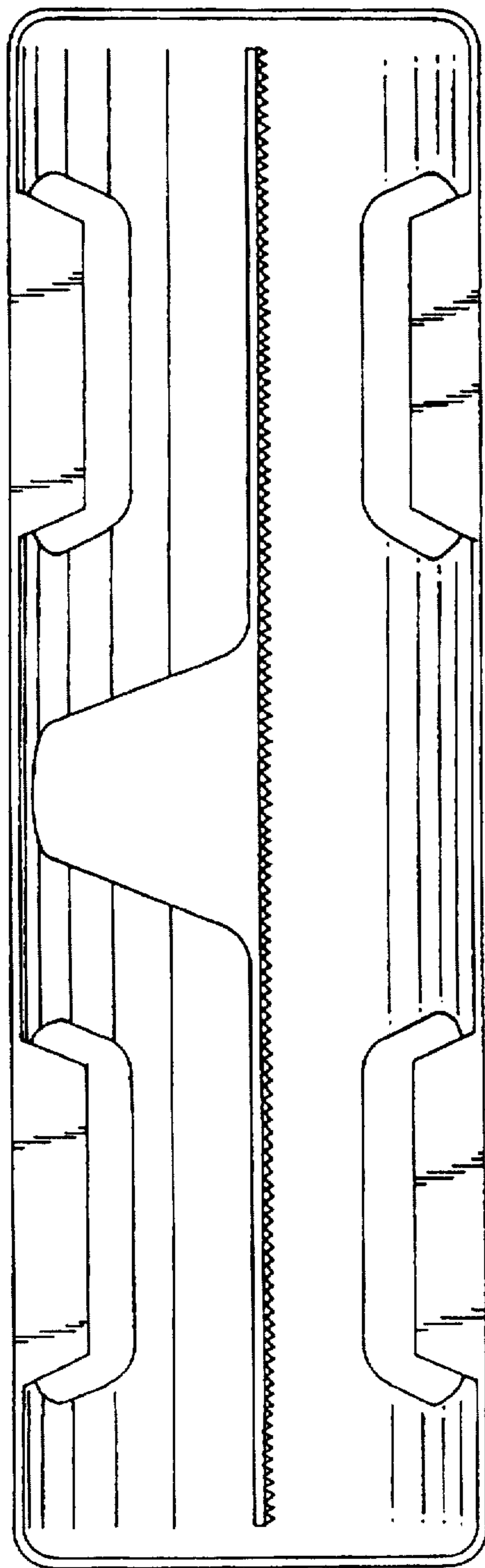


Fig. 7

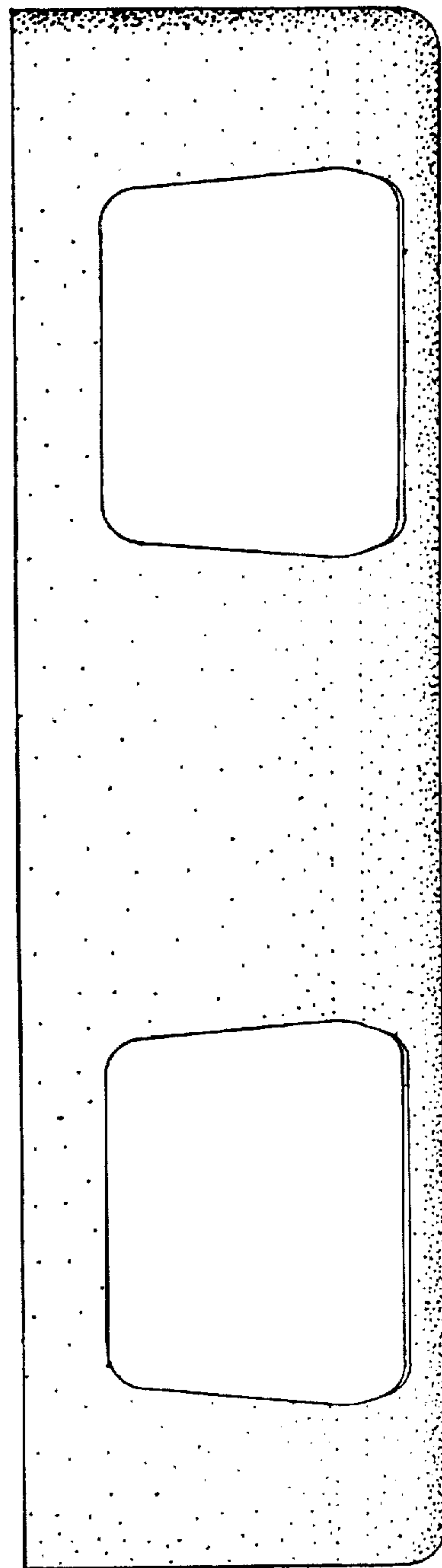


Fig. 8

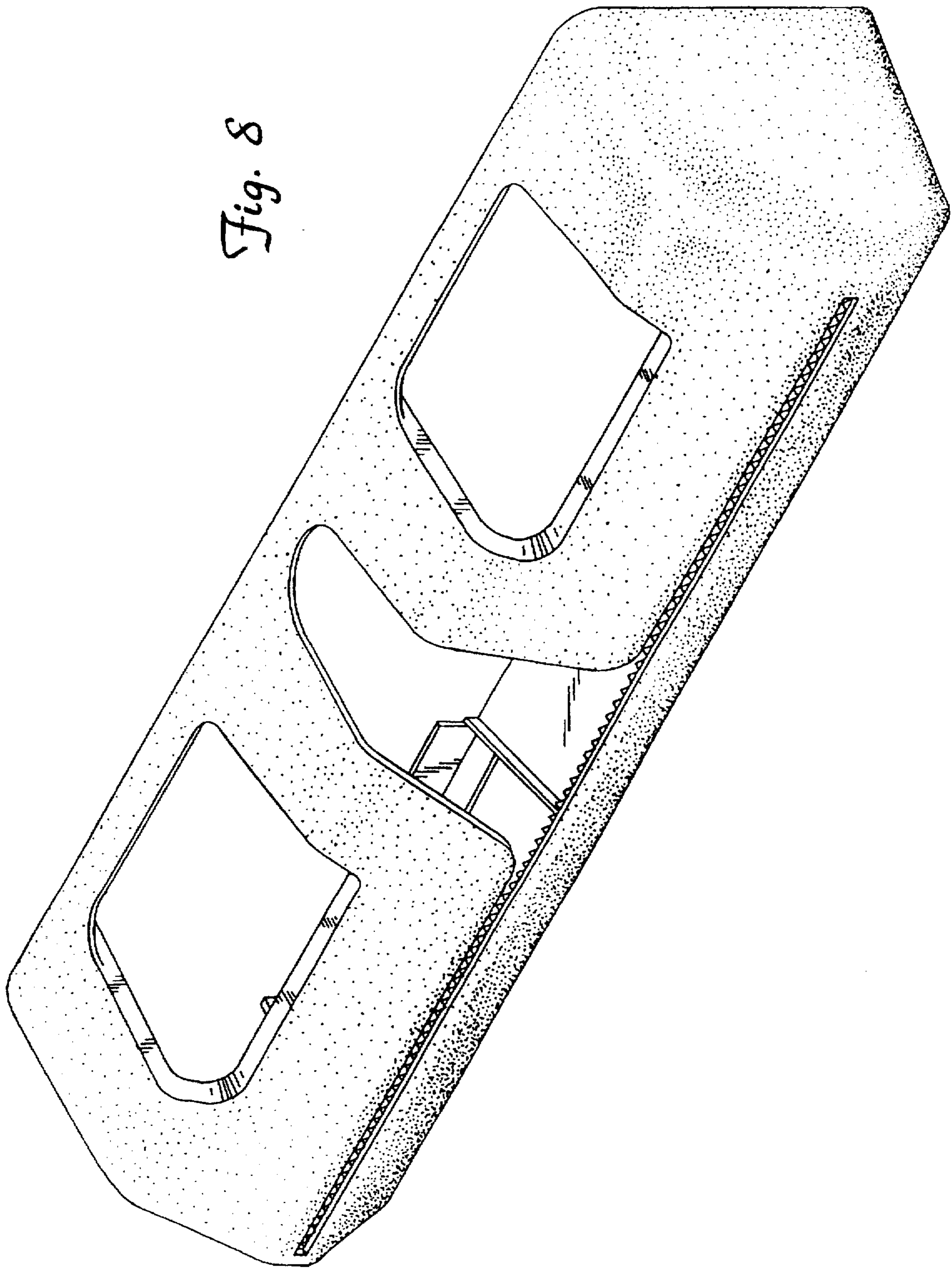


Fig. 9

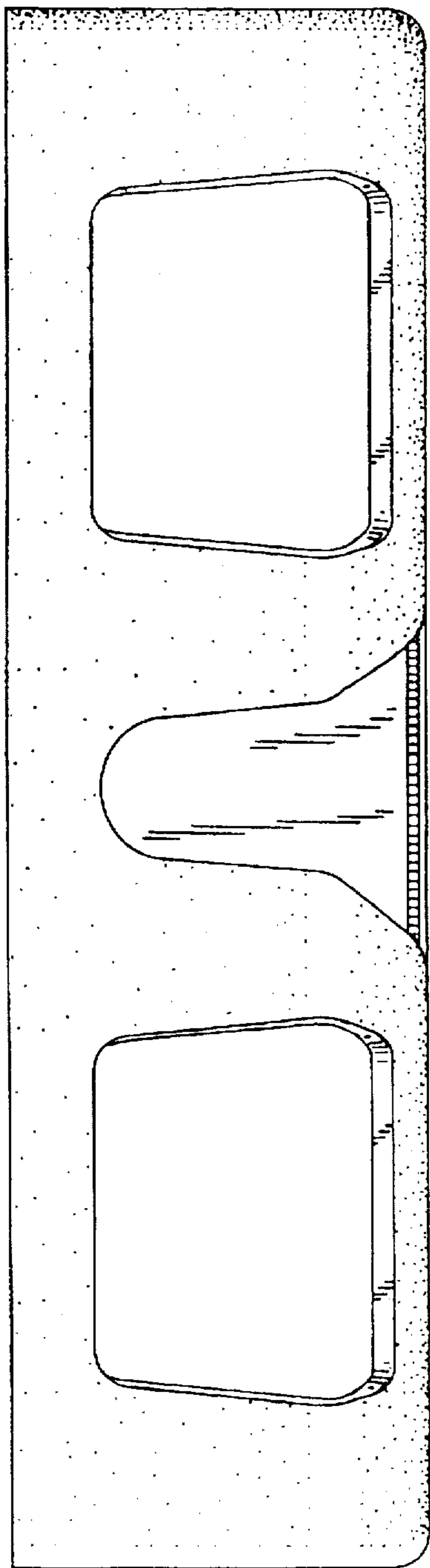
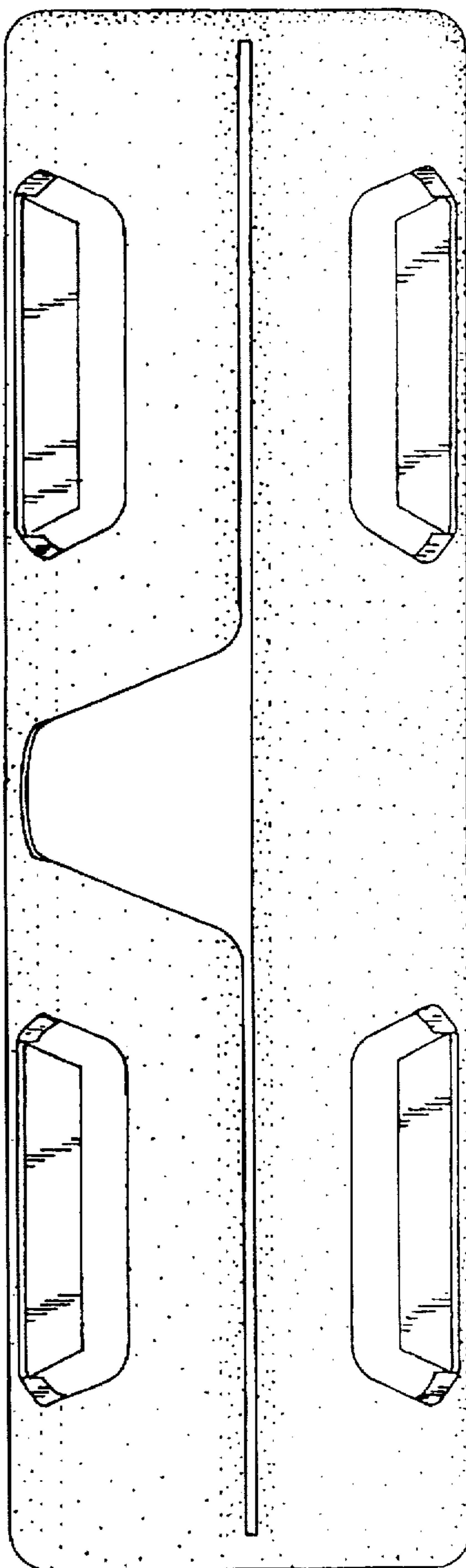
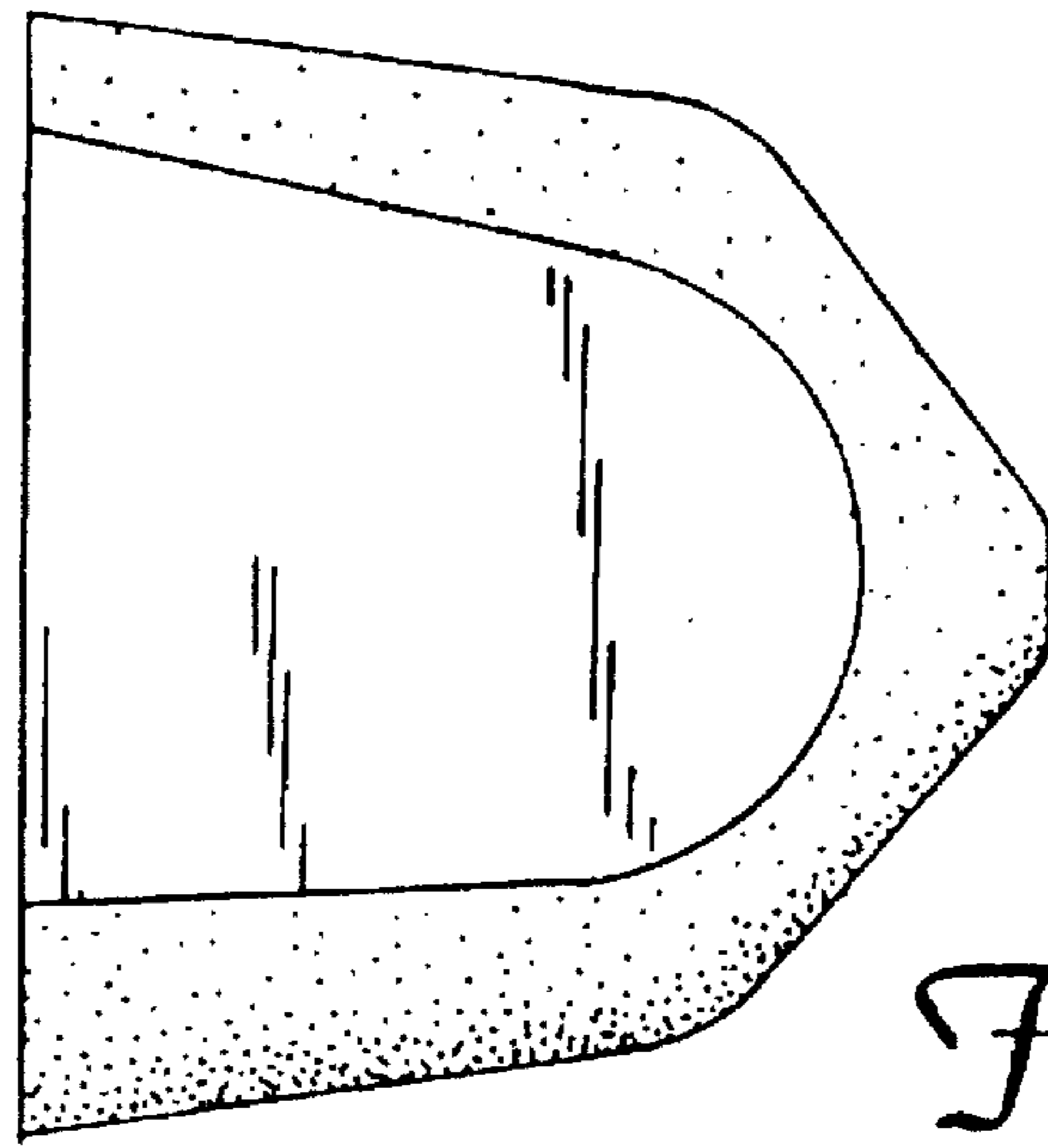
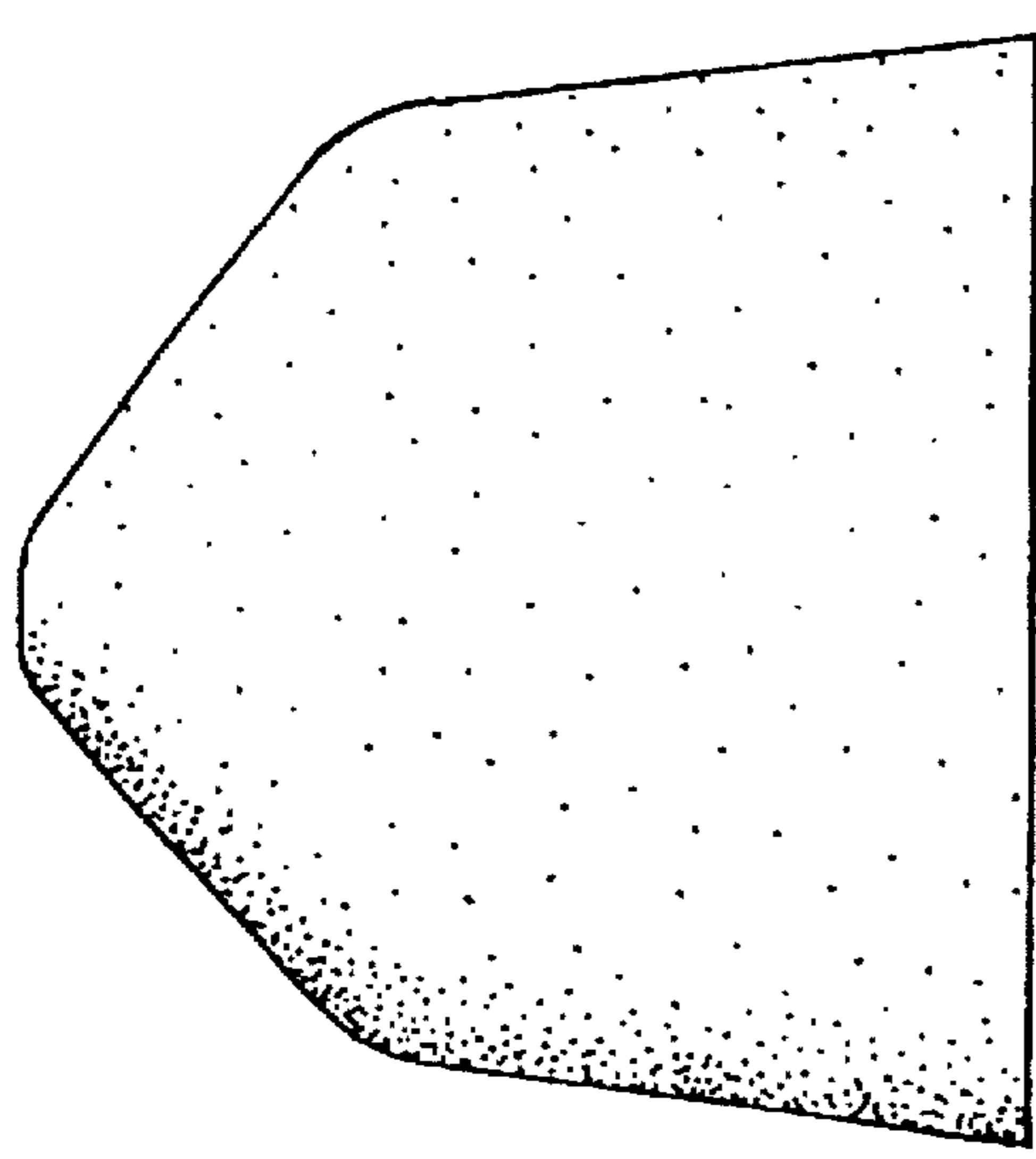


Fig. 10





*Fig. 11*



*Fig. 12*



Fig. 13

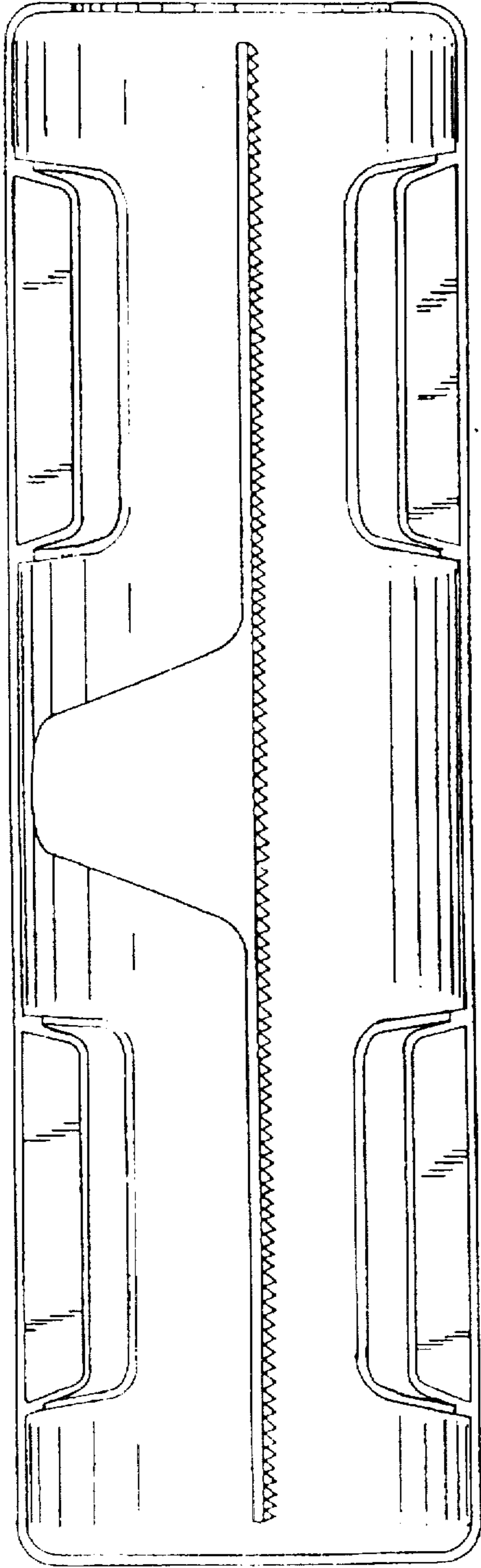


Fig. 14

