



US00D383931S

**United States Patent** [19]  
**Schultz et al.**

[11] **Patent Number: Des. 383,931**  
[45] **Date of Patent: \*\*Sep. 23, 1997**

[54] **CHAIR ARM**

[75] Inventors: **Craig H. Schultz**, Muscatine; **Leo E. Williams**, Wapello, both of Iowa

[73] Assignee: **Hon Industries Inc.**, Muscatine, Iowa

[\*\*] Term: **14 Years**

[21] Appl. No.: **51,519**

[22] Filed: **Mar. 12, 1996**

[51] LOC (6) CL ..... **06-06**

[52] U.S. Cl. .... **D6/501**

[58] Field of Search ..... D6/334, 365, 366,  
D6/379, 500, 501, 502; 297/411.2

[56] **References Cited**

**U.S. PATENT DOCUMENTS**

D. 249,302	9/1978	Ruf .....	D6/366
D. 254,640	4/1980	Deck et al. ....	D6/366
D. 270,311	8/1983	Ochsner .....	D6/366
D. 270,316	8/1983	Ochsner .....	D6/379
D. 270,874	10/1983	Ochsner .....	D6/366
D. 288,387	2/1987	Ochsner .....	D6/366
D. 312,176	11/1990	Heidmann .....	D6/379 X
D. 328,980	9/1992	Buchacz .....	D6/366

**OTHER PUBLICATIONS**

Jacobs Gardner, 1988, p. 33A, chair at top right.  
Fixtures Furniture, p. 49, chair shown.

*Primary Examiner*—Gary D. Watson  
*Attorney, Agent, or Firm*—Jones, Day, Reavis & Pogue

[57] **CLAIM**

The ornamental design for a chair arm, as shown and described.

**DESCRIPTION**

FIG. 1 is a right front perspective view of a chair arm showing our new design;

FIG. 2 is a top plan view thereof;

FIG. 3 is a right side elevational view thereof;

FIG. 4 is a front view thereof;

FIG. 5 is a rear view thereof;

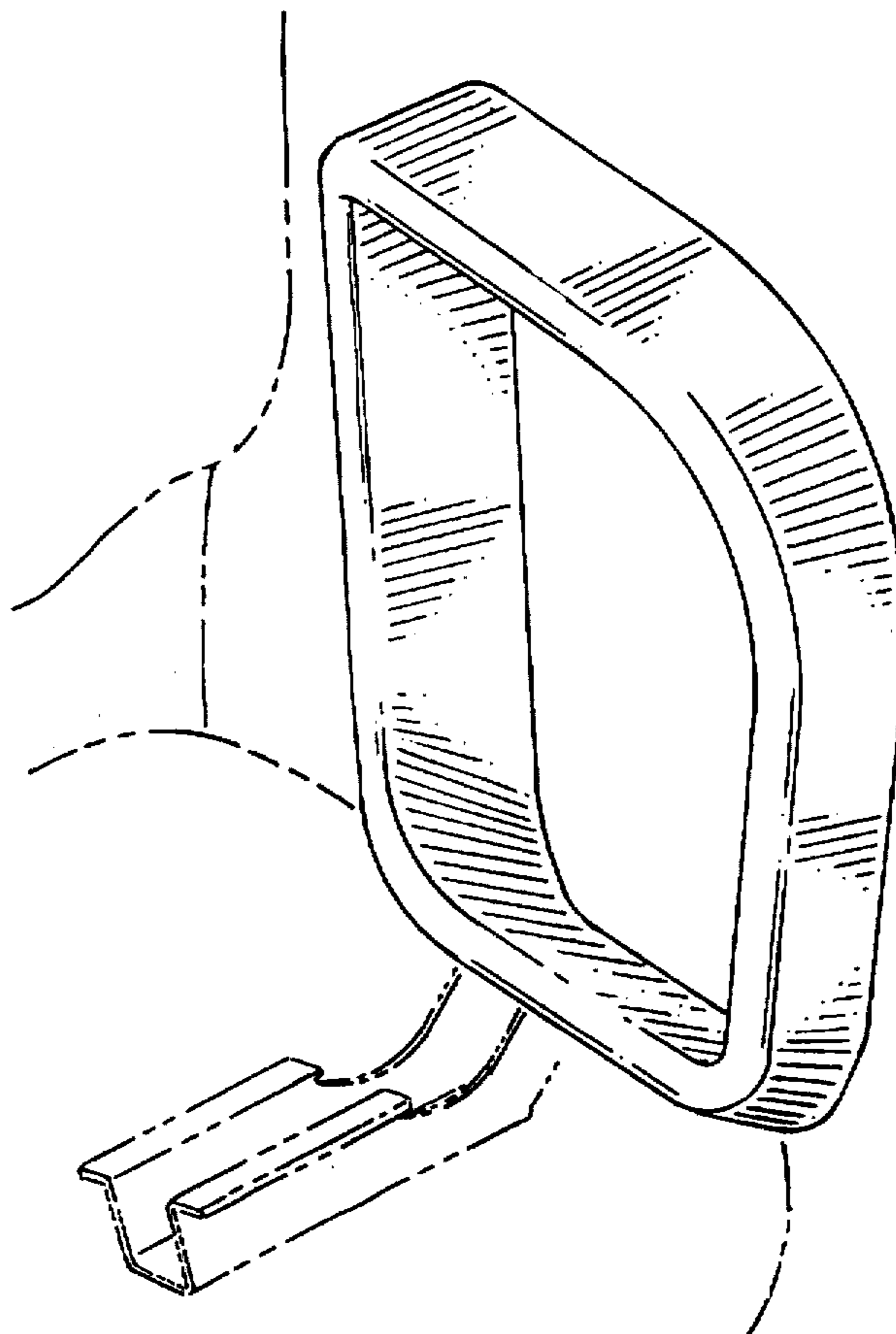
FIG. 6 is a left side elevational view thereof;

FIG. 7 is a bottom plan view thereof; and,

FIG. 8 is a left front perspective view of a second embodiment of the chair arm, the other views being the mirror images of FIGS. 2-7.

The broken lines are for environmental purposes only and form no part of the design.

**1 Claim, 2 Drawing Sheets**



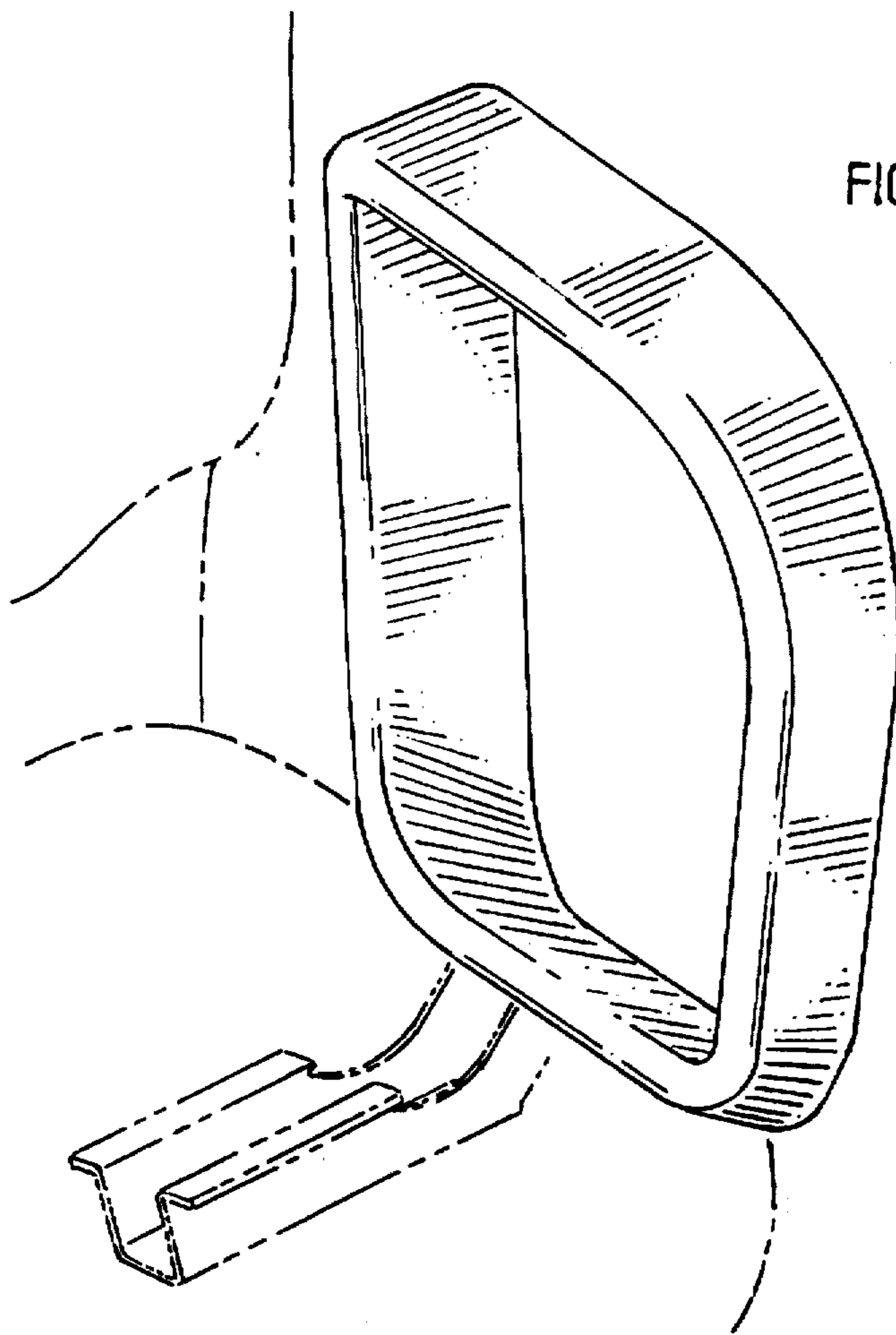


FIG. 1

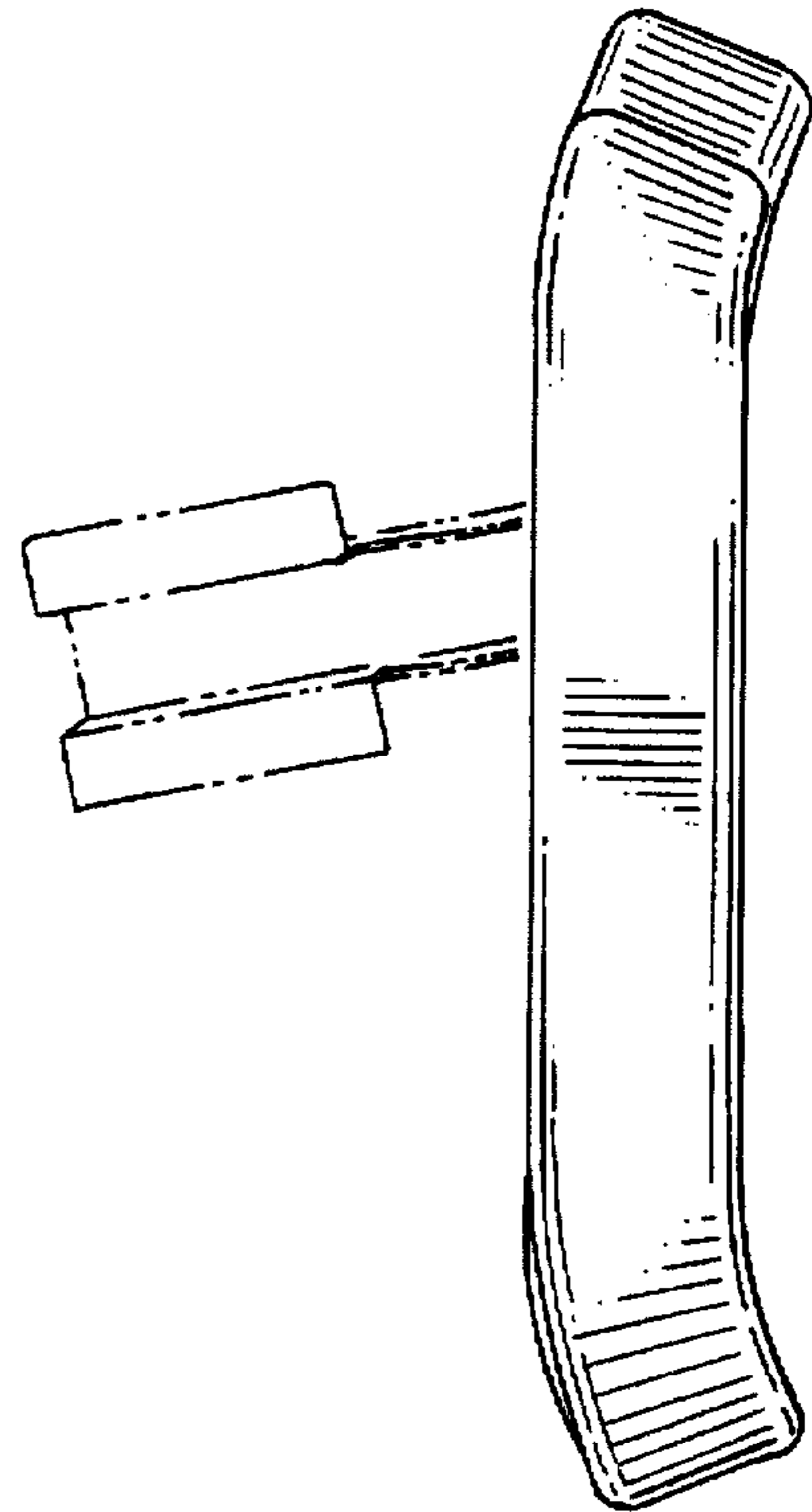


FIG. 2

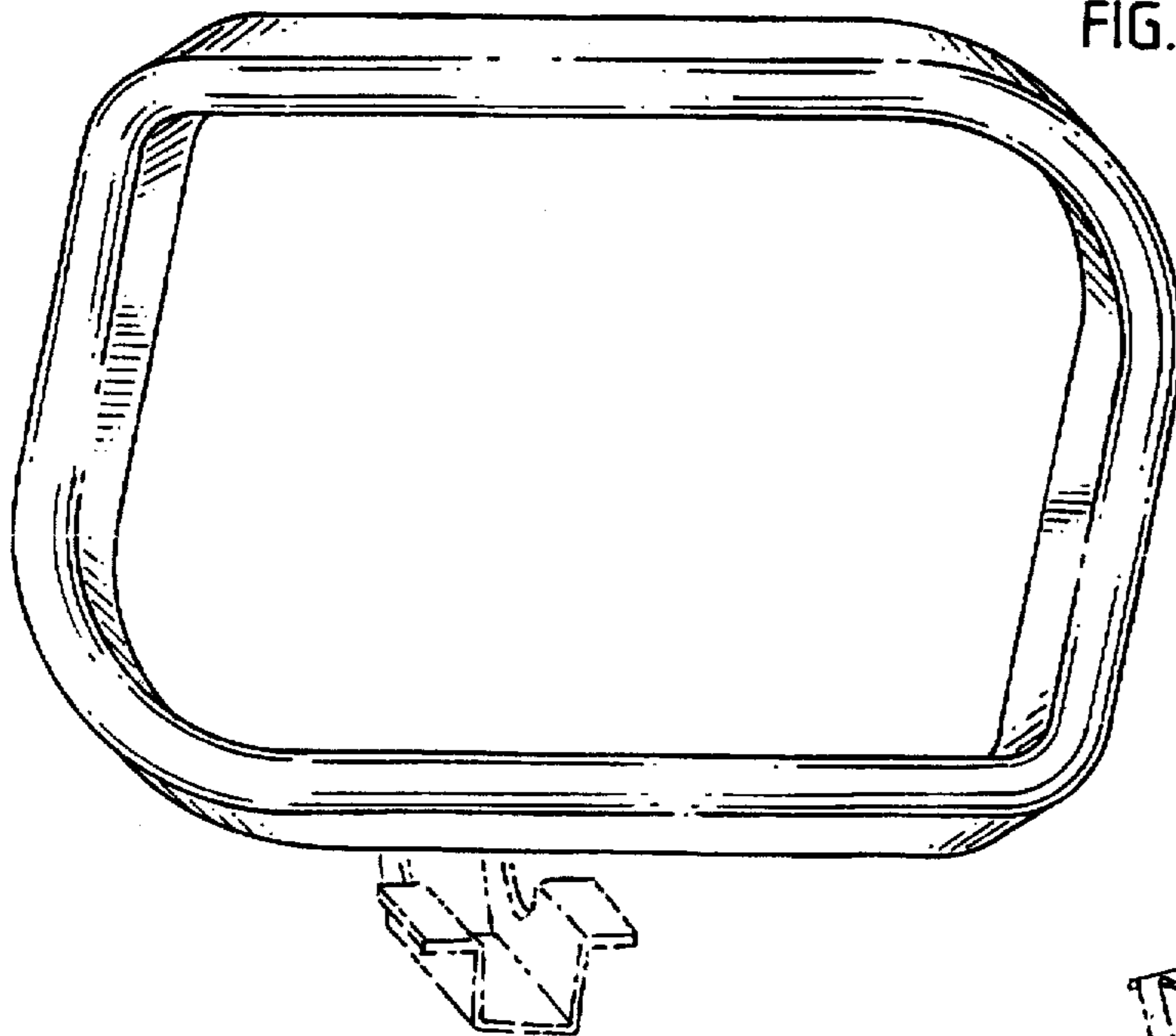


FIG. 3

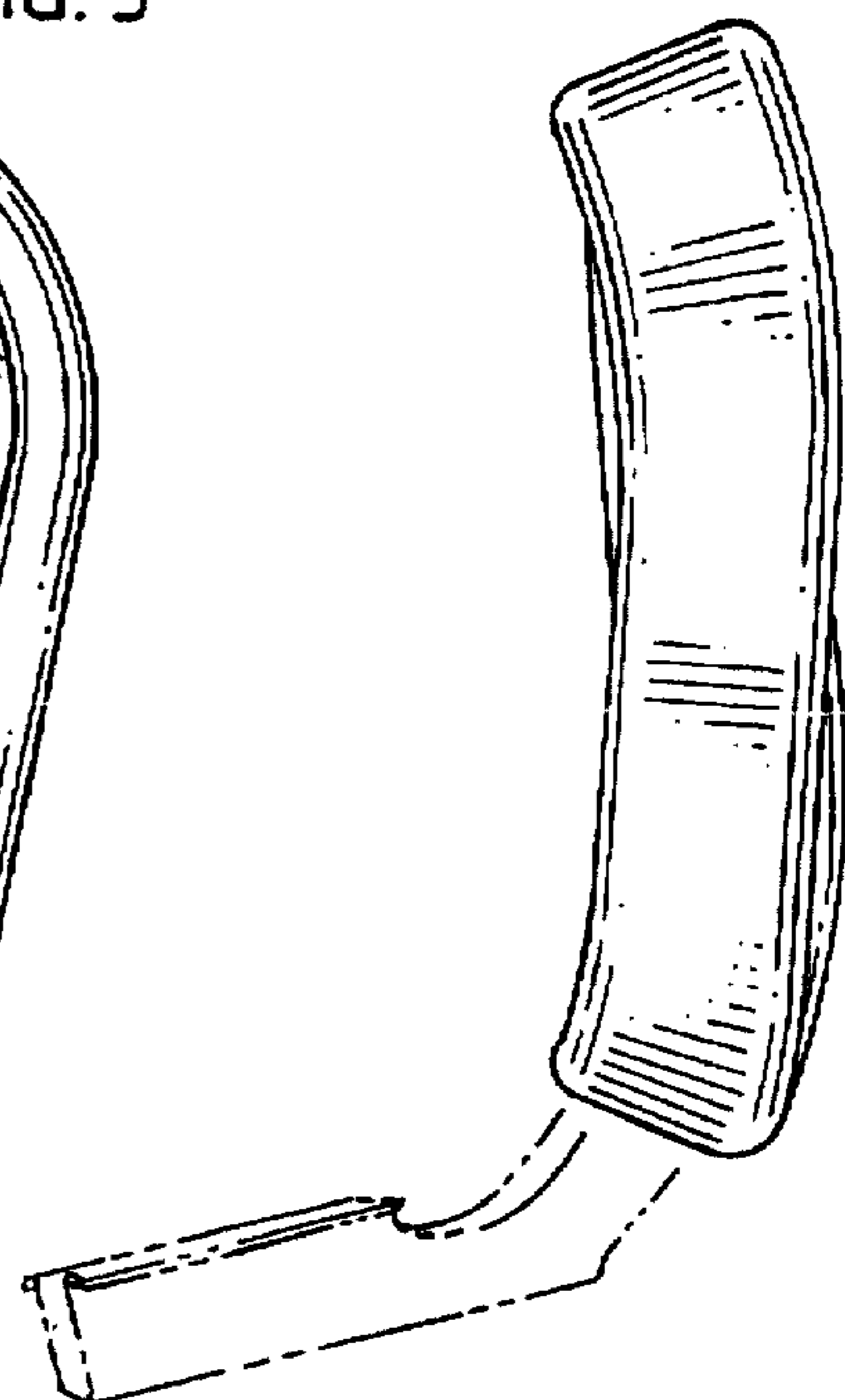


FIG. 4

