



US00D383930S

# United States Patent [19]

[11] Patent Number: **Des. 383,930**

Perry

[45] Date of Patent: **\*\*Sep. 23, 1997**

[54] **ADJUSTABLE PADDED ARM REST**

2,600,556	6/1952	Malm	5/93.1
3,113,326	12/1963	Hyde et al.	297/219.1
3,610,685	10/1971	Lay	297/231
4,588,224	5/1986	Hill, Jr.	297/219

[76] Inventor: **Mary O. Perry**, 144 Santee Dr., Panama City, Fla. 32404

[\*\*] Term: **14 Years**

*Primary Examiner*—Martie Thompson  
*Attorney, Agent, or Firm*—George A. Bode

[21] Appl. No.: **40,432**

[57] **CLAIM**

[22] Filed: **Jun. 19, 1995**

The ornamental design for an adjustable padded arm rest, as shown and described.

### Related U.S. Application Data

### DESCRIPTION

[63] Continuation-in-part of Ser. No. 29,078, Sep. 29, 1994, Pat. No. Des. 369,929, and a continuation-in-part of Ser. No. 334,047, Nov. 4, 1994, abandoned.

FIG. 1 is a top, front and right side perspective view of an adjustable padded arm rest showing my new design; FIG. 2 is a bottom, rear and right side perspective view thereof; FIG. 3 is a bottom, front and left side perspective view thereof, illustrating the device in its "open" condition to allow insertion of foam padding into the sack, the broken lines showing of the padding in the sack is for illustrative purposes only and forms no part of the claimed design; and, FIG. 4 is a top and right side perspective view thereof, illustrating my new design in its operable position, the broken lines showing of a wheelchair is for illustrative purposes only and forms no part of the claimed design.

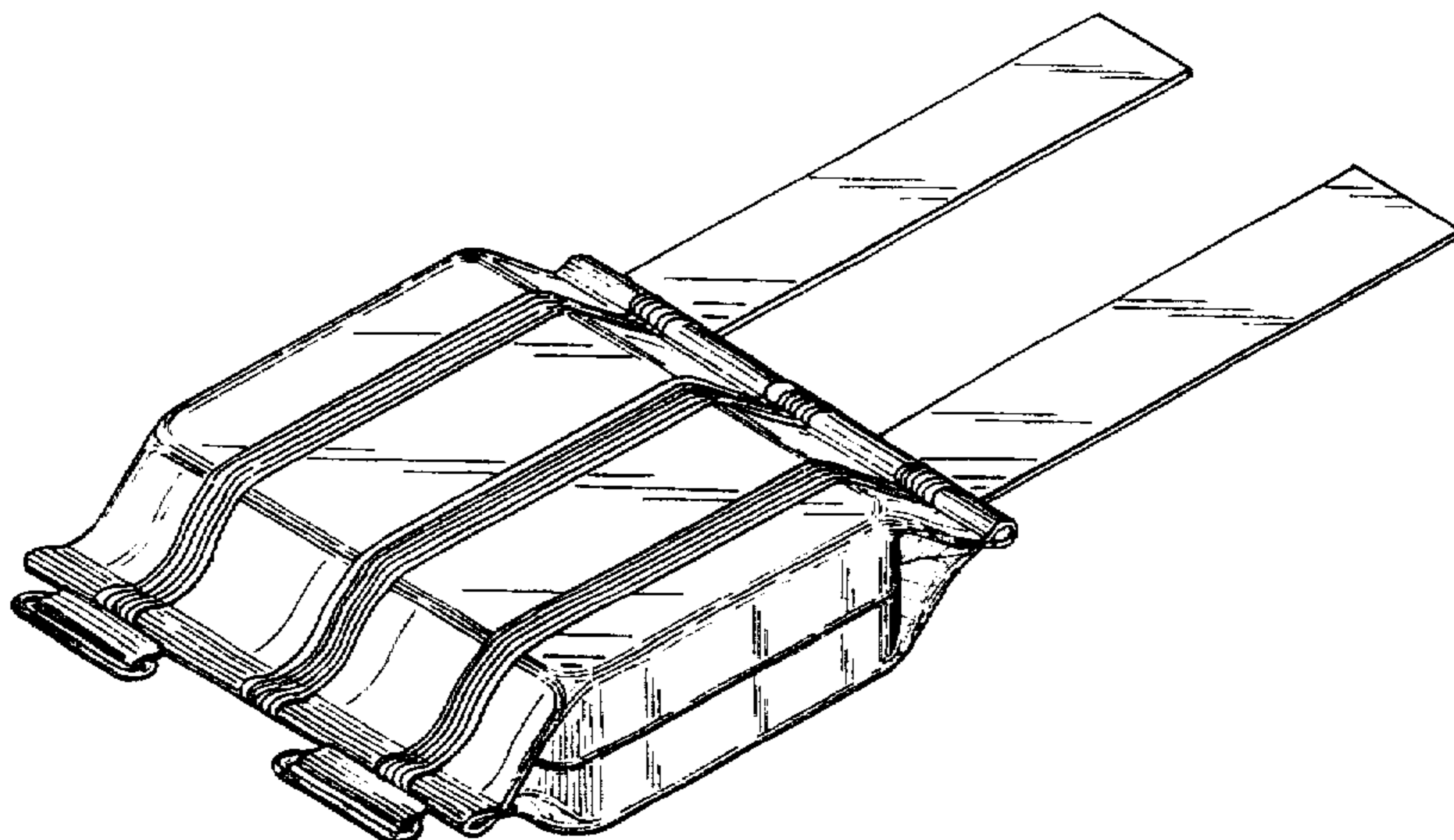
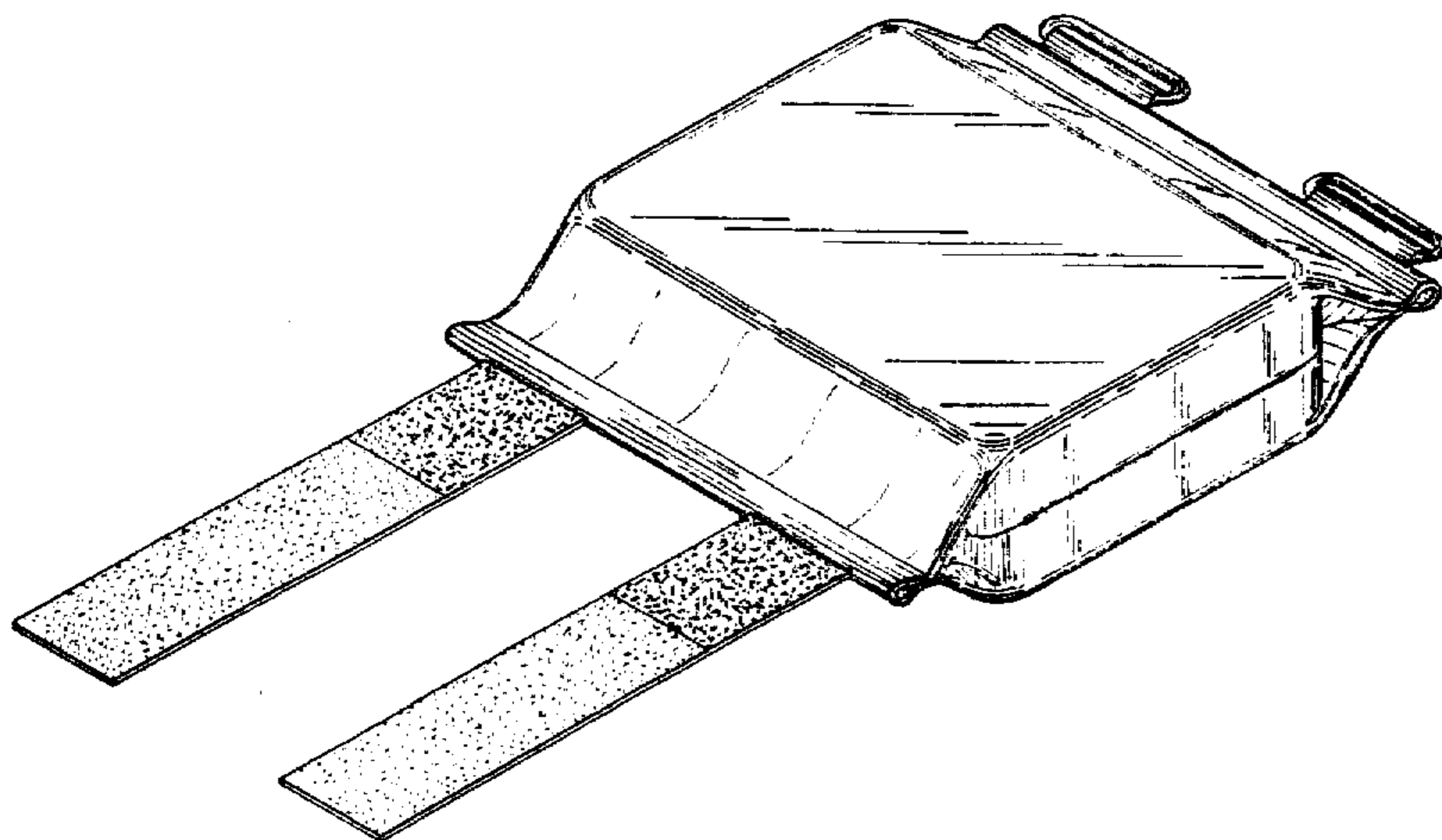
[51] LOC (6) Cl. .... **06-09**  
 [52] U.S. Cl. .... **D6/501**  
 [58] Field of Search ..... D6/501, 492, 595, D6/606, 500, 502; 297/219, 231, 219.1, 220, 227, 411.21, 411.23, DIG. 6, 397, 411.46, 482; 5/93.1, 424, 663, 640; 248/345.1

### [56] References Cited

#### U.S. PATENT DOCUMENTS

D. 350,866	9/1994	Miller et al.	D6/501
D. 369,929	5/1996	Perry	D6/501

**1 Claim, 3 Drawing Sheets**



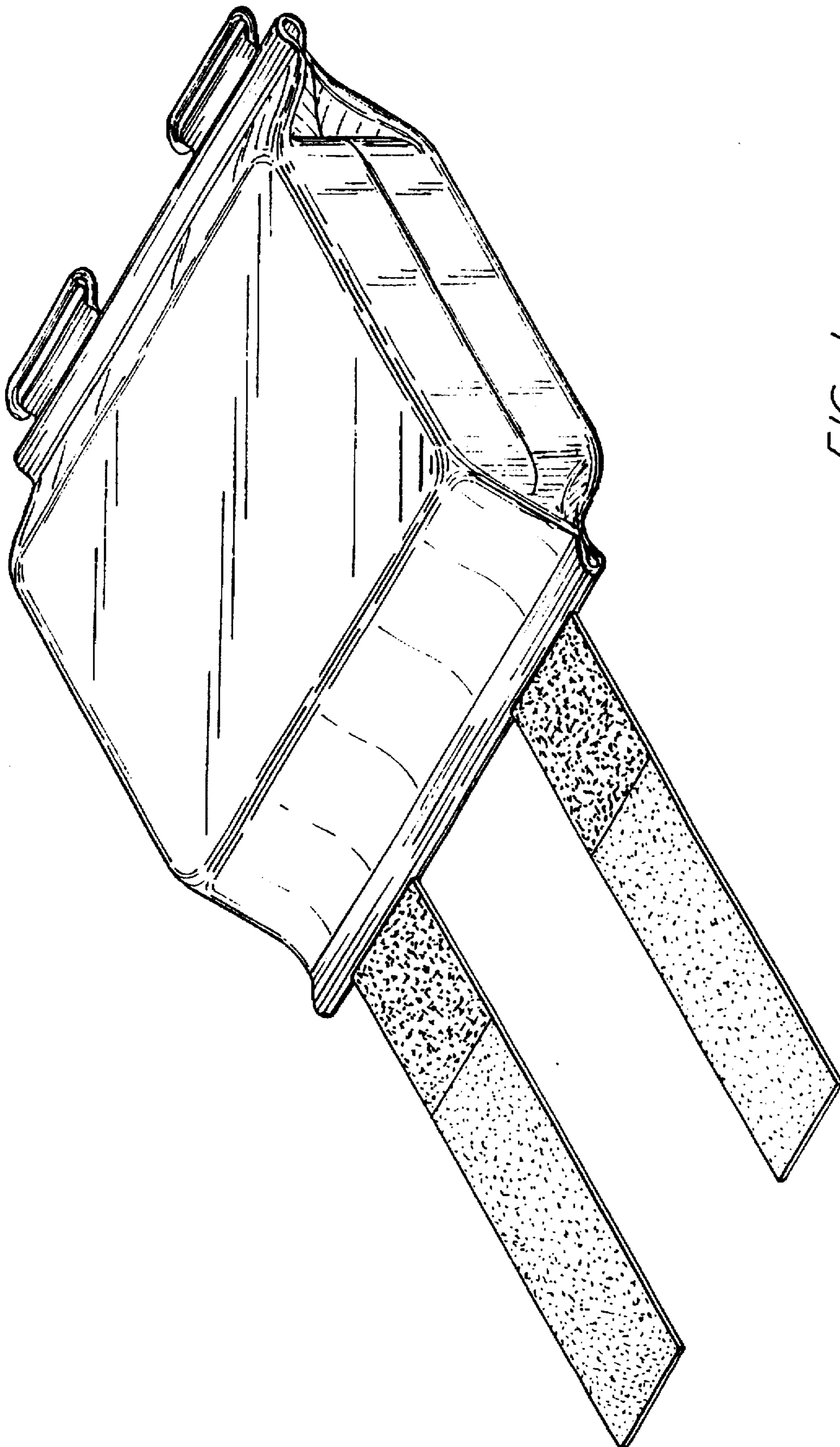


FIG. 1



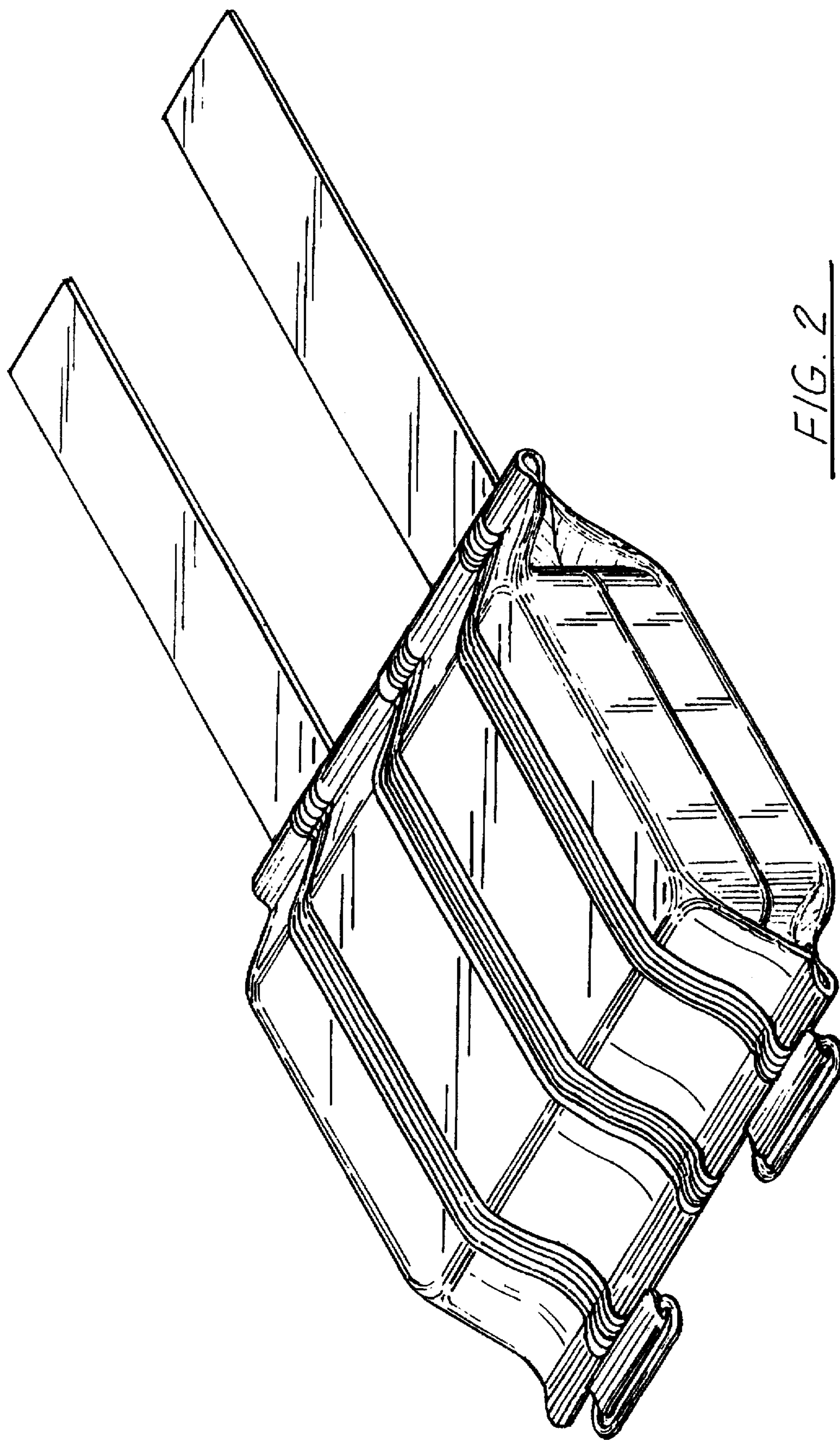


FIG. 2

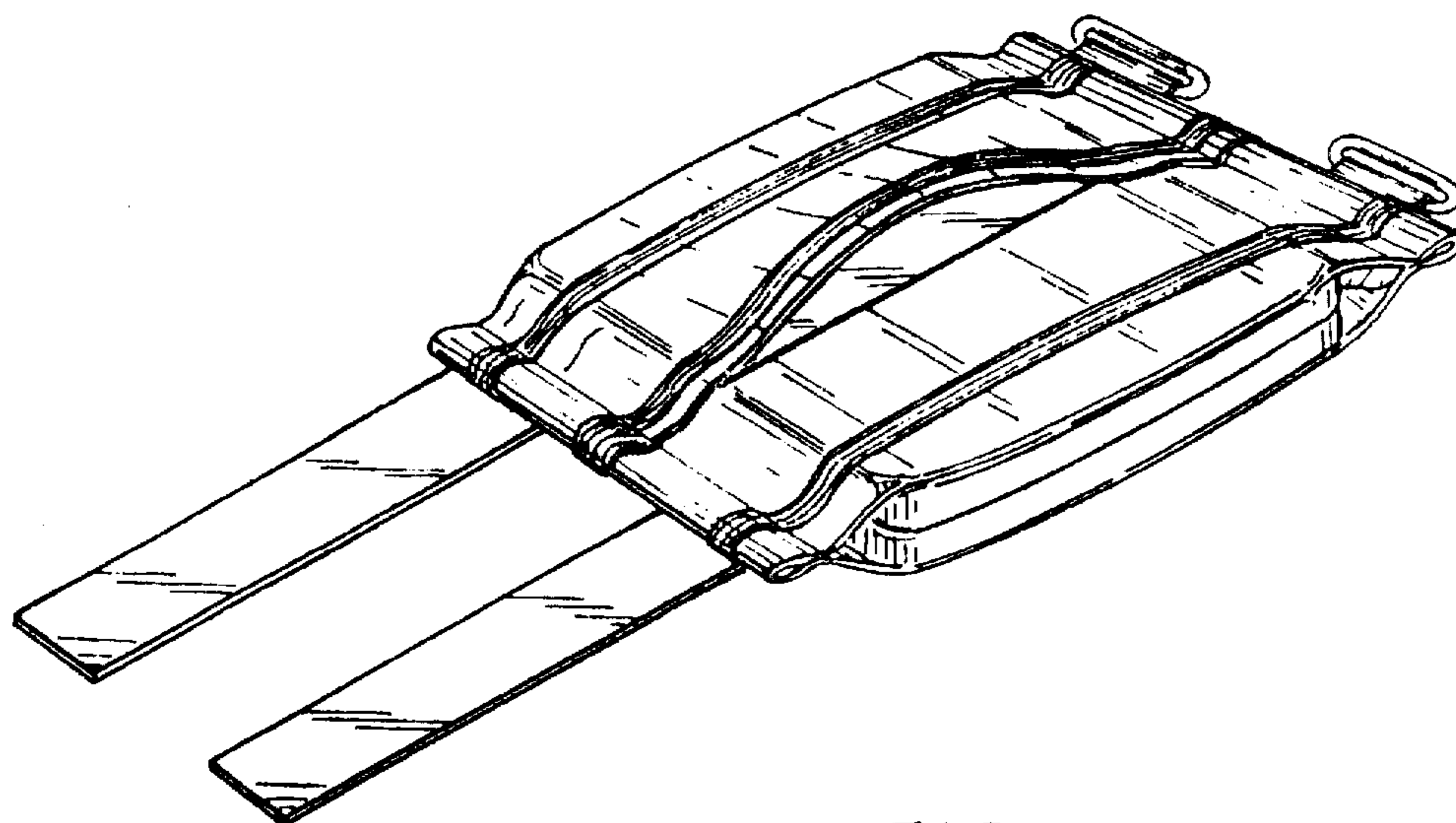


FIG. 3

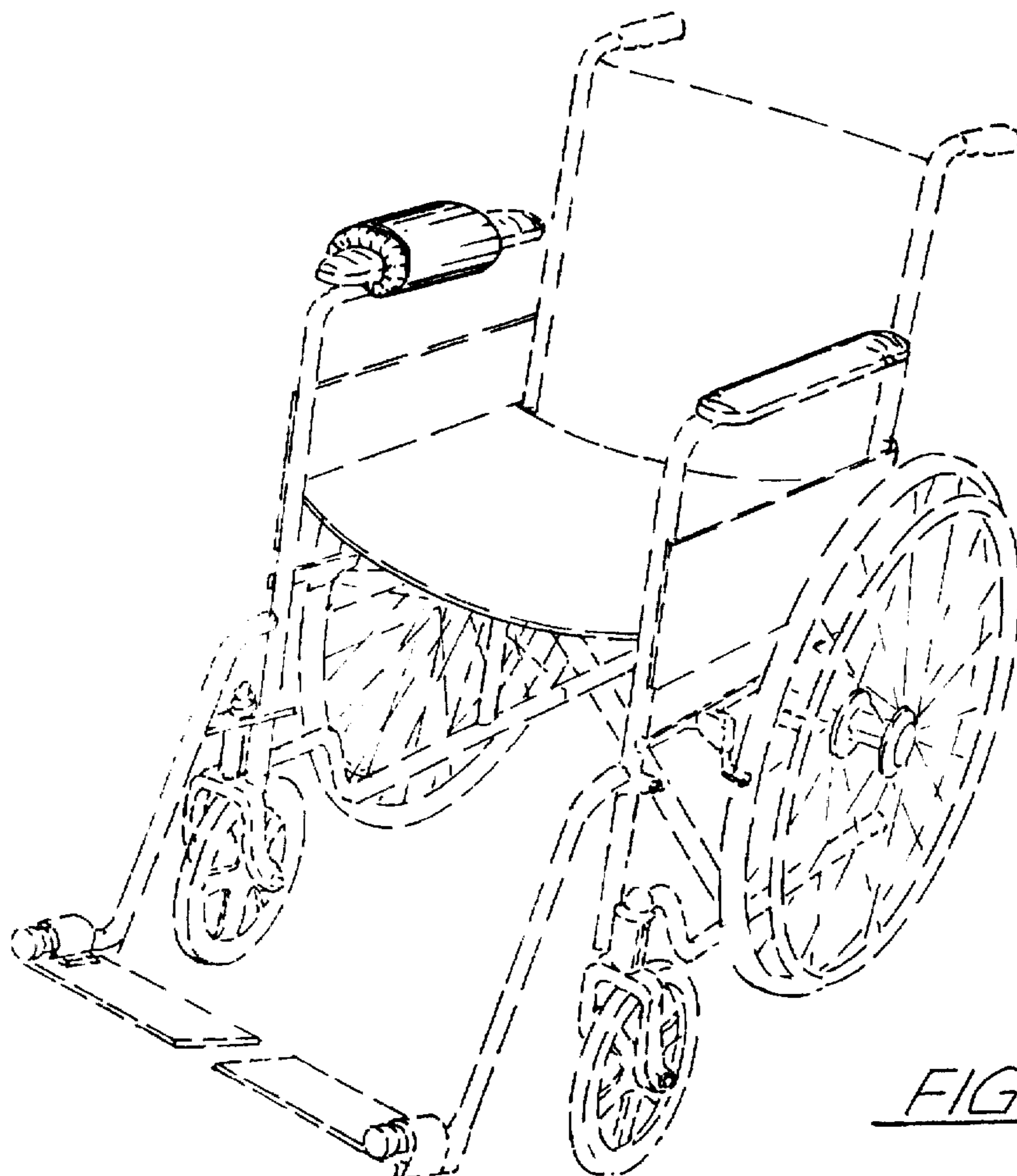


FIG. 4