



US00D383923S

# United States Patent [19]

Muller-Deisig et al.

[11] Patent Number: **Des. 383,923**

[45] Date of Patent: **\*\*Sep. 23, 1997**

[54] **WORK STATION**

[75] Inventors: **Wolfgang Muller-Deisig**, Berlin, Germany; **Alexander Henricus Antonius Maria Dankers**, Berkel-Enshot, Netherlands

[73] Assignee: **Assenburg, B.V.**, Ea Tilburg, Netherlands

[\*\*] Term: **14 Years**

[21] Appl. No.: **37,649**

[22] Filed: **Apr. 18, 1995**

[30] **Foreign Application Priority Data**

Oct. 19, 1994 [BX] Benelux TM/Des. Off. .... 70186-01/11

[51] LOC (6) Cl. .... **06-03**

[52] U.S. Cl. .... **D6/474; D6/426; D6/427**

[58] Field of Search .... **D6/449, 455, 474, D6/396, 479, 478, 477, 422-428; 211/153, 169; 108/59, 80, 92, 150**

[56] **References Cited**

**U.S. PATENT DOCUMENTS**

D. 109,389 4/1938 Beyrle ..... D6/474

D. 222,276	10/1971	Hughes, Jr.	.....	108/92	X
2,143,592	1/1939	Baldeck	.....	D6/474	X
3,358,621	12/1967	Szacsko	.....	108/92	
3,543,699	12/1970	Leikarts	.....	108/59	

*Primary Examiner*—Caron D. Veynar  
*Attorney, Agent, or Firm*—Ladas & Parry

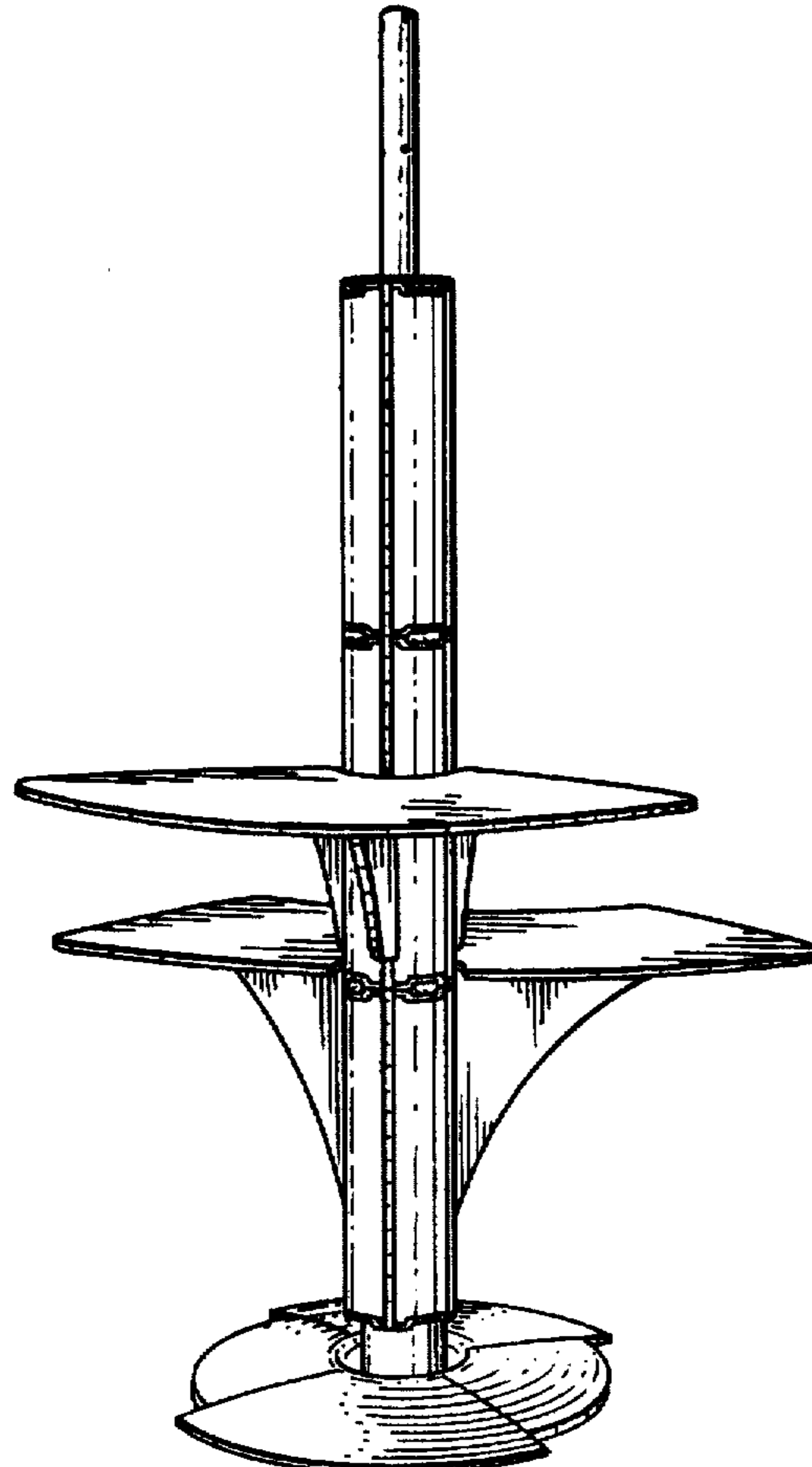
[57] **CLAIM**

The ornamental design for a work station, as shown and described.

**DESCRIPTION**

FIG. 1 is a front perspective view showing our design;  
FIG. 2 is a front view thereof;  
FIG. 3 is a side view thereof, the opposite side view being a mirror image thereof;  
FIG. 4 is a rear view thereof;  
FIG. 5 is a top view thereof; and,  
FIG. 6 is a bottom view thereof.

**1 Claim, 3 Drawing Sheets**



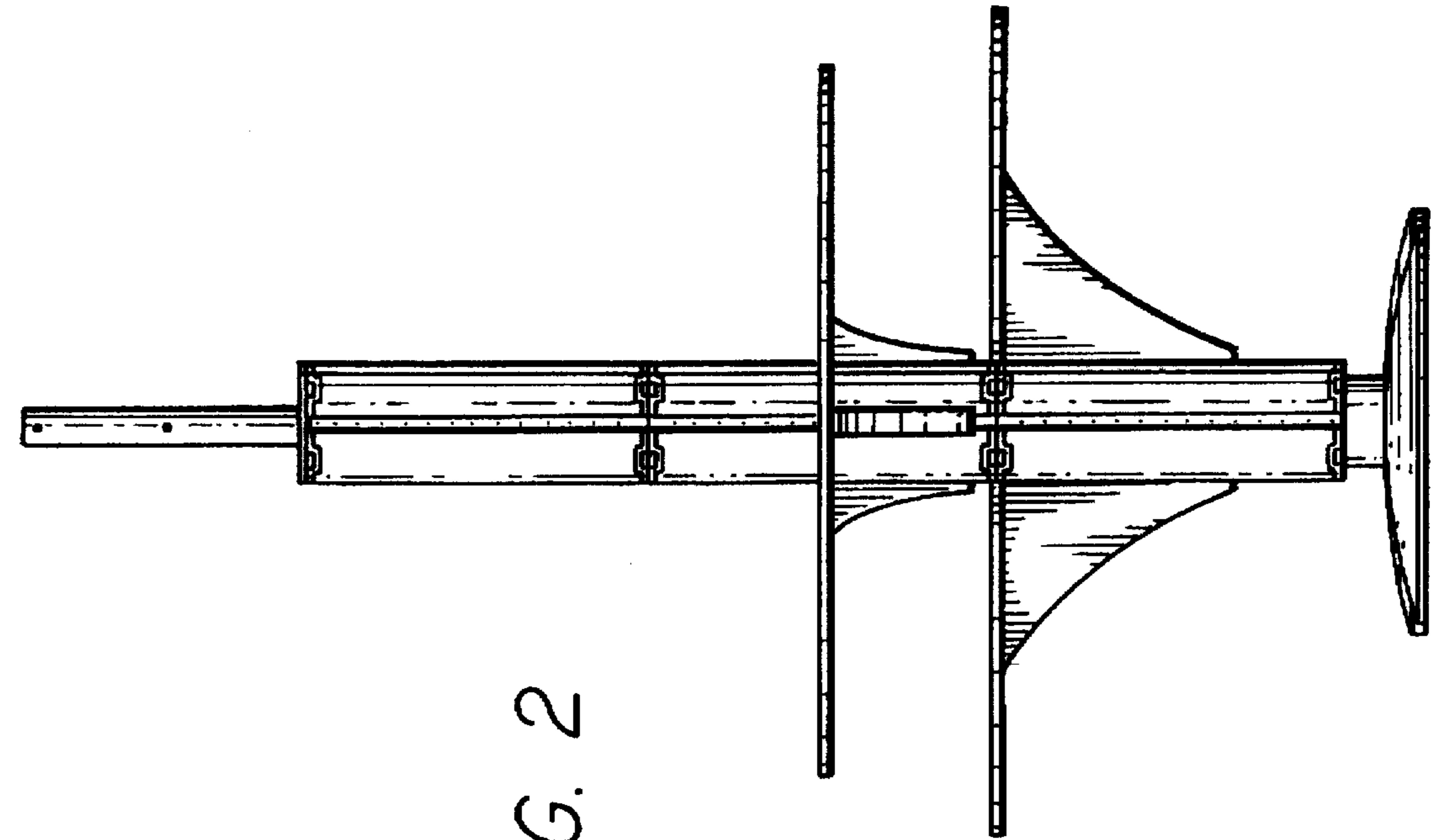


FIG. 2

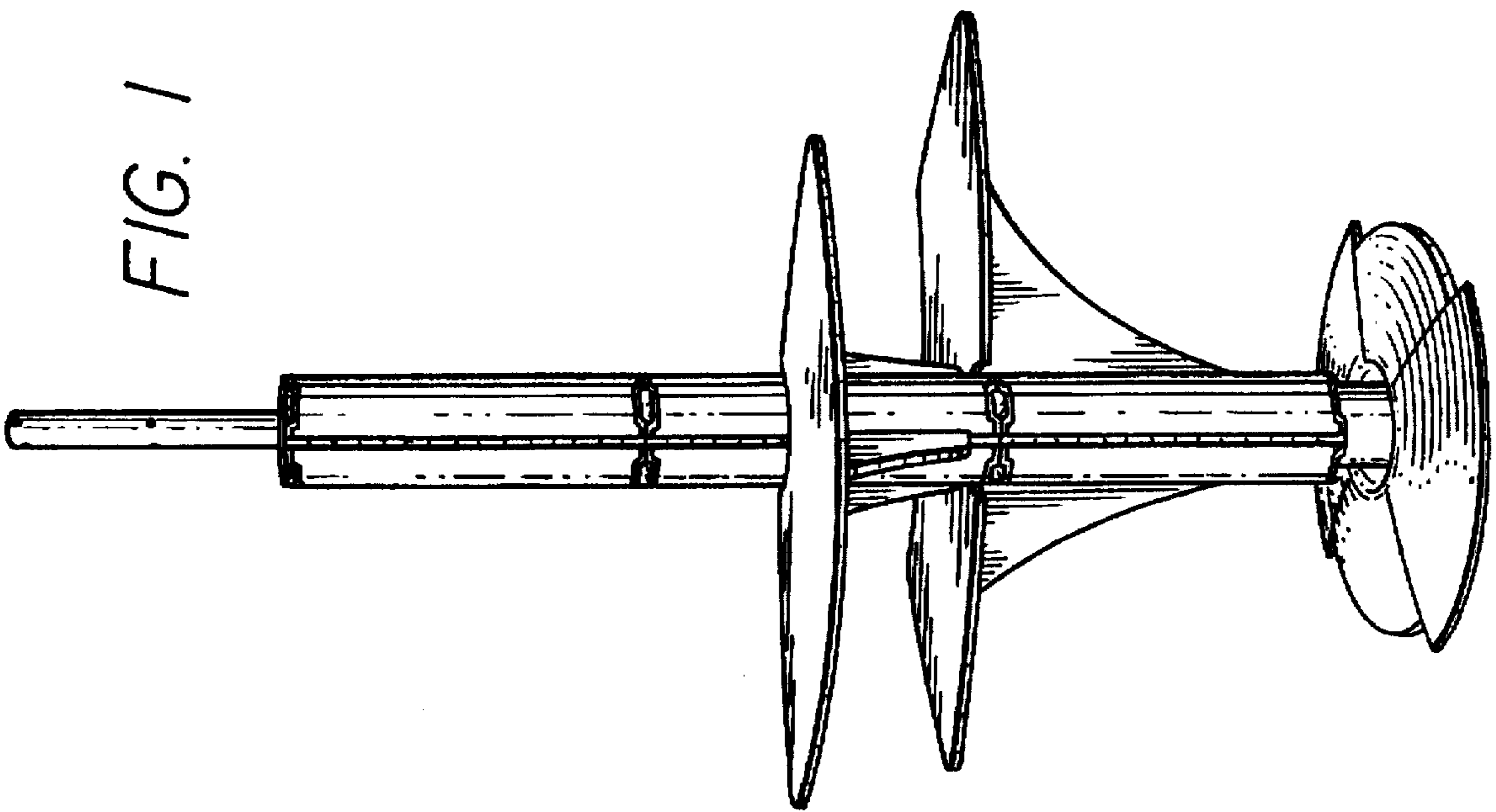


FIG. 1

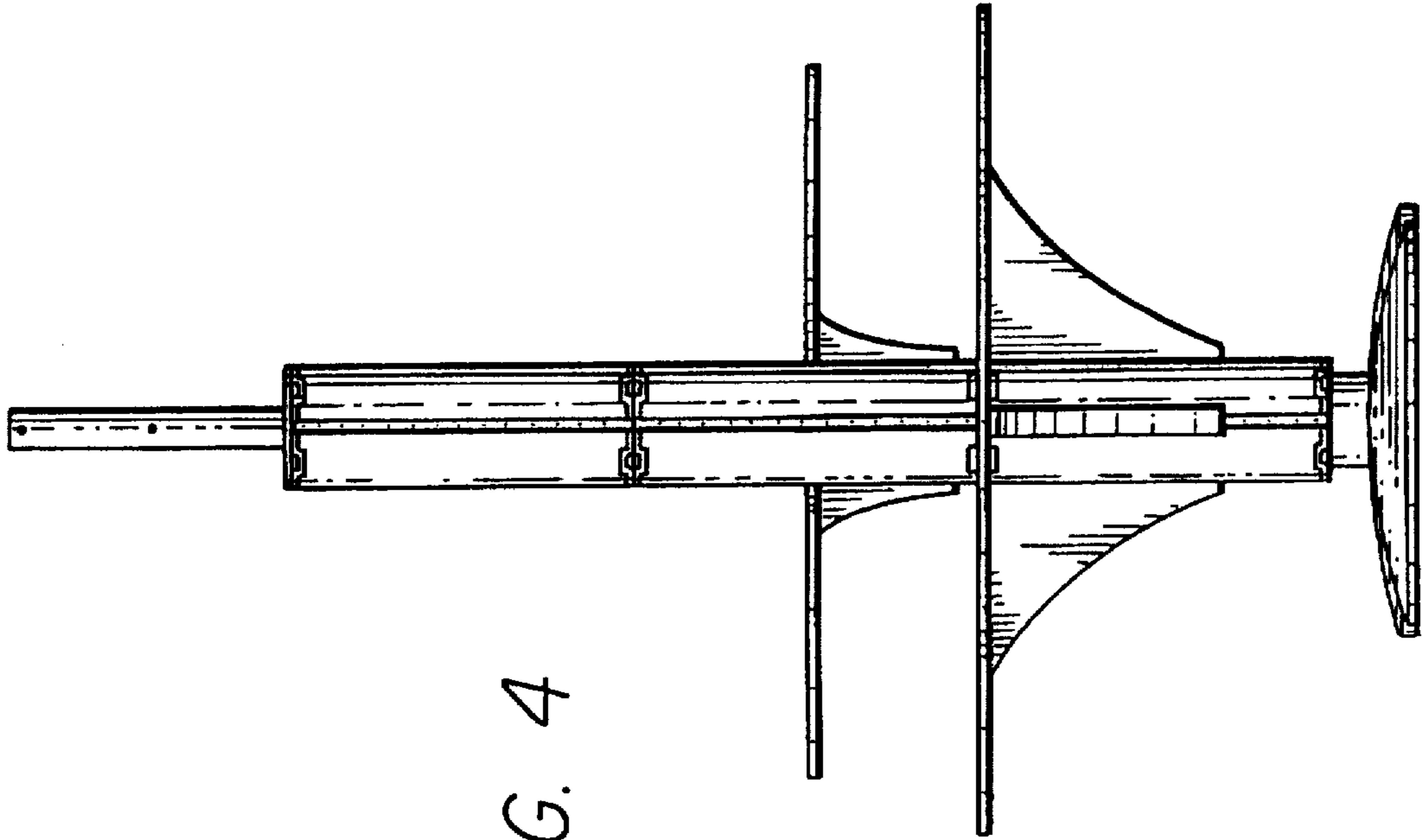


FIG. 4

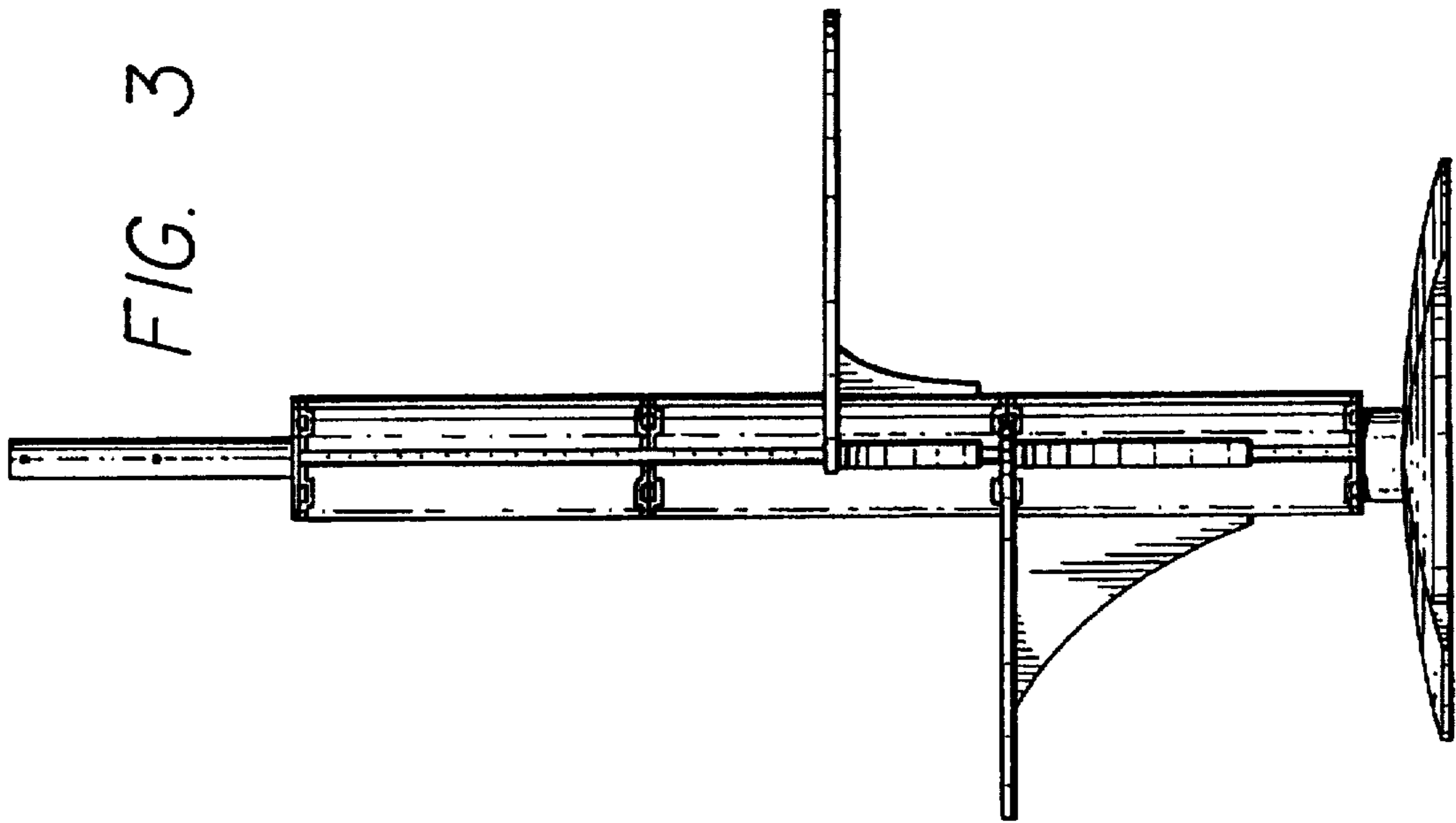


FIG. 3

FIG. 6

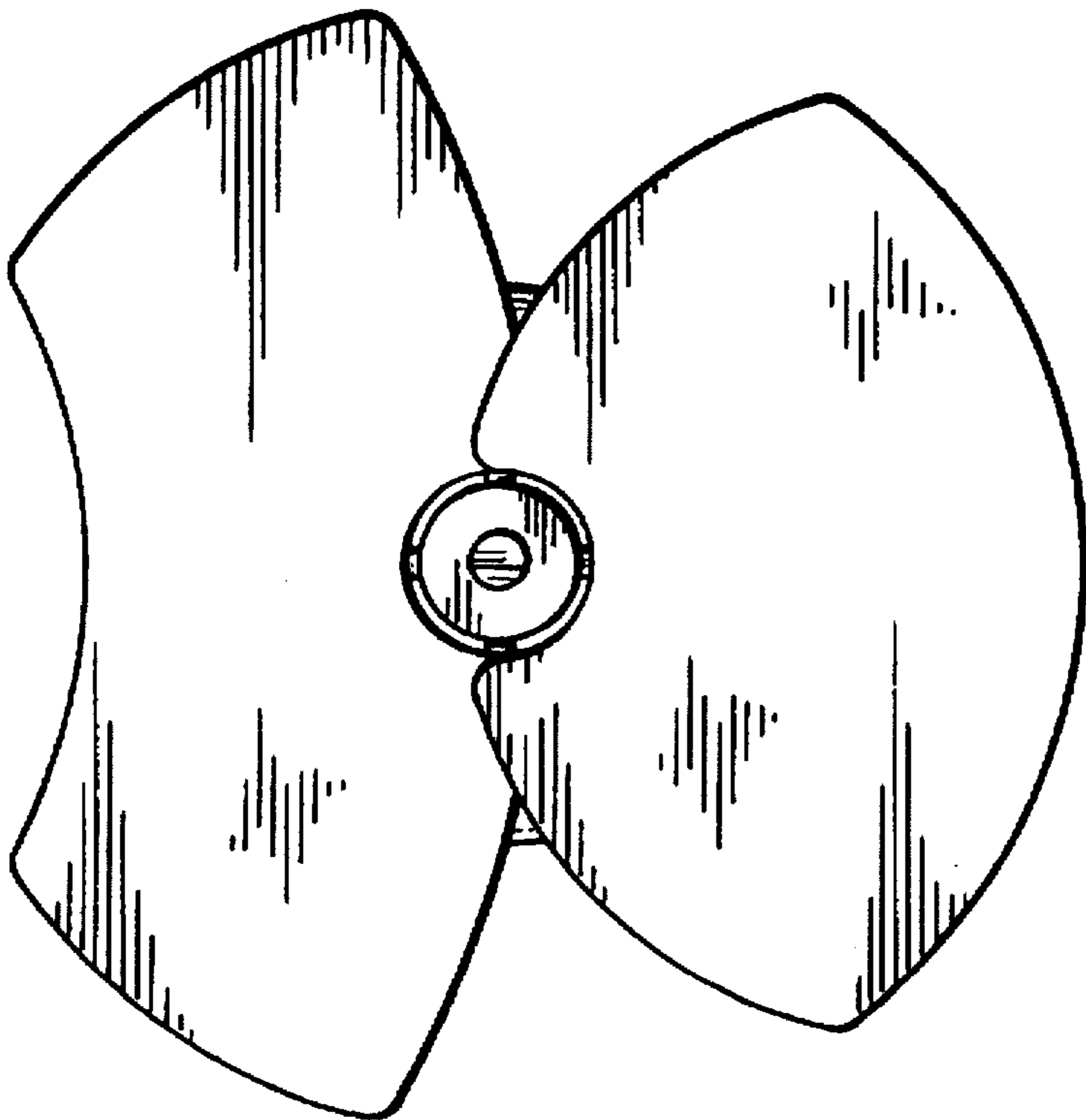
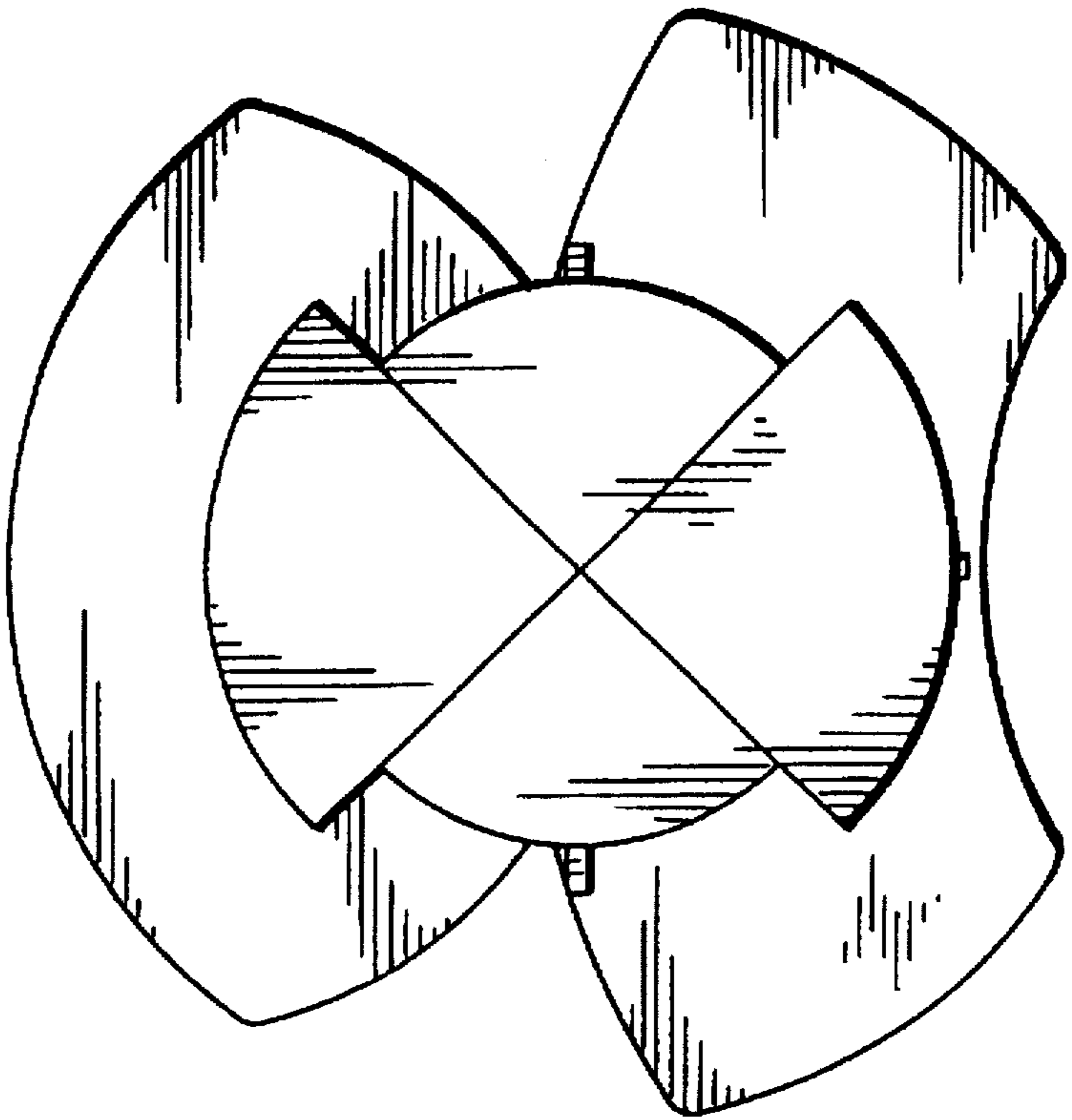


FIG. 5