



US00D383922S

# United States Patent [19]

[11] Patent Number: **Des. 383,922**

Goodwin et al.

[45] Date of Patent: **\*\*Sep. 23, 1997**

[54] **DISPLAY CASE**

[75] Inventors: **David Malcolm Goodwin**, Pyrford;  
**Nicholas Mernor Hamnett**, Epson,  
both of England

[73] Assignee: **Parker Pen Products**, Islesworth,  
England

[\*\*] Term: **14 Years**

[21] Appl. No.: **56,794**

[22] Filed: **Jul. 9, 1996**

**Related U.S. Application Data**

[62] Division of Ser. No. 31,974, Dec. 9, 1994.

[30] **Foreign Application Priority Data**

Jun. 27, 1994 [GB] United Kingdom ..... 2039957

[51] LOC (6) Cl. .... **20-02**

[52] U.S. Cl. .... **D6/470**

[58] Field of Search ..... D6/470, 436, 471,  
D6/472; D11/145; D30/101, 104, 105; 312/114,  
116, 138.1, 139, 139.1, 204

[56] **References Cited**

**U.S. PATENT DOCUMENTS**

D. 149,294	4/1948	Newman	.....	D6/471 X
D. 170,204	8/1953	Long	.....	D6/472
D. 322,526	12/1991	Leis et al.	.....	D6/470
D. 355,545	2/1995	Dobson	.....	D6/470
D. 363,398	10/1995	Branz et al.	.....	D6/472
D. 373,693	9/1996	Elhage	.....	D6/470

*Primary Examiner*—B. J. Bullock  
*Assistant Examiner*—Linda Brooks  
*Attorney, Agent, or Firm*—Paul I. Douglas; Chester Cekala

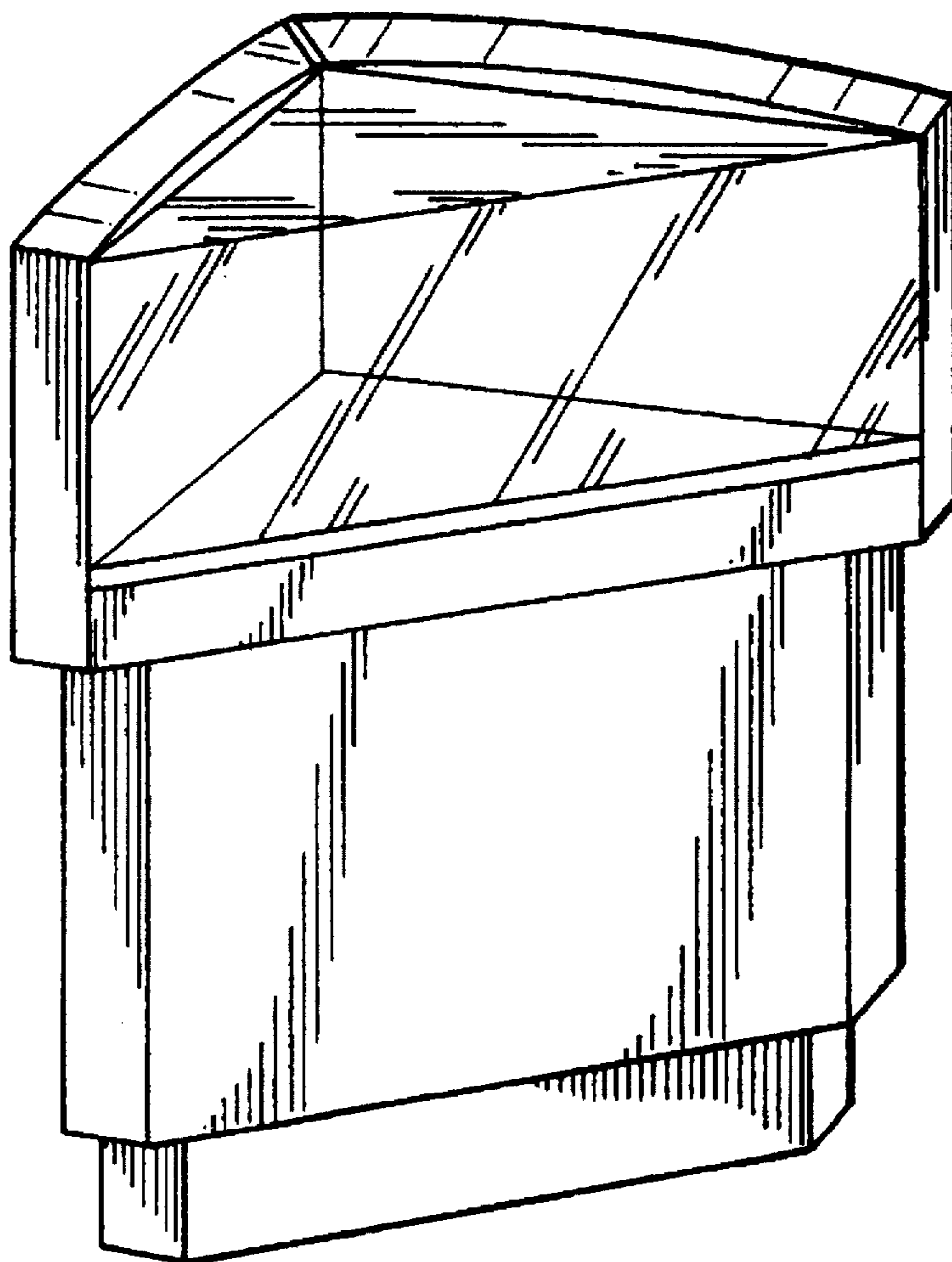
[57] **CLAIM**

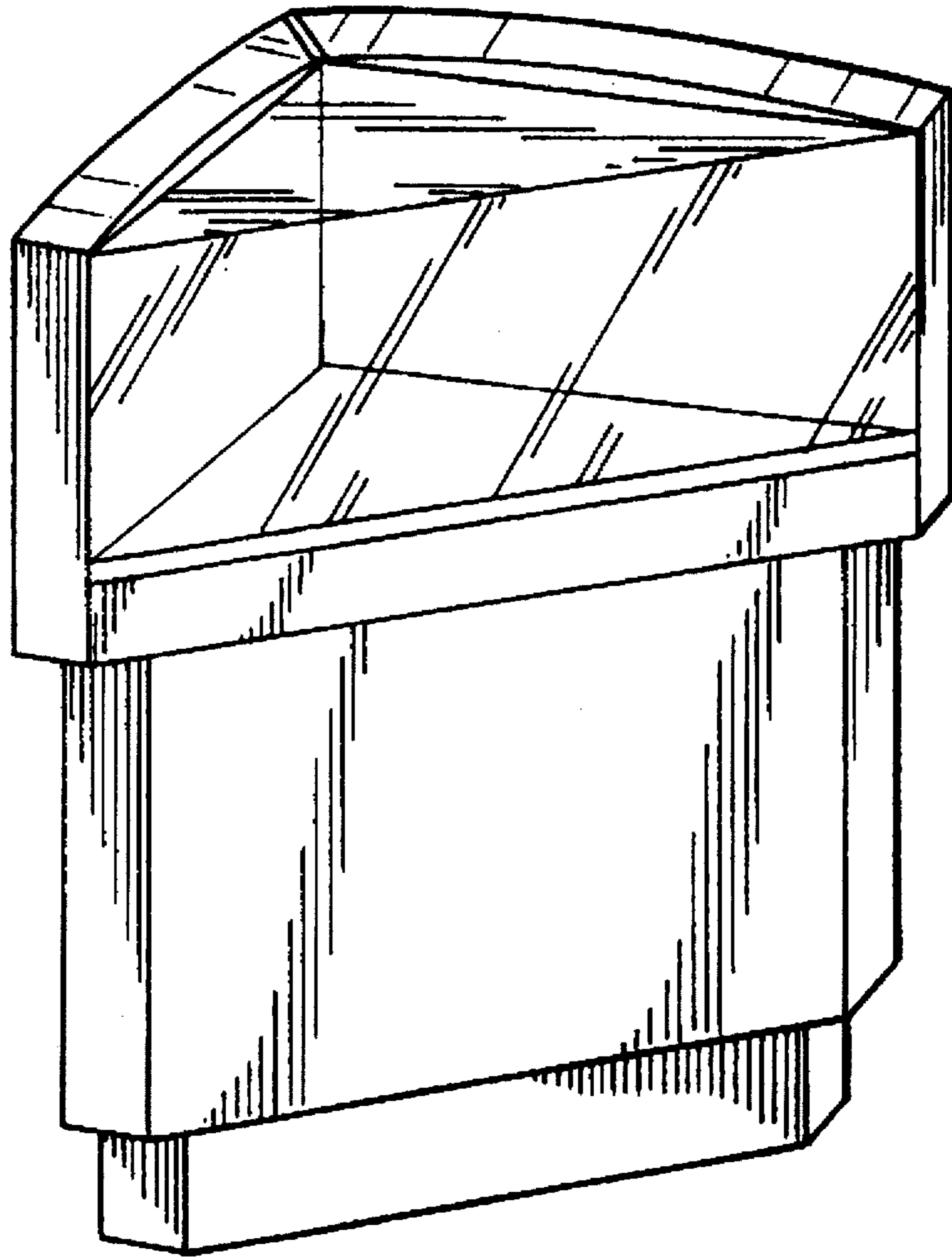
The ornamental design for a display case, as shown.

**DESCRIPTION**

FIG. 1 is a front isometric view of a display case showing our new design;  
FIG. 2 is a top elevational view thereof;  
FIG. 3 is a front elevational view thereof;  
FIG. 4 is a right side elevational view thereof; and,  
FIG. 5 is a left side elevational view thereof.

**1 Claim, 2 Drawing Sheets**





*FIG. 1*

FIG. 2

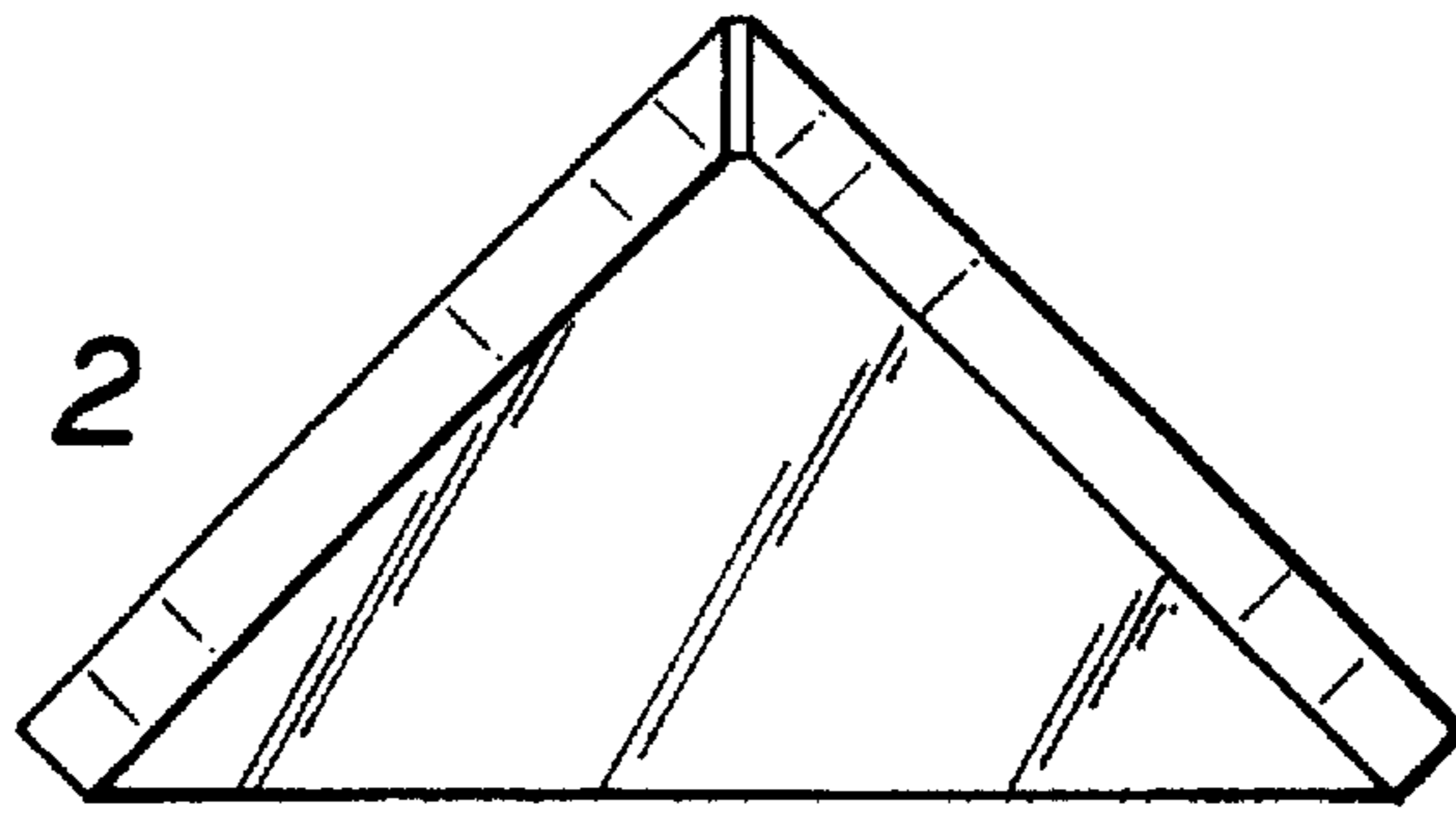


FIG. 3

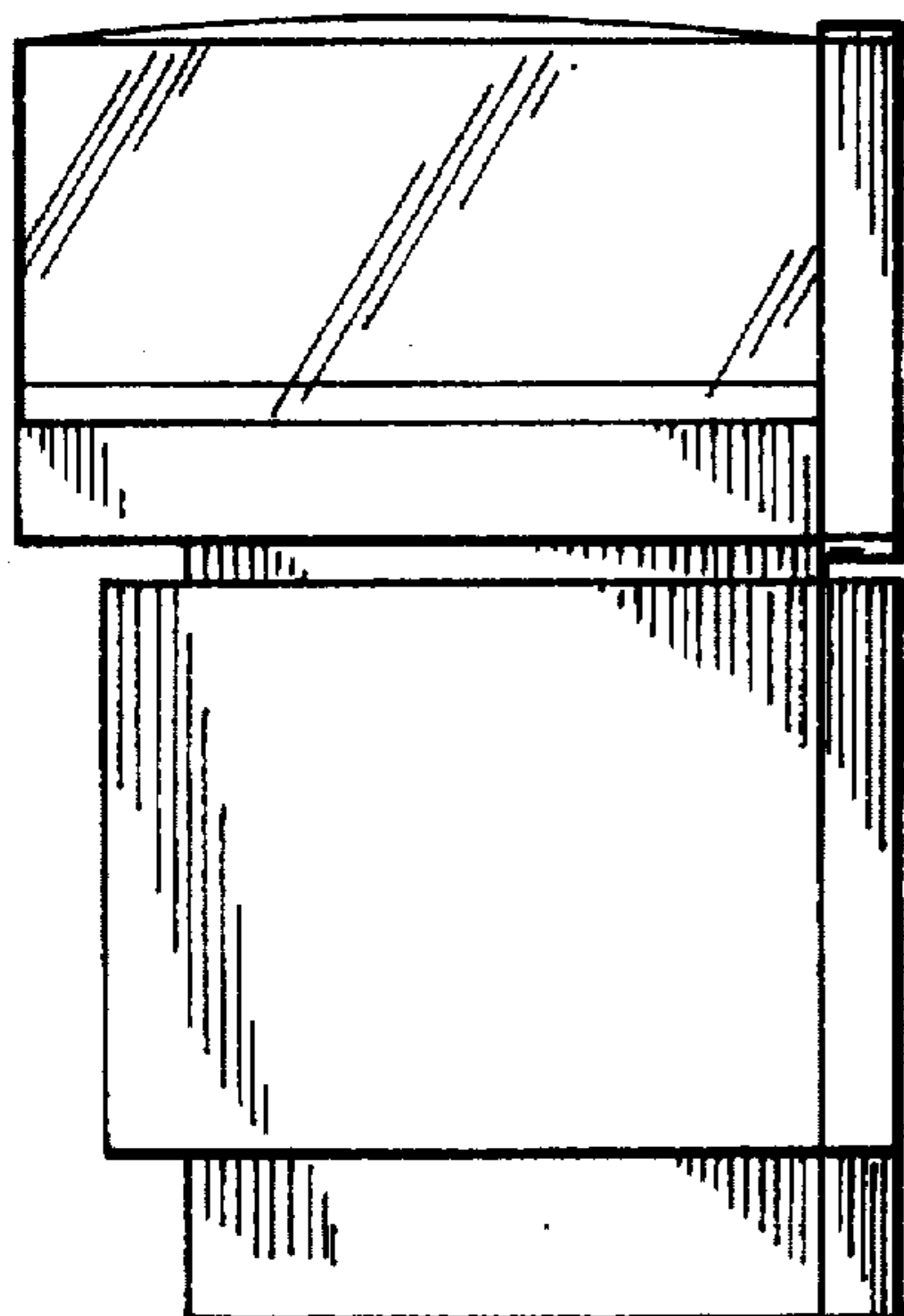
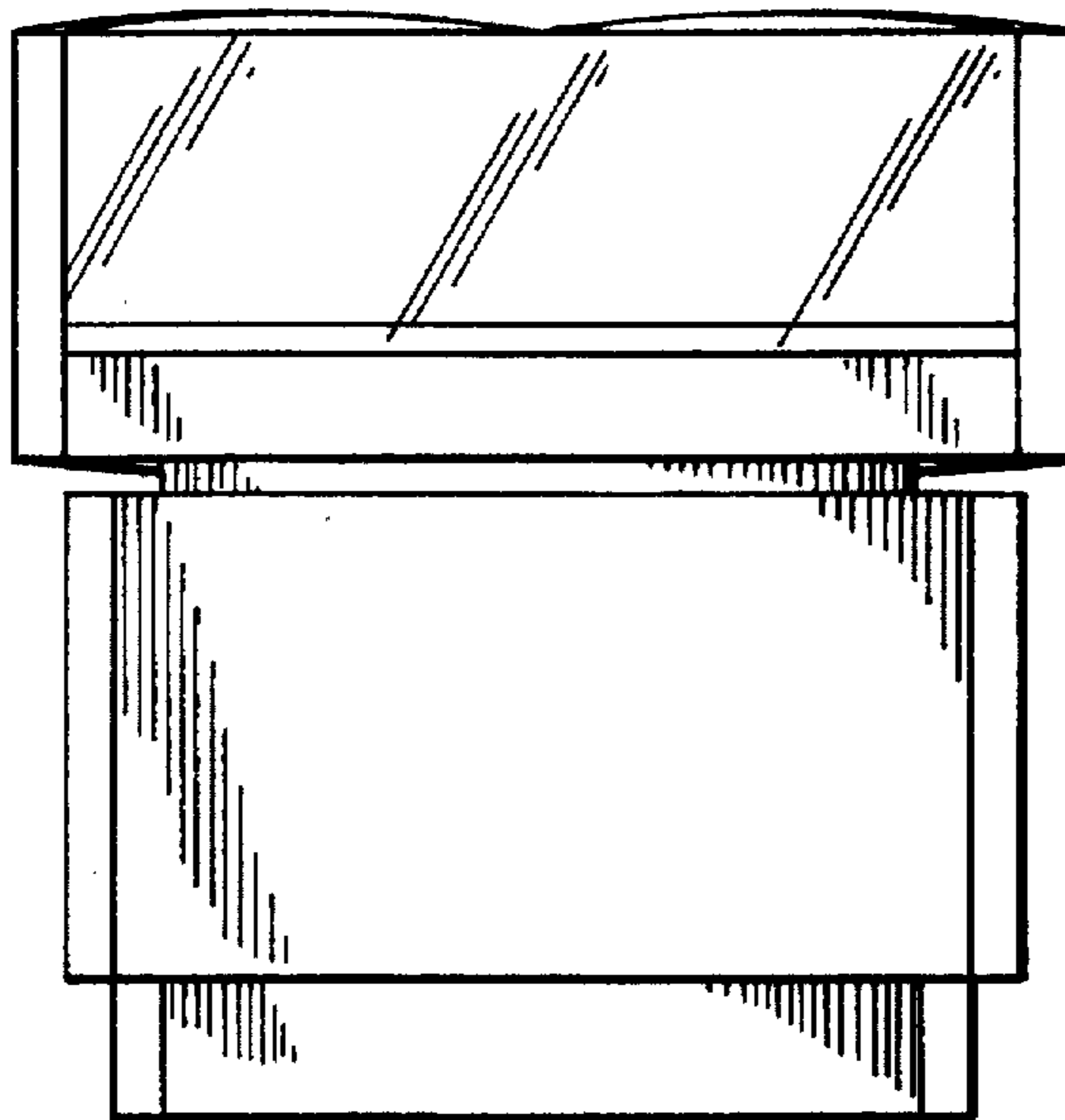


FIG. 4

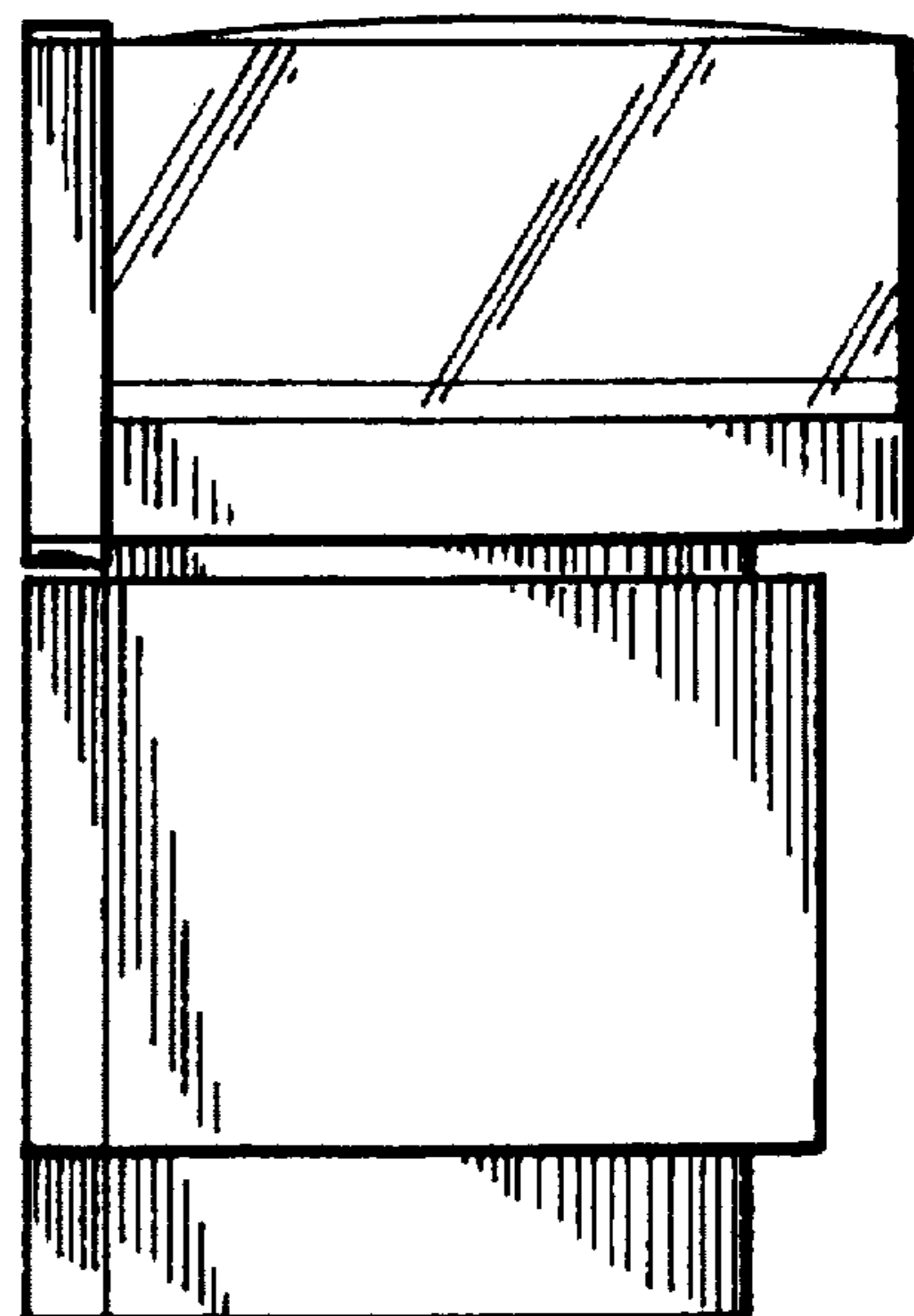


FIG. 5