

US00D383917S

United States Patent [19]
Bohland

[11] **Patent Number: Des. 383,917**
[45] **Date of Patent: **Sep. 23, 1997**

[54] **PLANTER STAND**

[76] **Inventor: William Bohland**, 101 N. 72nd Ave.,
Pensecola, Fla. 32506

[**] **Term: 14 Years**

[21] **Appl. No.: 47,666**

[22] **Filed: Dec. 11, 1995**

[51] **LOC (6) Cl. 06-06**

[52] **U.S. Cl. D6/405; D6/403**

[58] **Field of Search** D6/403, 405, 556,
D6/462, 458; D11/143, 144, 164; 47/66,
82, 83, 39, 41.01, 44, 47, 67; 206/423;
248/27.8, 121, 127, 156, 165; 211/71

[56] **References Cited**

U.S. PATENT DOCUMENTS

214,061	4/1879	Stearns	47/67
D. 361,443	8/1995	Bohland	D6/405
5,037,049	8/1991	Funk	D6/405 X
5,454,187	10/1995	Wasserman	47/39
5,487,476	1/1996	Barfield	211/71

Primary Examiner—Caron D. Veynar
Attorney, Agent, or Firm—George R. McGuire

[57] **CLAIM**

The ornamental design for planter stand, as shown and described.

DESCRIPTION

FIG. 1 is a perspective view of a planter stand, the light receiving section and the three sets of pot supporting fingers being shown in phantom for illustrative purposes only and forming no part of the claimed design;
FIG. 2 is a front elevational view, the rear elevational view being a mirror image thereof;
FIG. 3 is a side elevational view, the opposite side view being a mirror image thereof;
FIG. 4 is a top plan view thereof;
FIG. 5 is a bottom plan view thereof; and,
FIG. 6 is a perspective view of the planter stand, the broken line showing of pots, supports, lights and light assemblies are for illustrative purposes only and forms no part of the claimed design.

1 Claim, 3 Drawing Sheets

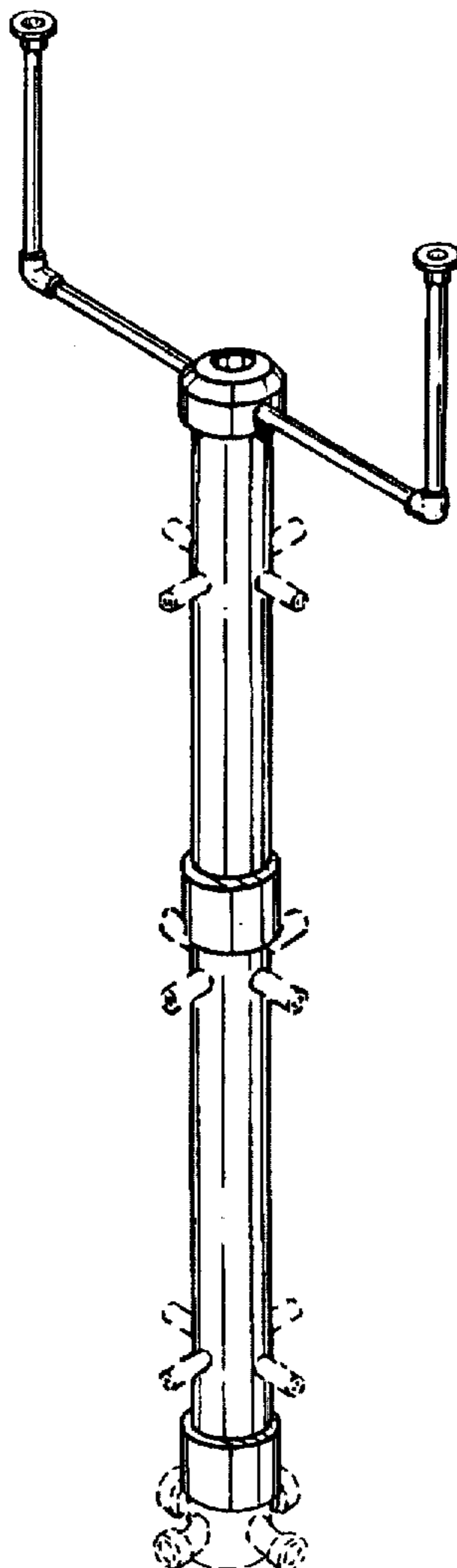


FIG. 1

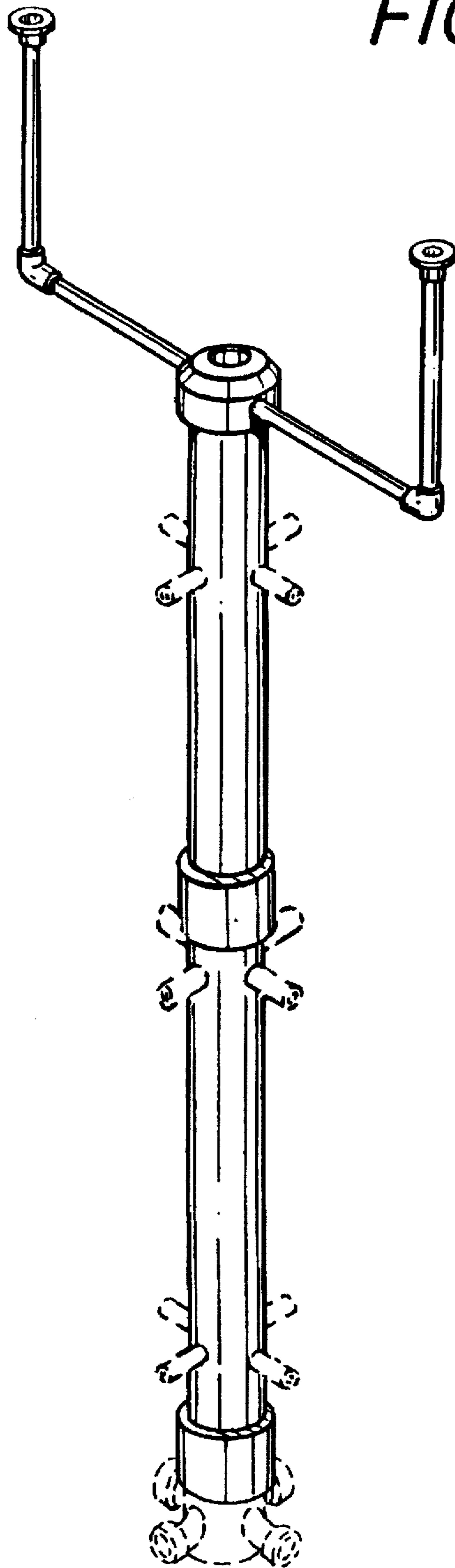


FIG. 2

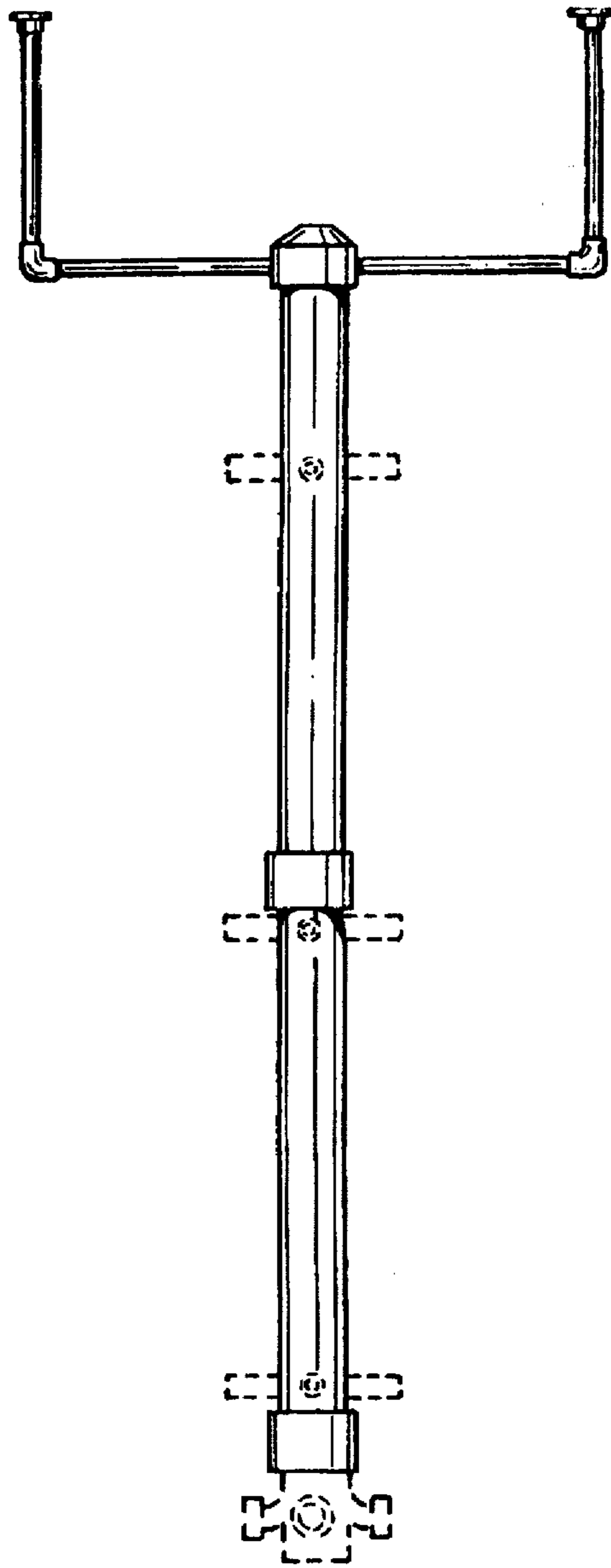


FIG. 3

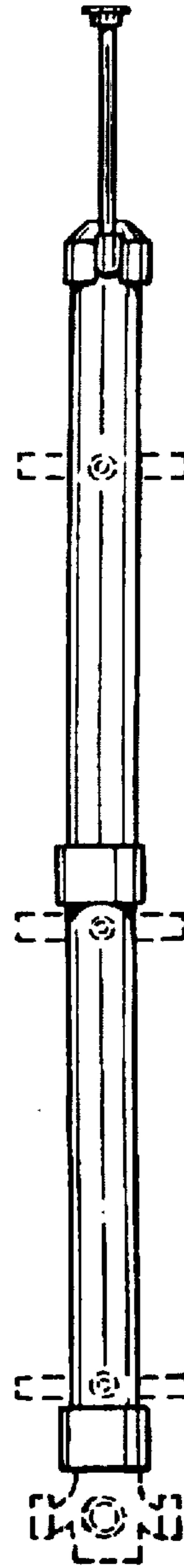


FIG. 4

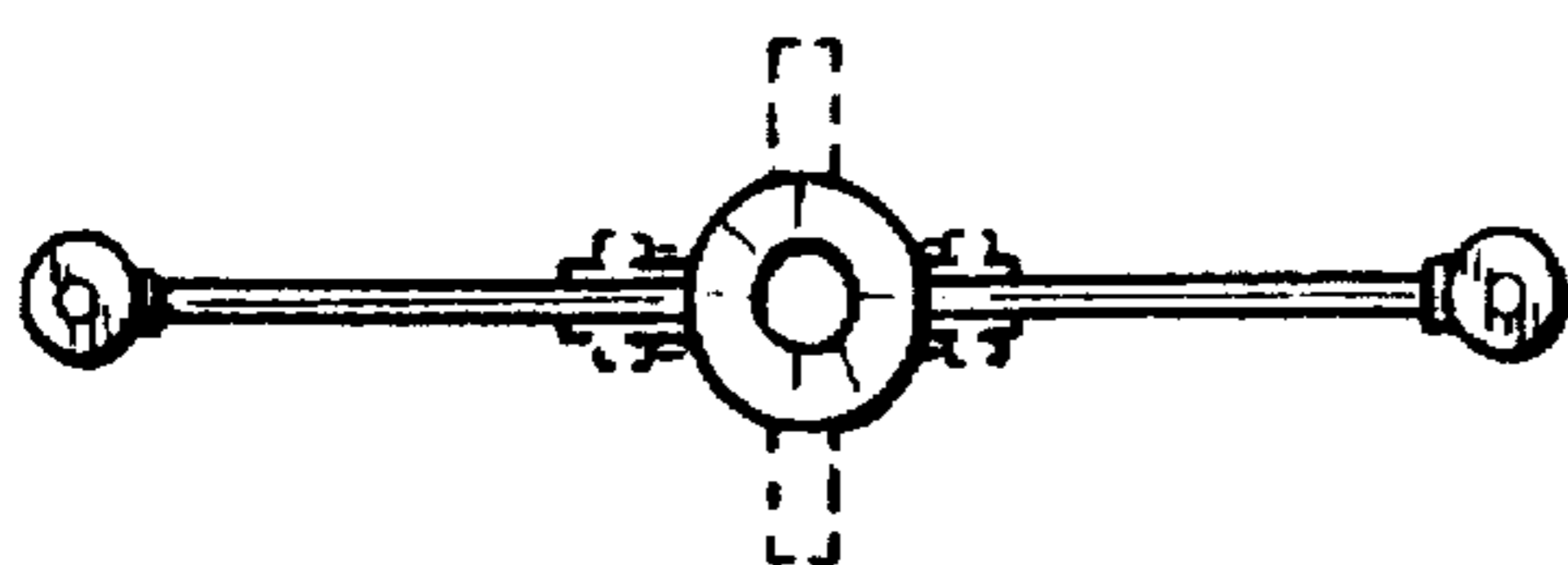


FIG. 5

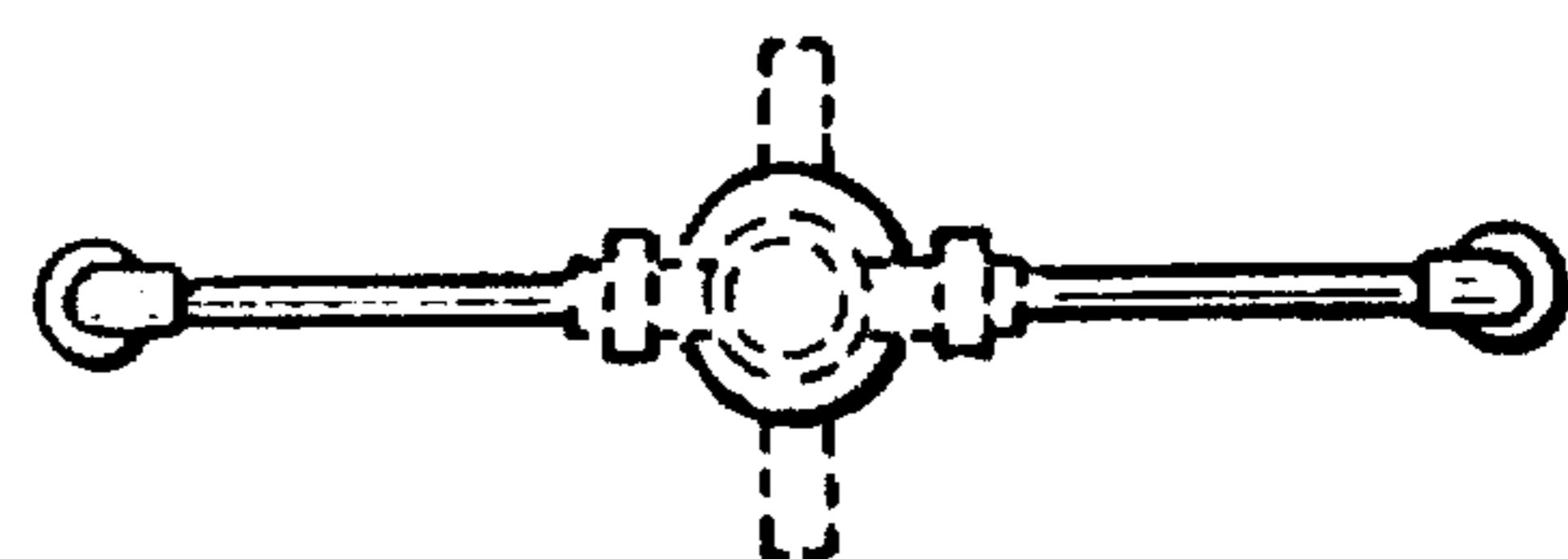


FIG. 6

