



US00D383916S

# United States Patent [19]

Richards et al.

[11] Patent Number: **Des. 383,916**

[45] Date of Patent: **\*\*Sep. 23, 1997**

[54] **ADJUSTABLE PLANT HOLDER**

[76] Inventors: **Roger H. Richards**, 3134 Waterside Dr., Arlington, Tex. 76012; **William C. Richards**, 700 Middlefork, Irving, Tex. 75063

[\*\*] Term: **14 Years**

[21] Appl. No.: **43,856**

[22] Filed: **Sep. 13, 1995**

[51] LOC (6) Cl. .... **11-02**

[52] U.S. Cl. .... **D6/403; D11/148**

[58] Field of Search ..... D11/143, 144, D11/148, 164; D6/403, 411, 458, 462, 556; 47/66, 67, 41.01, 44; 206/423; 248/27.8, 121, 126, 214

[56] **References Cited**

**U.S. PATENT DOCUMENTS**

D. 337,226 7/1993 Rosenbaum ..... D6/513

D. 352,674 11/1994 Richards et al. .... D11/148  
1,930,673 10/1933 Consolazio ..... D11/164 X  
5,395,080 3/1995 Smith ..... D11/148 X  
5,487,476 1/1996 Barfield ..... D6/405 X

*Primary Examiner*—Caron D. Veynar  
*Attorney, Agent, or Firm*—H. Dennis Kelly; Timmons & Kelly

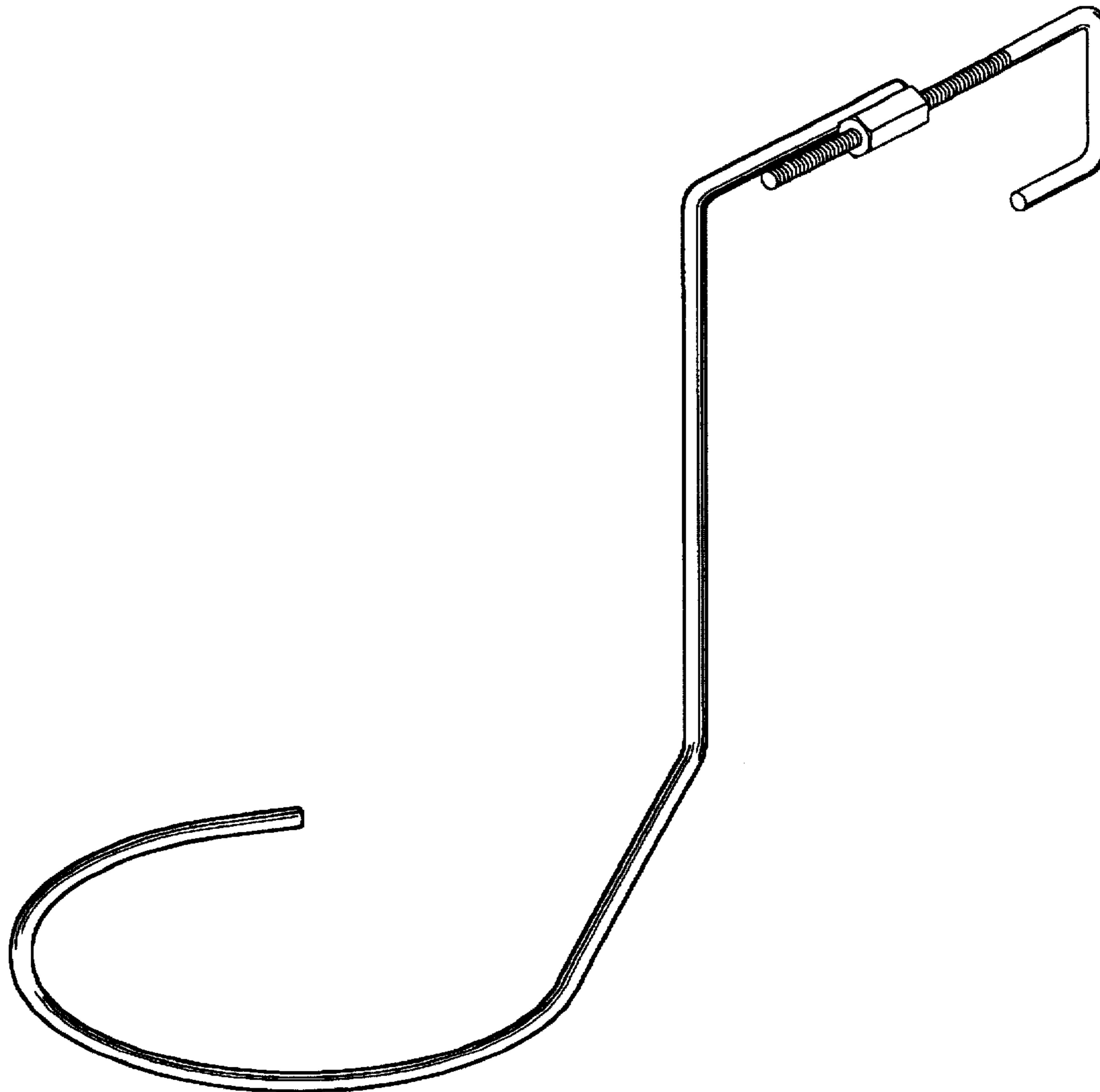
[57] **CLAIM**

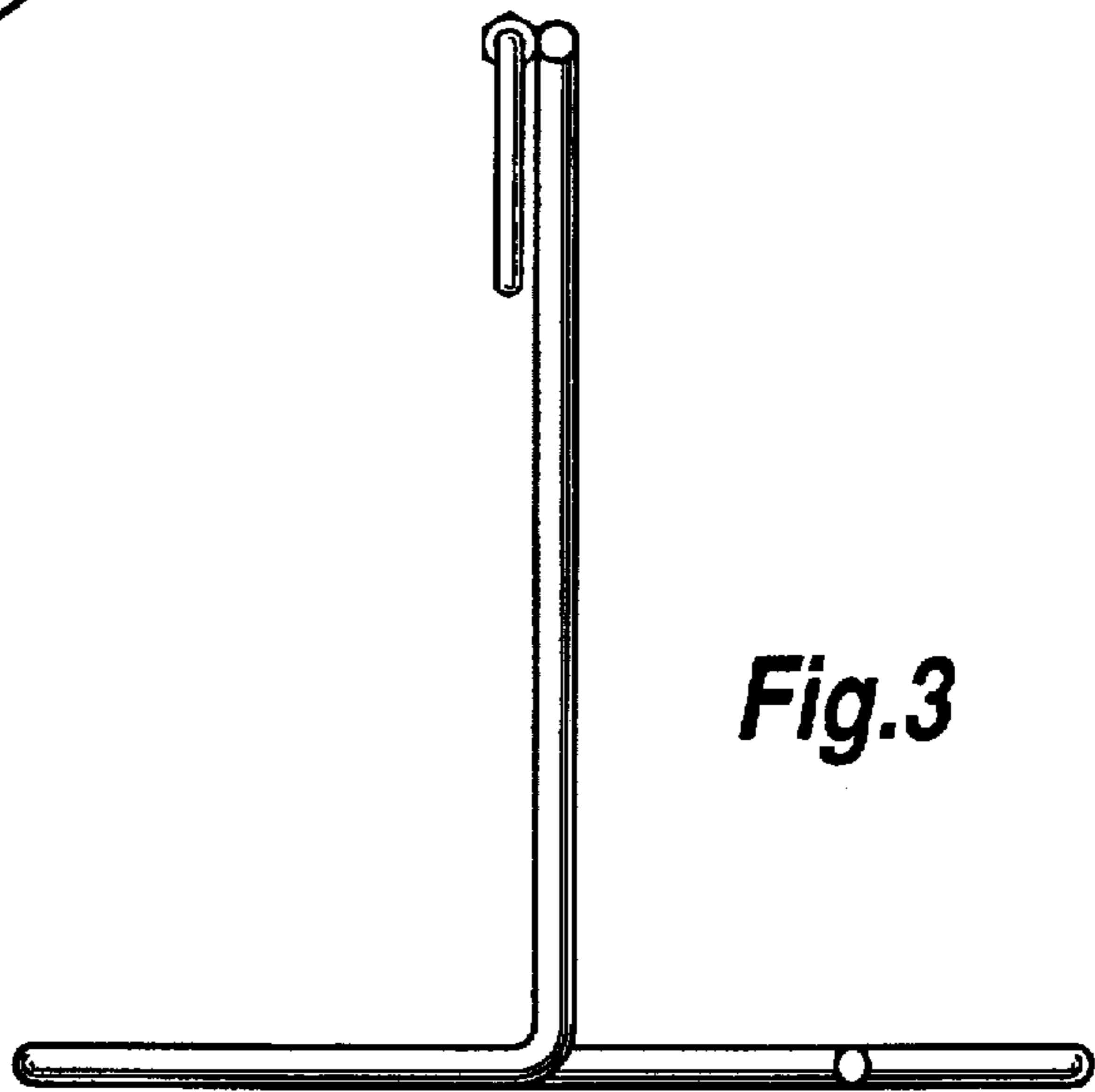
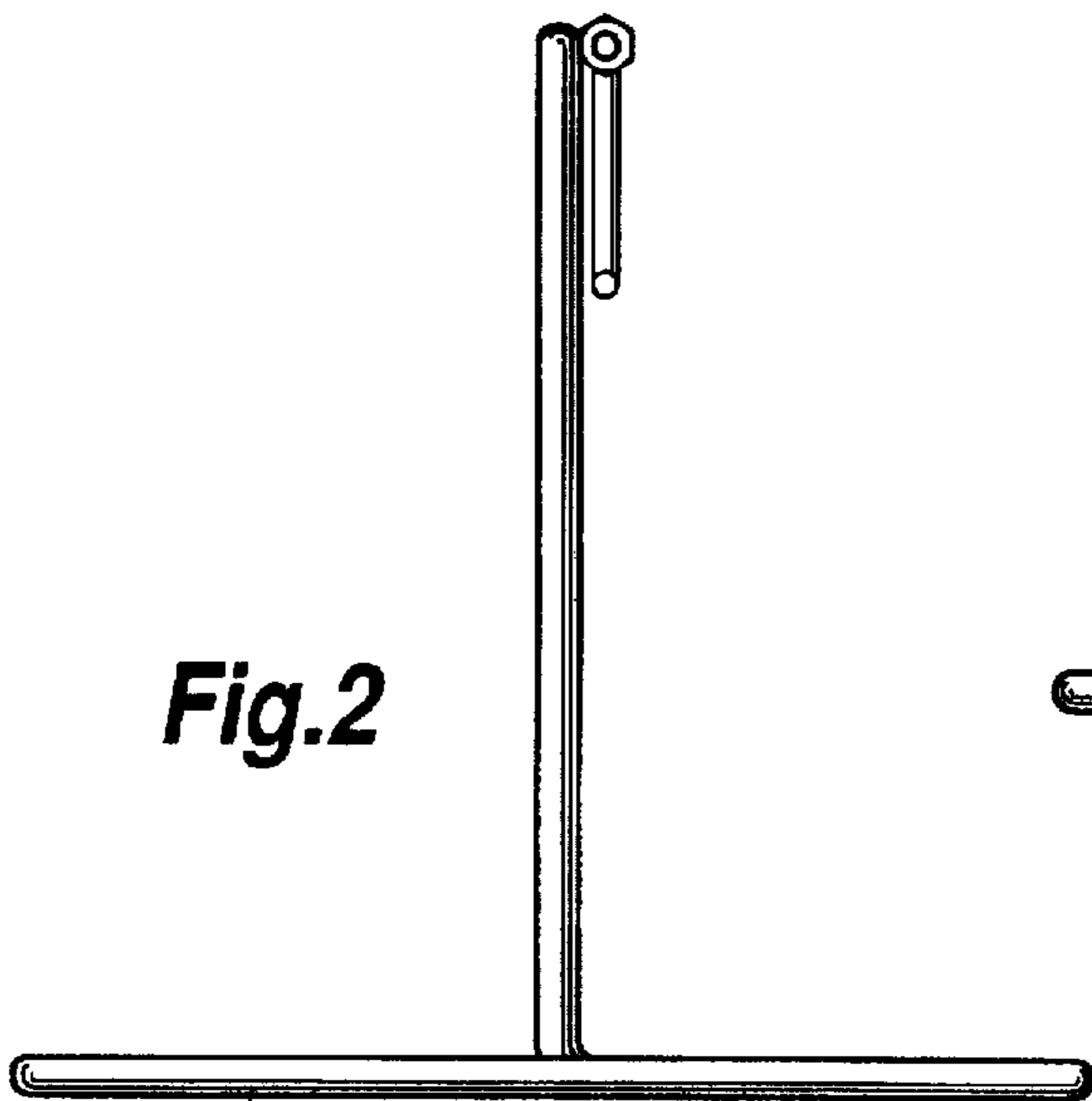
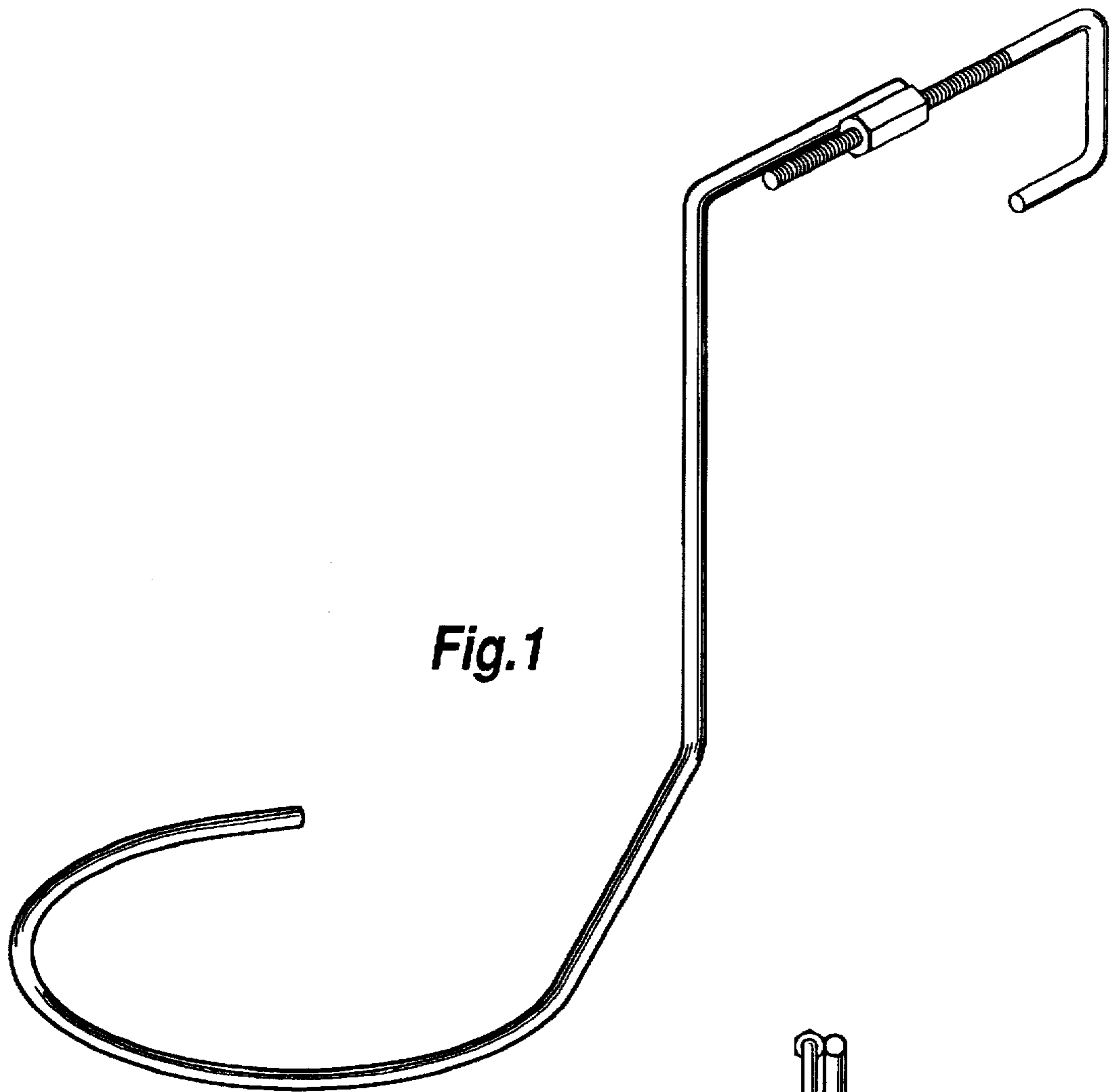
The ornamental design for an adjustable plant holder, as shown and described.

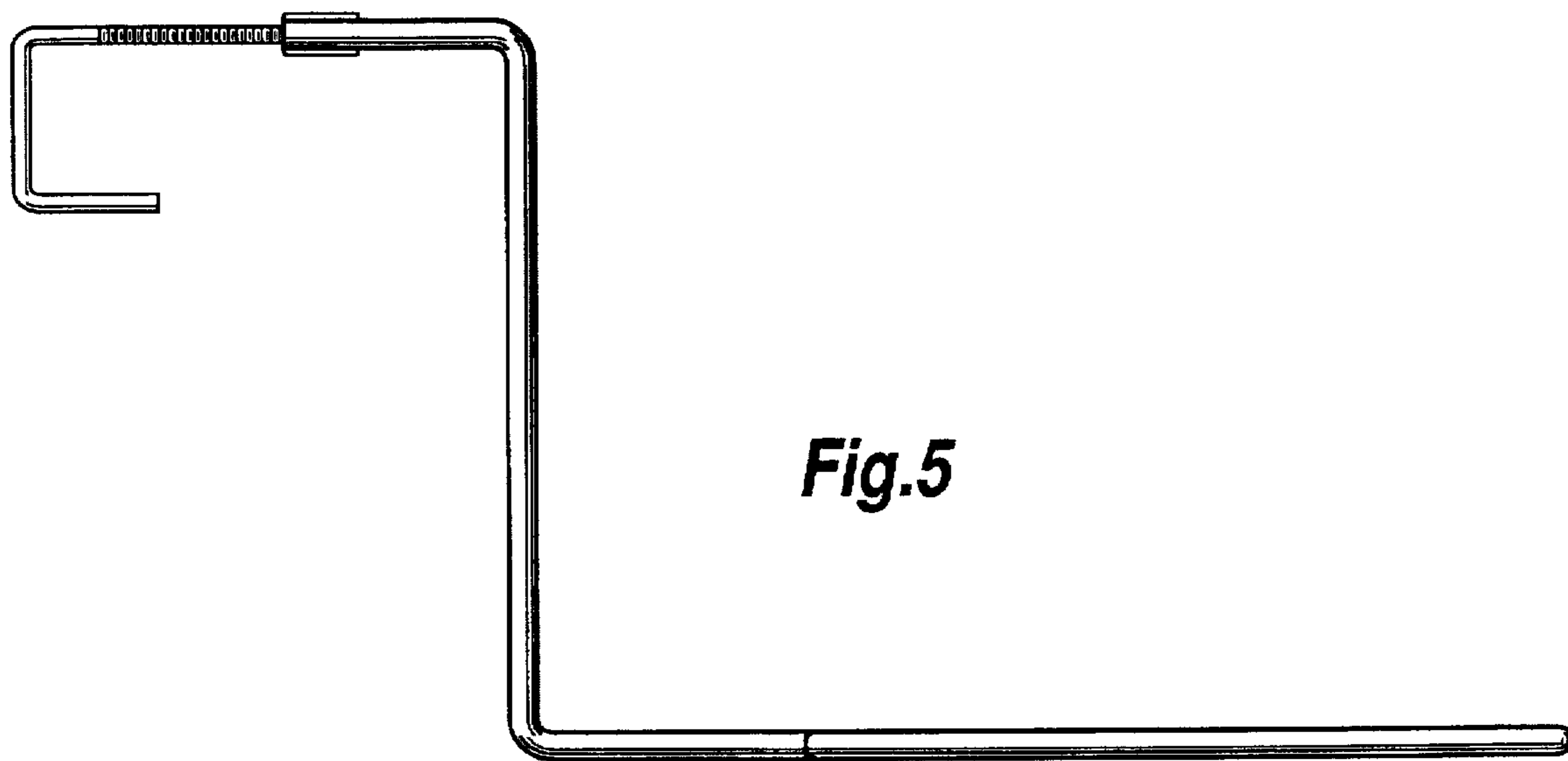
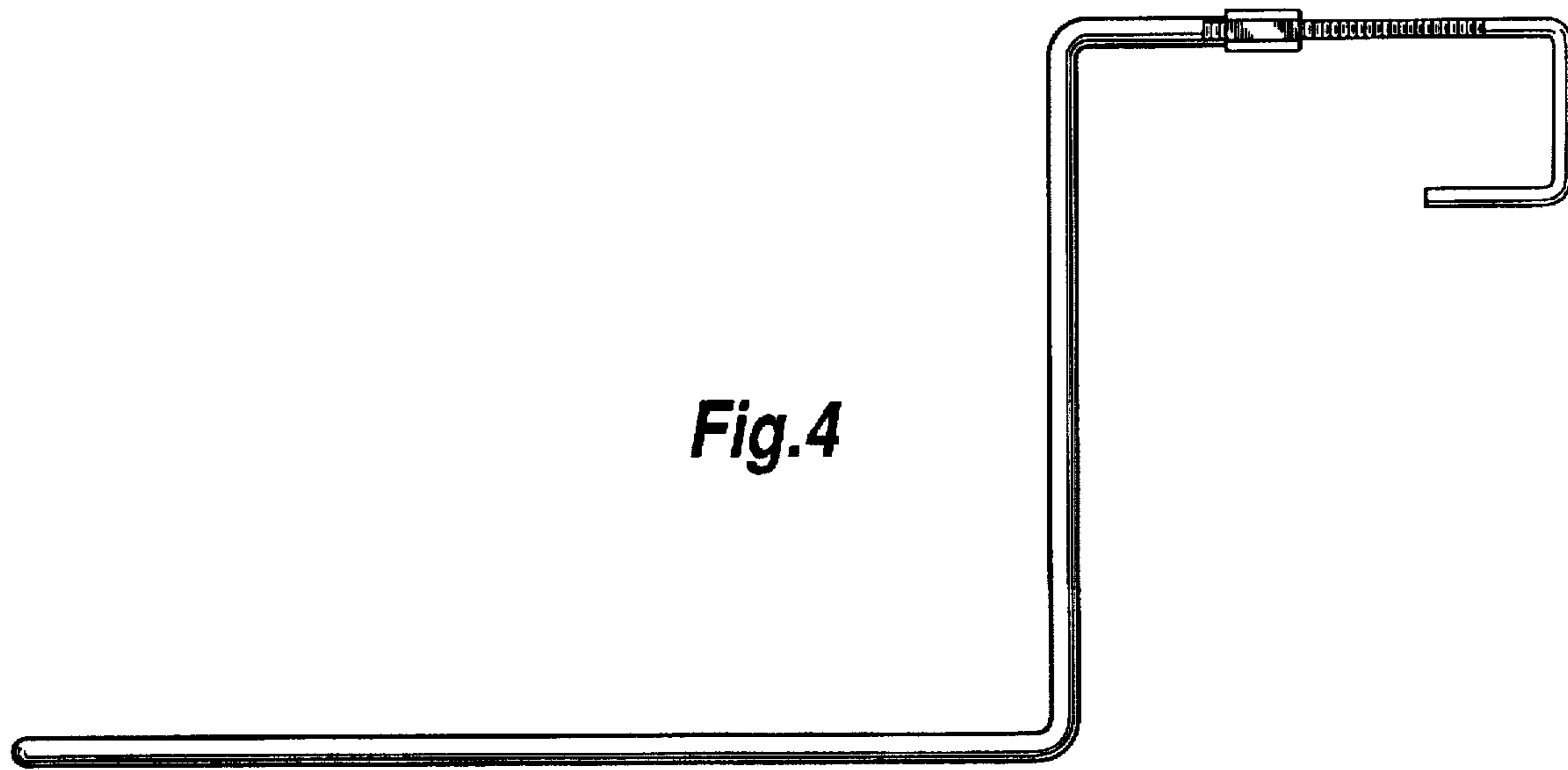
**DESCRIPTION**

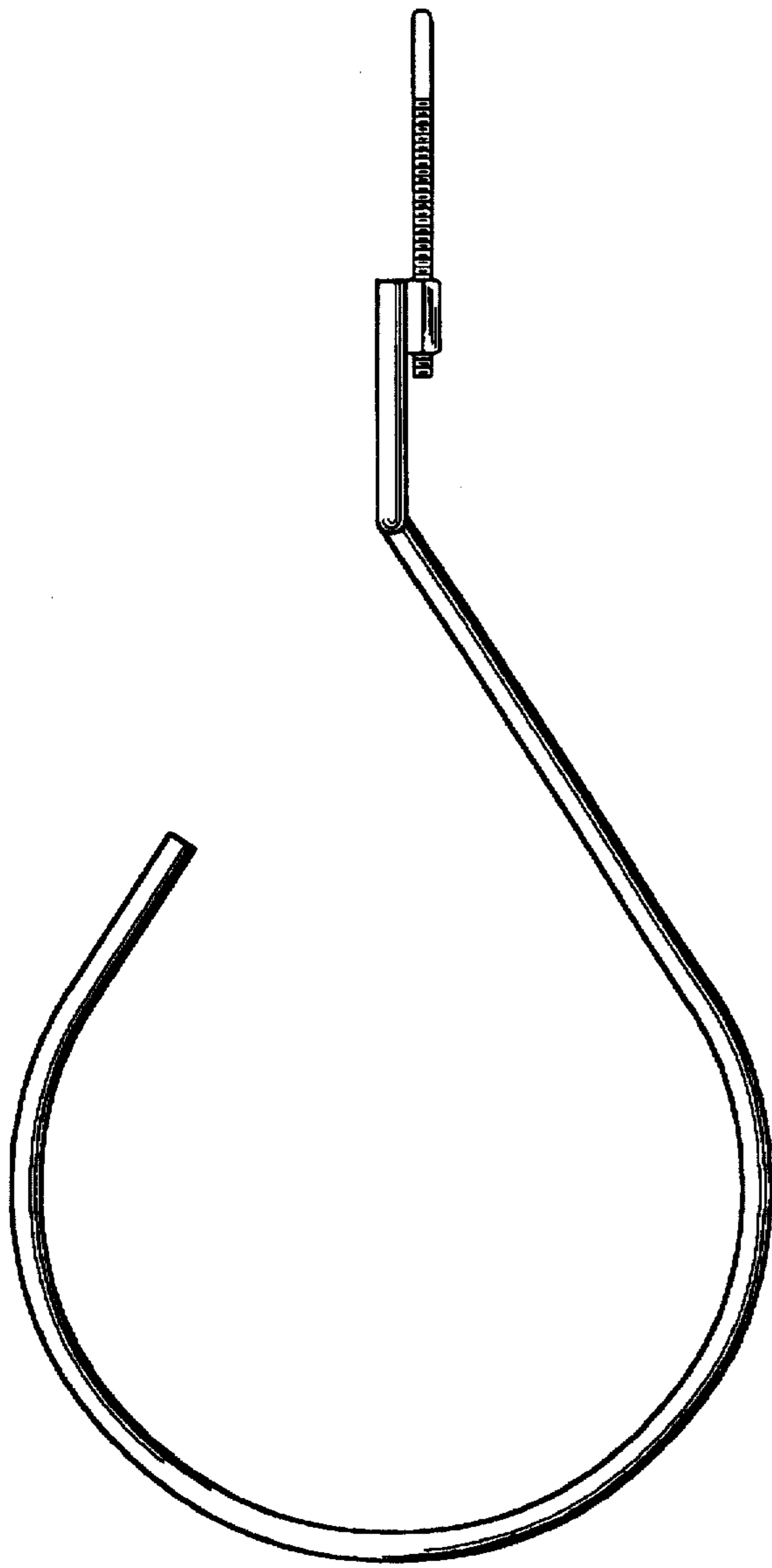
FIG. 1 is a perspective view of an adjustable plant holder showing our new design;  
FIG. 2 is a front elevation thereof;  
FIG. 3 is a rear elevation thereof;  
FIG. 4 is a left side elevation thereof;  
FIG. 5 is a right side elevation thereof;  
FIG. 6 is a top plan view thereof; and,  
FIG. 7 is a bottom plan view thereof.

**1 Claim, 3 Drawing Sheets**

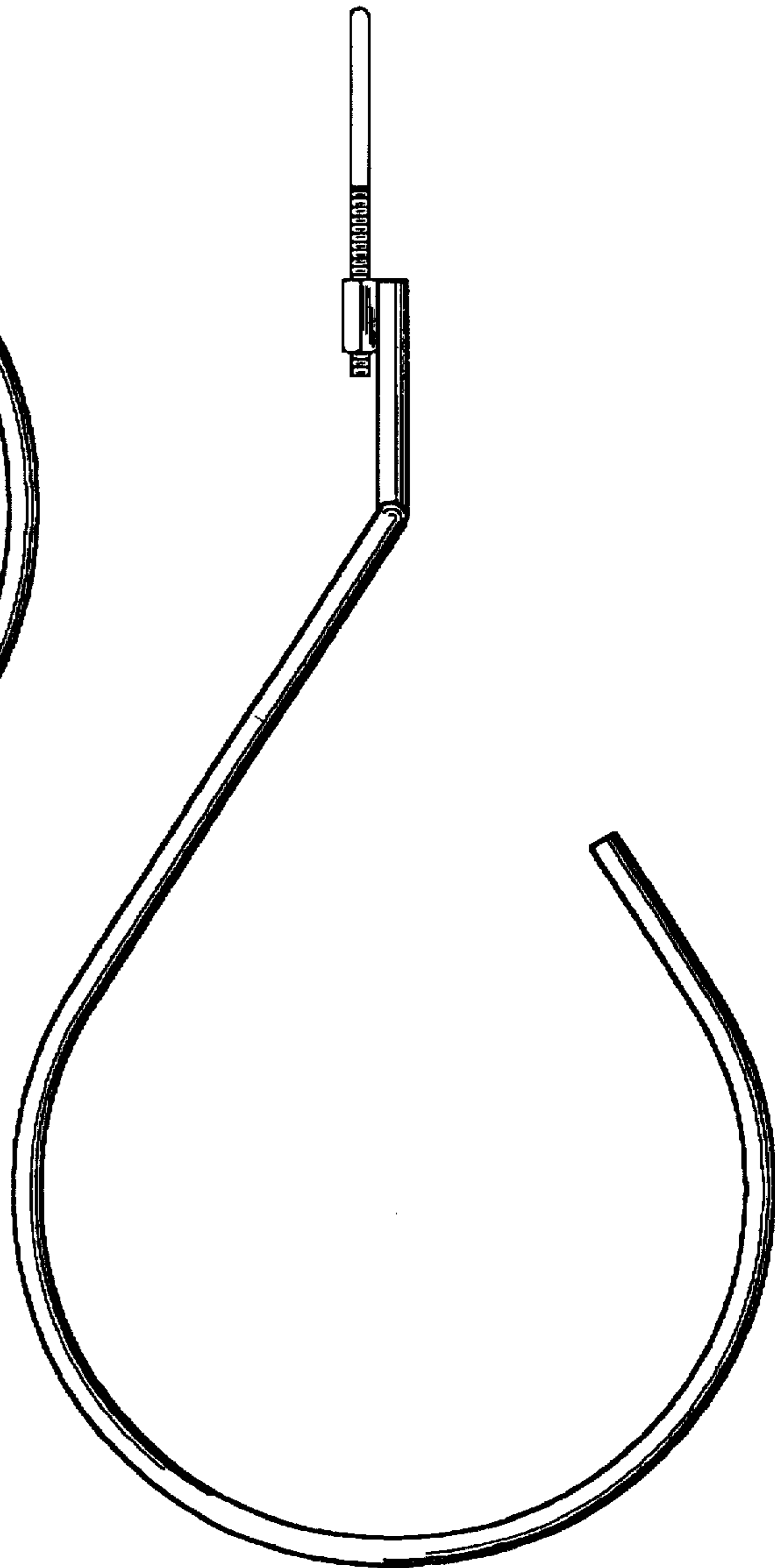








**Fig.6**



**Fig.7**