

US00D383910S

United States Patent [19]

Maxwell

[11] Patent Number: **Des. 383,910**

[45] Date of Patent: ****Sep. 23, 1997**

[54] **CLOTHES HANGER HOOK COVER**

[76] Inventor: **William D. Maxwell**, 3813 Country Club Rd. North, Irving, Tex. 75038

[**] Term: **14 Years**

[21] Appl. No.: **44,212**

[22] Filed: **Sep. 20, 1995**

[51] LOC (6) Cl. **06-08**

[52] U.S. Cl. **D6/328**

[58] Field of Search D6/328; 223/98, 223/DIG. 4; 211/113; 294/137, 142

[56] **References Cited**

U.S. PATENT DOCUMENTS

1,030,425	6/1912	Owen .	
2,192,237	3/1940	Nettles .	
2,769,587	11/1956	Threeton	294/142
2,989,191	6/1961	Easton	86/328
3,112,050	11/1963	Eason .	

3,120,913	2/1964	Glowka .	
3,554,418	1/1971	Holmes	294/142
3,963,155	6/1976	Bish .	
4,709,954	12/1987	Beyda et al.	294/142

Primary Examiner—B. J. Bullock
Attorney, Agent, or Firm—James E. Bradley

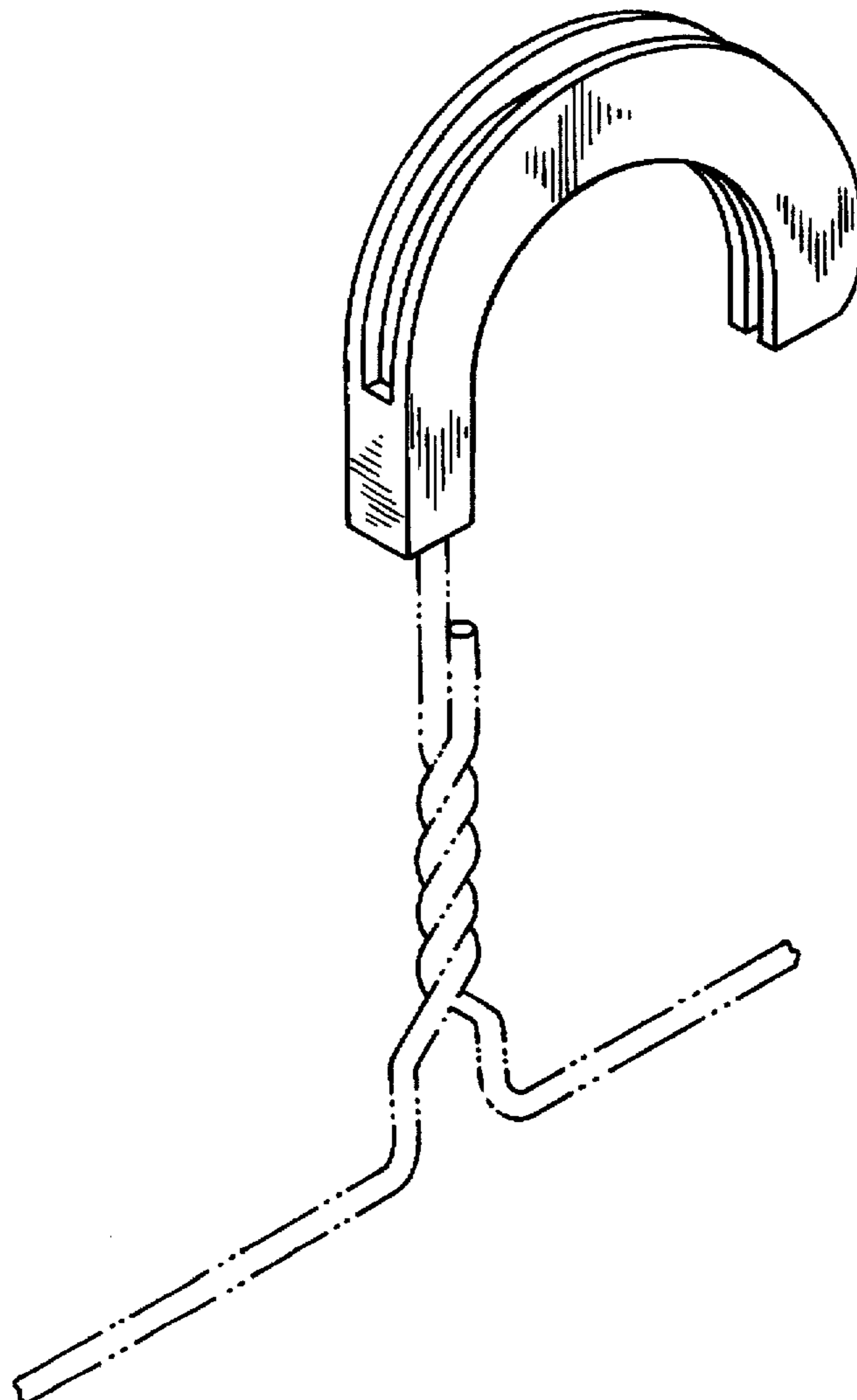
[57] **CLAIM**

The ornamental design for a clothes hanger hook cover, as shown and described.

DESCRIPTION

FIG. 1 is a prospective view of a hook cover embodying my new design, with portions of a clothes hanger shown in phantom, the clothes hanger not being part of the design; FIG. 2 is an enlarged left elevational side view thereof; FIG. 3 is a front elevational view thereof; FIG. 4 is a rear elevational view thereof; FIG. 5 is a top plan view thereof; and, FIG. 6 is a bottom plan view thereof.

1 Claim, 2 Drawing Sheets



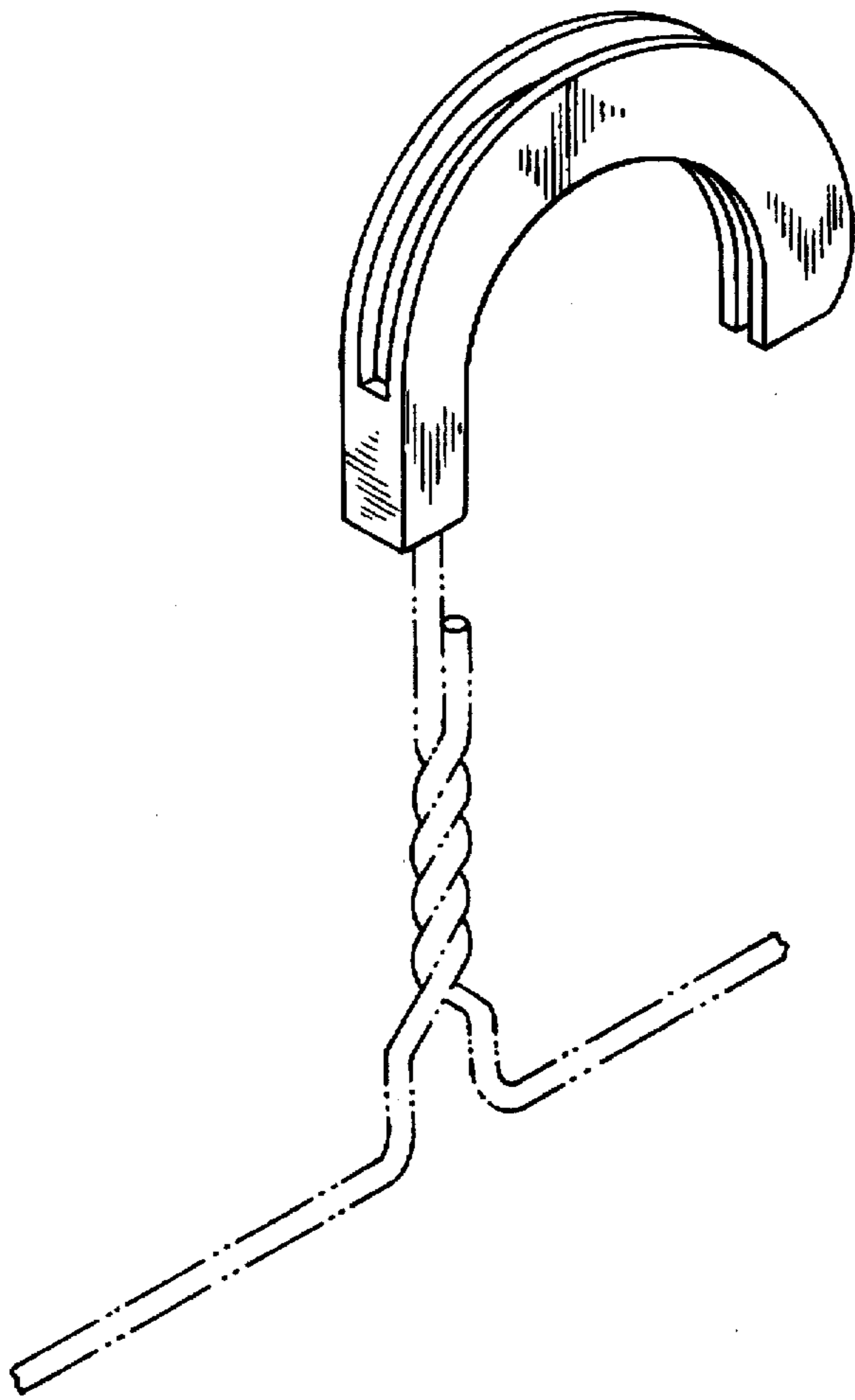


Fig. 1

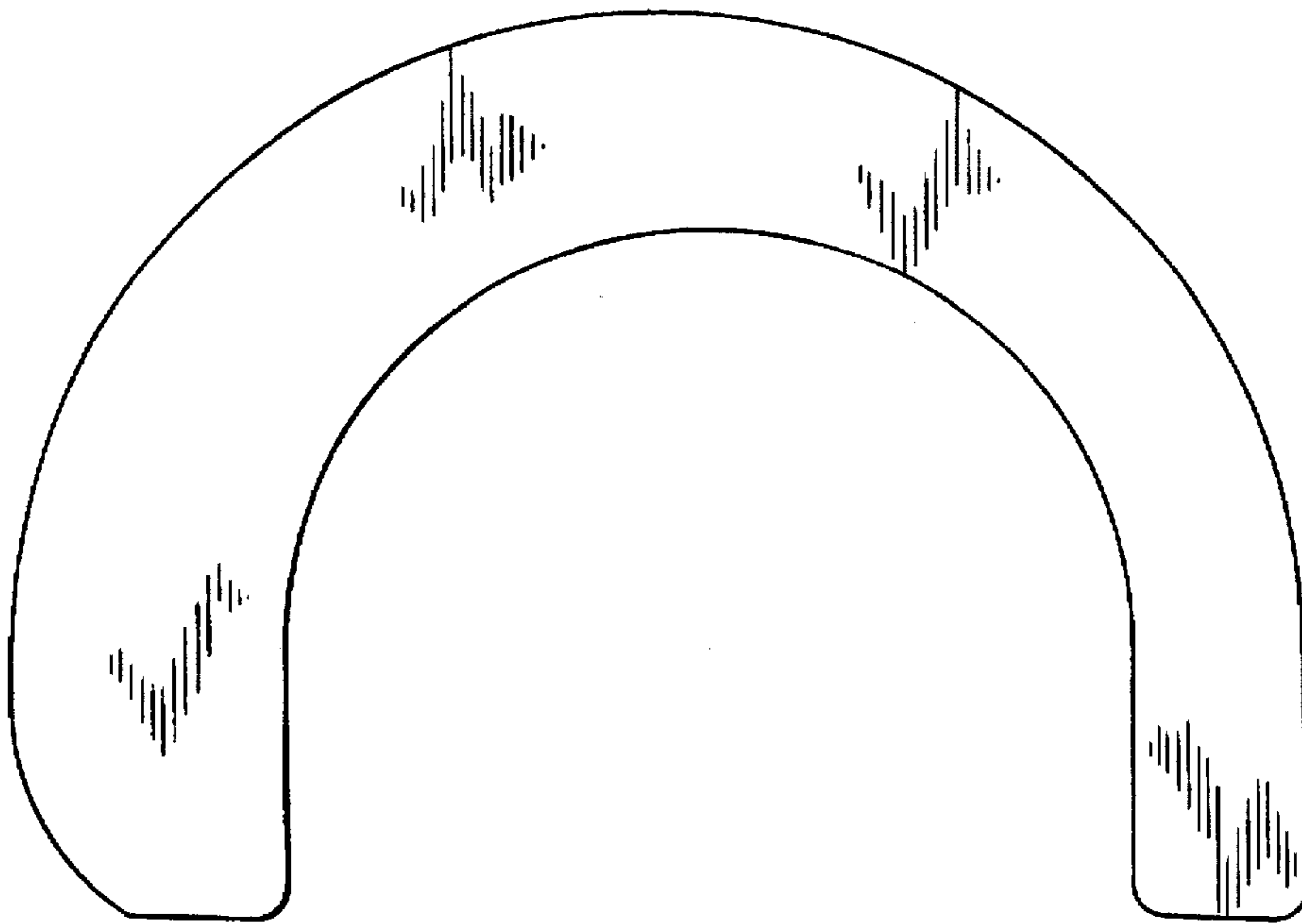


Fig. 2

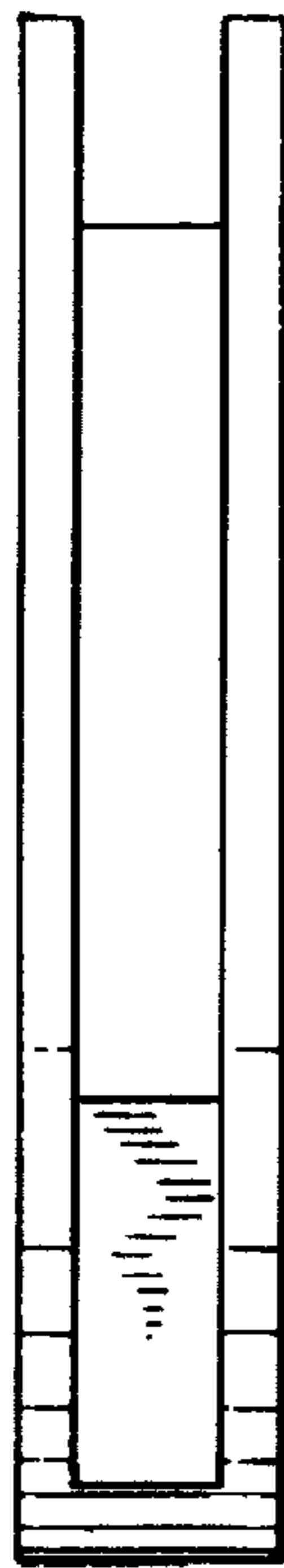


Fig. 3

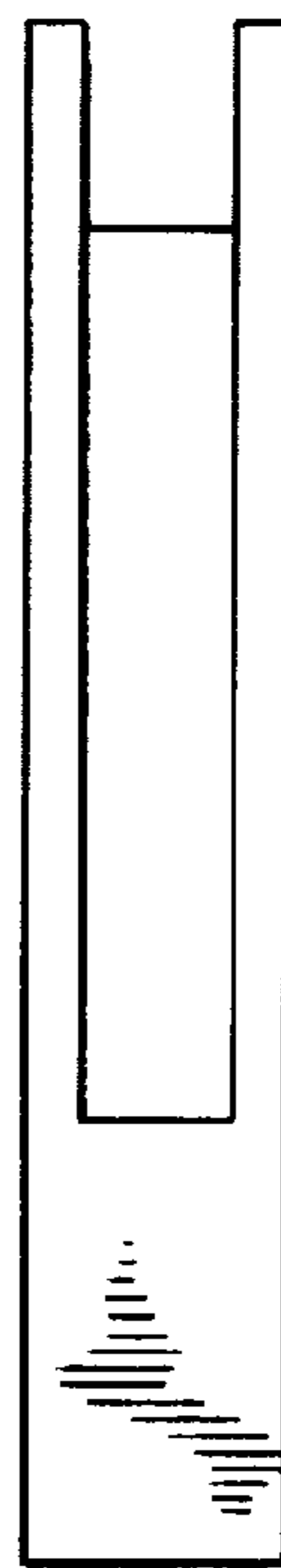


Fig. 4

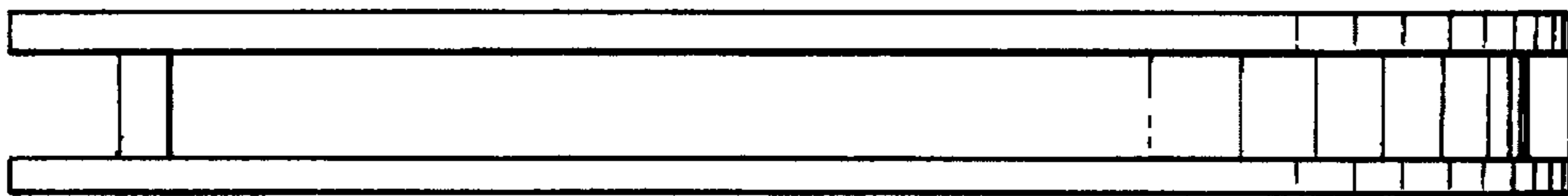


Fig. 5

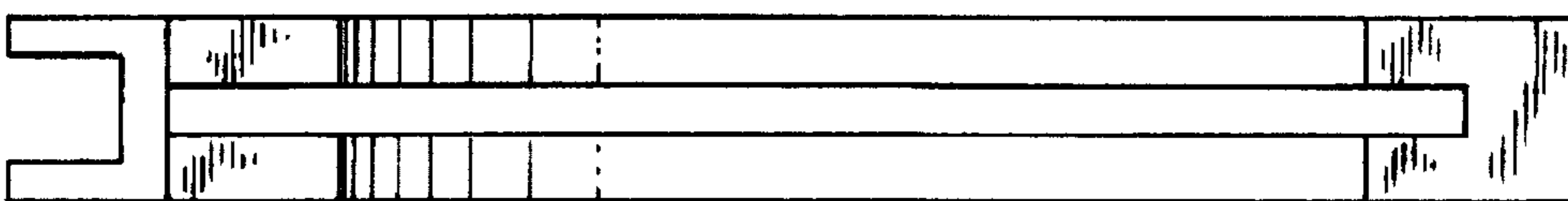


Fig. 6