



US00D383901S

United States Patent [19]

Anderson et al.

[11] Patent Number: **Des. 383,901**

[45] Date of Patent: ****Sep. 23, 1997**

[54] **HANDLE FOR AN OVAL BRUSH**

4,030,158 6/1977 Blair et al. 15/159.1
4,500,939 2/1985 Gueret 361/221

[75] Inventors: **Eric Anderson**, Maplewood, N.J.; **Eric Chan**, New York, N.Y.

OTHER PUBLICATIONS

[73] Assignee: **Goody Products, Inc.**, Kearney, N.J.

Hong Kong Enterprise Oct. 1991; Hairbrushes—Items 6801RB, 6802RB, 7287RB, & 7290RB; p. 477.
Salon Profile, 1991 Goody Products, Inc.; Brochure; 4 Sheets Brushes & Combs.

[**] Term: **14 Years**

Primary Examiner—A. Hugo Word
Assistant Examiner—Lavone Tabor
Attorney, Agent, or Firm—Foley & Lardner

[21] Appl. No.: **36,501**

[22] Filed: **Mar. 22, 1995**

Related U.S. Application Data

[57] CLAIM

[63] Continuation-in-part of Ser. No. 7,129, Apr. 15, 1993, Pat. No. Des. 362,342.

The ornamental design for a handle for an oval brush, as shown and described.

[51] LOC (6) Cl. **04-02**

DESCRIPTION

[52] U.S. Cl. **D4/138**

[58] Field of Search D4/130, 132-134, D4/136-138; 15/143.1, 159.1, 160, 186-188; 132/313

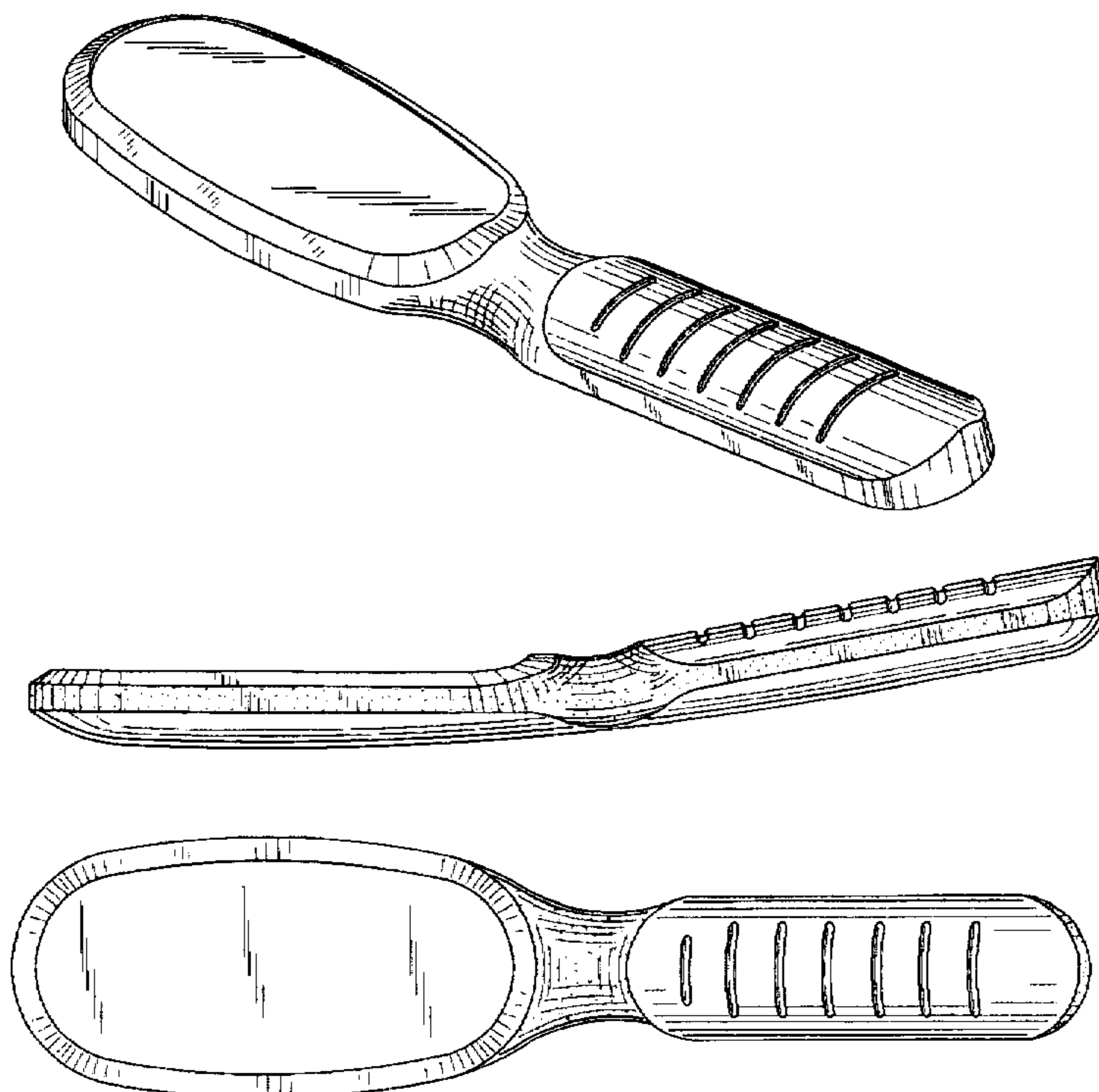
FIG. 1 is a top perspective view of a first embodiment of a handle for an oval brush showing our new design; FIG. 2 is a front elevational view thereof, the rear elevational view being a mirror image of the front view shown; FIG. 3 is a top plan view thereof; FIG. 4 is a bottom plan view thereof; FIG. 5 is a left end elevational view thereof; FIG. 6 is a right end elevational view thereof; and, FIG. 7 is a front elevational view of a second embodiment of the handle for an oval brush, the rear elevational view being a mirror image of the front view; FIG. 8 is a top plan view of FIG. 7; FIG. 9 is a bottom plan view of FIG. 7; FIG. 10 is a left end elevational view of FIG. 7; and, FIG. 11 is a right elevational view of FIG. 7.

[56] References Cited

U.S. PATENT DOCUMENTS

D. 118,422	1/1940	Weber	D4/133
D. 128,654	8/1941	Jobst	D4/138
D. 231,506	4/1974	Karabelas	D4/134
D. 244,568	6/1977	Lepisto et al.	D4/136
D. 252,298	7/1979	Baudon	D4/134
D. 263,096	2/1982	Wachtel	D4/136
D. 263,768	4/1982	Birch	D4/136
D. 307,217	4/1990	Fong	D4/134
D. 341,257	11/1993	Lunderman	D4/138
D. 362,342	9/1995	Chan	D4/133
3,727,260	4/1973	Spydevold	15/159.1

1 Claim, 5 Drawing Sheets



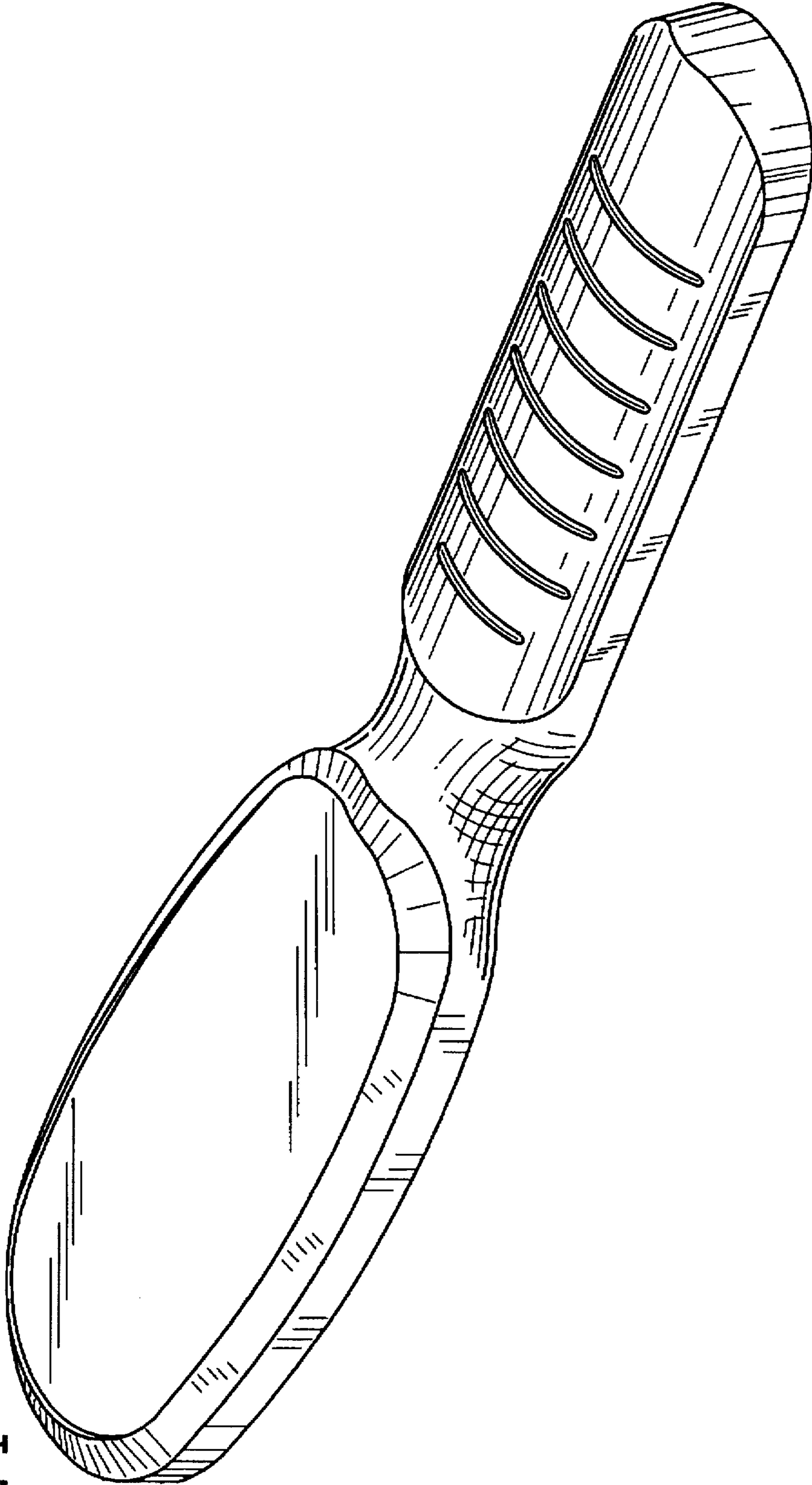


FIG. 1

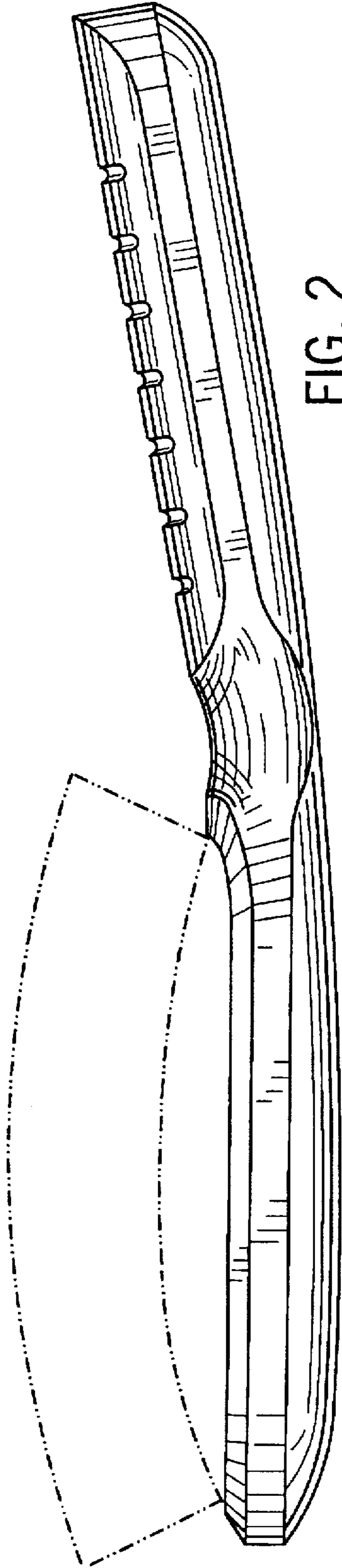


FIG. 2

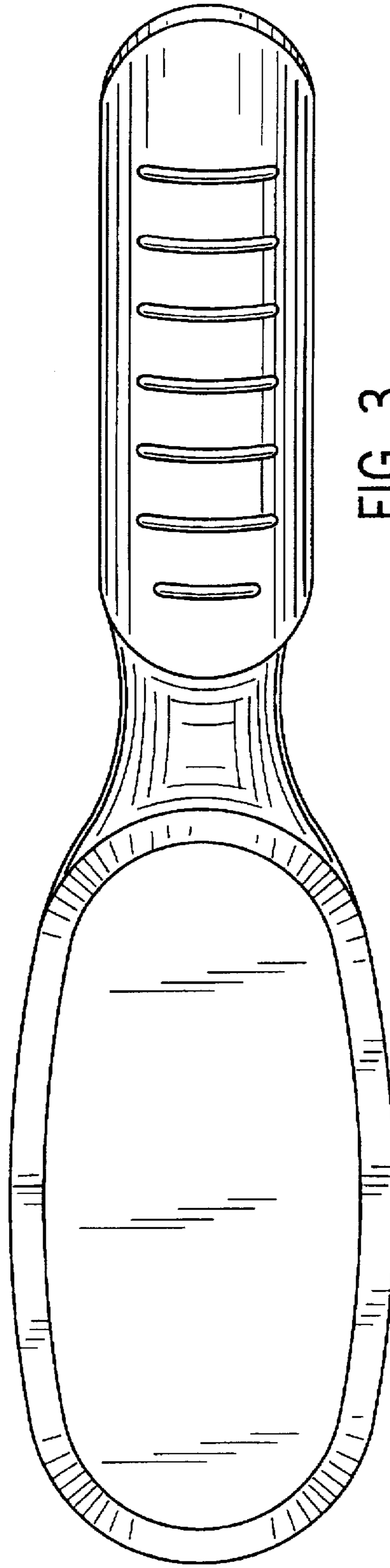


FIG. 3

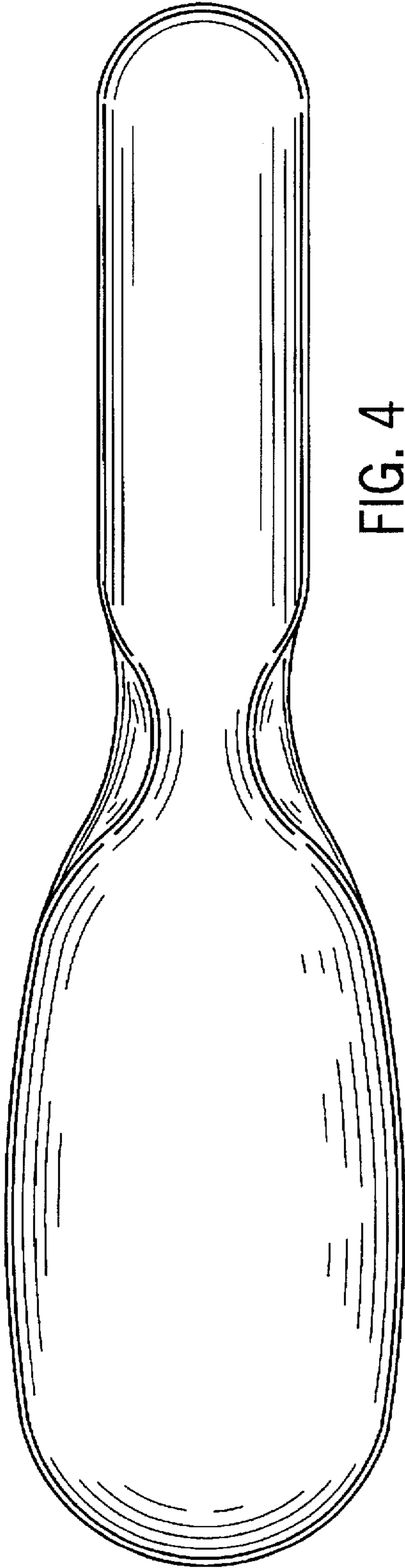


FIG. 4

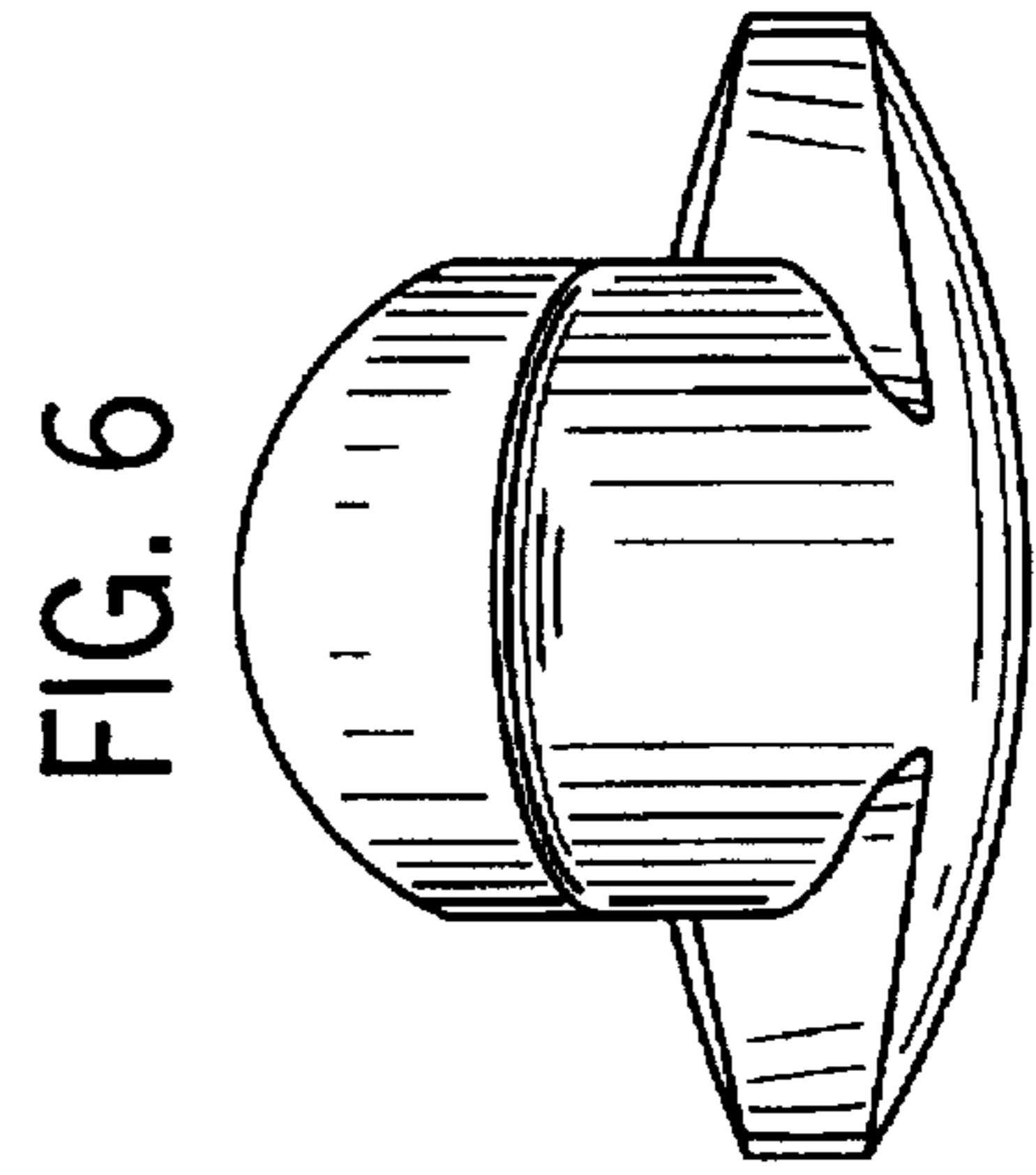


FIG. 6

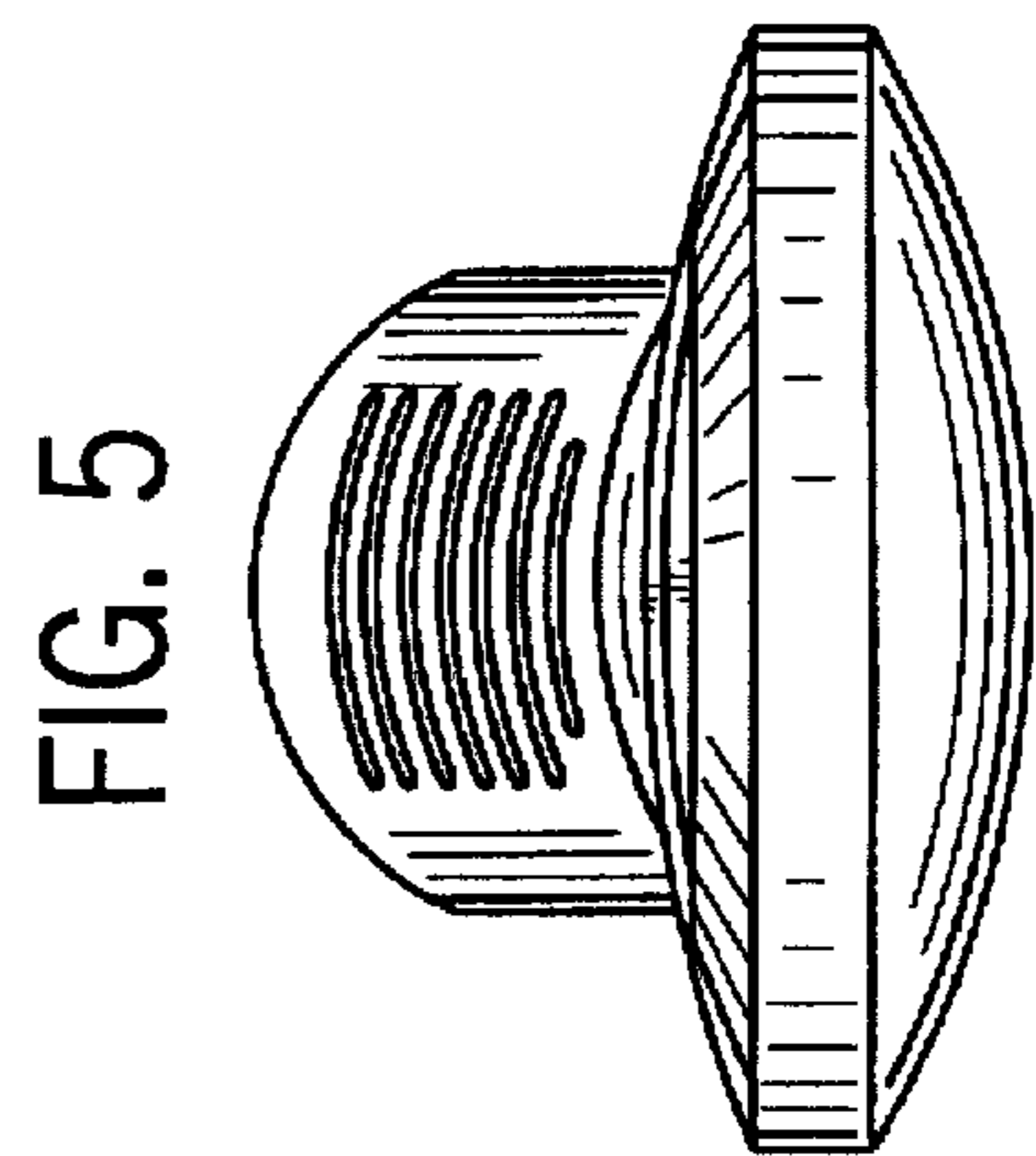


FIG. 5

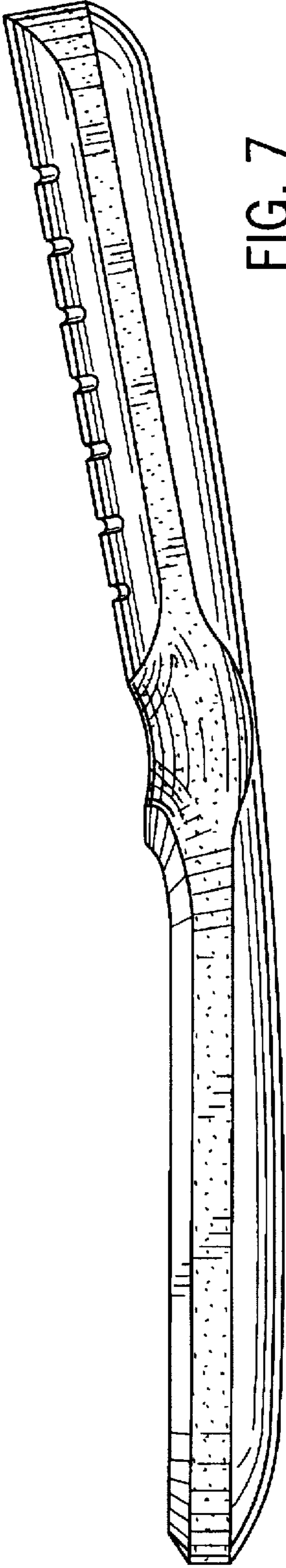


FIG. 7

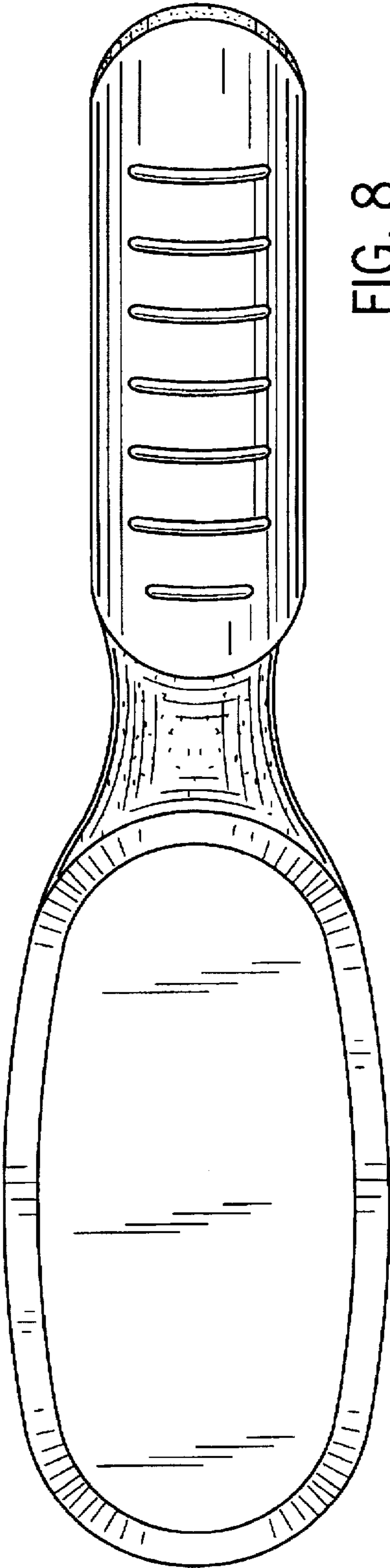


FIG. 8

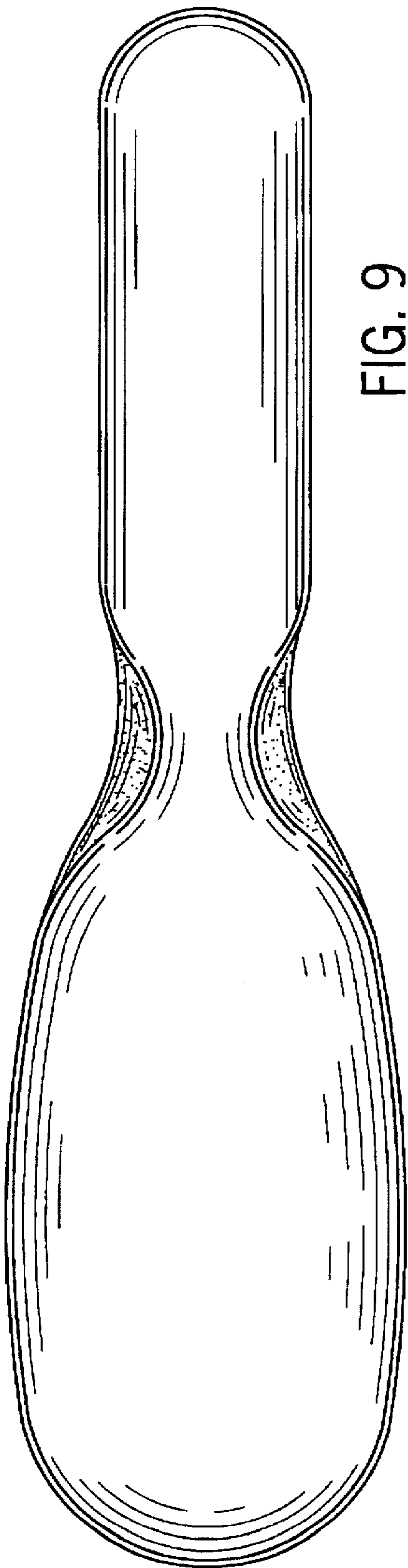


FIG. 9

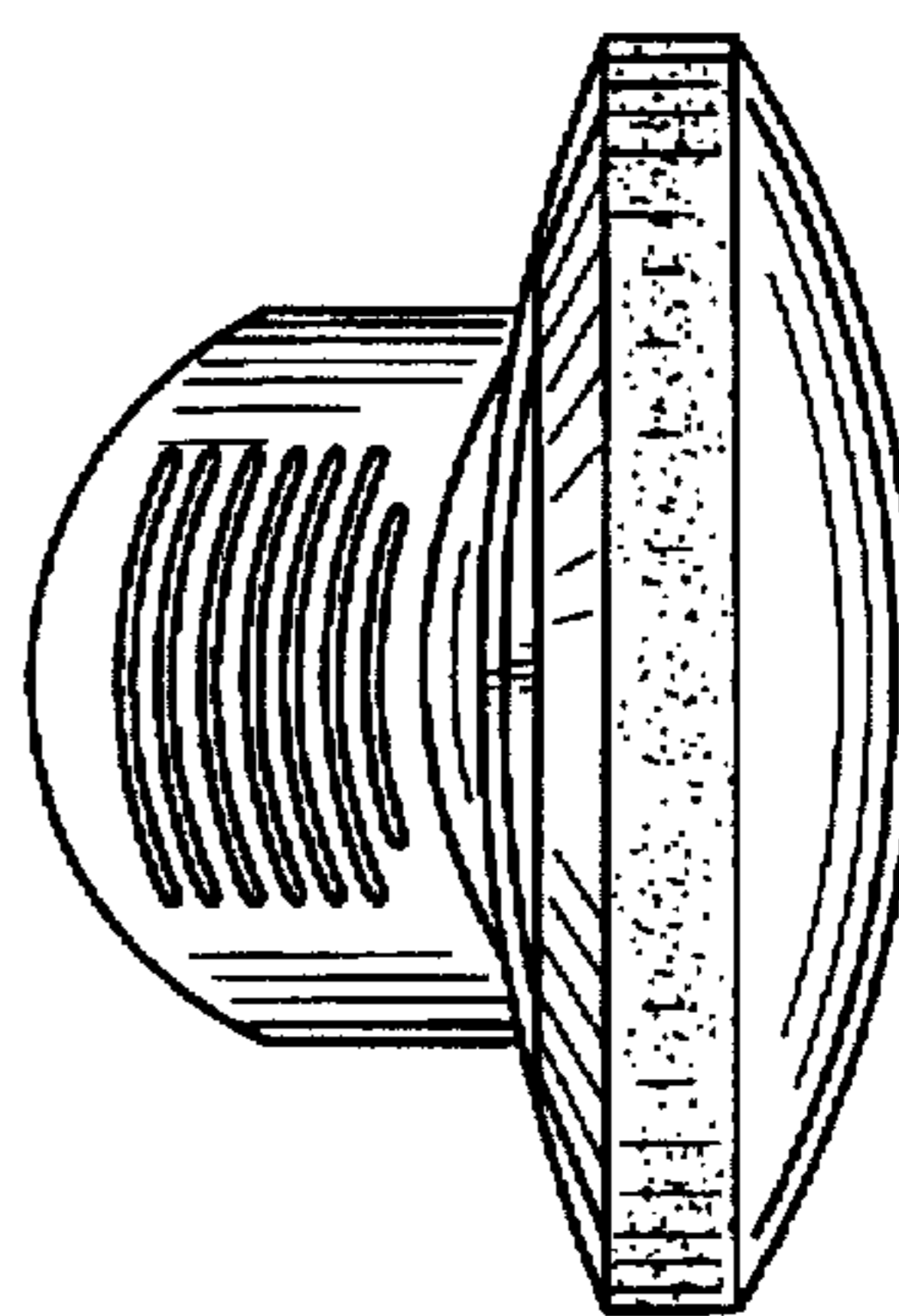


FIG. 10

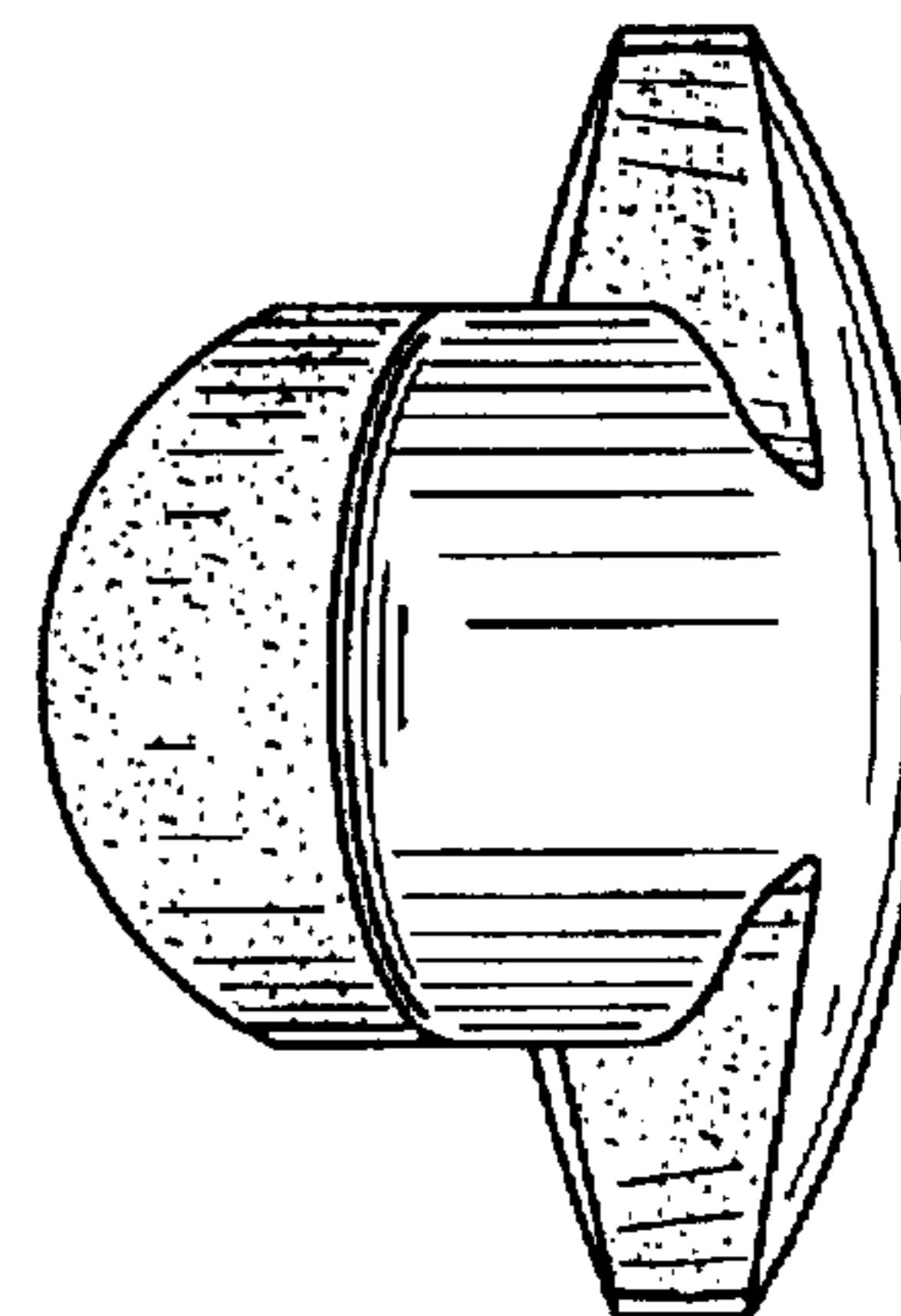


FIG. 11